



US00D418544S

United States Patent [19]

Hamilton et al.

[11] Patent Number: **Des. 418,544**

[45] Date of Patent: **** Jan. 4, 2000**

[54] **BOOKSTAND**

[75] Inventors: **Chris Hamilton**, Atlanta, Ga.; **Deborah Base**, Boynton Beach; **Denise Tedaldi**, Jupiter, both of Fla.

[73] Assignee: **Levenger Company**, Delray Beach, Fla.

[**] Term: **14 Years**

[21] Appl. No.: **29/105,426**

[22] Filed: **May 25, 1999**

[51] **LOC (7) Cl.** **19-02**

[52] **U.S. Cl.** **D19/91; D19/90**

[58] **Field of Search** **D19/65, 75, 78, D19/88, 90, 91, 99, 100; D6/419, 420, 431, 475, 490; 281/45, 51; 248/441.1, 442.2, 445, 446, 463, 450, 453-455, 456, 459; 211/42, 43**

[56] **References Cited**

U.S. PATENT DOCUMENTS

D. 46,314 8/1914 Levy D19/91 X

D. 164,483	9/1951	Flannery	D19/91
D. 185,103	5/1959	Sutton	D6/431
D. 221,191	7/1971	Nutt	D19/91
D. 230,376	2/1974	Andrew	D19/91
2,222,665	11/1940	Hoenigsberg	248/459
2,490,356	12/1949	Hummel	248/463
3,460,795	8/1969	Dahlin	248/452
5,765,799	6/1998	Webber	248/453

Primary Examiner—Martie K. Holtje
Attorney, Agent, or Firm—Quarles & Brady LLP

[57] **CLAIM**

The oramental design for an bookstand, as shown and described.

DESCRIPTION

FIG. 1 is a perspective view of a bookstand showing our new design.
FIG. 2 is a right side elevational view.
FIG. 3 is a left side elevational view.
FIG. 4 is a top plan view.
FIG. 5 is a bottom plan view.
FIG. 6 is a front elevational view; and,
FIG. 7 is a rear elevational view.

1 Claim, 4 Drawing Sheets

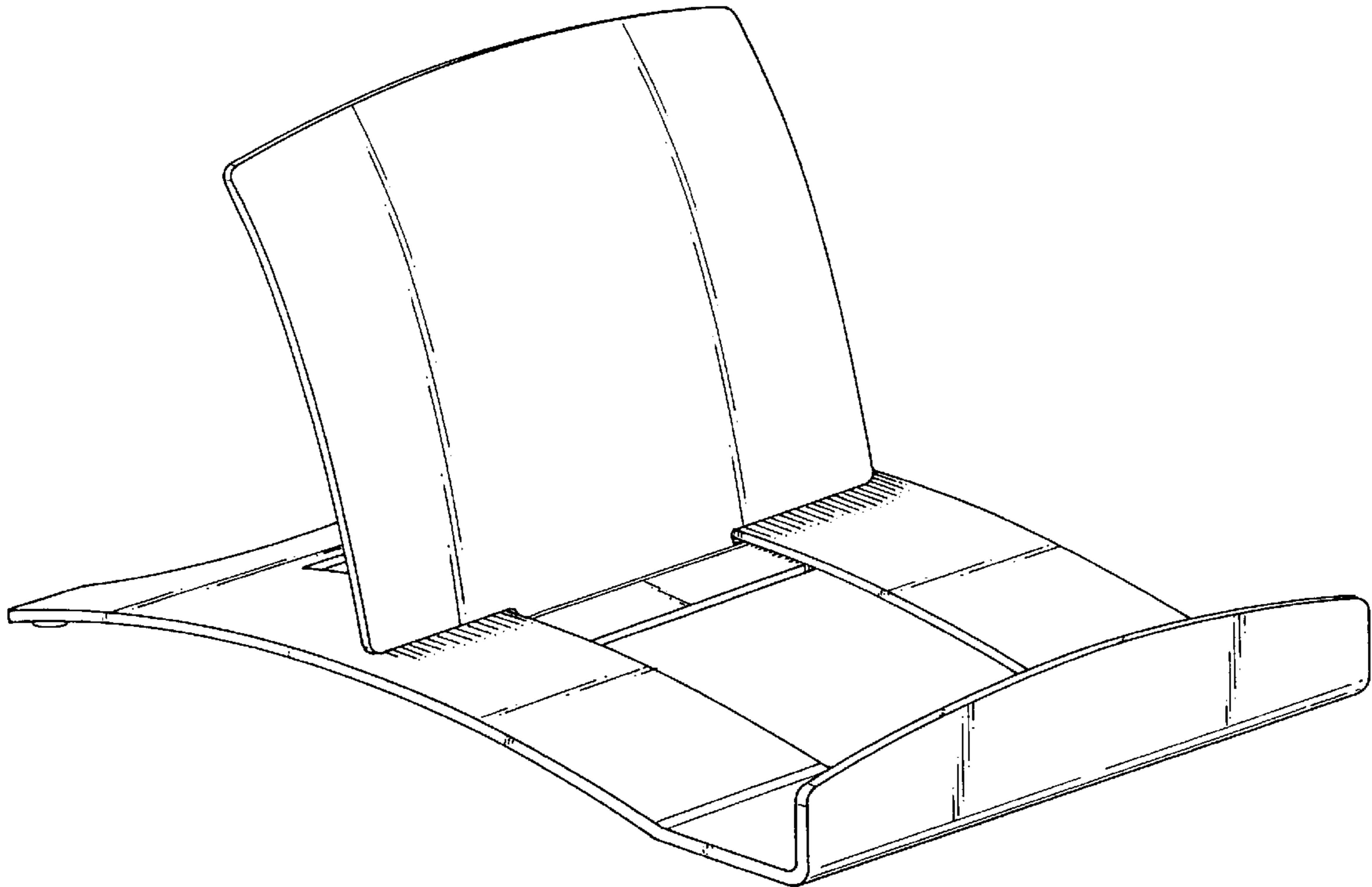
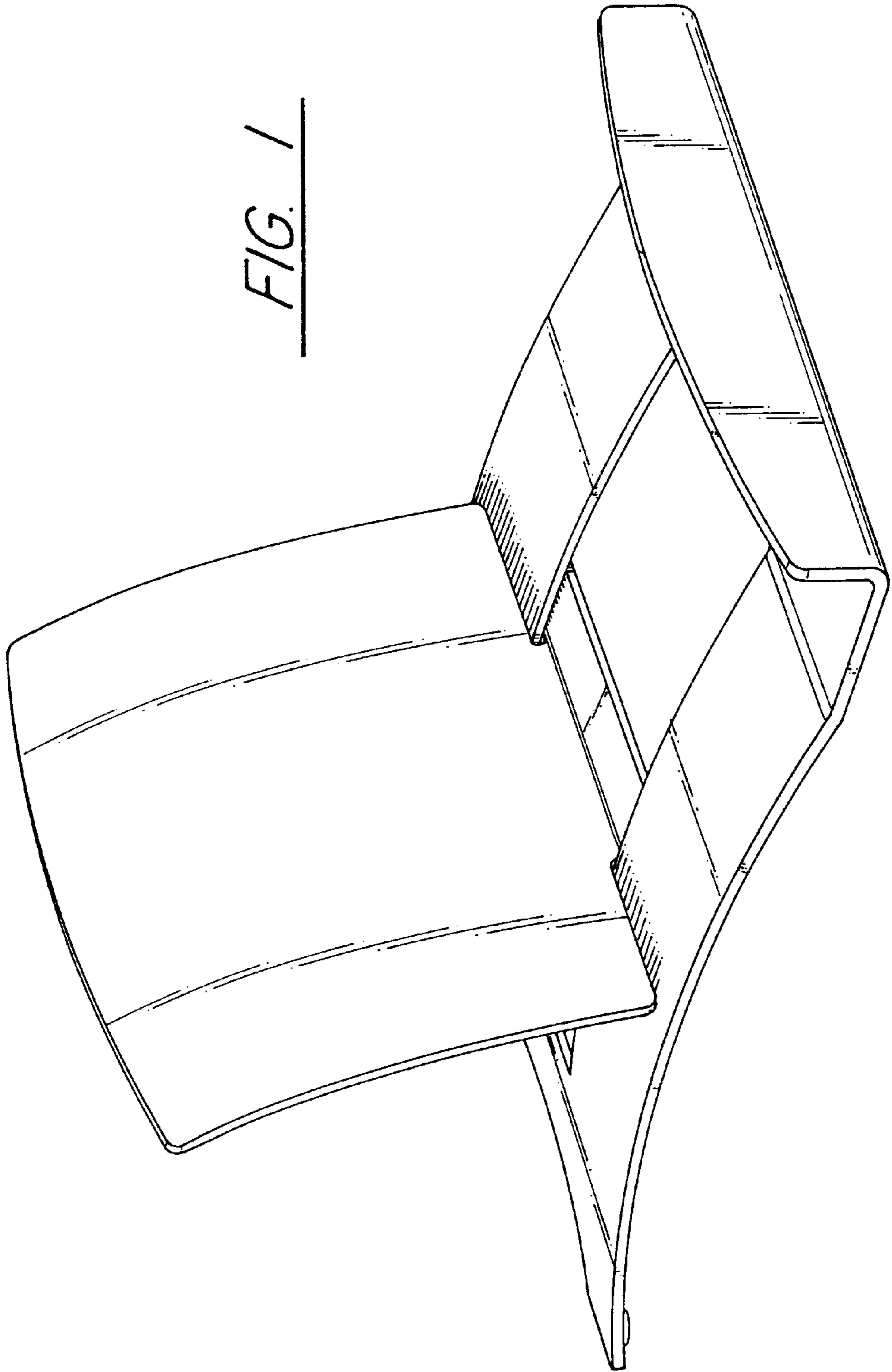


FIG. 1



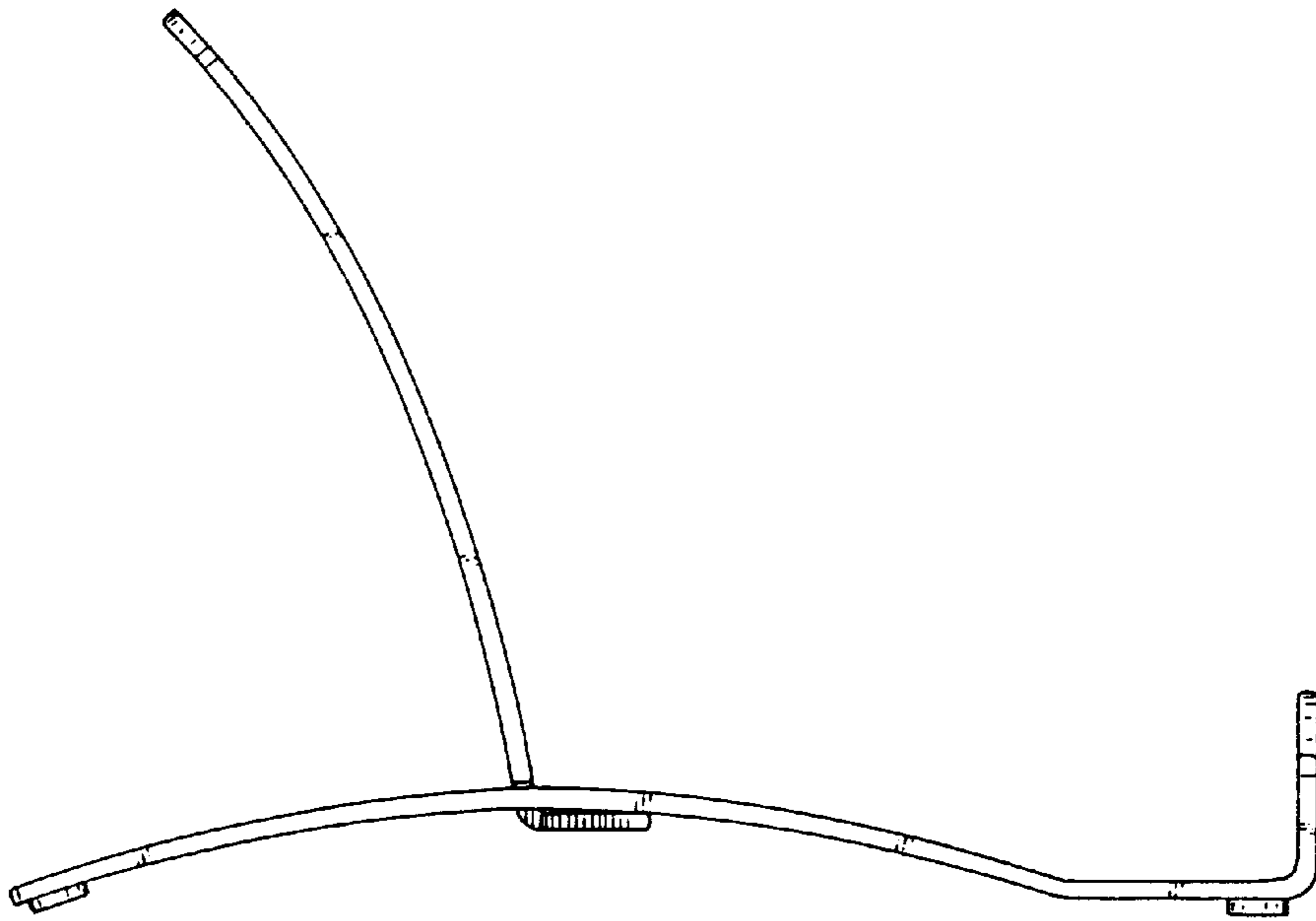


FIG. 2

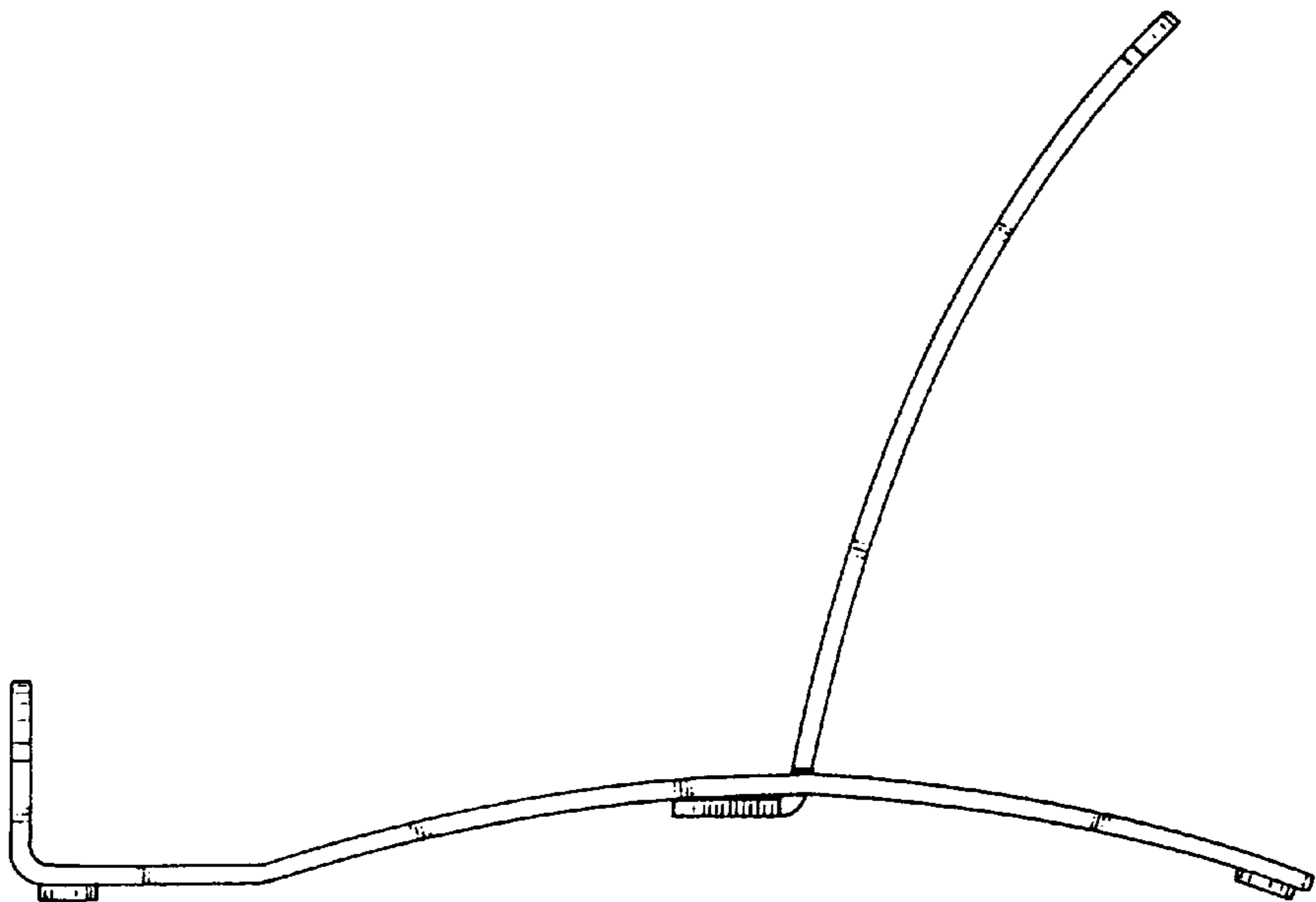


FIG. 3

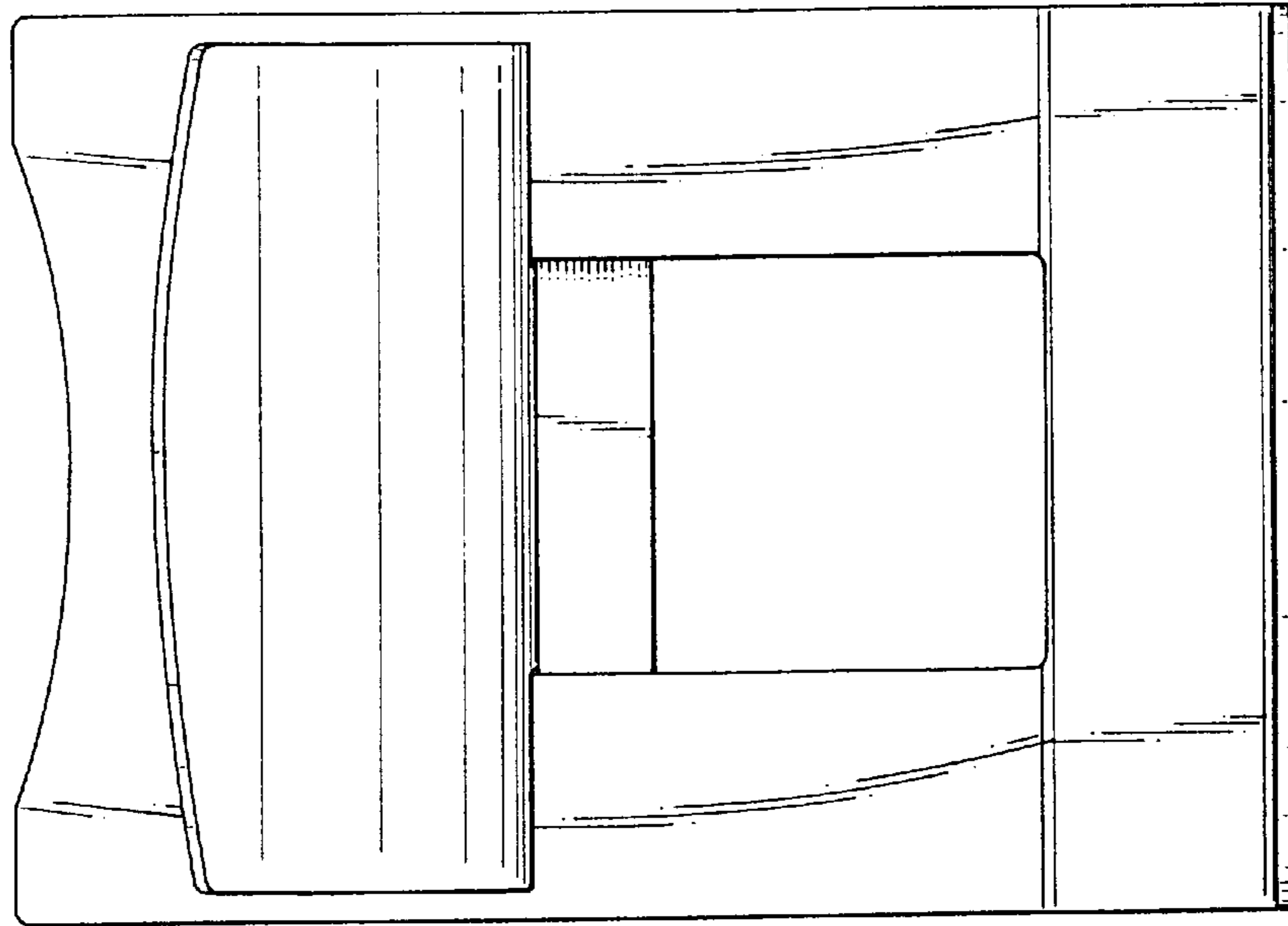


FIG. 4

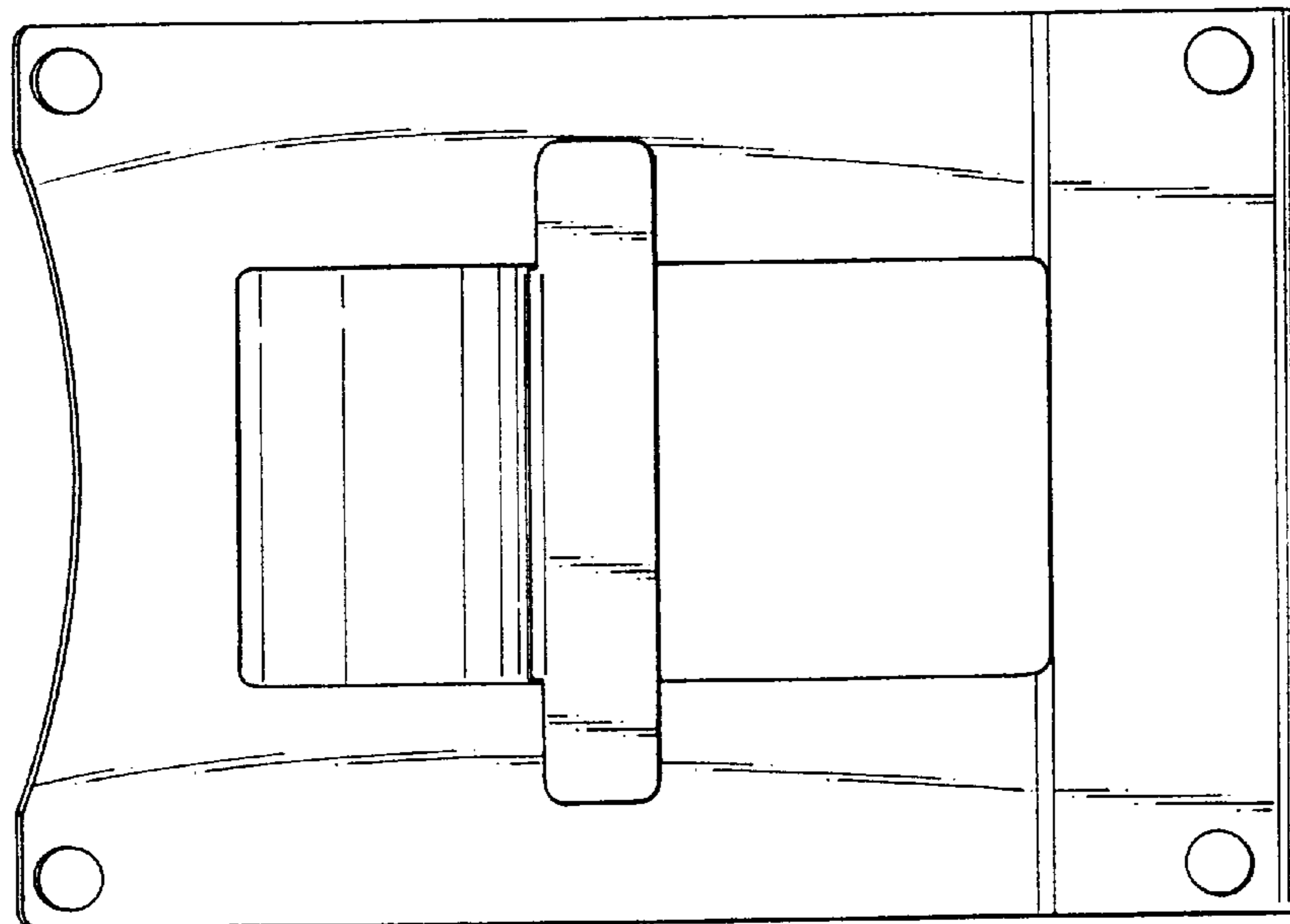


FIG. 5

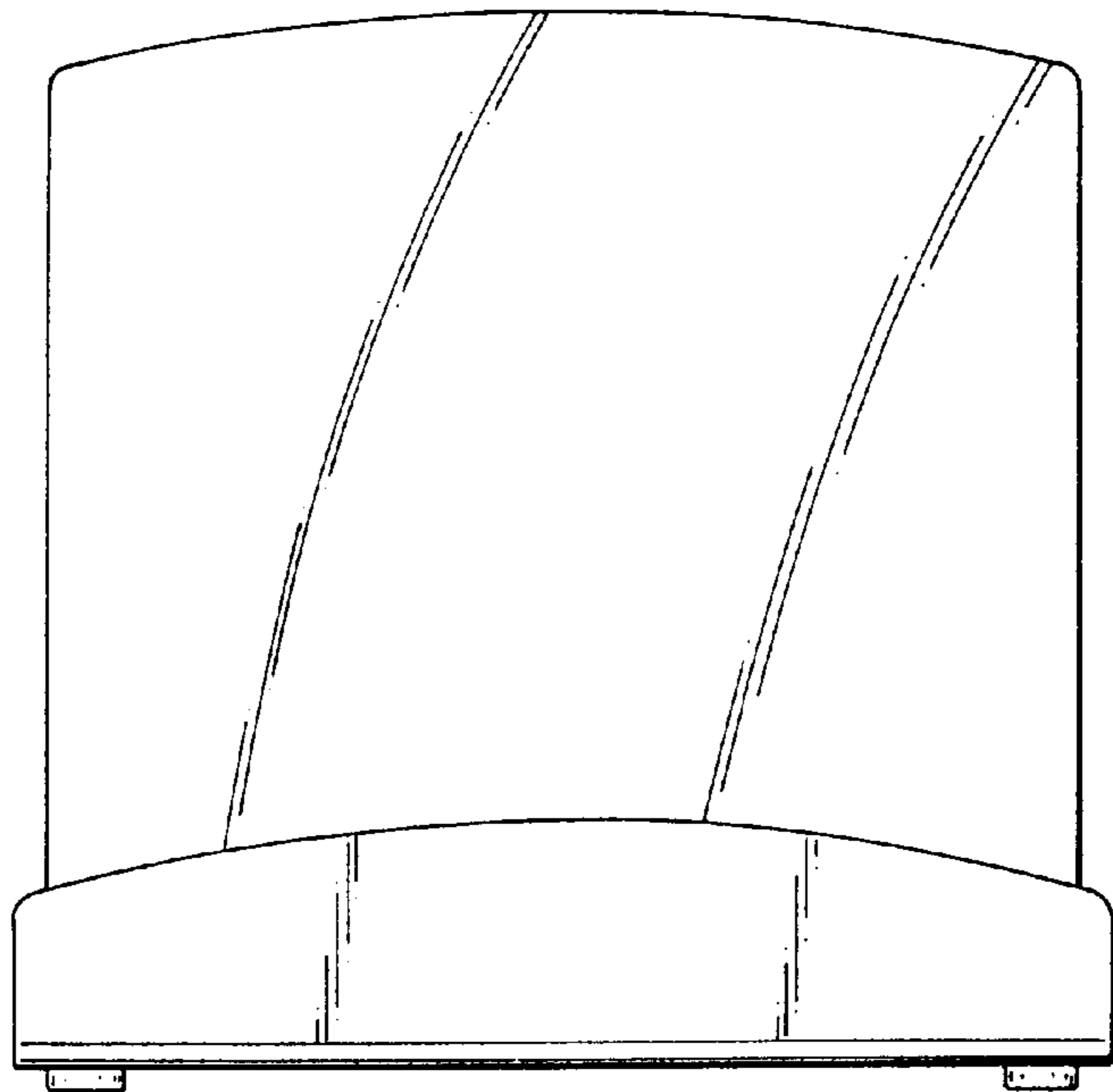


FIG. 6

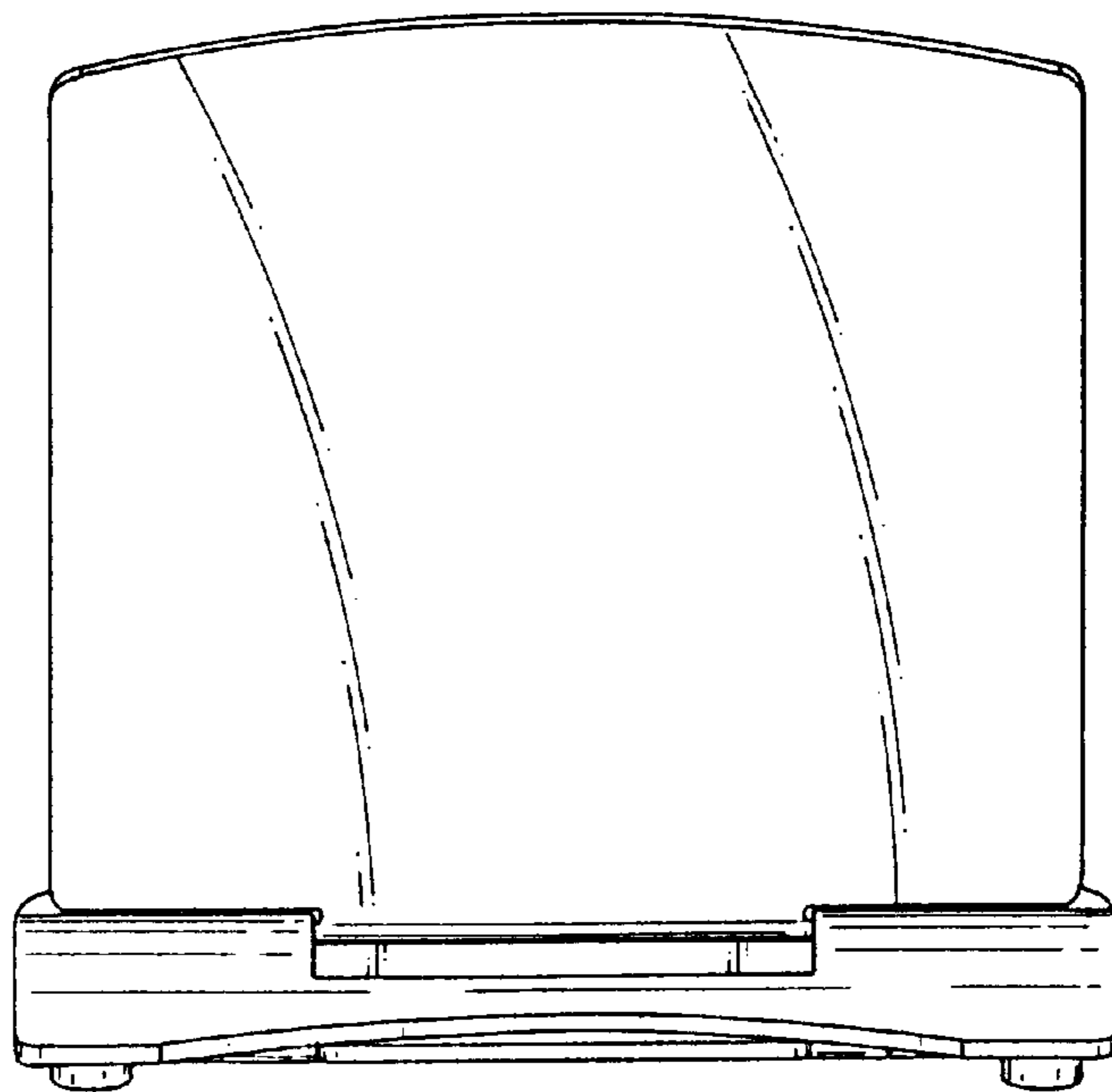


FIG. 7