



US00D418530S

United States Patent [19]

[11] Patent Number: **Des. 418,530**

Tanaka et al.

[45] Date of Patent: **** Jan. 4, 2000**

[54] **SINGLE-LENS REFLEX CAMERA BODY**

D. 339,367	9/1993	Yamamoto	D16/217
D. 382,000	8/1997	Watanabe	D16/217
D. 385,896	11/1997	Matsuda	D16/217
4,406,533	9/1983	Yamamoto	396/206

[75] Inventors: **Noboru Tanaka; Shintaro Ohshima,**
both of Yokohama, Japan

[73] Assignee: **Canon Kabushiki Kaisha,** Tokyo,
Japan

Primary Examiner—Adir Aronovich
Attorney, Agent, or Firm—Fitzpatrick, Cella, Harper &
Scinto

[**] Term: **14 Years**

[57] CLAIM

[21] Appl. No.: **29/099,485**

The ornamental design for a single-lens reflex camera body,
as shown and described.

[22] Filed: **Jan. 22, 1999**

[30] Foreign Application Priority Data

DESCRIPTION

Jul. 24, 1998 [JP] Japan 10/021321

FIG. 1 is a front view of a single-lens reflex camera body
showing our new design;

[51] **LOC (7) Cl.** **16-01**

FIG. 2 is a rear view thereof;

[52] **U.S. Cl.** **D16/217**

FIG. 3 is a top plan view thereof;

[58] **Field of Search** D16/200–205,
D16/208, 209, 216–218; 396/354–359,
535–543

FIG. 4 is a bottom plan view thereof;

FIG. 5 is a left side view thereof;

FIG. 6 is a right side view thereof; and,

FIG. 7 is a perspective view thereof.

[56] References Cited

U.S. PATENT DOCUMENTS

D. 328,755 8/1992 Kumakura et al. D16/217

1 Claim, 5 Drawing Sheets

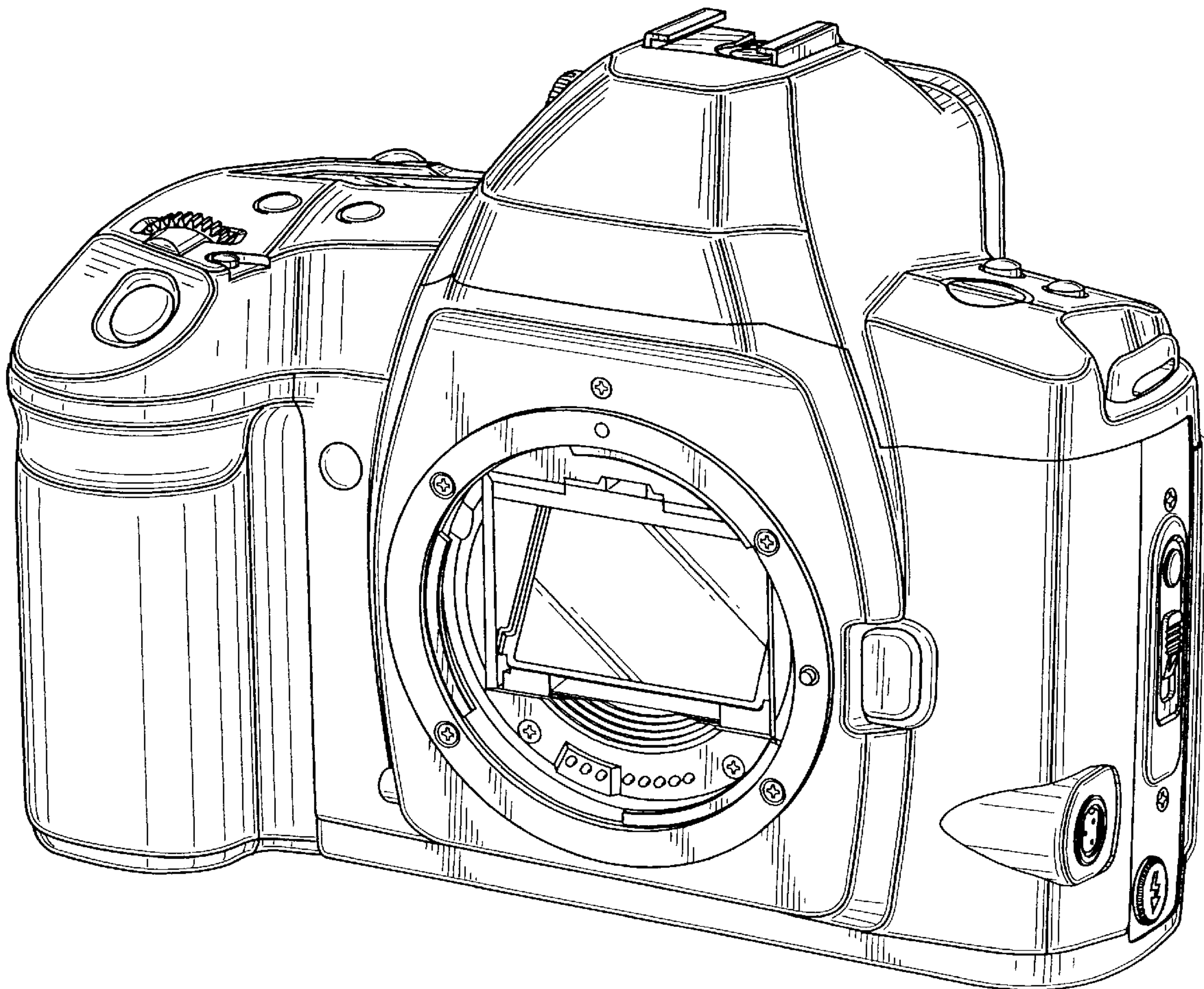


FIG. 1

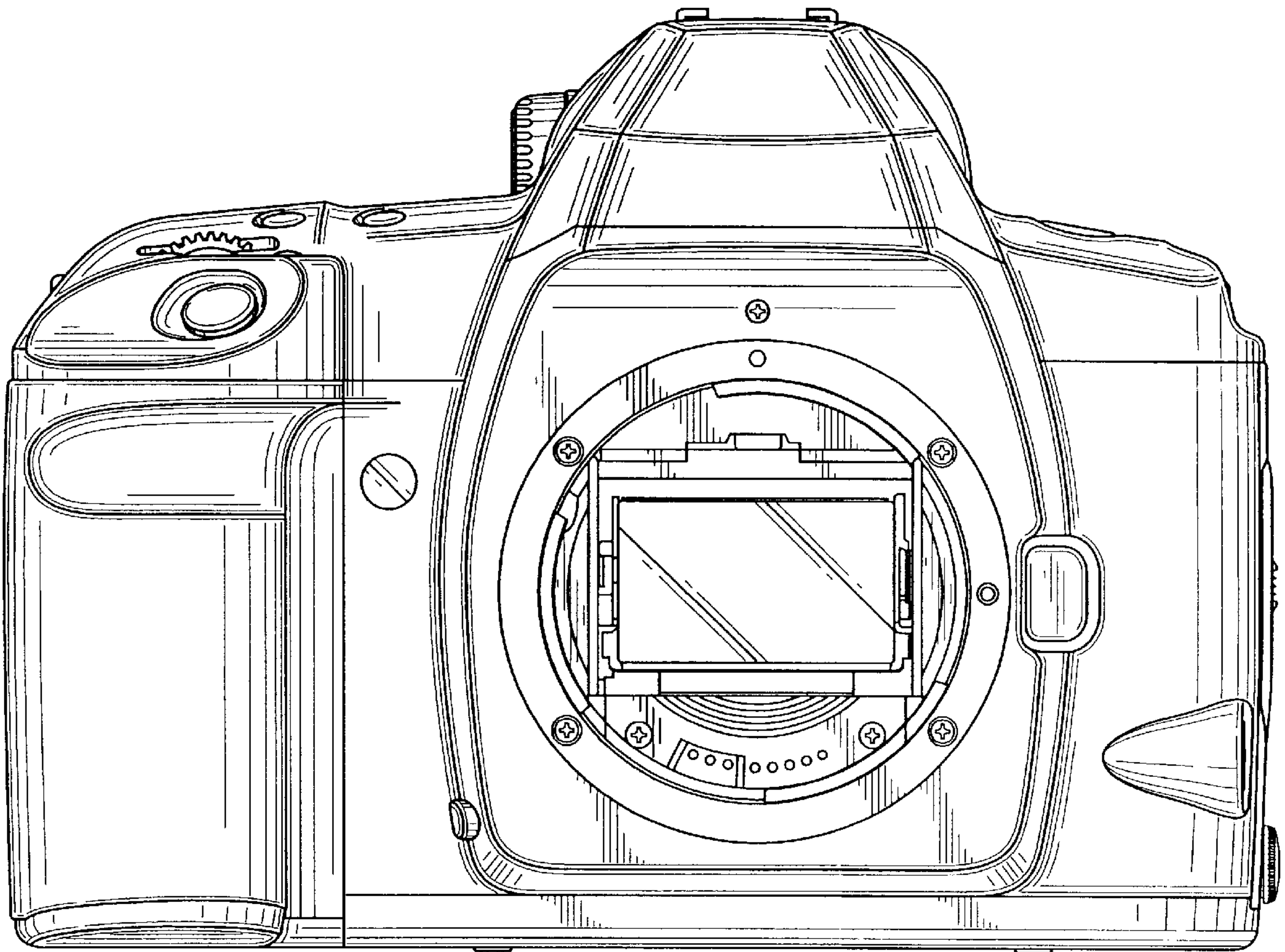


FIG. 2

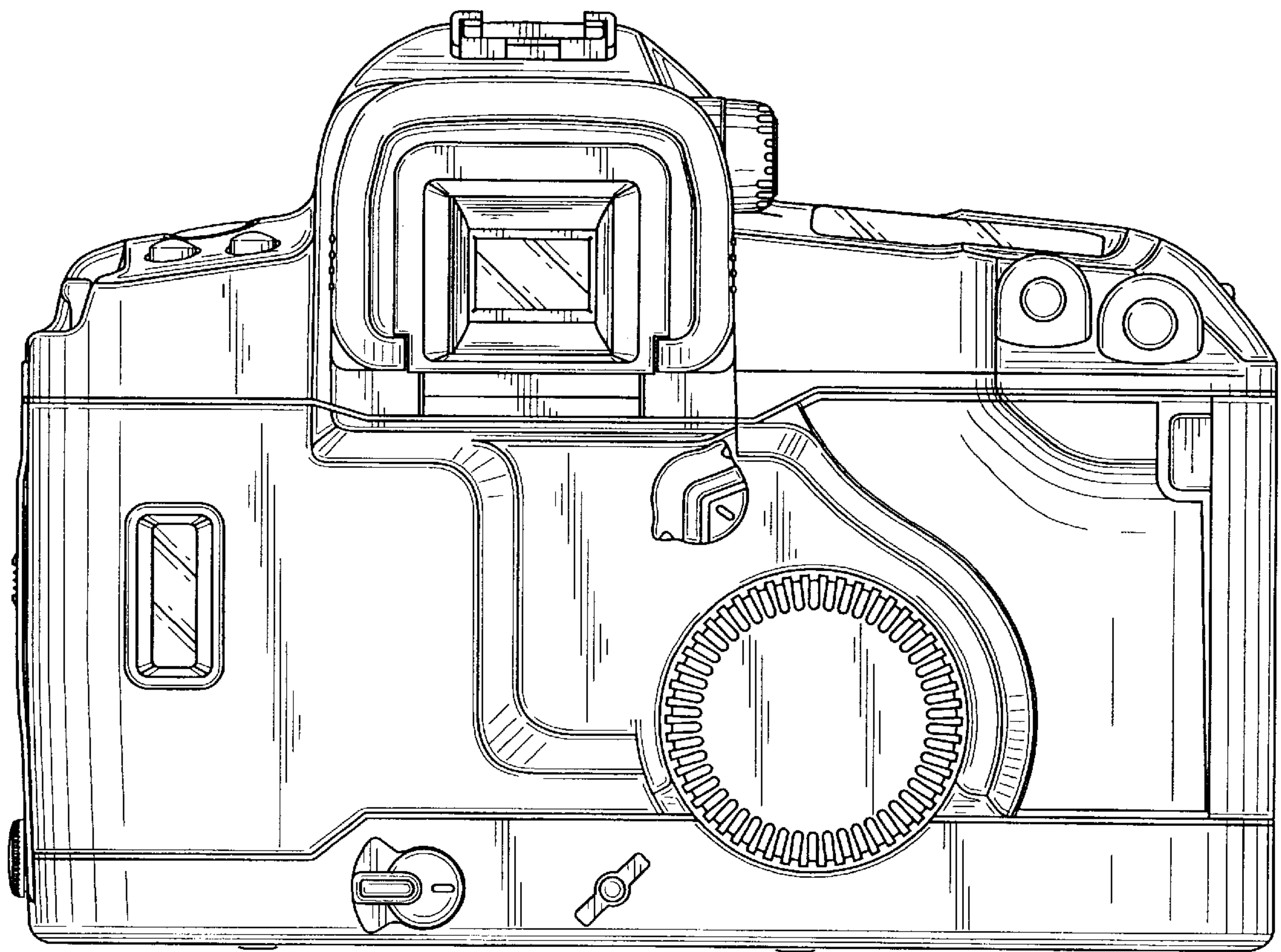


FIG. 3

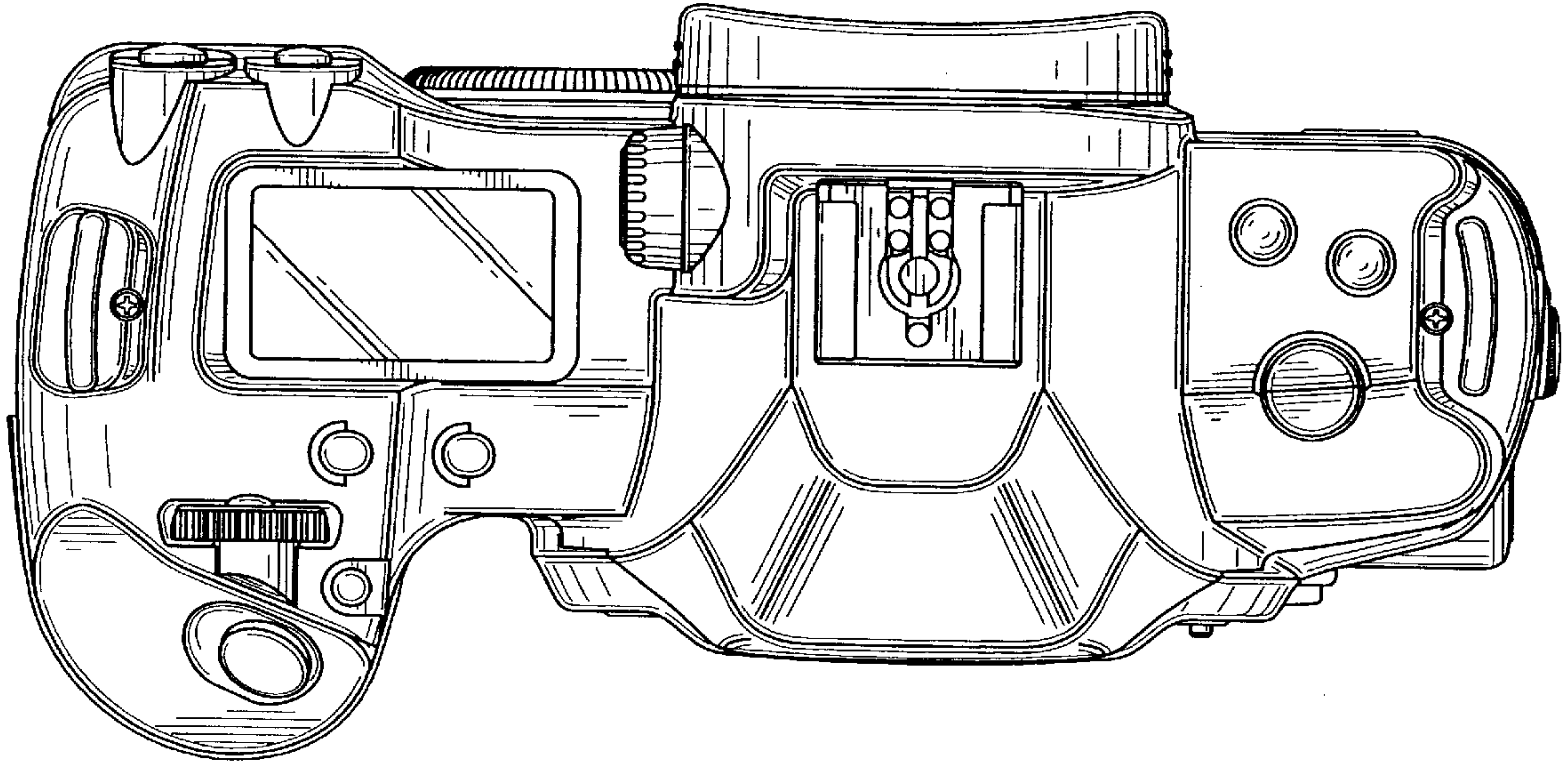


FIG. 4

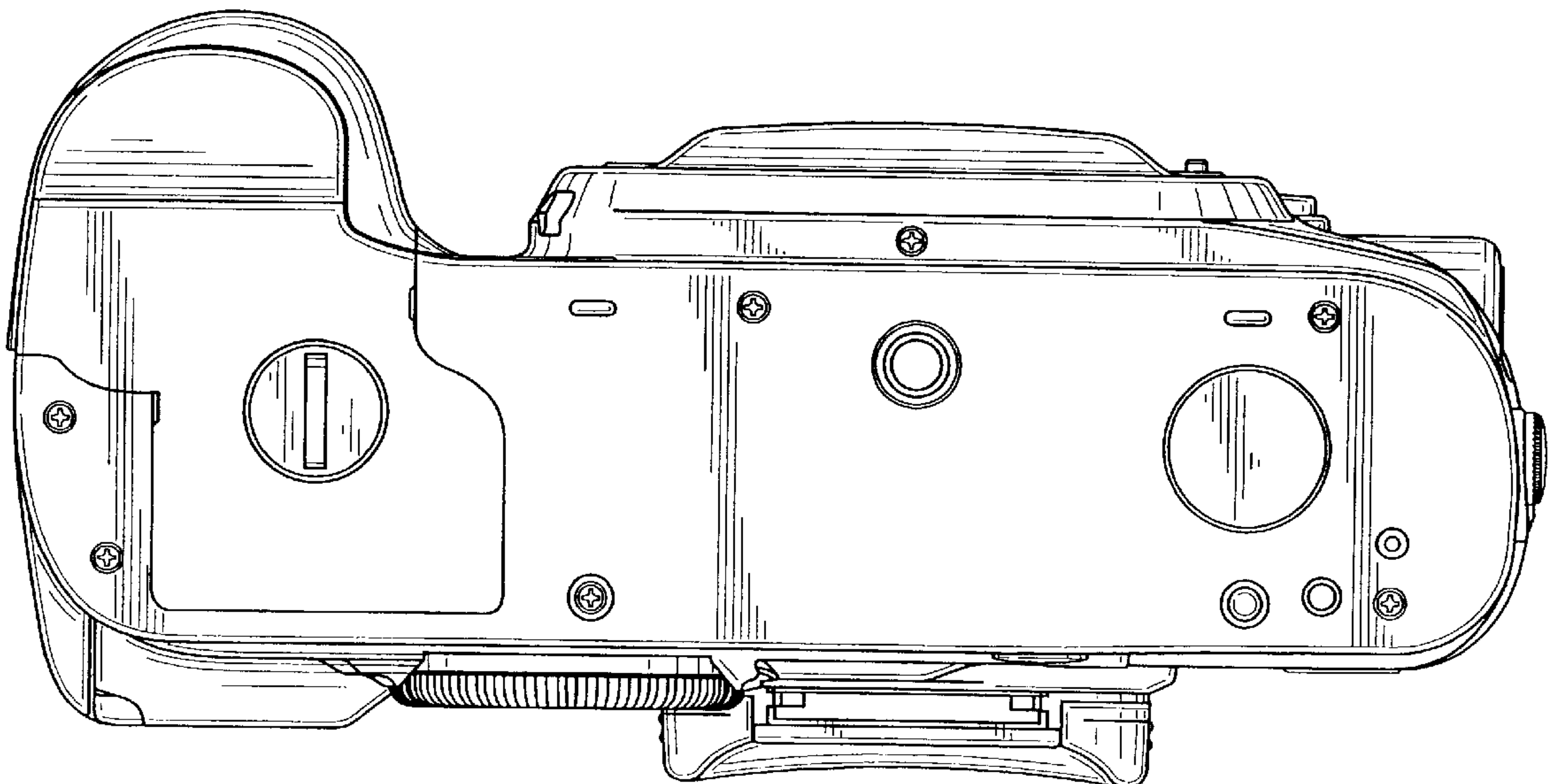


FIG. 5

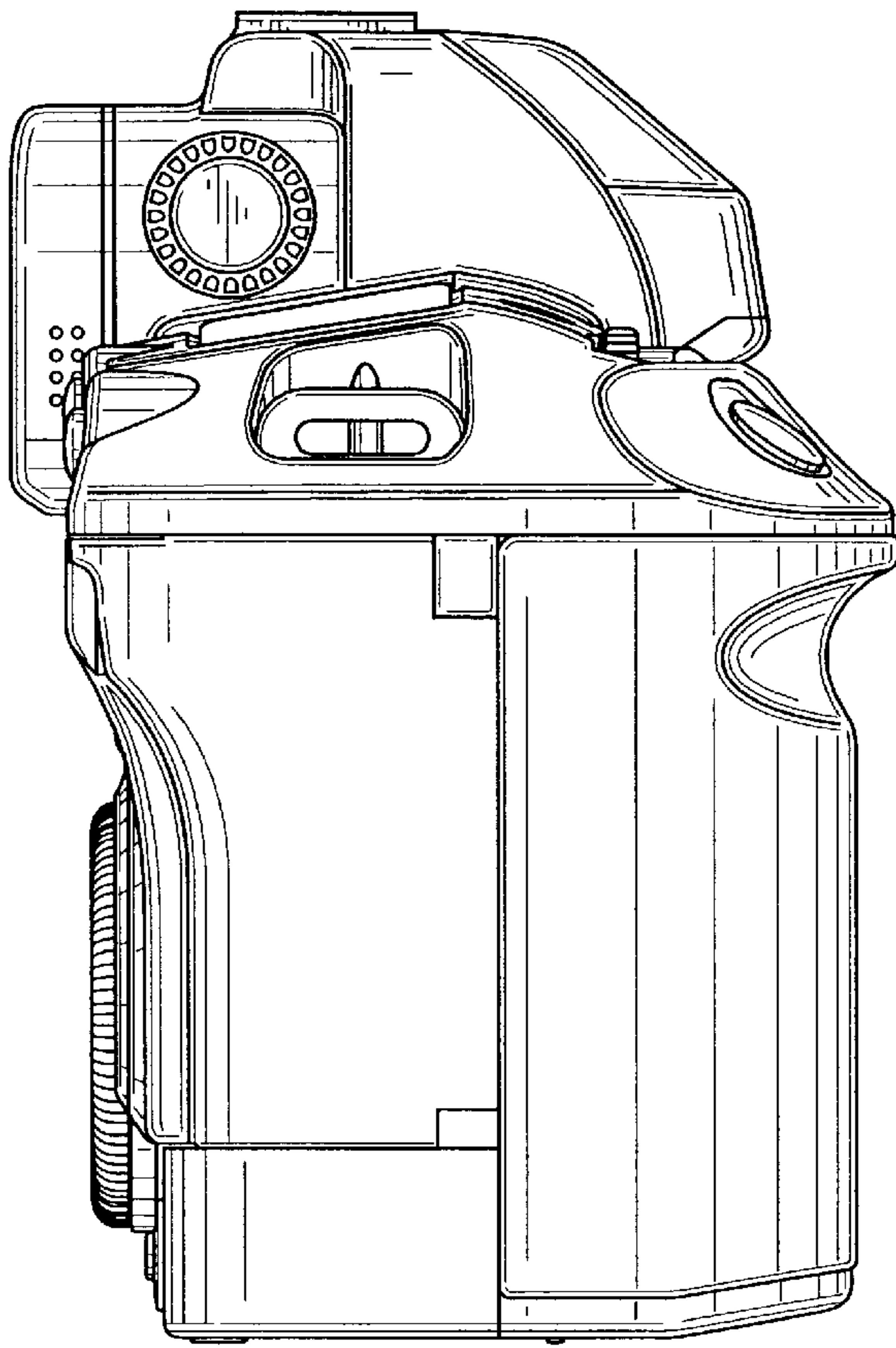


FIG. 6

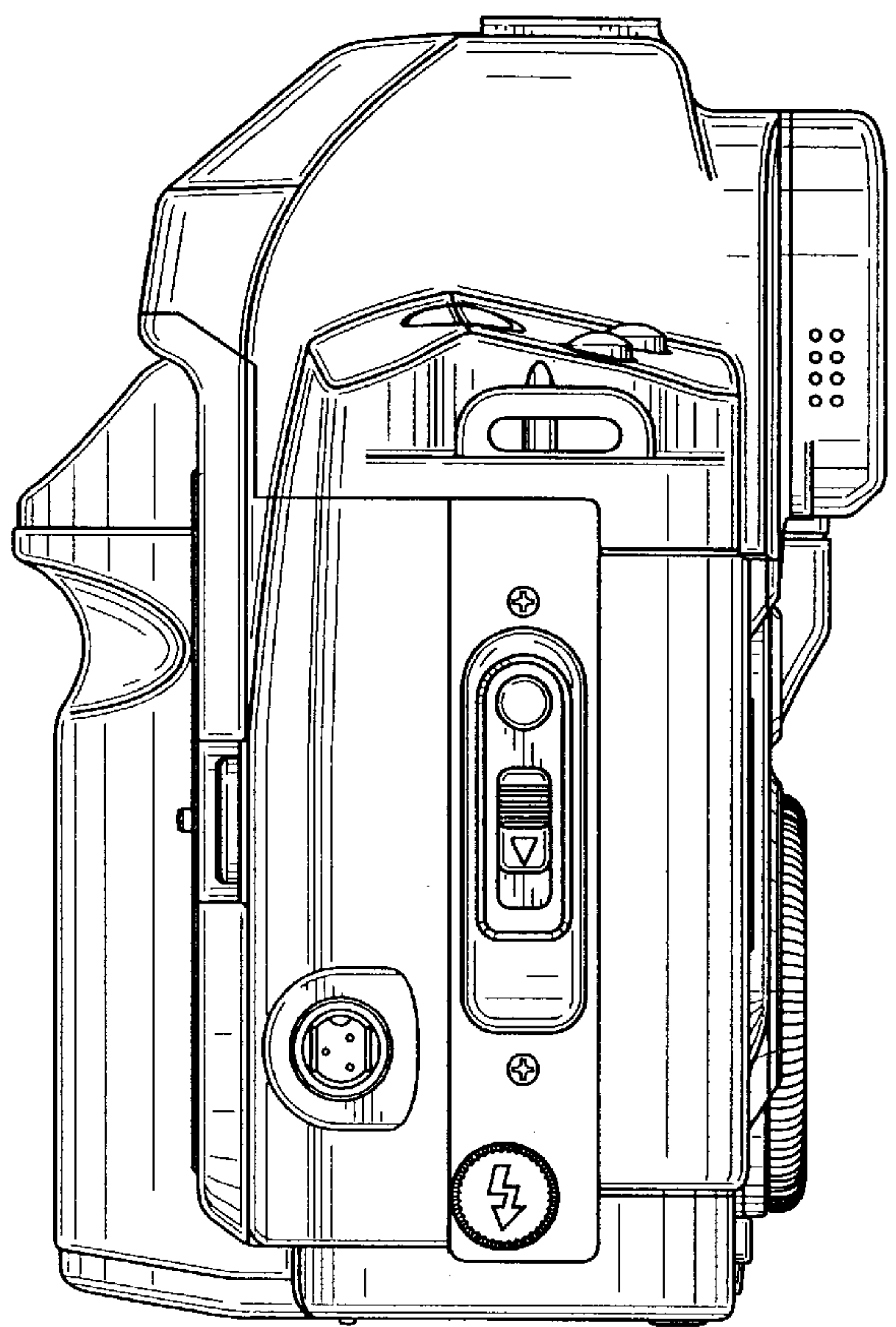


FIG. 7

