



US00D418529S

# United States Patent [19]

Nihei et al.

[11] Patent Number: **Des. 418,529**

[45] Date of Patent: **\*\* \*Jan. 4, 2000**

[54] CAMERA

[75] Inventors: **Kazuhiro Nihei**, Tokyo; **Koujiro Yoshida**, Hino, both of Japan

[73] Assignee: **Konica Corporation**, Tokyo, Japan

[\*] Notice: This patent is subject to a terminal disclaimer.

[\*\*] Term: **14 Years**

[21] Appl. No.: **29/092,916**

[22] Filed: **Aug. 31, 1998**

### [30] Foreign Application Priority Data

Mar. 4, 1998 [JP] Japan ..... 10-6038

[51] LOC (7) Cl. .... **16-01**

[52] U.S. Cl. .... **D16/208**

[58] Field of Search ..... D16/200-205, D16/208, 209, 216-218; 396/6-13, 535-543

### [56] References Cited

#### U.S. PATENT DOCUMENTS

D. 345,987 4/1994 Nihei ..... D16/209

D. 353,605 12/1994 Horikiri et al. .... D16/208

D. 353,607 12/1994 Kamitani ..... D16/208  
D. 382,888 8/1997 Isozaki ..... D16/208  
5,537,176 7/1996 Hara et al. .... 396/6

### OTHER PUBLICATIONS

Popular Photography, p. 134 (Kodak's 35 mm Fling), Dec. 1988.

*Primary Examiner*—Adir Aronovich  
*Attorney, Agent, or Firm*—Frishauf, Holtz, Goodman, Langer & Chick, P.C.

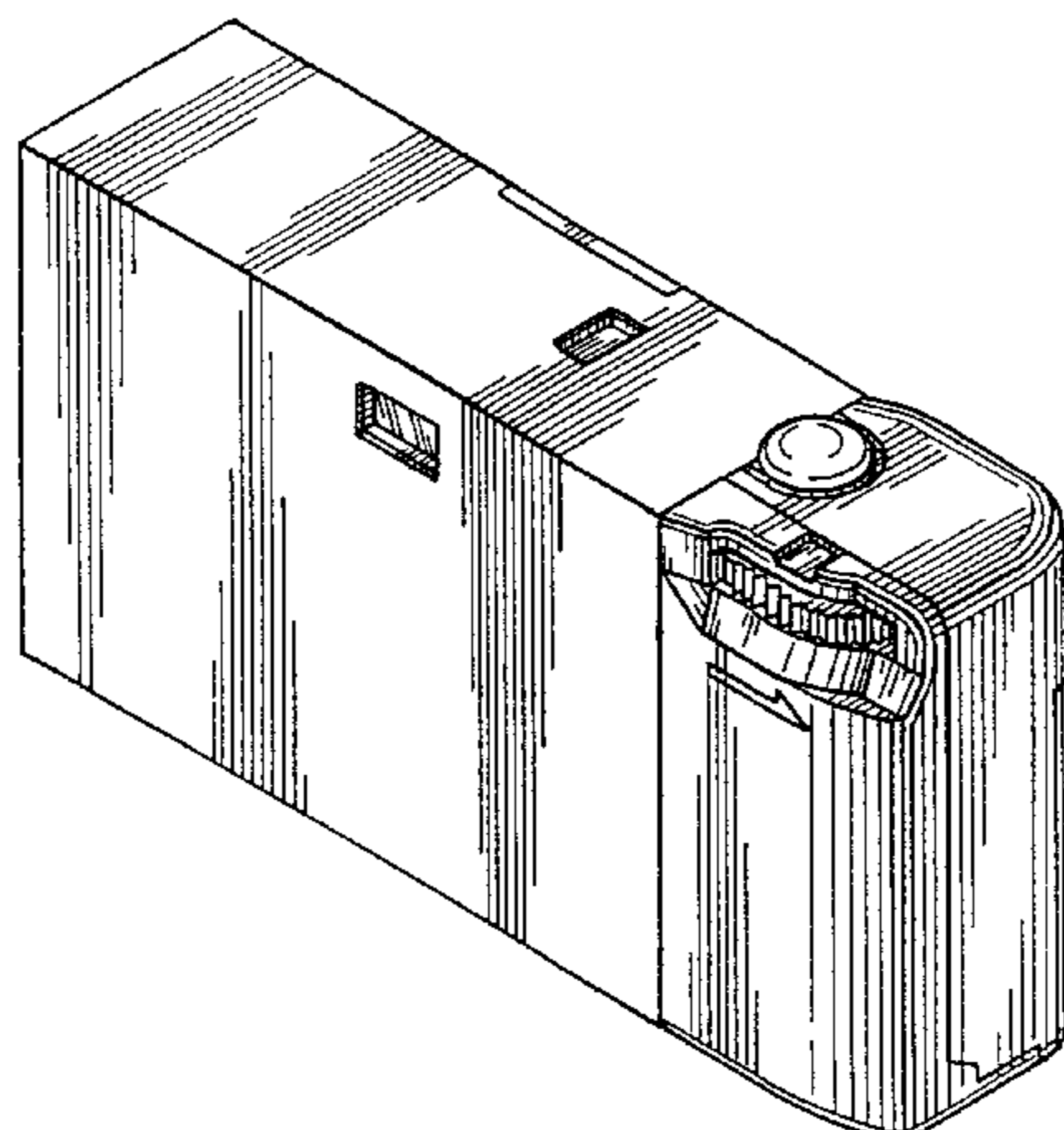
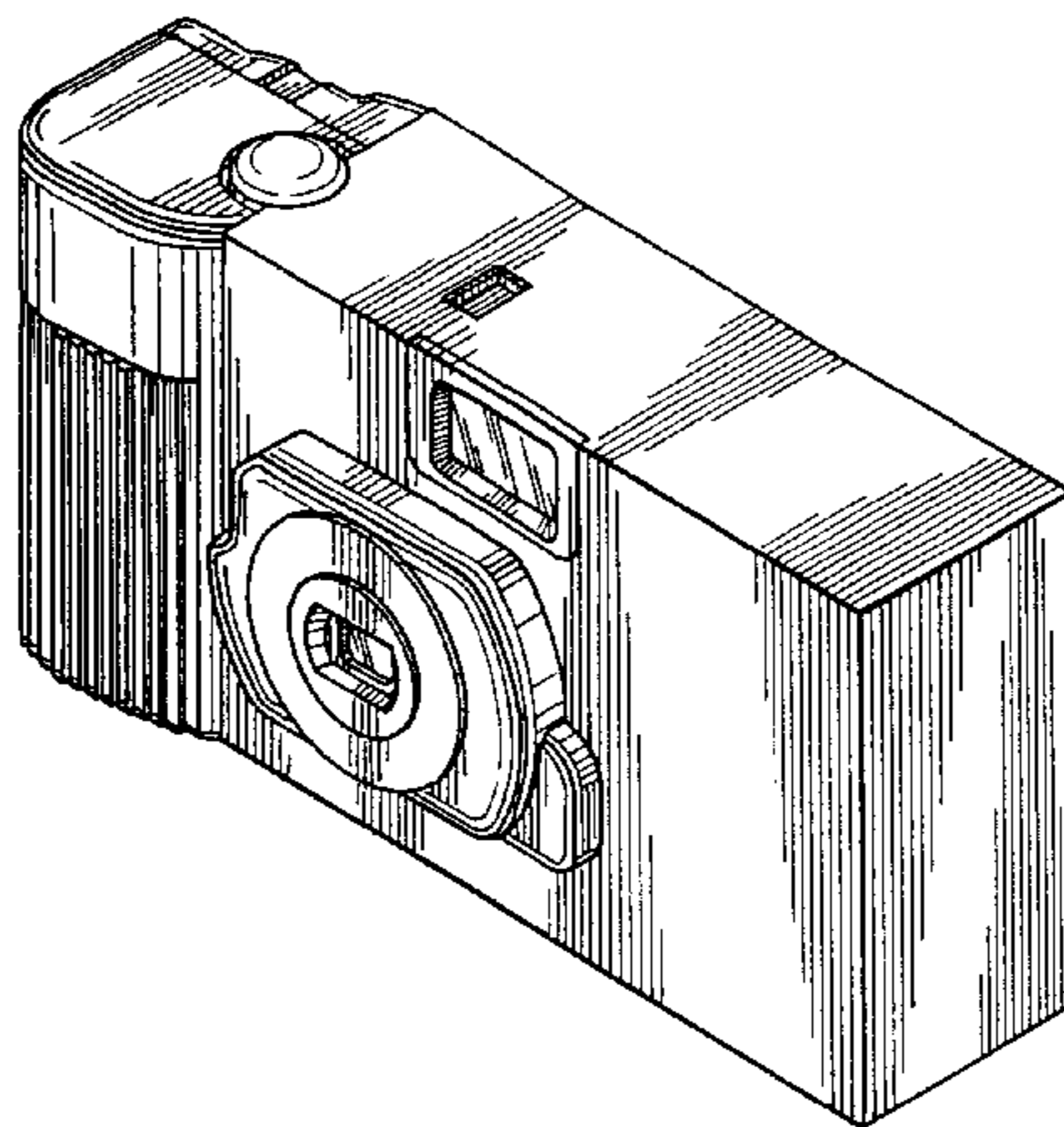
### [57] CLAIM

The ornamental design for a camera, as shown.

### DESCRIPTION

FIG. 1 is a front elevational view of a camera showing our new design;  
FIG. 2 is a rear elevational view thereof;  
FIG. 3 is a left side view thereof;  
FIG. 4 is a right side view thereof;  
FIG. 5 is a top plan view thereof;  
FIG. 6 is a bottom plan view thereof;  
FIG. 7 is a front, right side, top perspective view thereof; and,  
FIG. 8 is a rear, left side, top perspective view thereof.

**1 Claim, 2 Drawing Sheets**



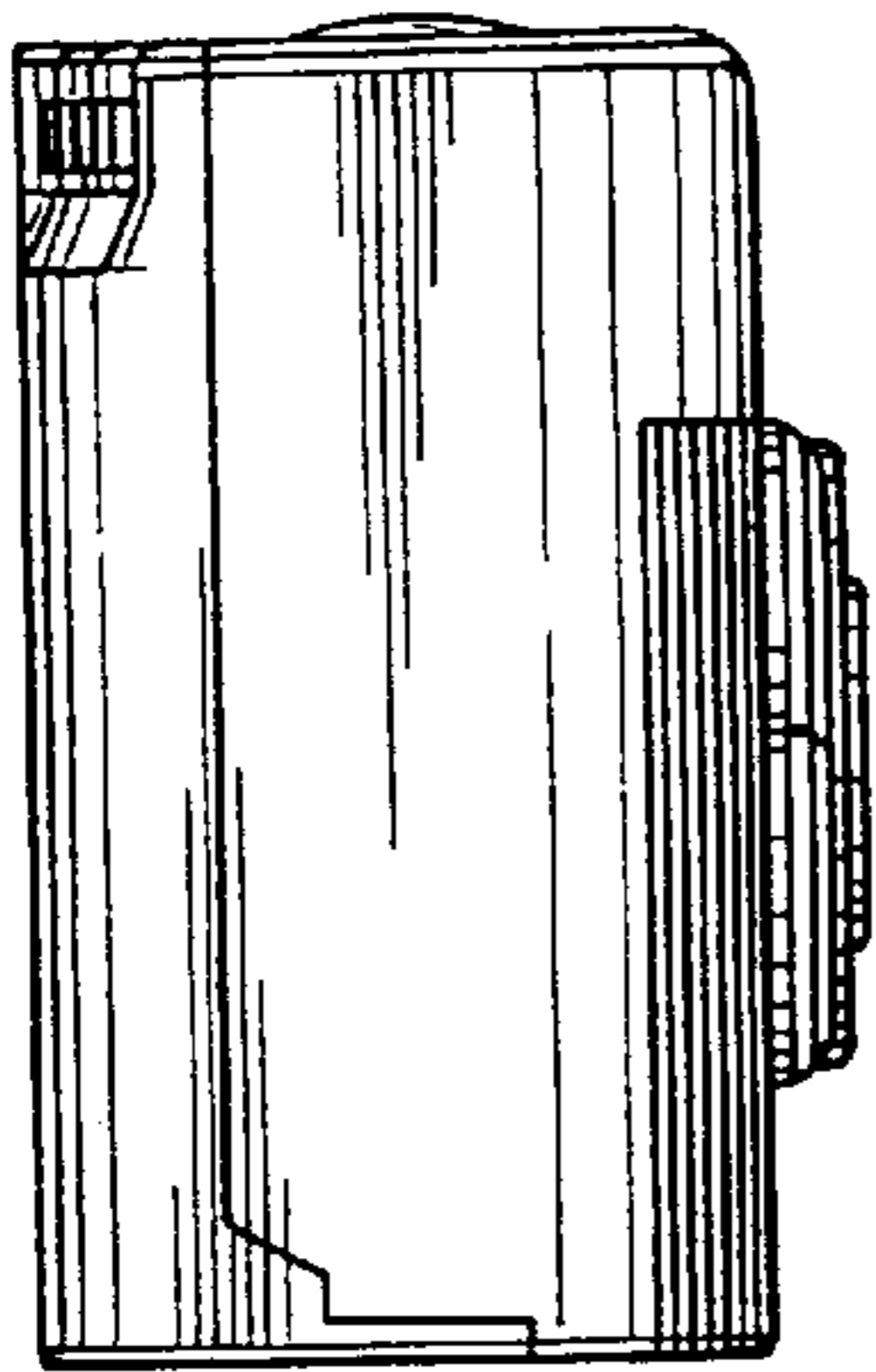


FIG. 3

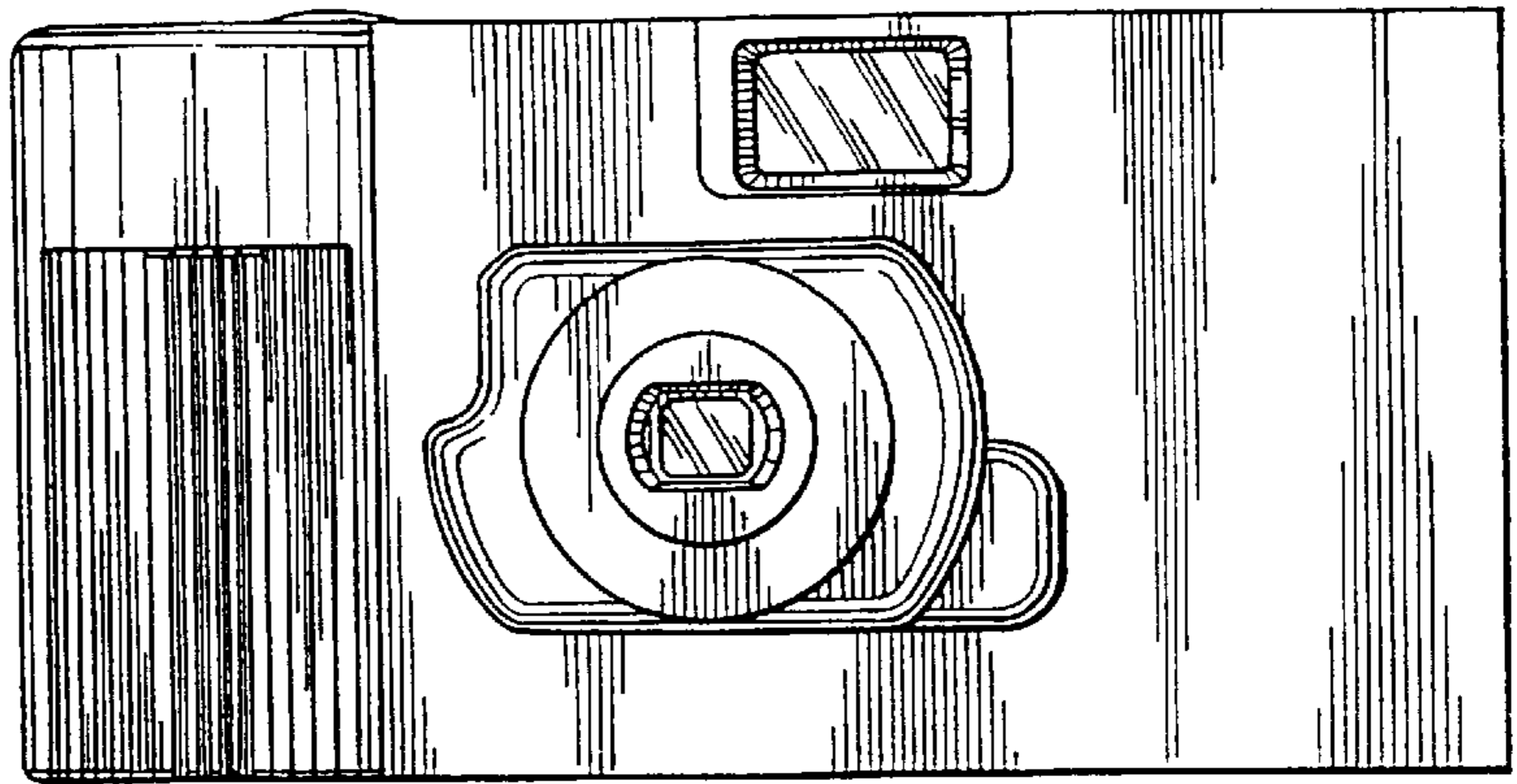


FIG. 1

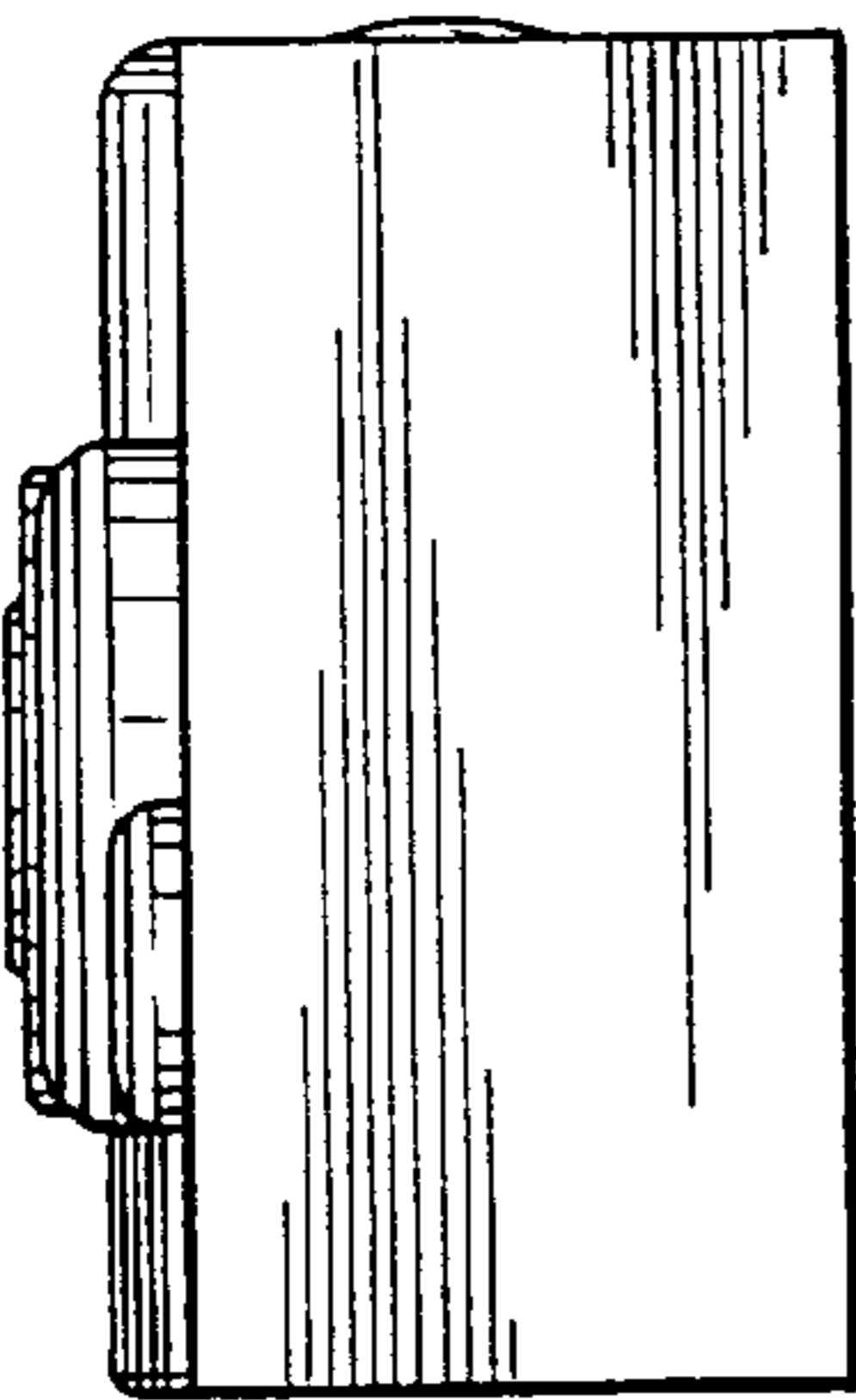


FIG. 4

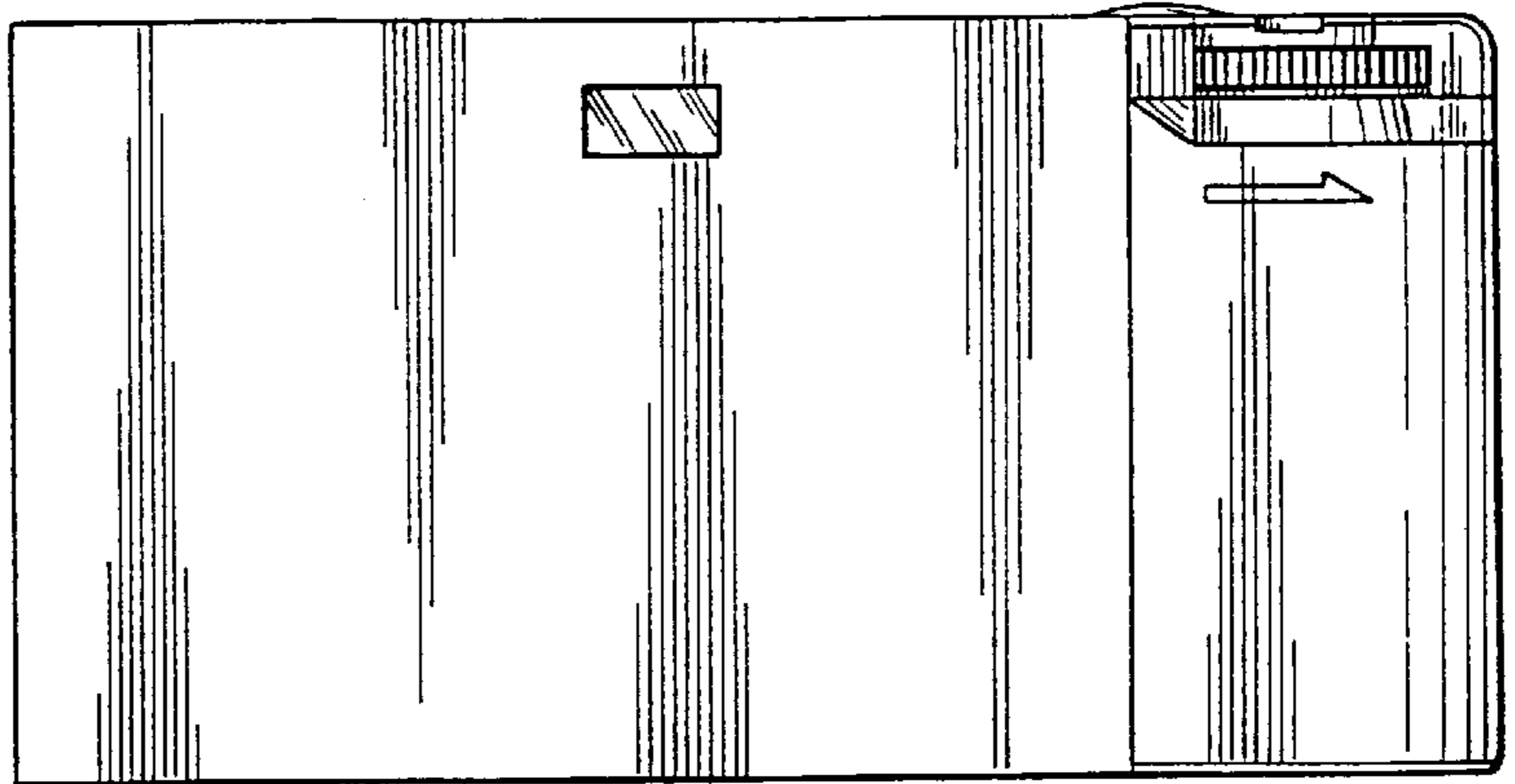


FIG. 2

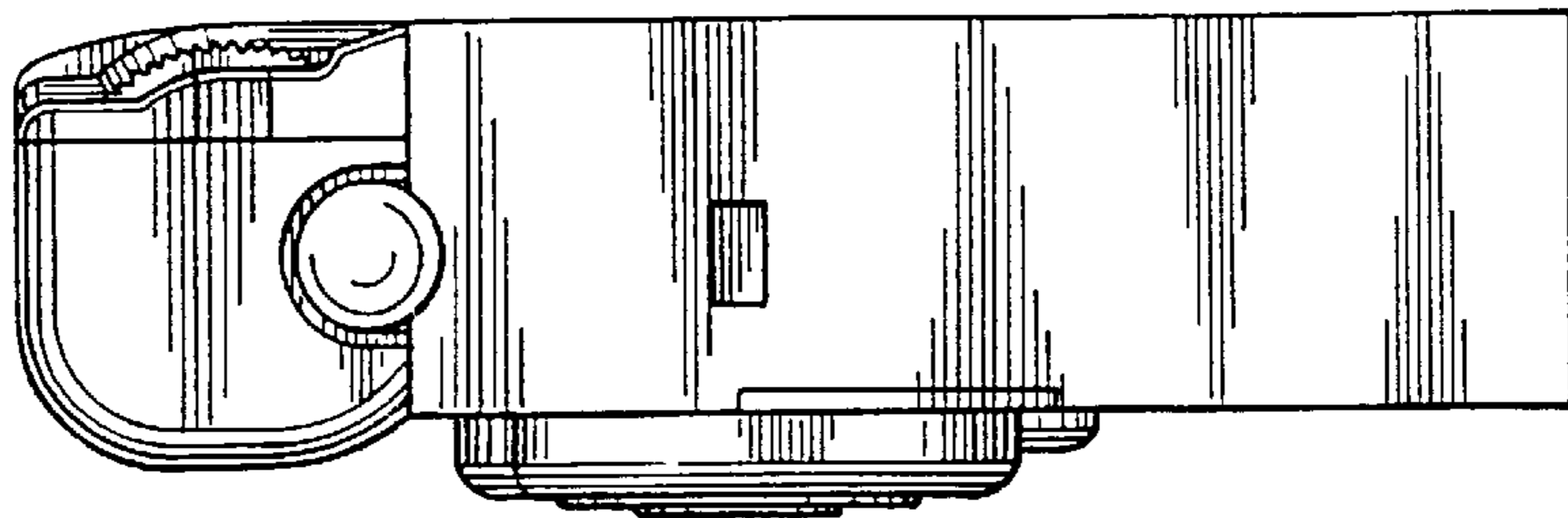


FIG. 5

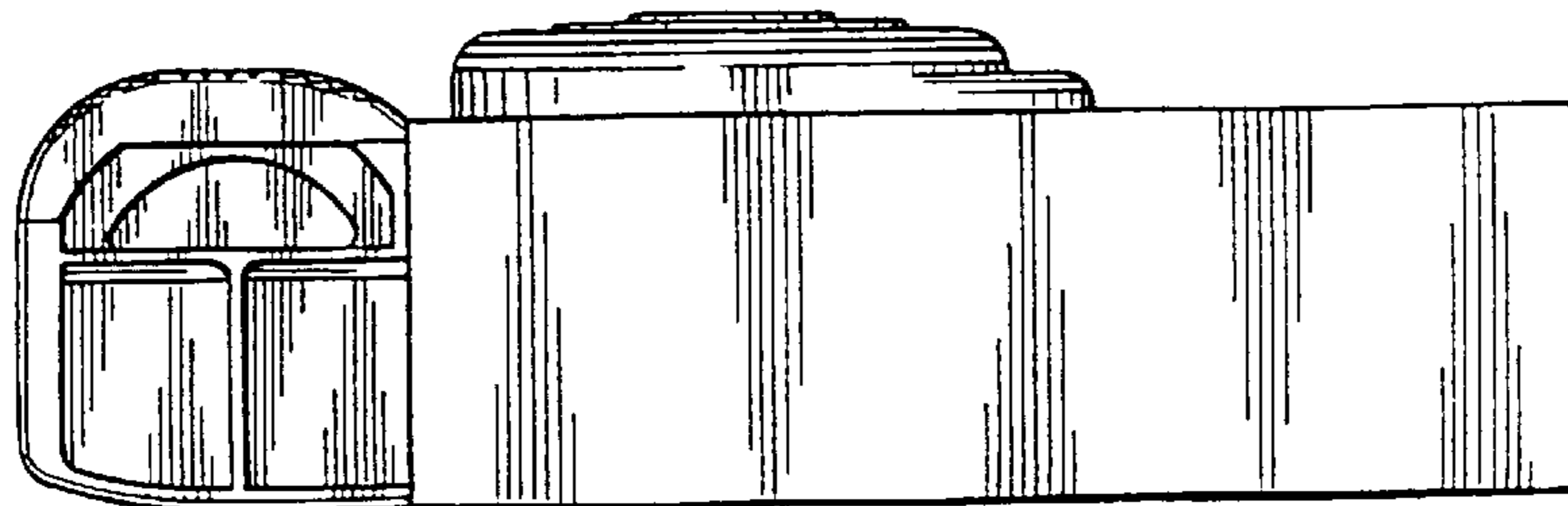


FIG. 6

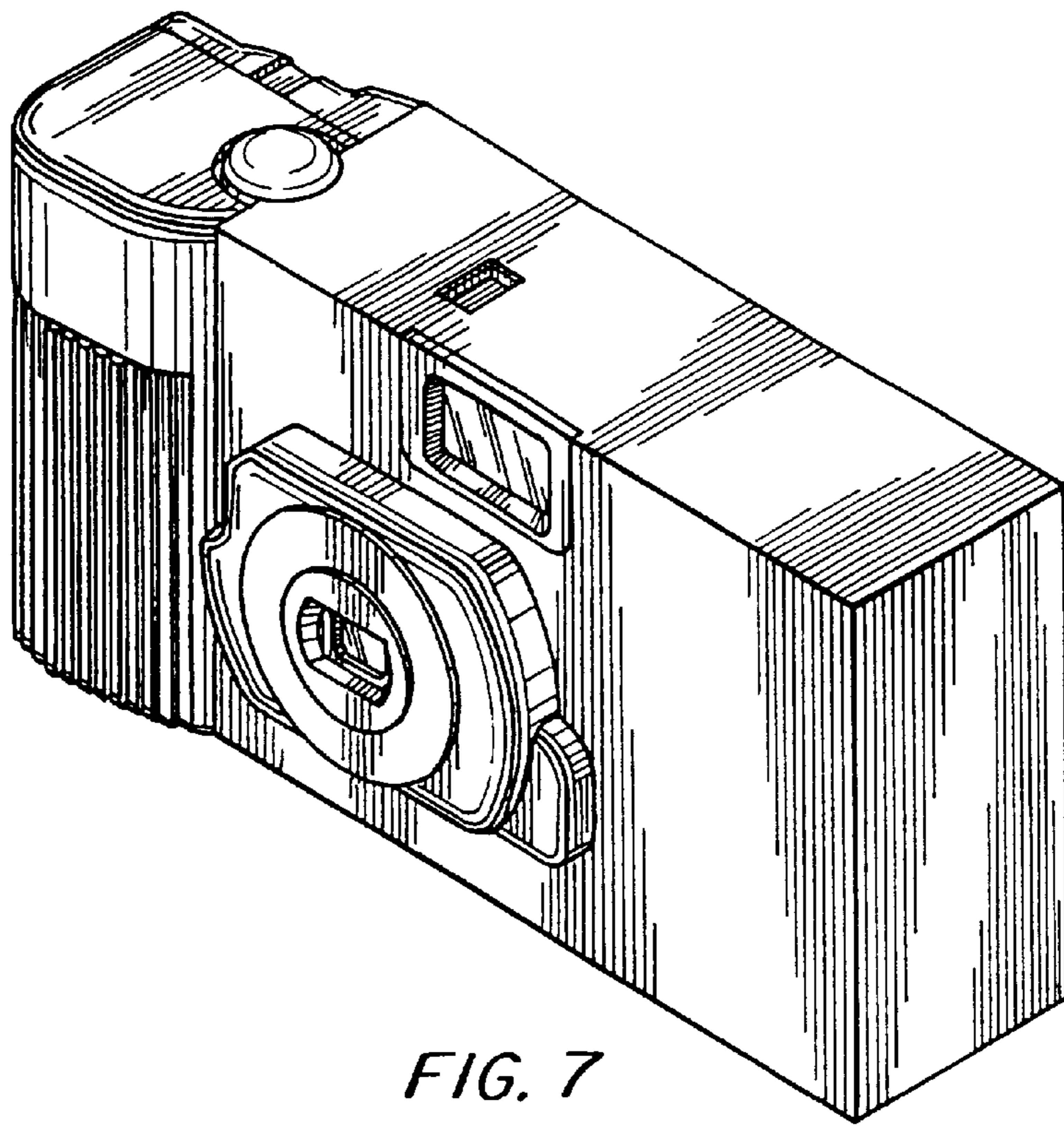


FIG. 7

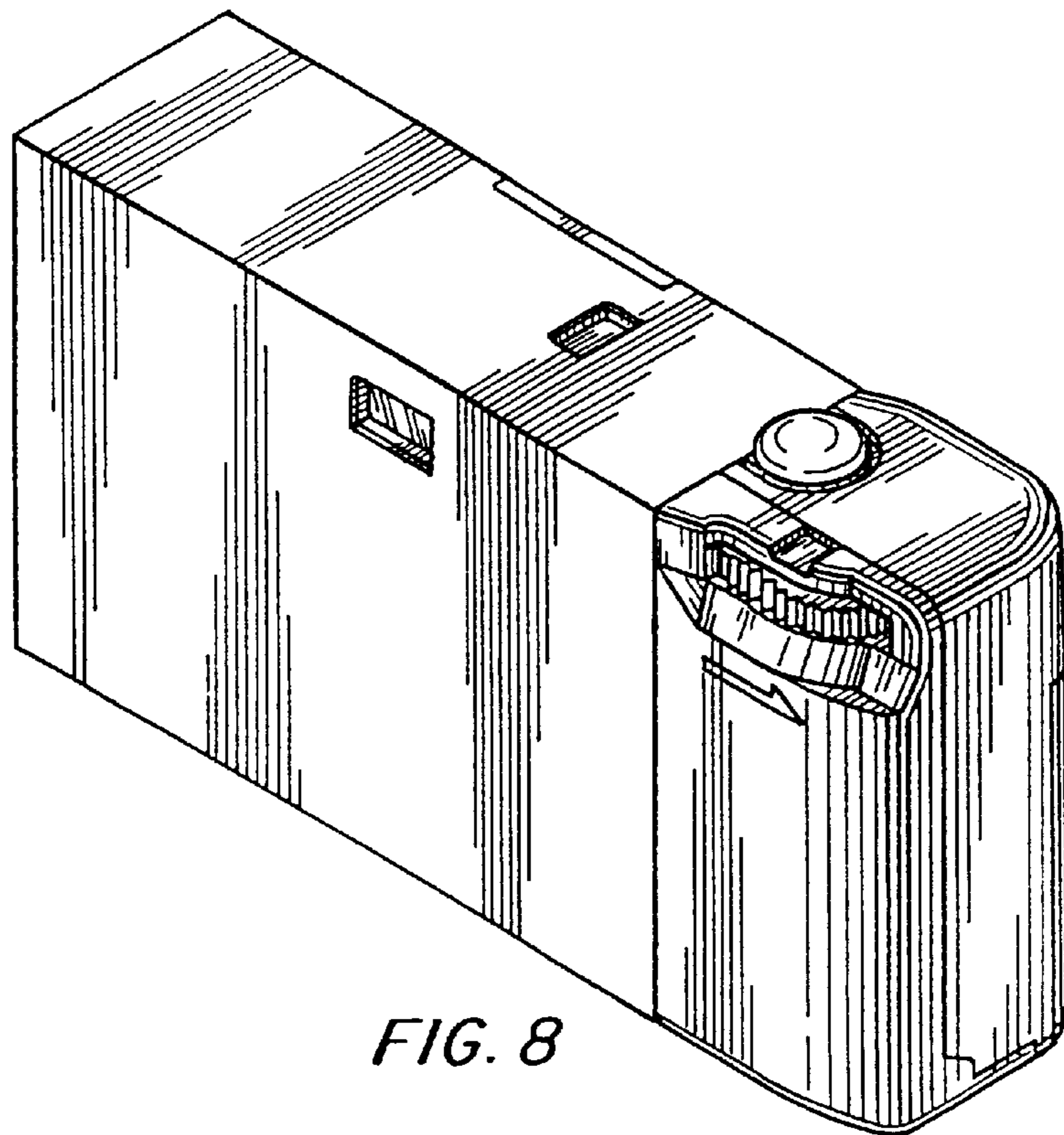


FIG. 8