



US00D418528S

United States Patent [19]

[11] Patent Number: **Des. 418,528**

Honjo et al.

[45] Date of Patent: **** Jan. 4, 2000**

[54] MACHINE TOOL

OTHER PUBLICATIONS

[75] Inventors: **Hiroshi Honjo; Morio Tominaga; Kenichi Kato; Tsuyoshi Inoue; Hiroshi Teranishi; Takashi Tokita; Hideaki Tomikawa; Hiroyuki Suzuki; Katsuya Arai; Norifumi Otsuka; Shoichi Hayashi; Tetsuo Higewake**, all of Tokyo, Japan

Catalog, "Cast/Cast DH2", two sheets, Sony, (Jul. 1997).
Catalog, "Desk-Top Type Root", six sheets, Sony, (Oct. 1997).

Primary Examiner—Antoine Duval Davis
Attorney, Agent, or Firm—Foley & Lardner

[73] Assignee: **Sony Corporation**, Tokyo, Japan

[57] CLAIM

[**] Term: **14 Years**

The ornamental design for a machine tool, as shown and described.

[21] Appl. No.: **29/097,155**

DESCRIPTION

[22] Filed: **Nov. 30, 1998**

FIG. 1 is a perspective view of a first embodiment of a machine tool showing our new design;
FIG. 2 is a top plan view thereof;
FIG. 3 is a left side elevational view thereof;
FIG. 4 is a front elevational view thereof;
FIG. 5 is a right side elevational view thereof;
FIG. 6 is a rear elevational view thereof; and
FIG. 7 is a bottom plan view thereof.
FIG. 8 is a perspective view of a second embodiment of a machine tool showing our new design;
FIG. 9 is a top plan view thereof;
FIG. 10 is a left side elevational view thereof;
FIG. 11 is a front elevational view thereof;
FIG. 12 is a right side elevational view thereof;
FIG. 13 is a rear elevational view thereof; and
FIG. 14 is a bottom plan view thereof.

[30] Foreign Application Priority Data

May 29, 1998 [JP] Japan 10-15160

[51] LOC (7) Cl. **15-99**

[52] U.S. Cl. **D15/199**

[58] Field of Search D15/125, 132,
D15/199; 29/26 A; 81/176.15, 176.3, 443,
461, 470; 408/234, 237; 411/396, 407,
910, 911; 414/217, 218

[56] References Cited

U.S. PATENT DOCUMENTS

D. 366,054 1/1996 Eguchi D15/199
5,375,952 12/1994 Line 408/234 X

1 Claim, 8 Drawing Sheets

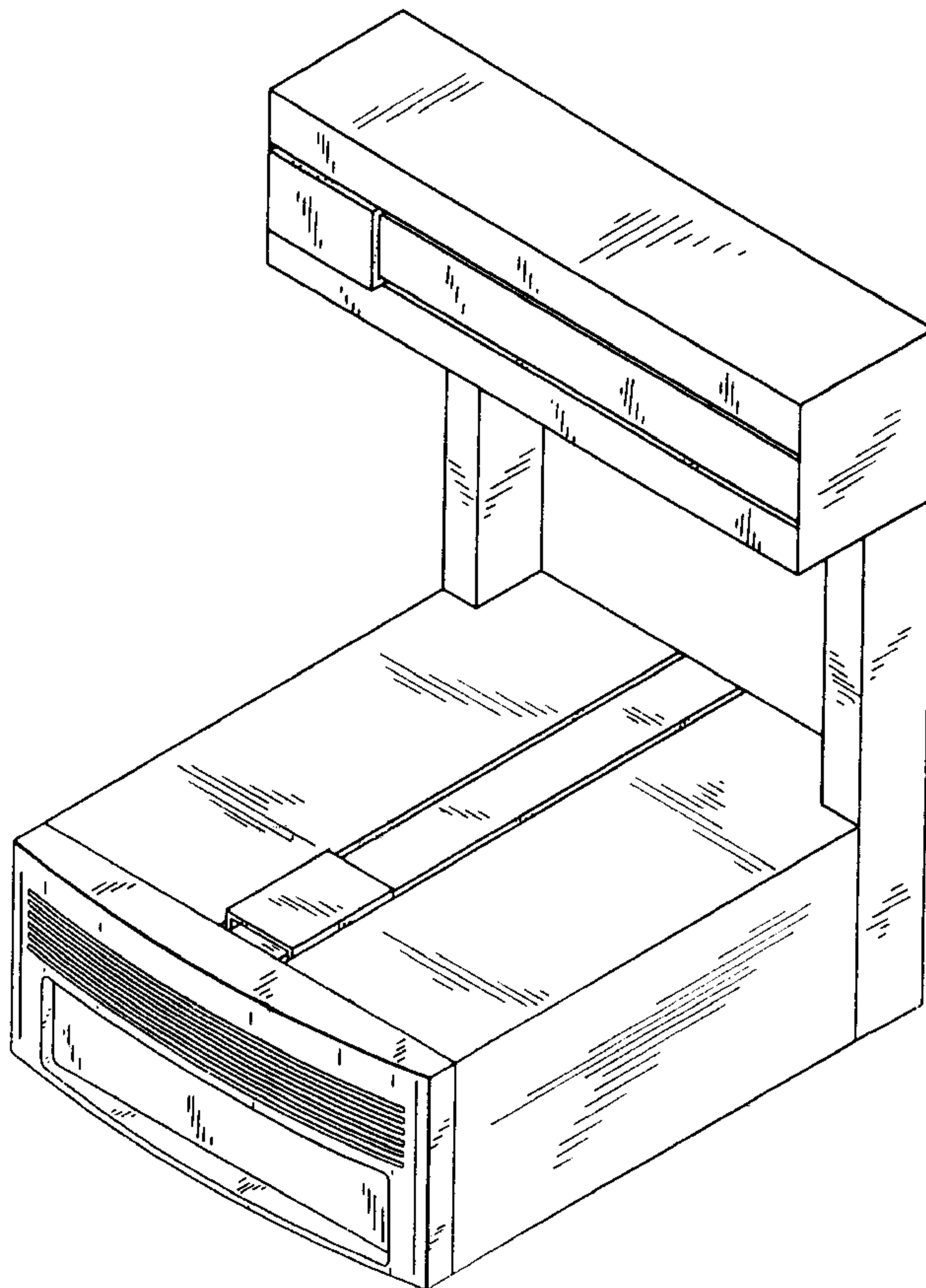


FIG. 1

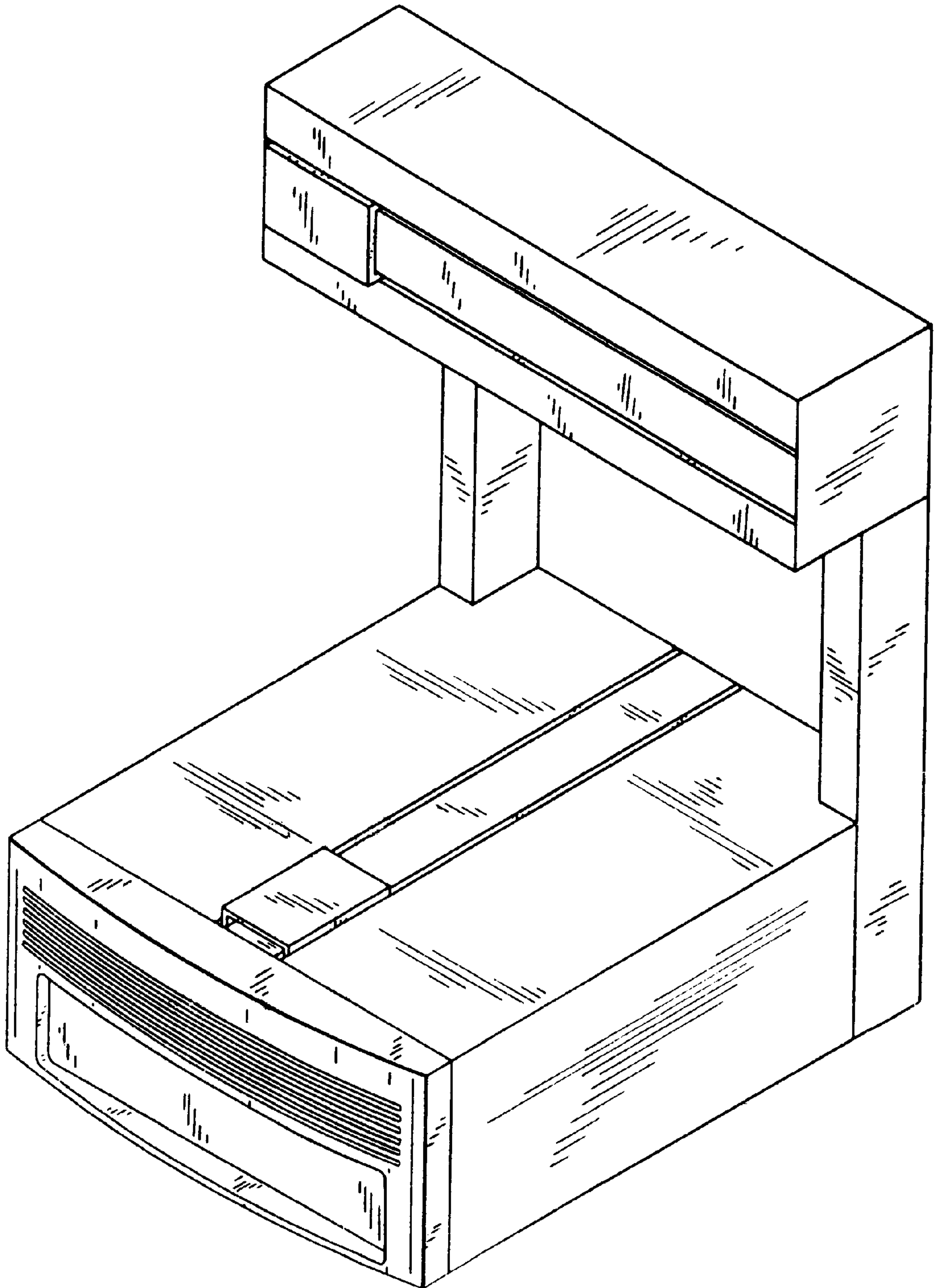


FIG. 7

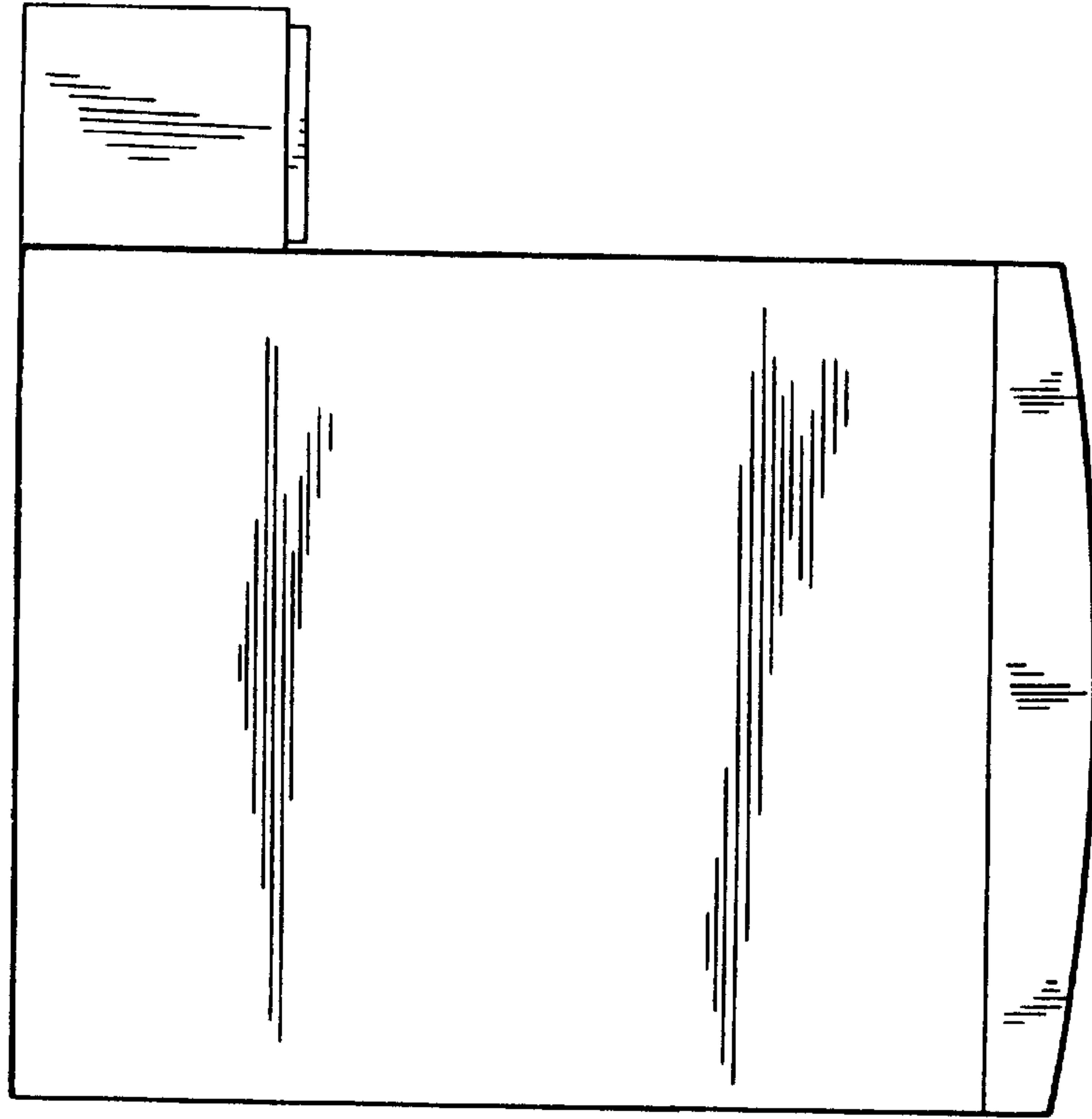


FIG. 2

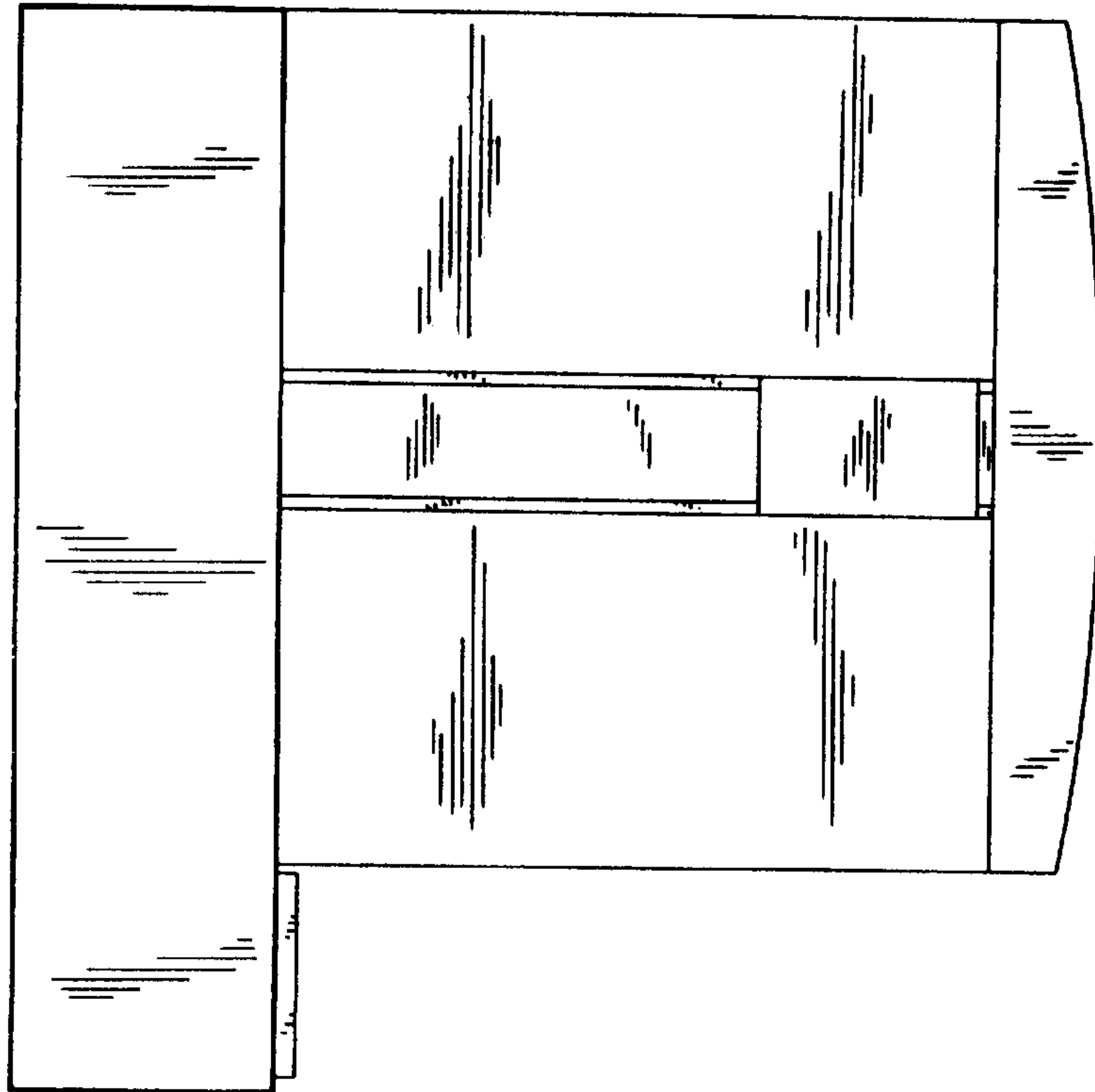


FIG. 5

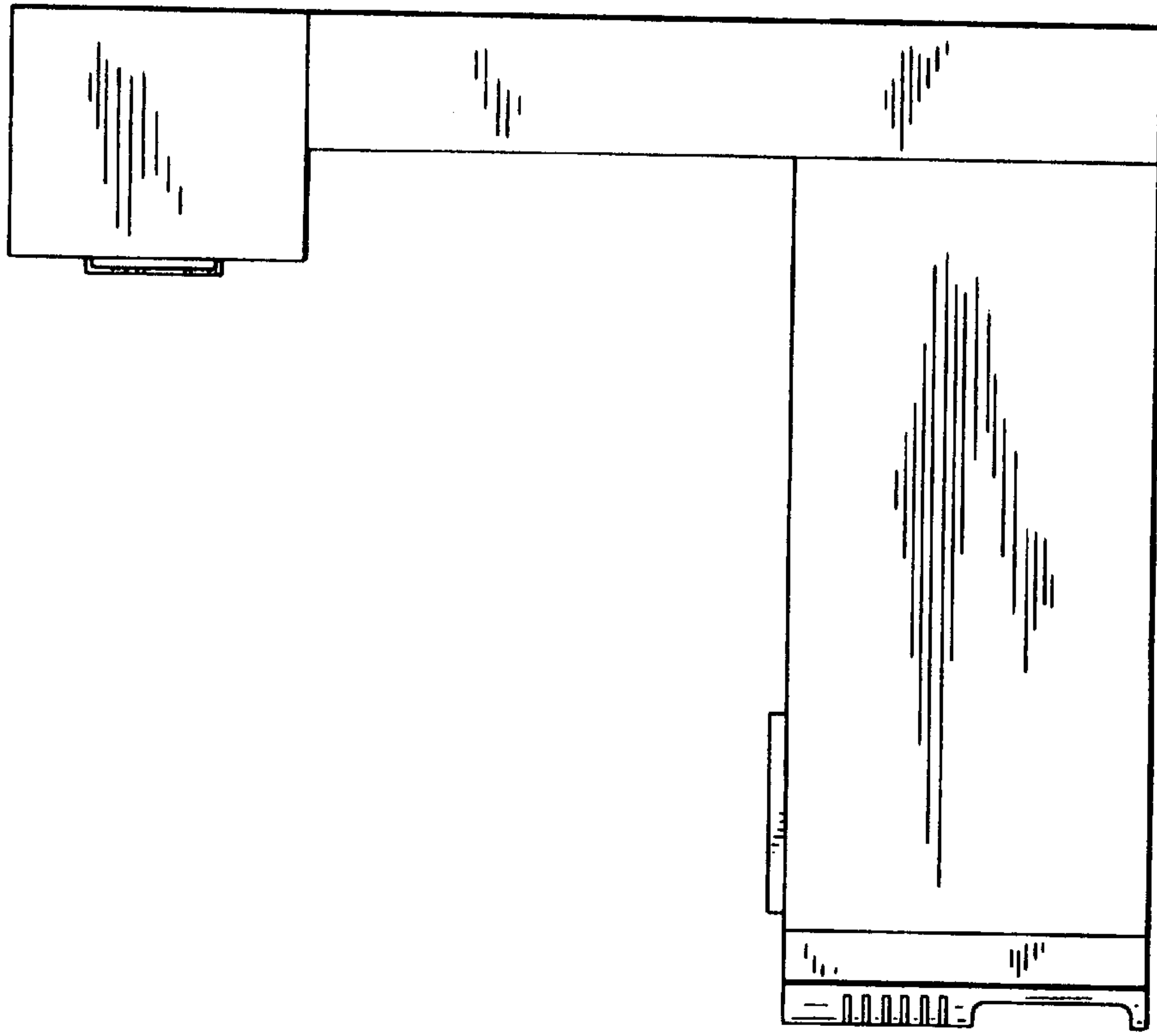


FIG. 3

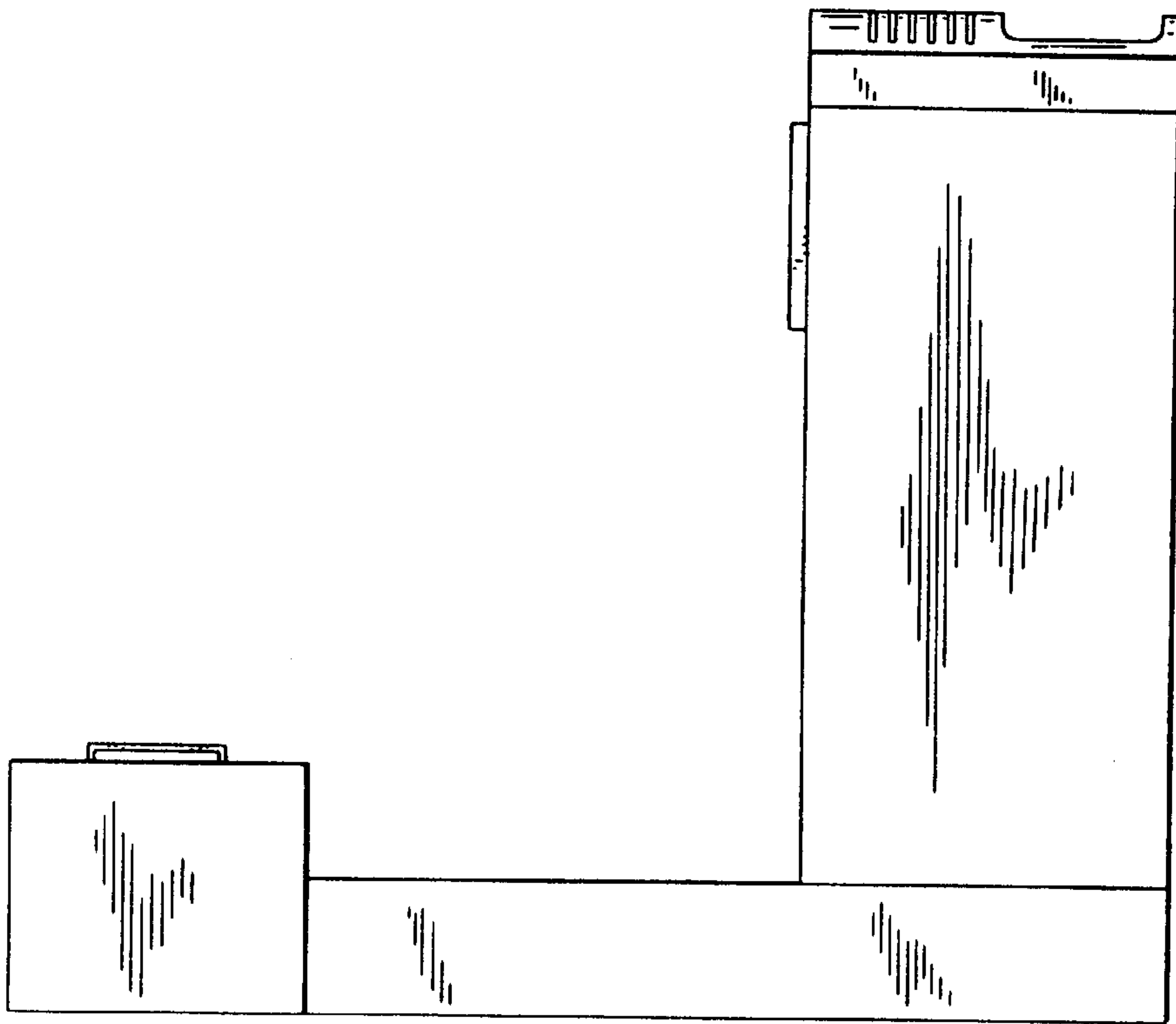


FIG. 6

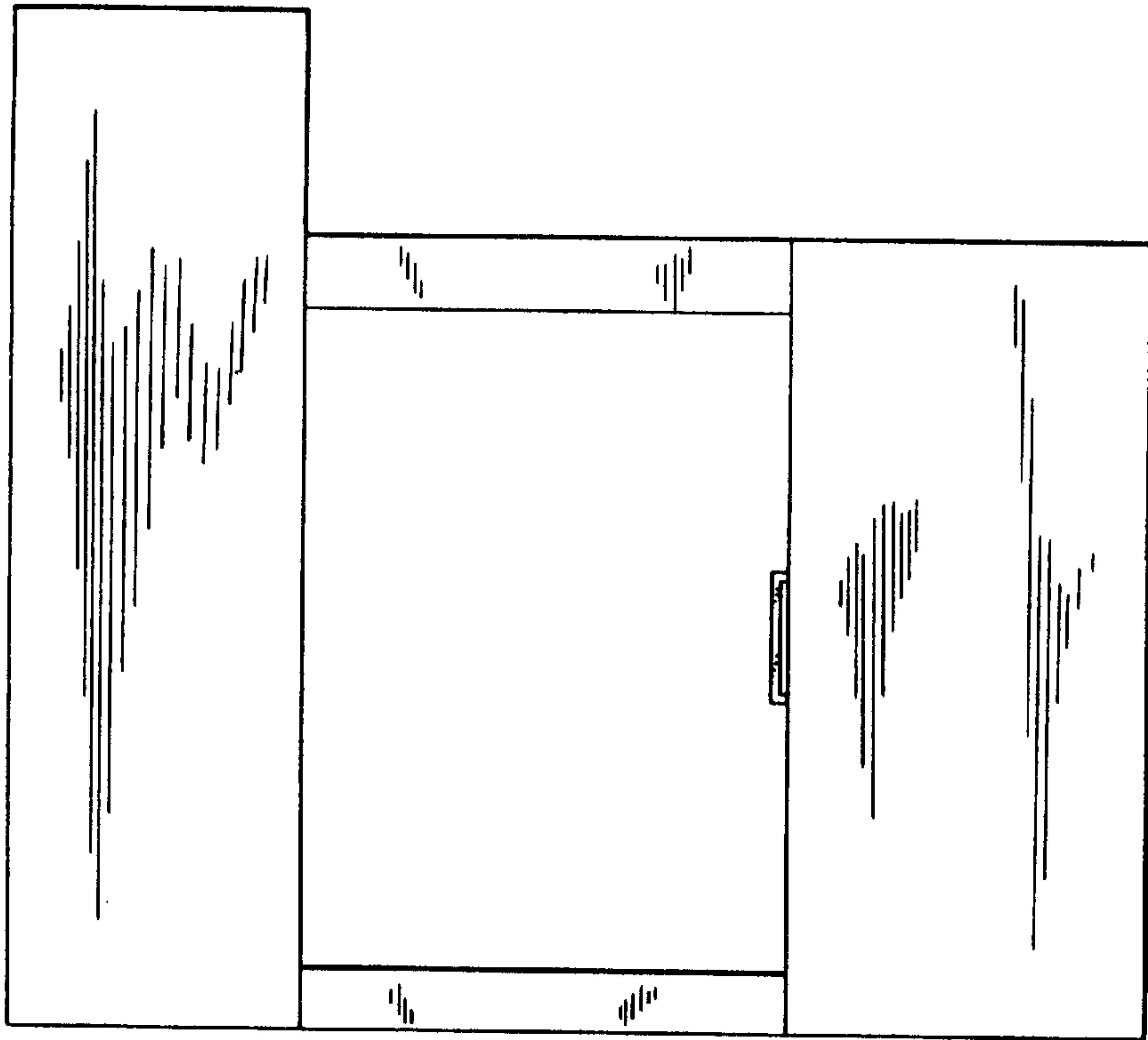


FIG. 4

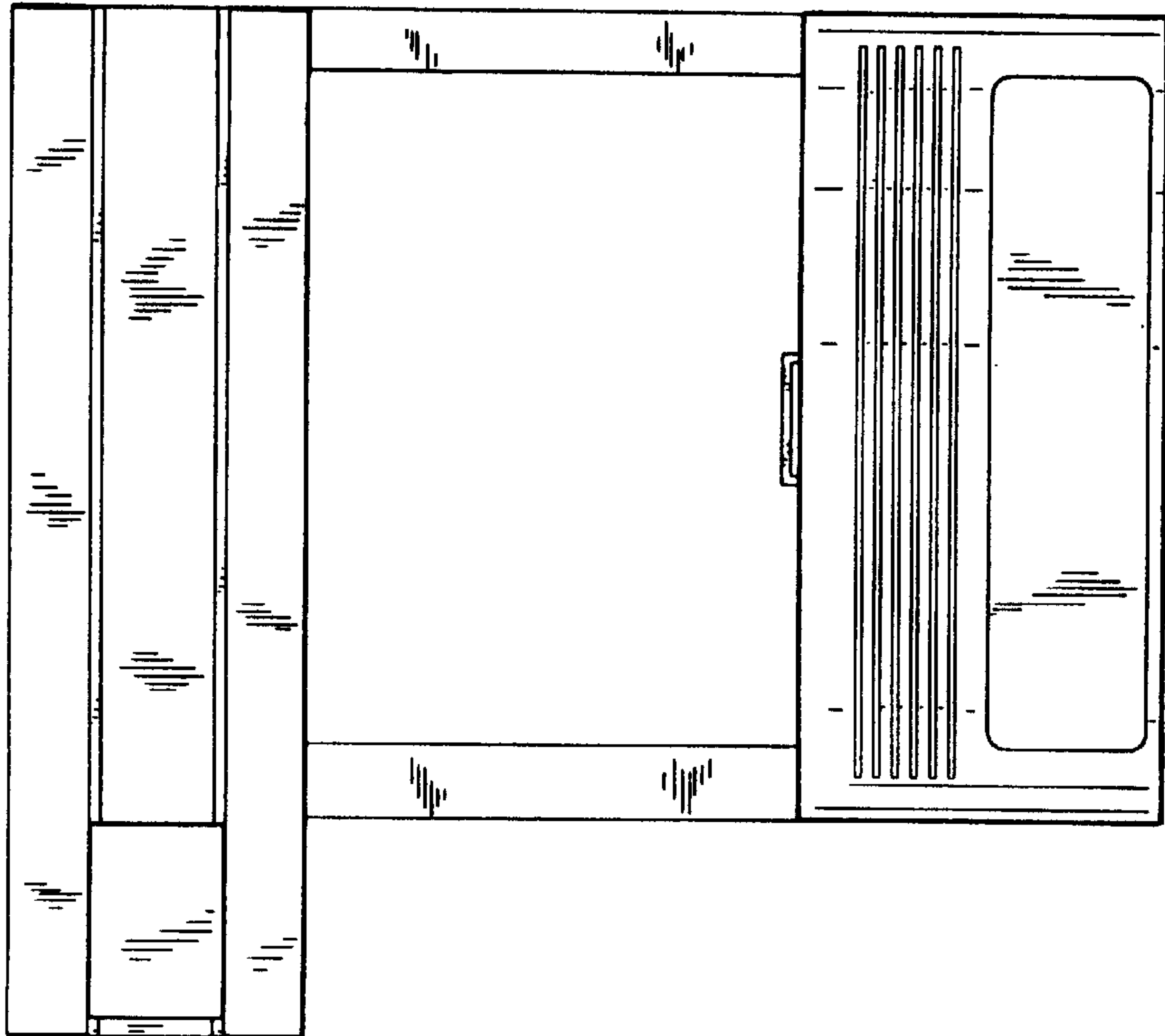


FIG. 8

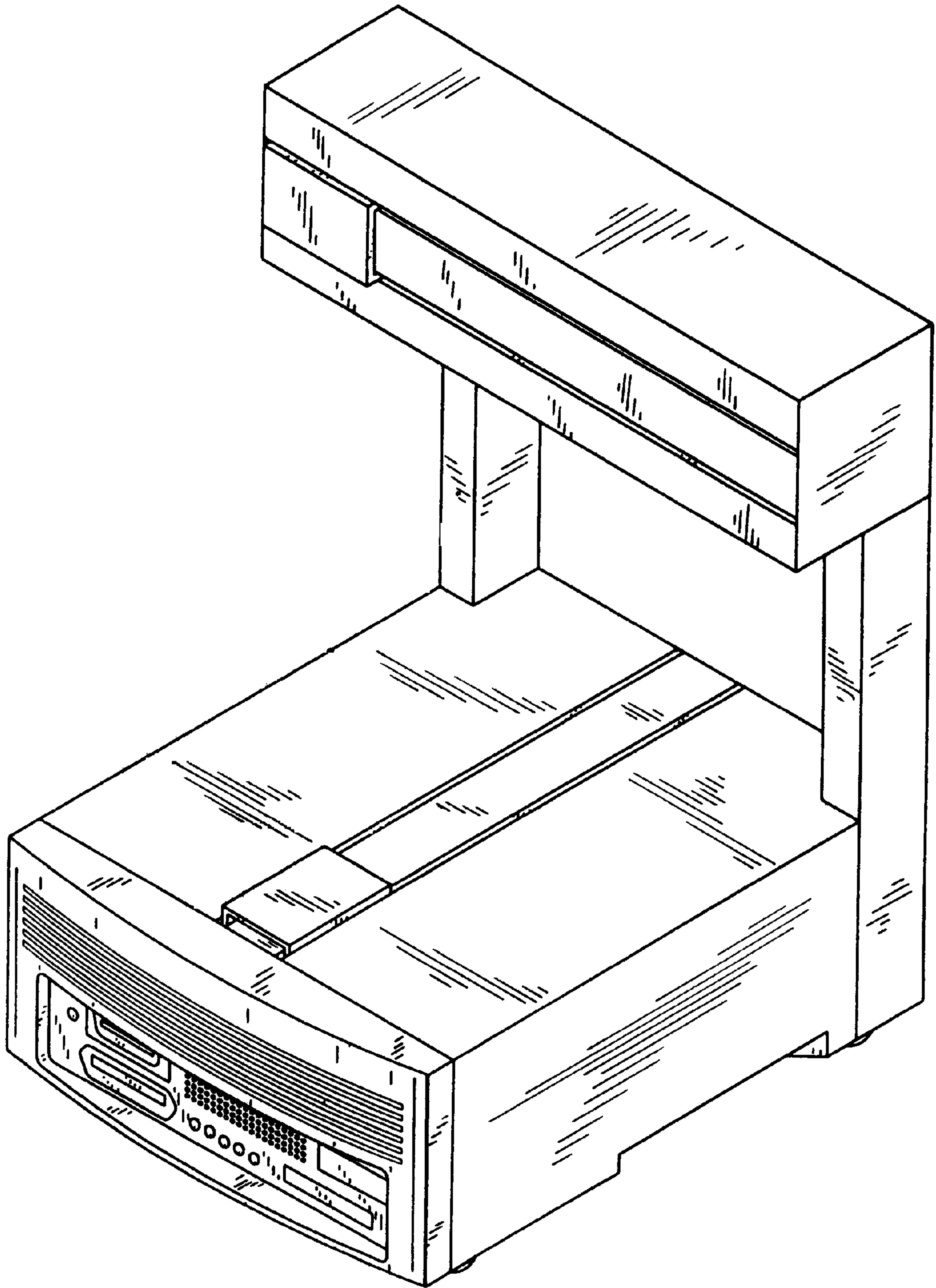


FIG. 14

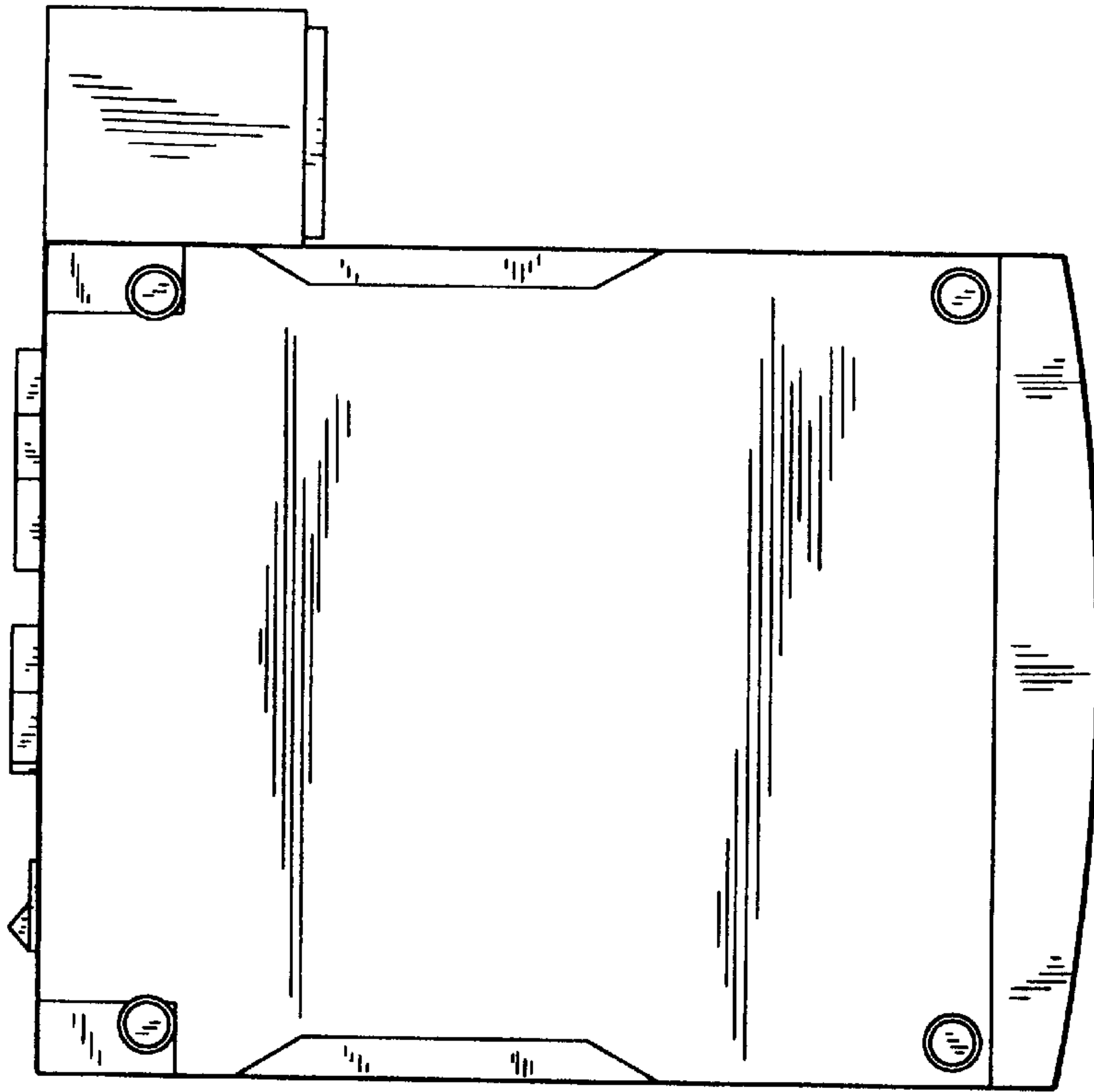


FIG. 9

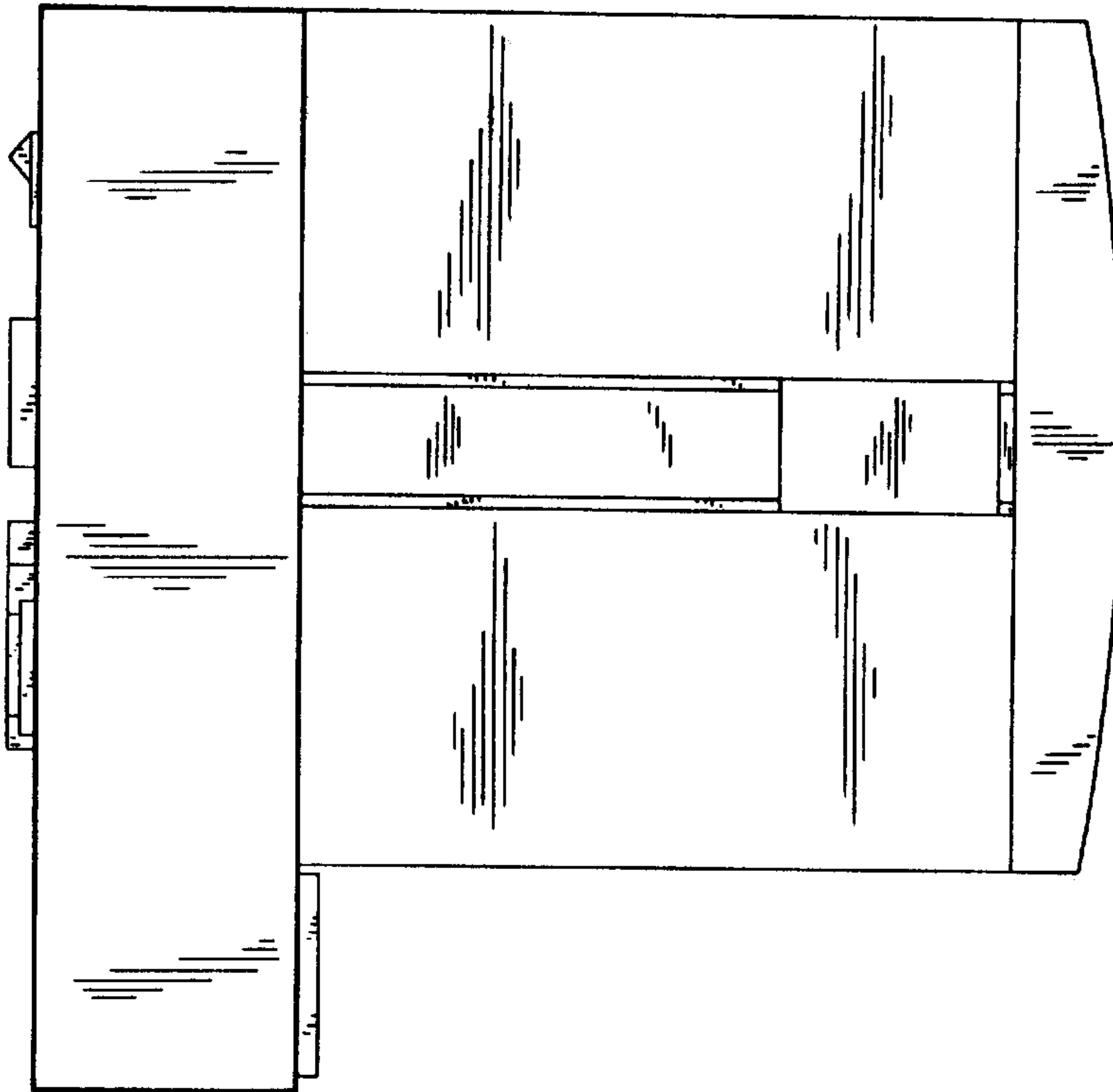


FIG. 12

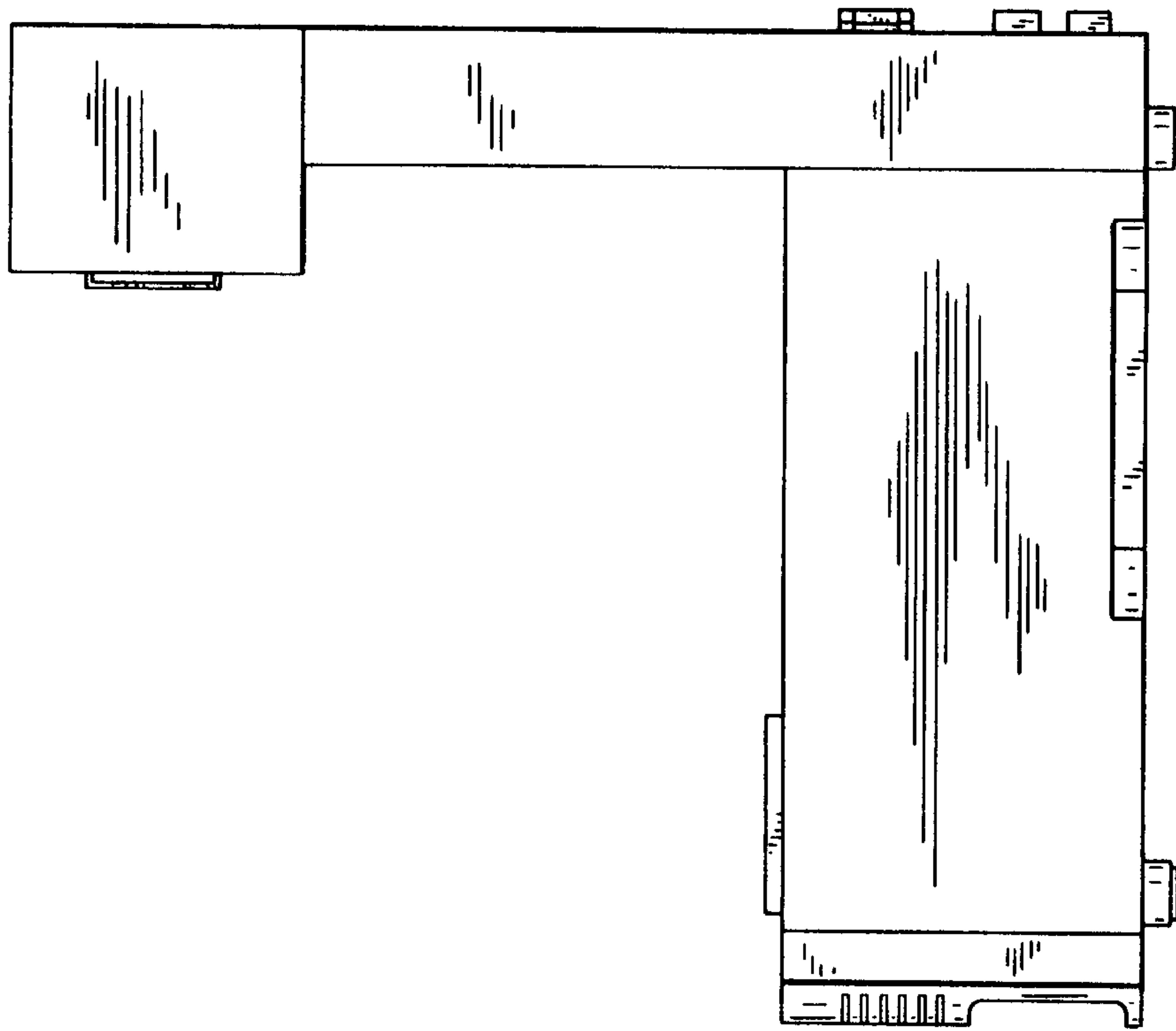


FIG. 10

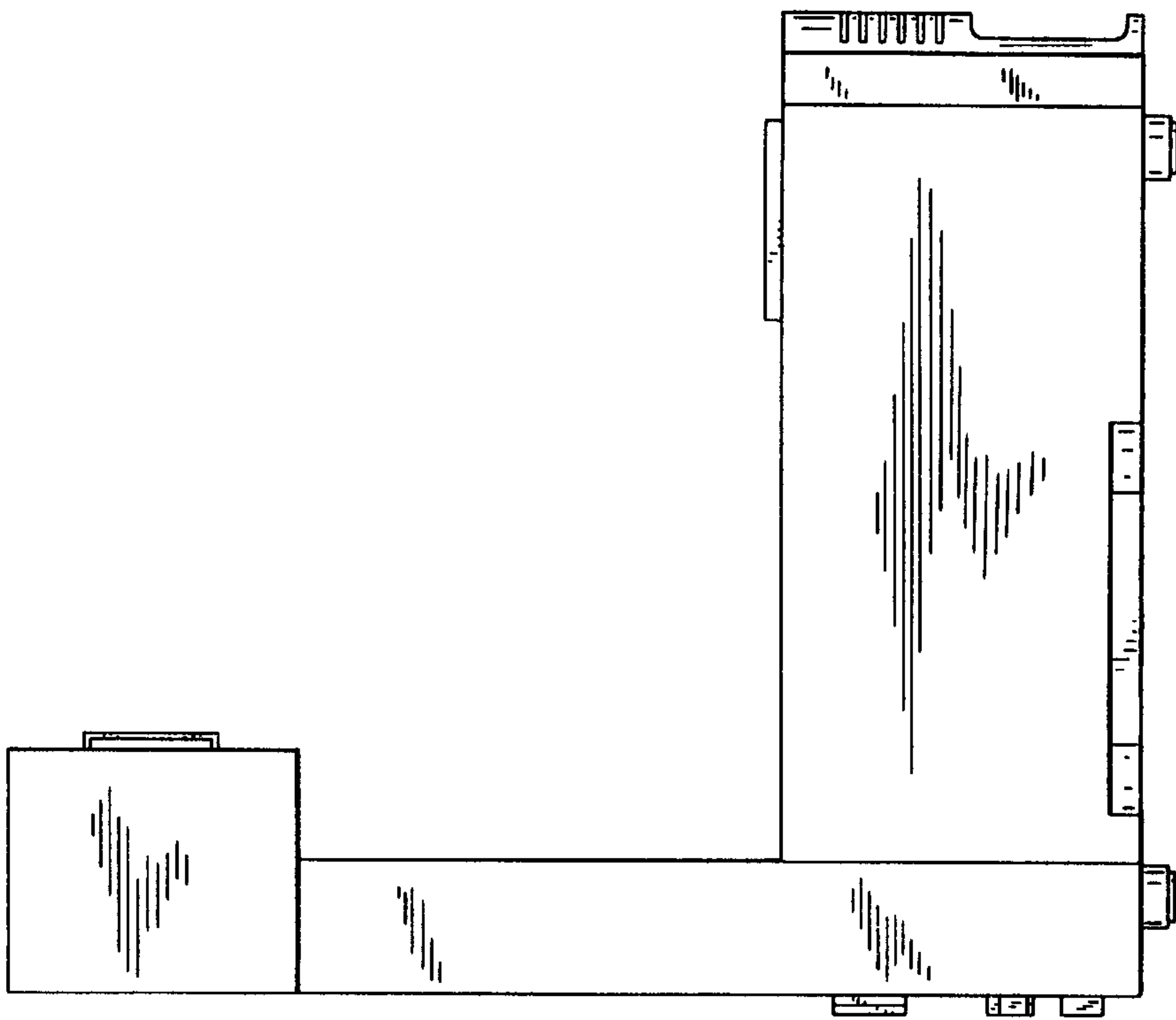


FIG. 13

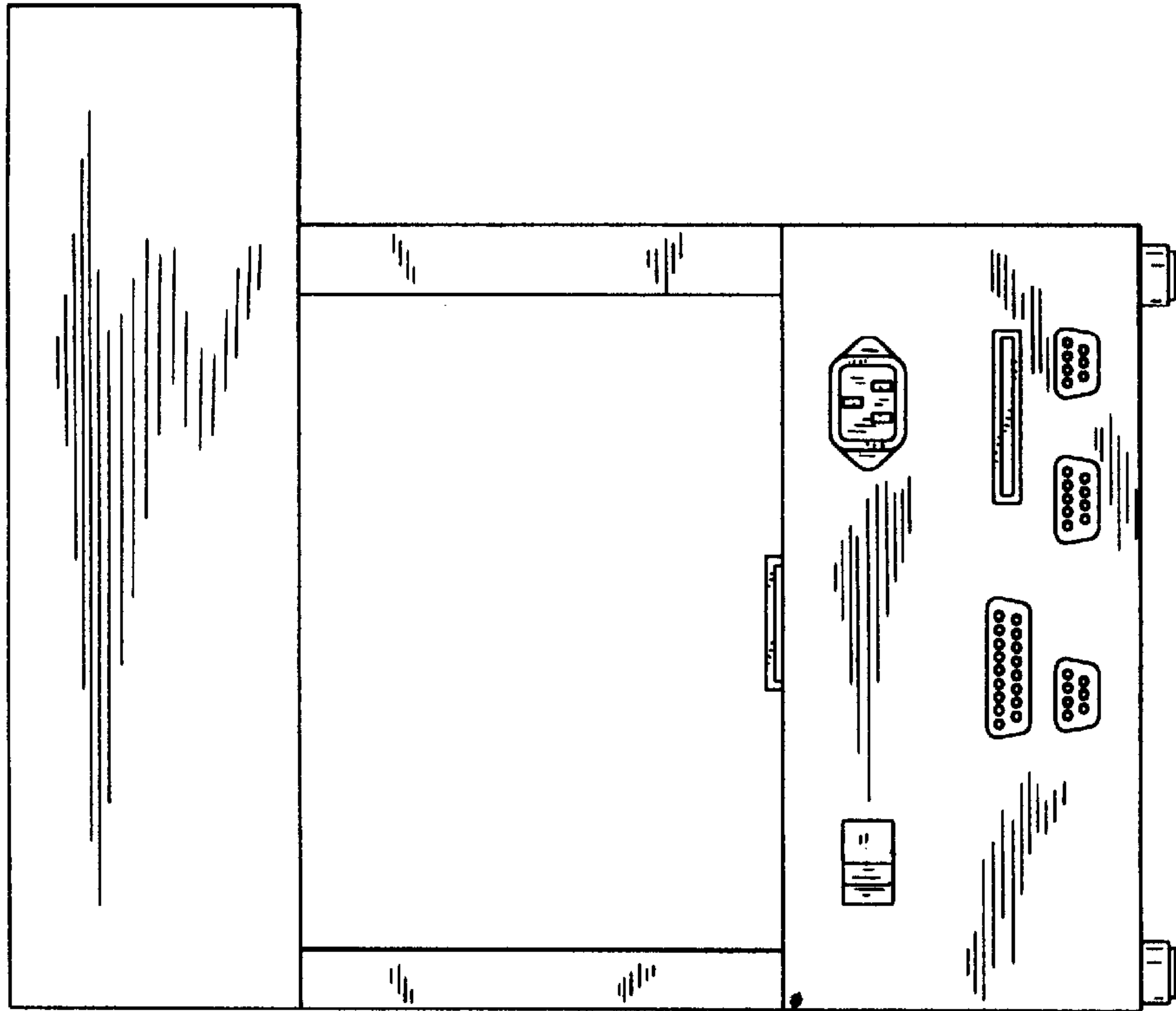


FIG. 11

