



US00D418525S

United States Patent [19]

[11] Patent Number: **Des. 418,525**

Watson et al.

[45] Date of Patent: **** Jan. 4, 2000**

[54] **RADIAL ARM SAW**

[75] Inventors: **James B. Watson**, Conyers; **James Ho Cha**, Lithonia, both of Ga.; **Alex Chunn**, Greenville, S.C.; **David Lee Wikle**, Locust Groove, Ga.

[73] Assignee: **Ryobi North America, Inc.**, Anderson, S.C.

[**] Term: **14 Years**

[21] Appl. No.: **29/104,807**

[22] Filed: **May 12, 1999**

[51] **LOC (7) Cl.** **15-09**

[52] **U.S. Cl.** **D15/133**

[58] **Field of Search** D15/133; 83/471, 83/471.2, 485, 478, 473, 461, 471.3, 486, 761, 486.1; 144/1 R; 29/467, 469; 72/176, 178, 252.5

[56] References Cited

U.S. PATENT DOCUMENTS

D. 299,241	1/1989	Hoshino et al.	D15/133
D. 361,775	8/1995	Josephson	D15/133
4,184,395	1/1980	Blachly et al. .	
4,590,831	5/1986	Brodin .	

4,742,743	5/1988	Scarpone .	
4,745,834	5/1988	Neumann .	
4,958,544	9/1990	Miyamoto .	
5,063,806	11/1991	Mayfield .	
5,138,920	8/1992	Mayfield .	
5,152,207	10/1992	Mayfield .	
5,241,735	9/1993	Henning .	
5,287,779	2/1994	Metzger, Jr. .	
5,287,780	2/1994	Metzger, Jr. et al. .	
5,331,875	7/1994	Mayfield .	
5,353,670	10/1994	Metzger, Jr.	83/471.3

Primary Examiner—Antoine Duval Davis
Attorney, Agent, or Firm—Brooks & Kushman P.C.

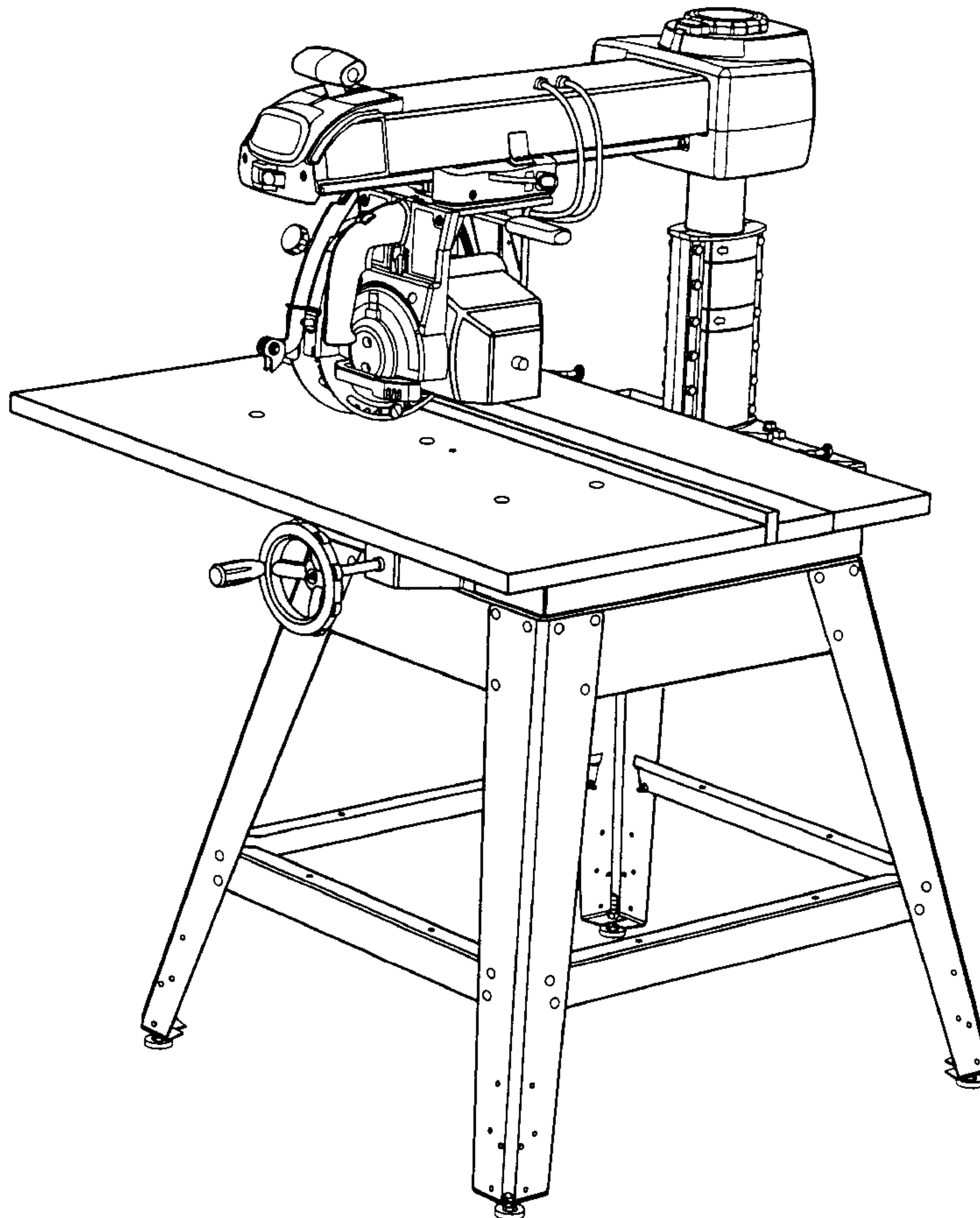
[57] CLAIM

The ornamental design for a radial arm saw, as shown and described.

DESCRIPTION

FIG. 1 is a right front perspective view of the radial arm saw; FIG. 2 is a left front perspective view; FIG. 3 is a left side elevational view; FIG. 4 is a front view; FIG. 5 is a right side view; FIG. 6 is a rear view; FIG. 7 is a top plan view; and, FIG. 8 is a bottom plan view.

1 Claim, 8 Drawing Sheets



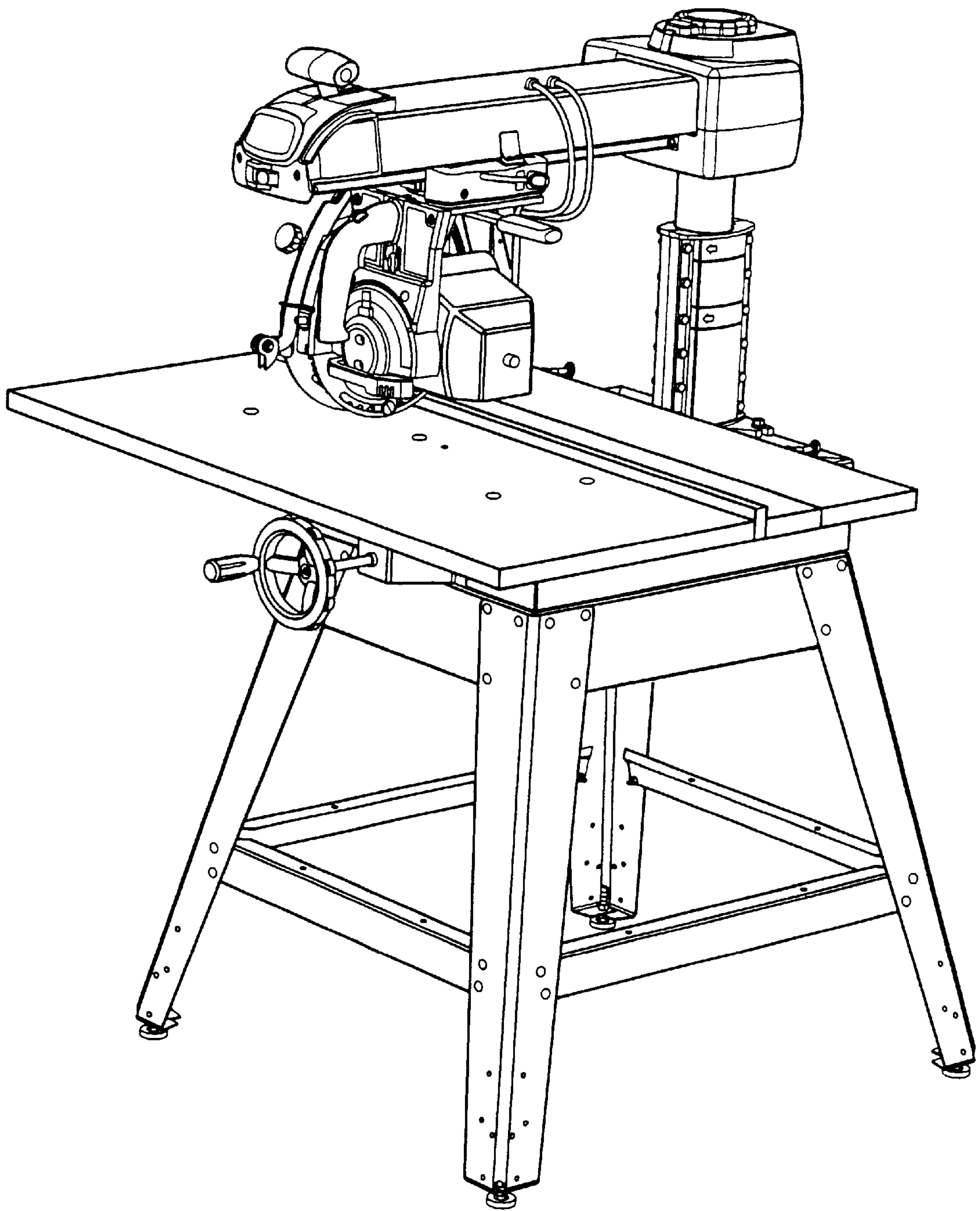


Fig. 1

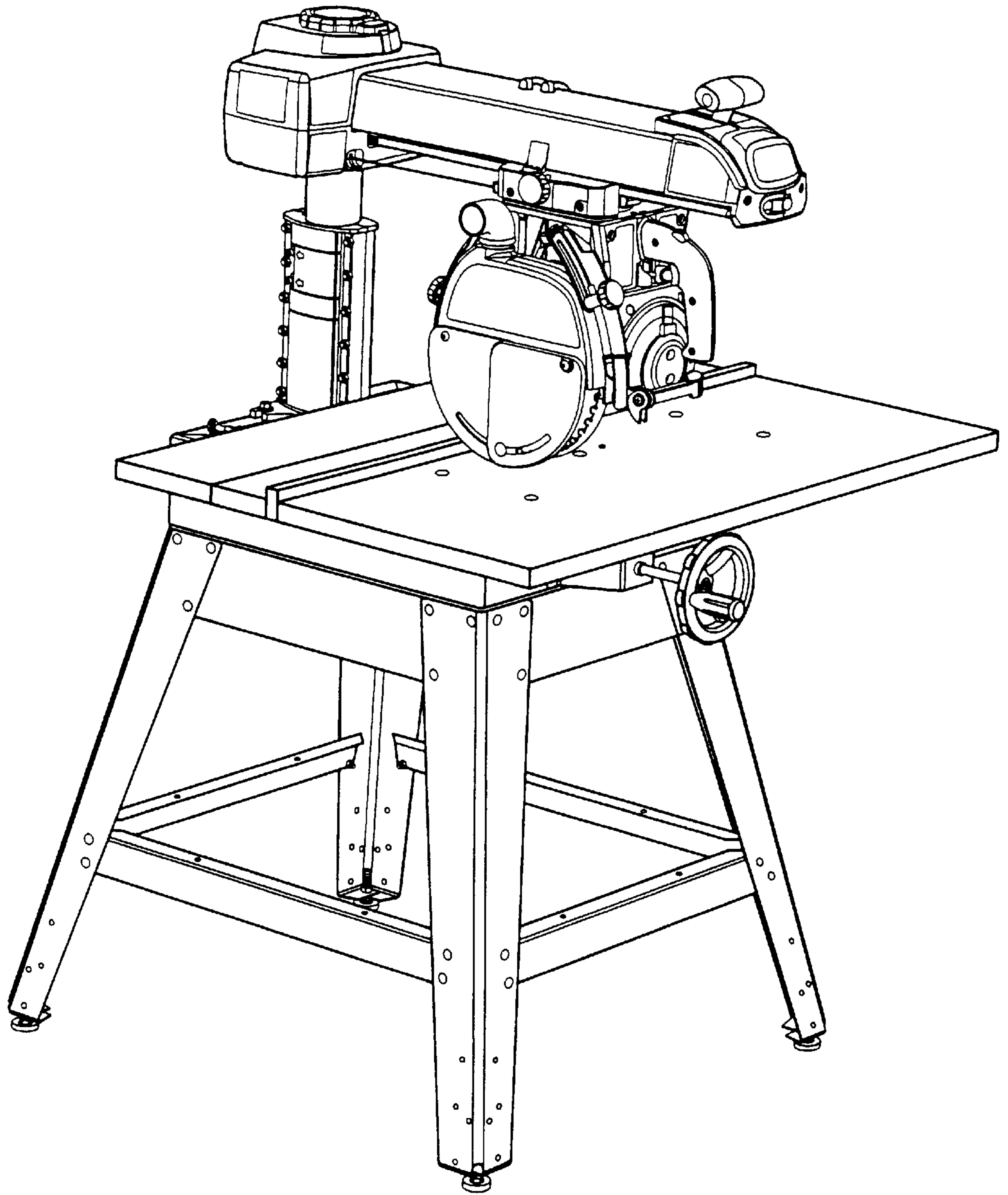


Fig. 2

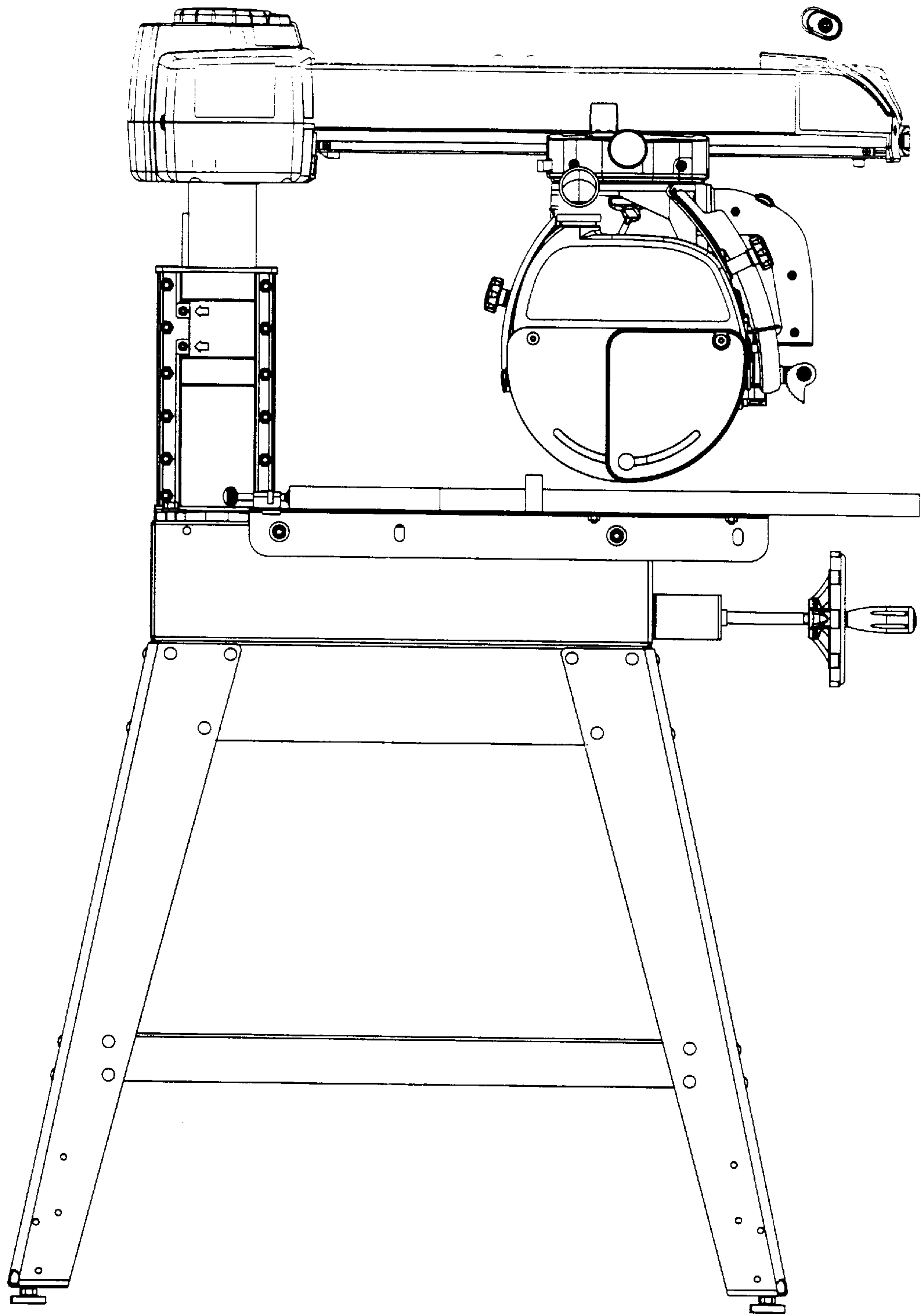


Fig. 3

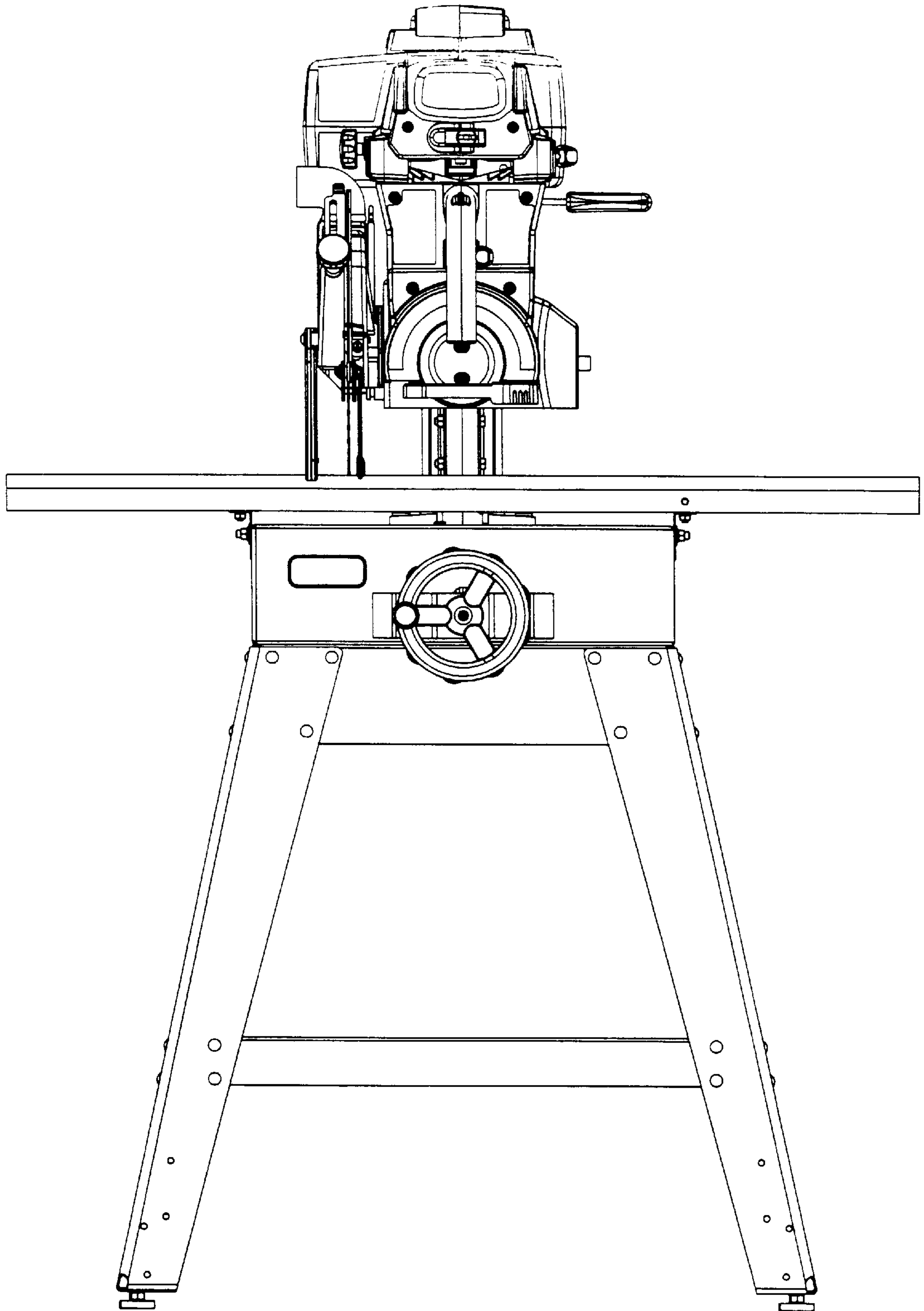


Fig. 4

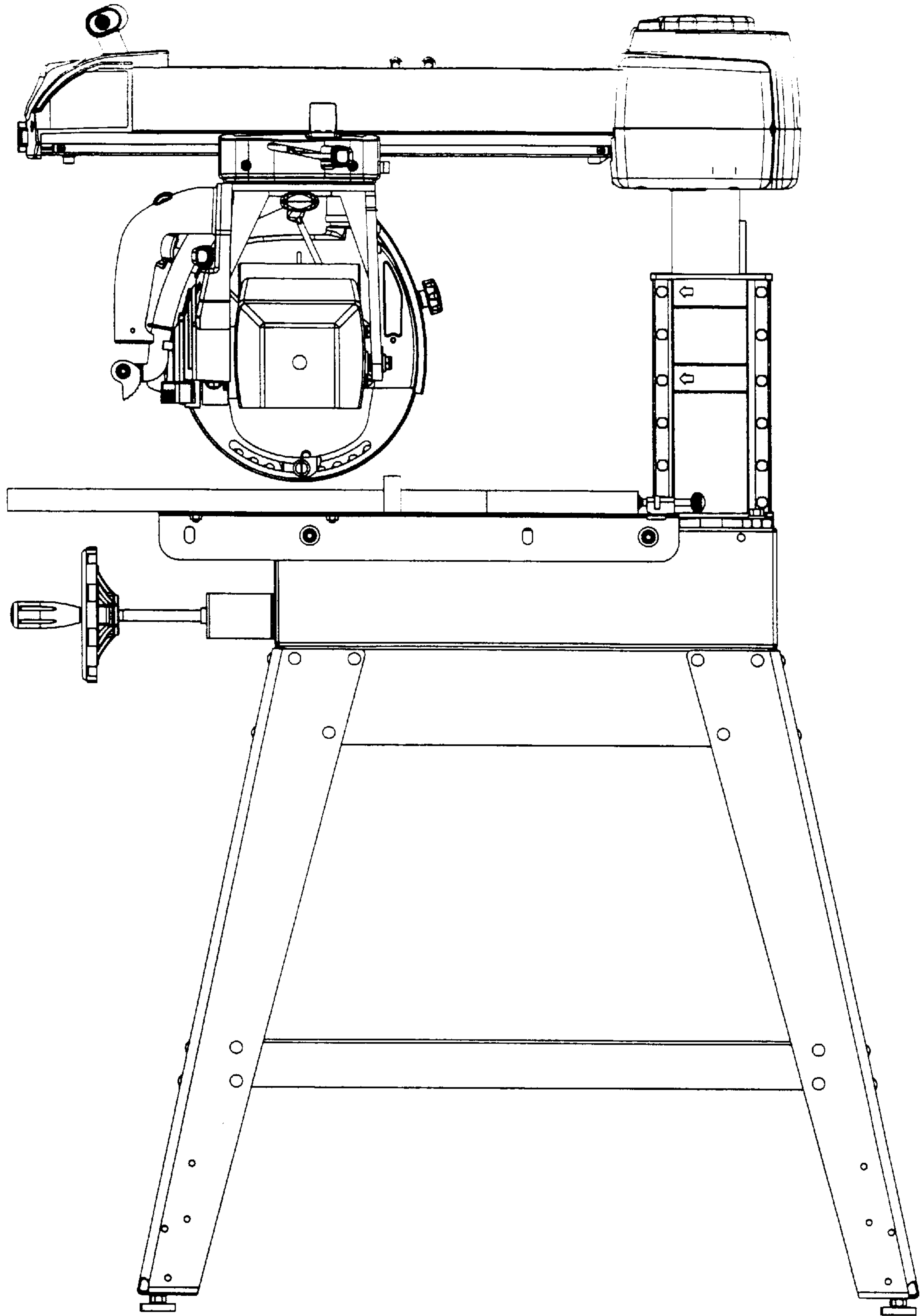


Fig. 5

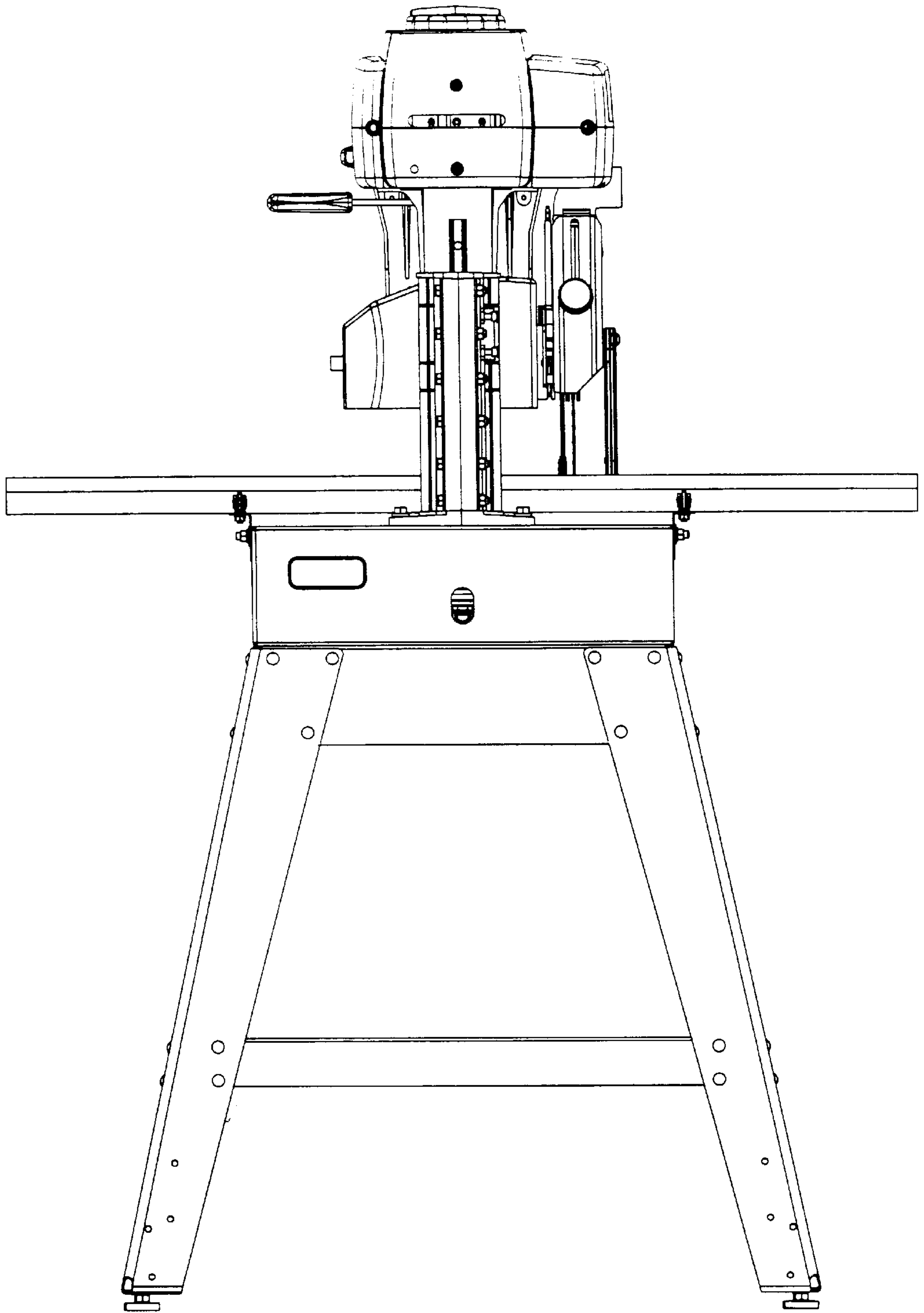


Fig. 6

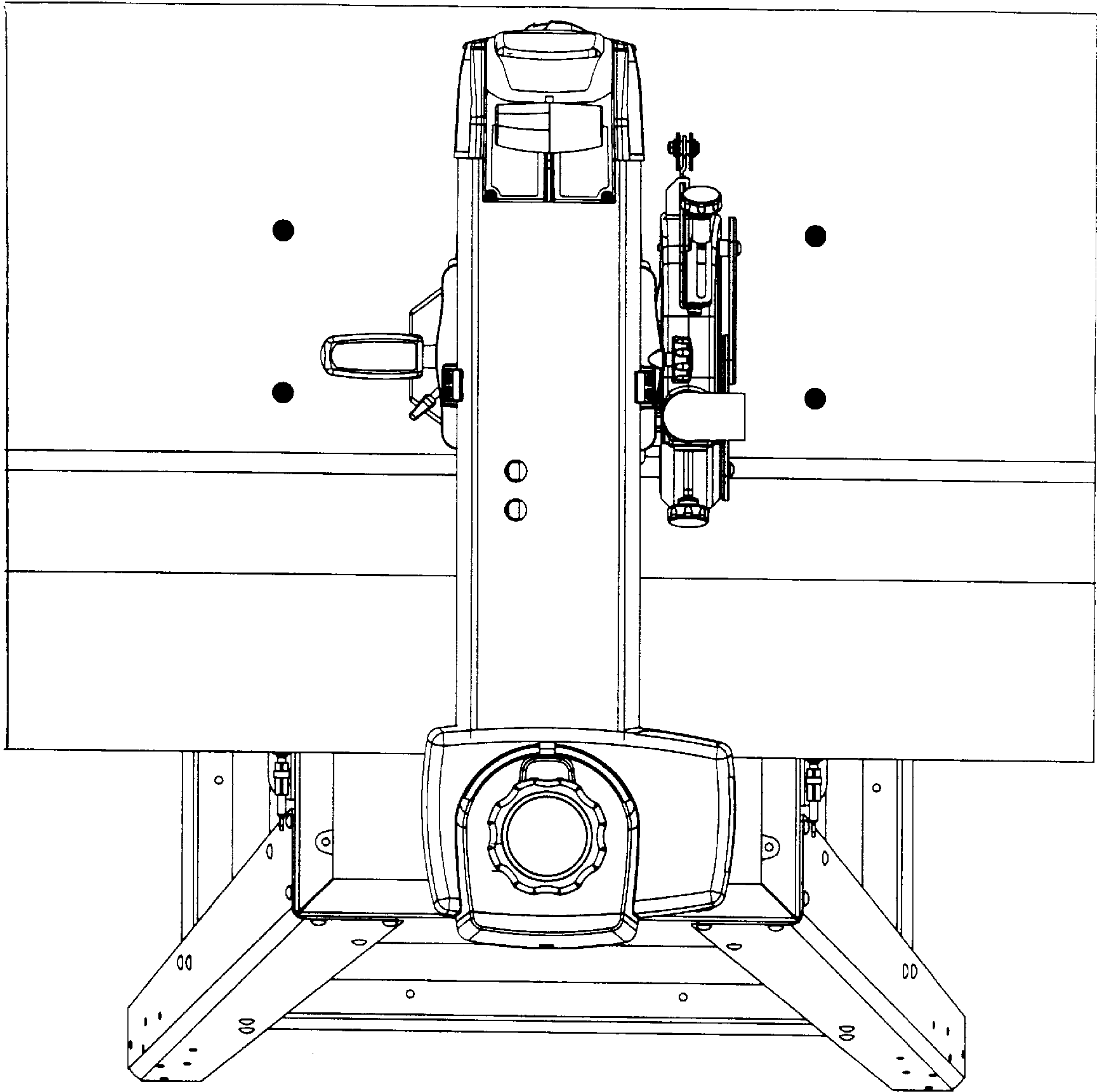


Fig. 7

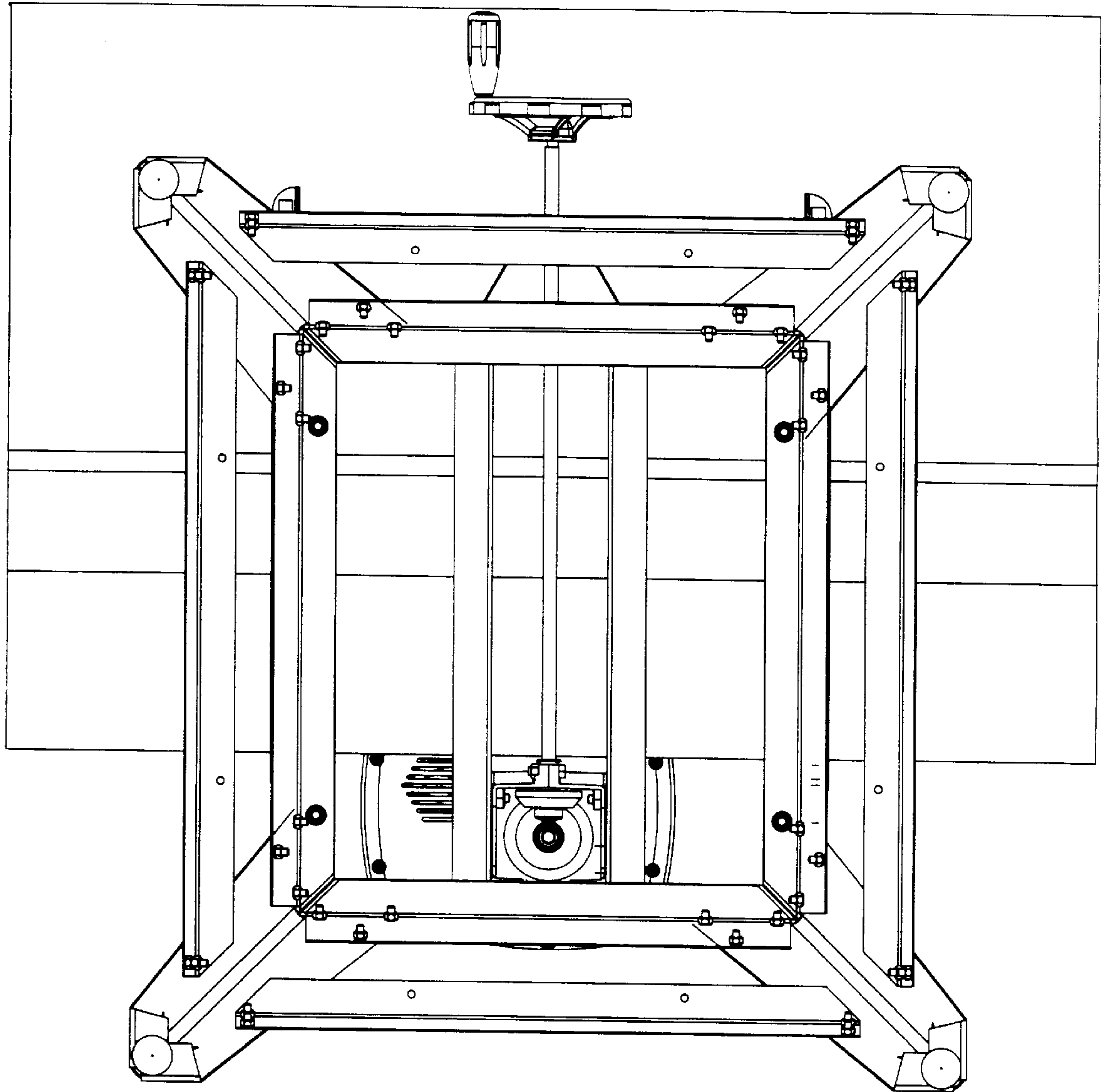


Fig. 8