



US00D418524S

United States Patent [19]

Kato et al.

[11] Patent Number: **Des. 418,524**

[45] Date of Patent: **** Jan. 4, 2000**

[54] SEWING MACHINE

[75] Inventors: **Shigemasa Kato; Sanae Takada; Shigemi Yamamoto**, all of Chofu, Japan

[73] Assignee: **Juki Corporation**, Tokyo, Japan

[**] Term: **14 Years**

[21] Appl. No.: **29/093,945**

[22] Filed: **Sep. 22, 1998**

[30] Foreign Application Priority Data

Mar. 31, 1998 [JP] Japan 10-9070

[51] LOC (7) Cl. **15-06**

[52] U.S. Cl. **D15/69**

[58] Field of Search D15/66-70; 112/217.1-217.4, 112/256-261

[56] References Cited

U.S. PATENT DOCUMENTS

D. 253,347 11/1979 Felix D15/70

D. 347,847	6/1994	Eguchi	D15/69
D. 377,361	1/1997	Chung et al.	D15/70
D. 382,280	8/1997	Kato et al.	D15/69
D. 392,652	3/1998	Takada et al.	D15/70
D. 403,333	12/1998	Takada et al.	D15/70

Primary Examiner—B. J. Bullock
Attorney, Agent, or Firm—Morgan & Finnegan LLP

[57] CLAIM

The ornamental design for a sewing machine, as shown and described.

DESCRIPTION

FIG. 1. is a front view of a sewing machine showing our new design.

FIG. 2. is a back view thereof.

FIG. 3. is a top view thereof.

FIG. 4. is a bottom view thereof.

FIG. 5. is a right side view thereof.

FIG. 6. is a left side view thereof; and,

FIG. 7. is a perspective view thereof.

1 Claim, 4 Drawing Sheets

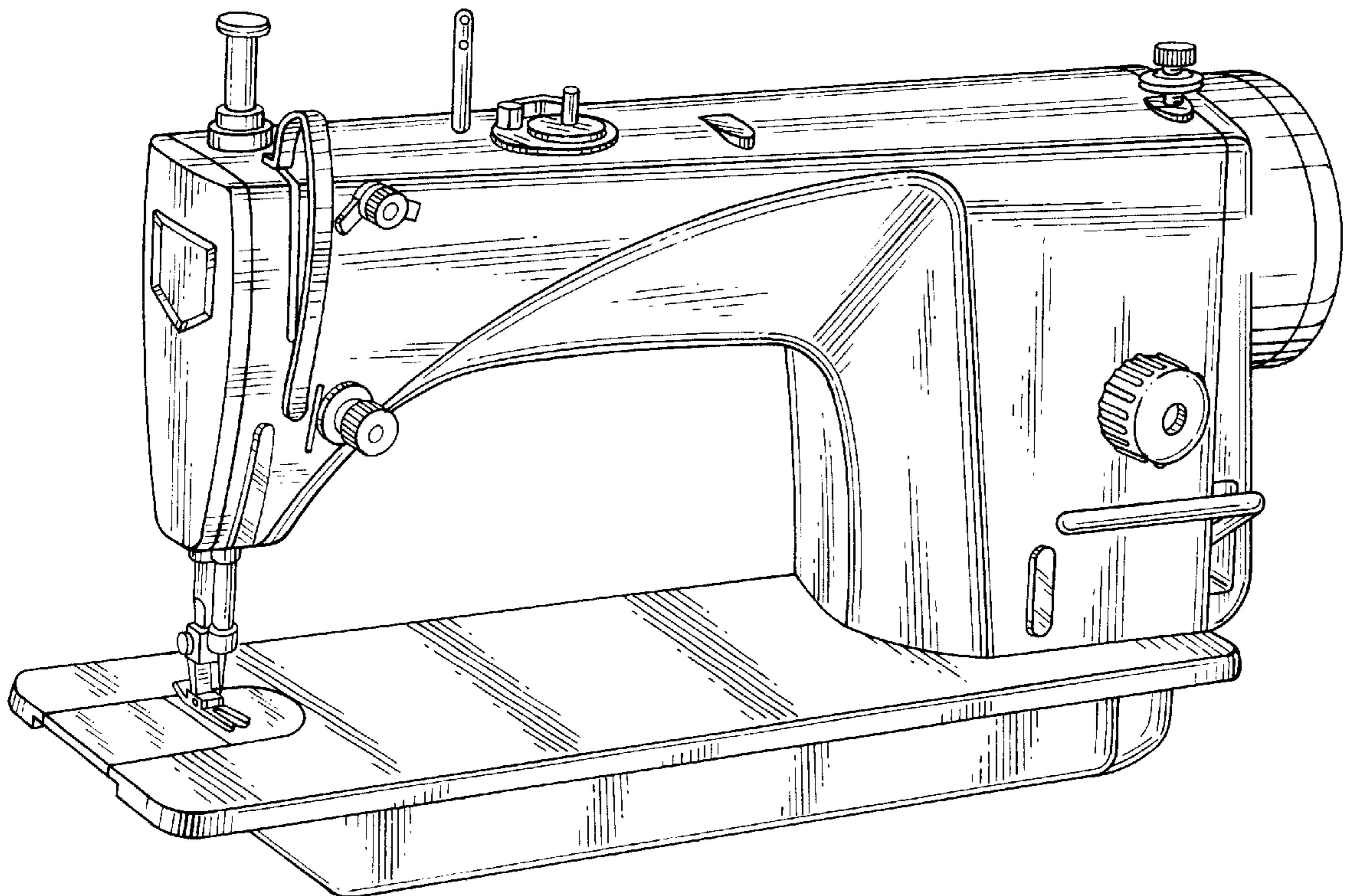


FIG.1

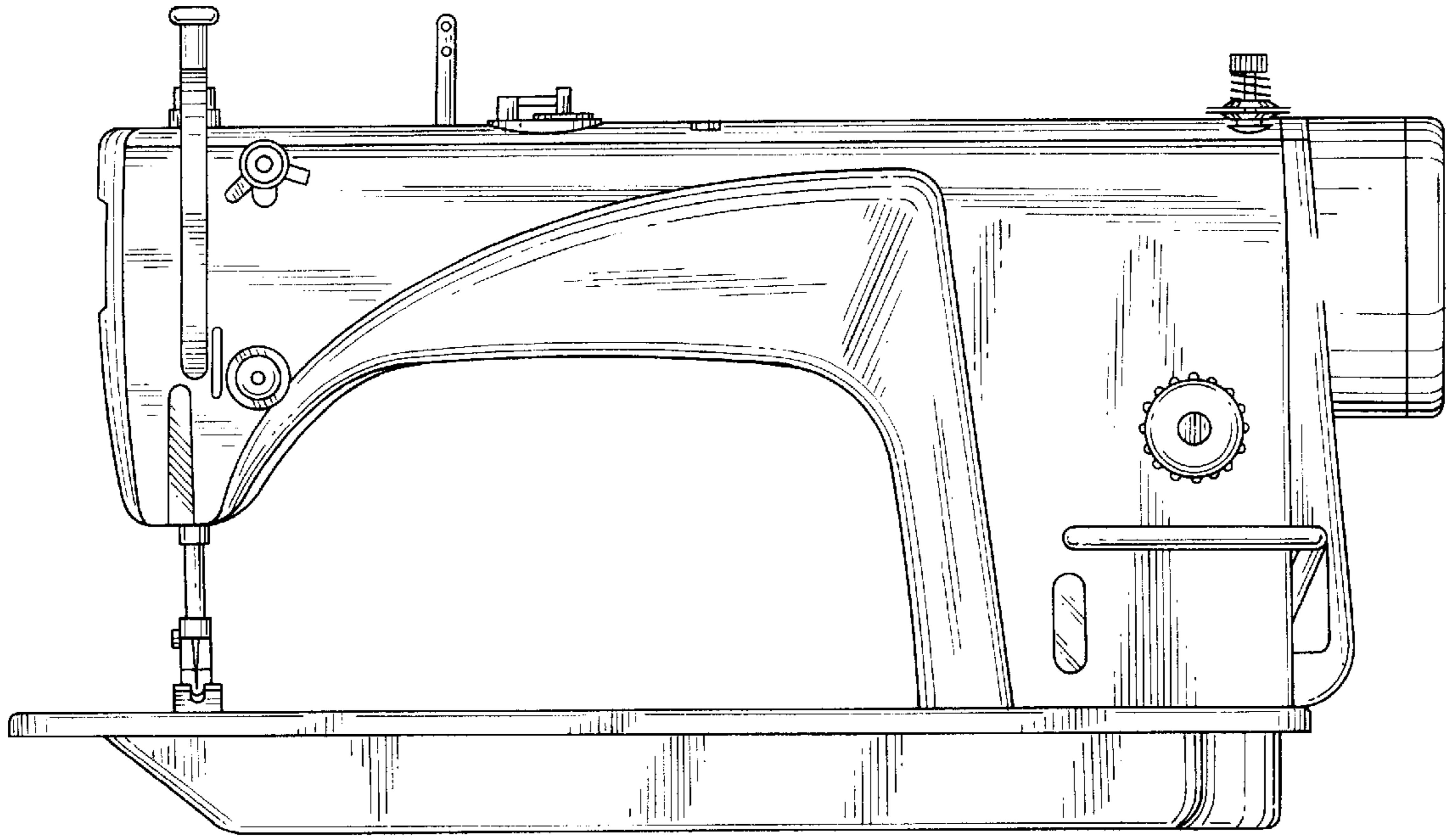


FIG.2

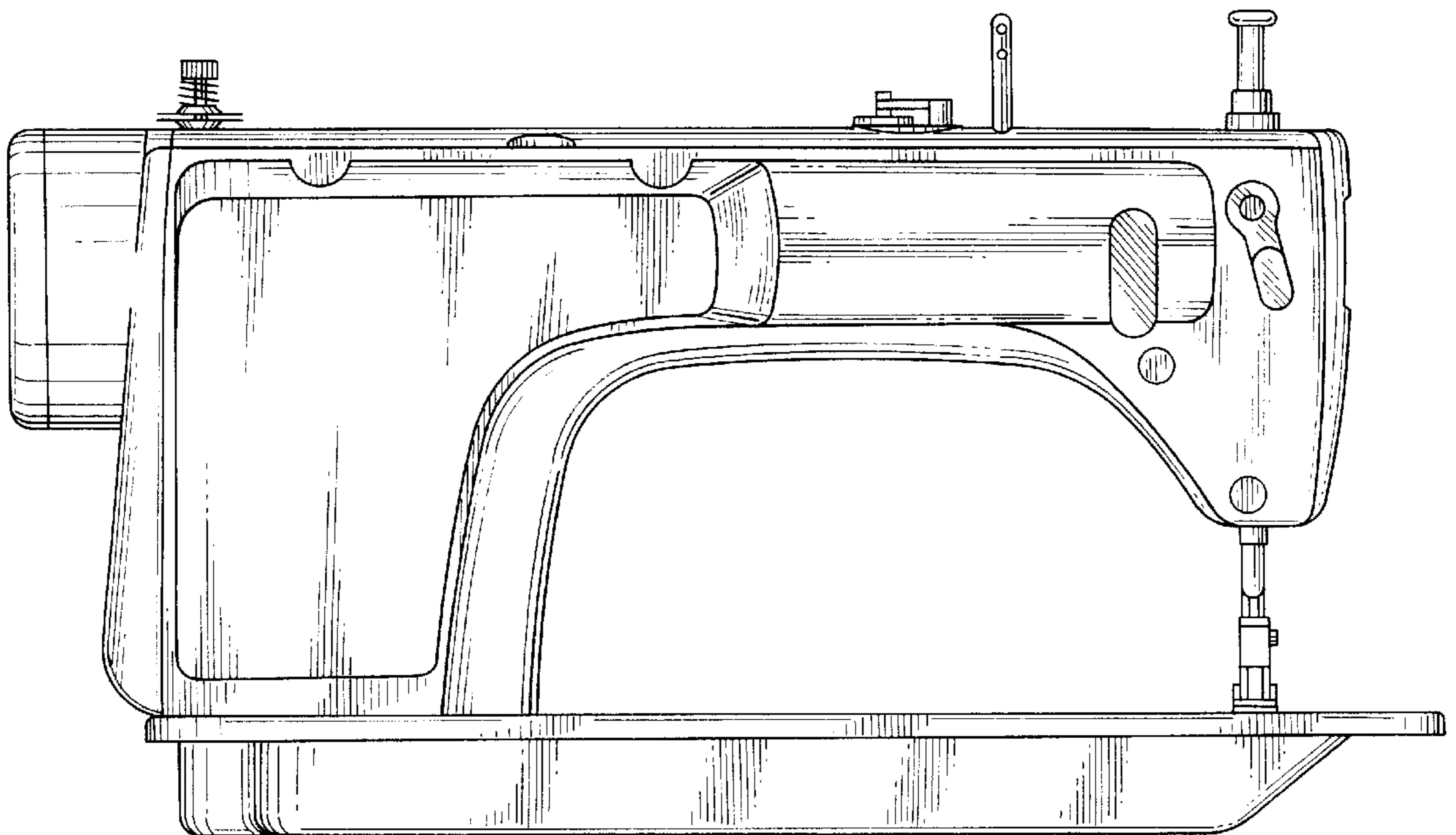


FIG.3

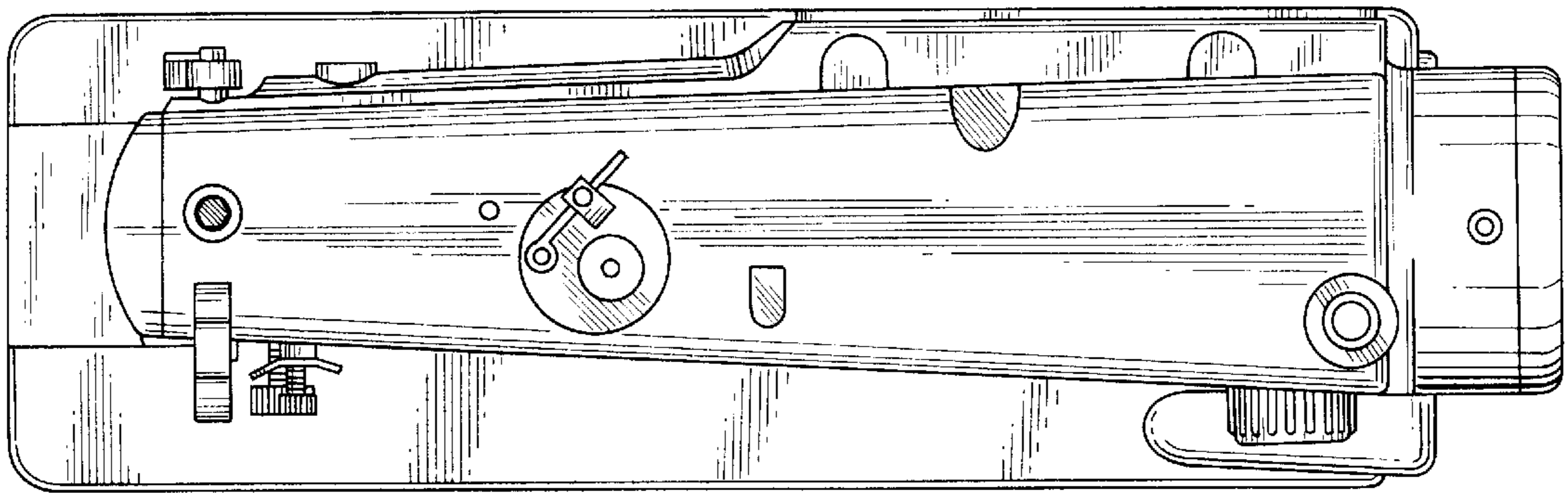


FIG.4

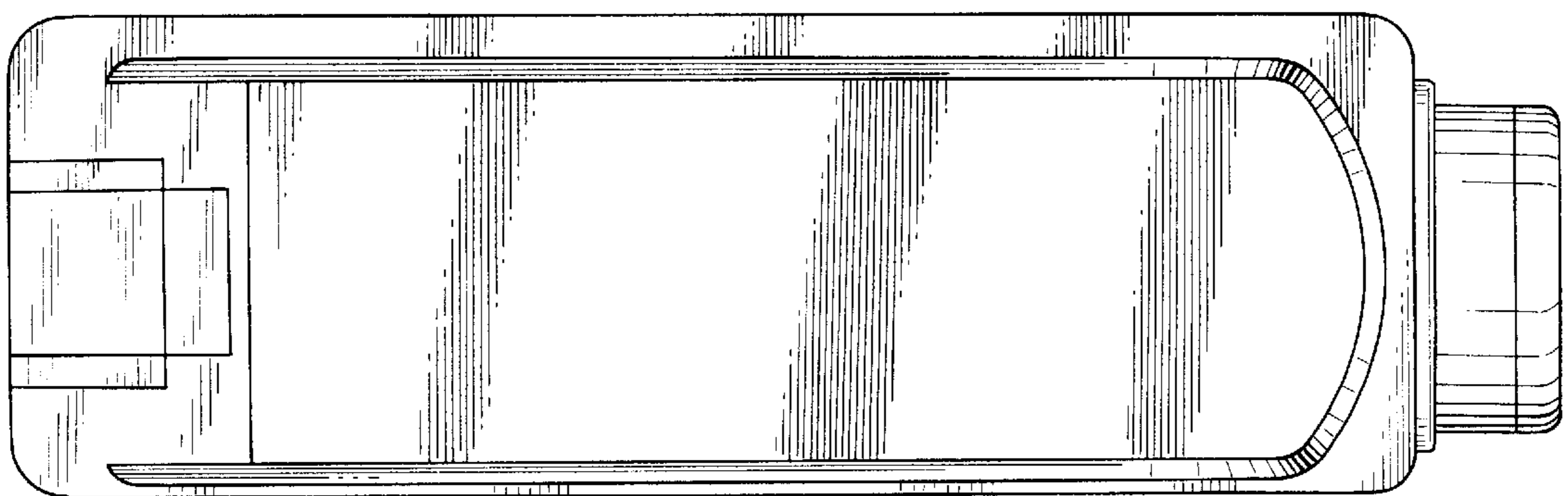


FIG.6

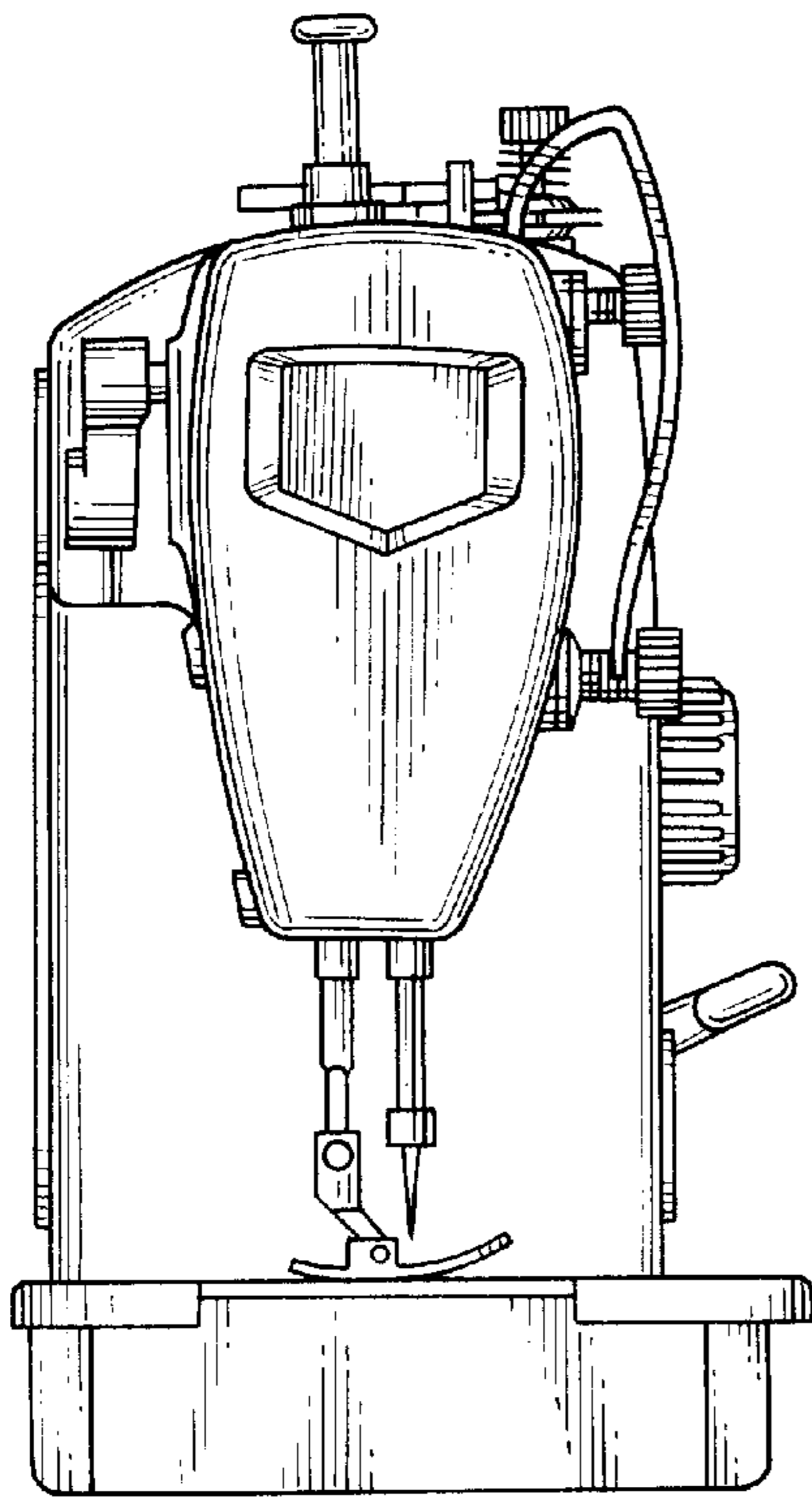


FIG.5

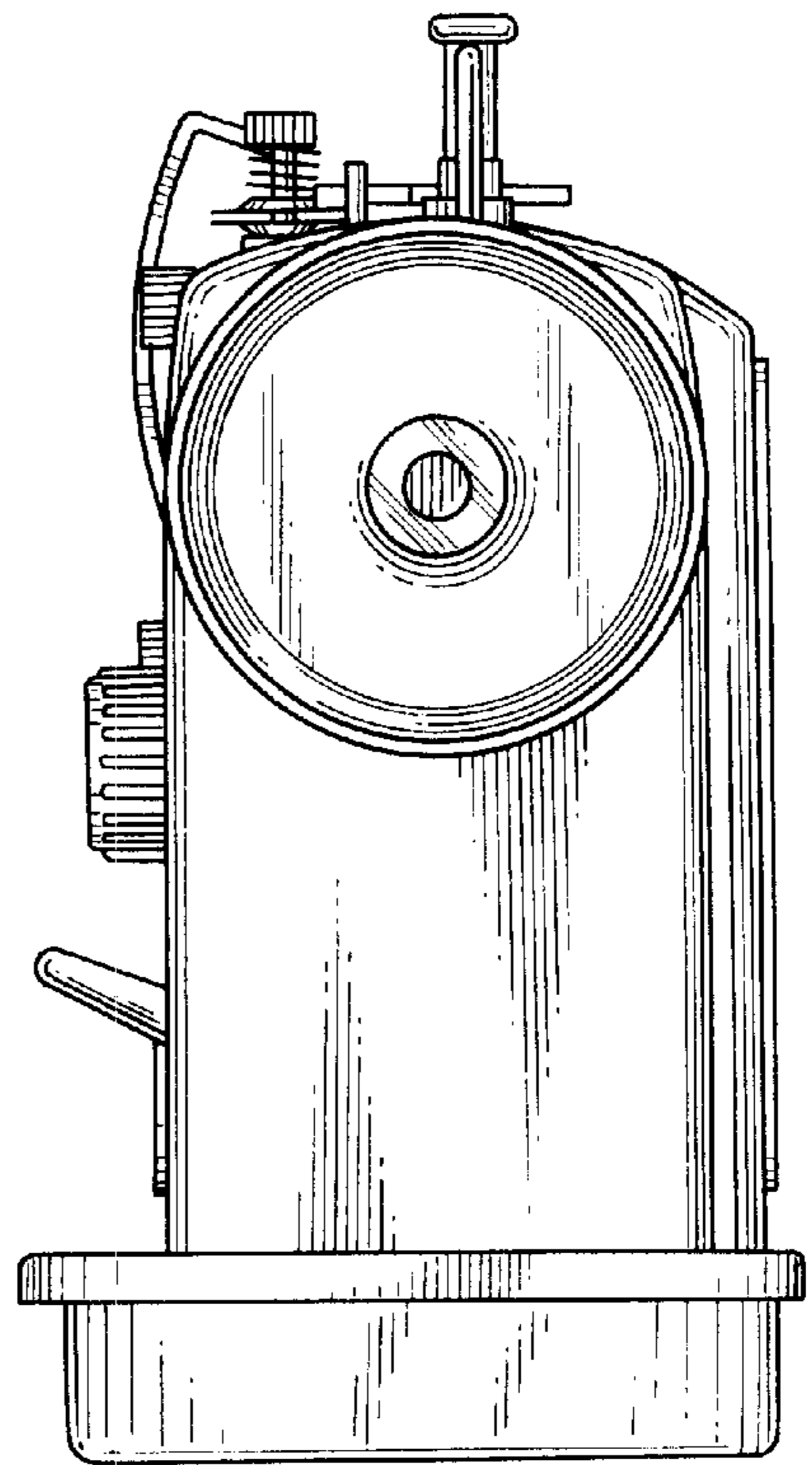


FIG.7

