



US00D418523S

United States Patent [19]

[11] **Patent Number: Des. 418,523**

McSpadden et al.

[45] **Date of Patent: ** Jan. 4, 2000**

[54] **FUEL DISPENSING UNIT**

[75] Inventors: **John S. McSpadden**, Greensboro, N.C.; **Cheryl Felix**, Bedford; **Charles C. Keane**, Hingham, both of Mass.

[73] Assignee: **Gilbarco Inc.**, Greensboro, N.C.

[**] Term: **14 Years**

[21] Appl. No.: **29/092,913**

[22] Filed: **Aug. 31, 1998**

[51] **LOC (7) Cl.** **15-02**

[52] **U.S. Cl.** **D15/9.1**

[58] **Field of Search** D15/9.1, 9.2; 137/234.6; 222/23, 26, 28, 71, 74, 372; 141/198; 251/129.64; D14/105; D99/28; D10/96

“V390U” (1994).
“Customer Interface Terminal”. No Date.
“Horizon 2000 Series Dispenser”. No Date.
“The Premier Series H422B: with Insight” (Aug. 1997).
“Dispensers”. No Date.
“The Advantage Series Model Guide” by Gilbarco Inc. (1996).
“Multidispenser Advantagae”. No Date.
“Universal Univision” by Universal Epsco, Inc. (1995).
“Centurion—A Sophisticated and Reliable Dispenser” by Schlumberger Electronics Transaction (1997).

Primary Examiner—Ralf Seifert
Attorney, Agent, or Firm—Jenkins & Wilson, P.A.

[57] **CLAIM**

The ornamental design for a fuel dispensing unit, as shown and described.

[56] **References Cited**

U.S. PATENT DOCUMENTS

D. 237,823	11/1975	Gray	D15/9.2
D. 238,895	2/1976	Albright	D15/9.2
D. 244,563	5/1977	Taylor et al.	D15/9.1
D. 258,440	3/1981	Gray	D15/9.2
D. 258,441	3/1981	Gray	D15/9.2
D. 262,971	2/1982	Robinson, Jr. et al.	D15/9.2
D. 265,092	6/1982	Robinson, Jr. et al.	D15/9.2
D. 287,498	12/1986	Monigle et al.	D15/9.2
D. 306,719	3/1990	Austin et al.	D14/105
D. 309,144	7/1990	Austin et al.	D15/9.2
D. 316,471	4/1991	Austin et al.	D99/43
4,930,665	6/1990	Devine	222/28

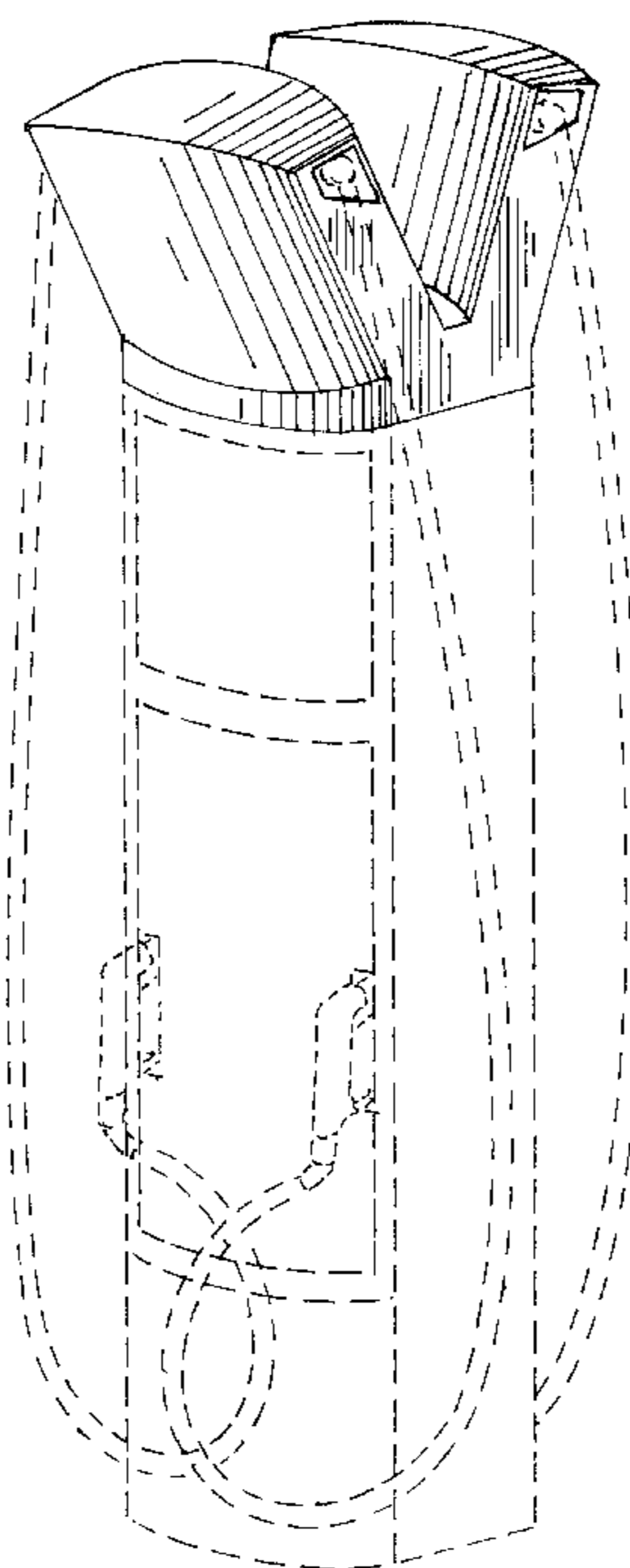
OTHER PUBLICATIONS

“BP Apollo—NZ Trial Site Review” (Aug. 14, 1998).
“Loyalty Builders”. No Date.
“V390” (1994).

DESCRIPTION

FIG. 1 is a right front perspective view of a fuel dispenser showing our new design;
FIG. 2 is a front elevational view thereof;
FIG. 3 is a right side elevational view wherein the left side is similar in appearance to the right side;
FIG. 4 is a left rear perspective view thereof;
FIG. 5 is a top plan view thereof; and,
FIG. 6 is a bottom view thereof.
The broken line showing of the bottom portion of a fuel dispensing unit in FIGS. 1–4 and 6, hoses and fuel guns in FIGS. 1–4 and of partial hoses in FIGS. 5 and 6 is for illustrative purposes only and forms no part of the claimed design.

1 Claim, 3 Drawing Sheets



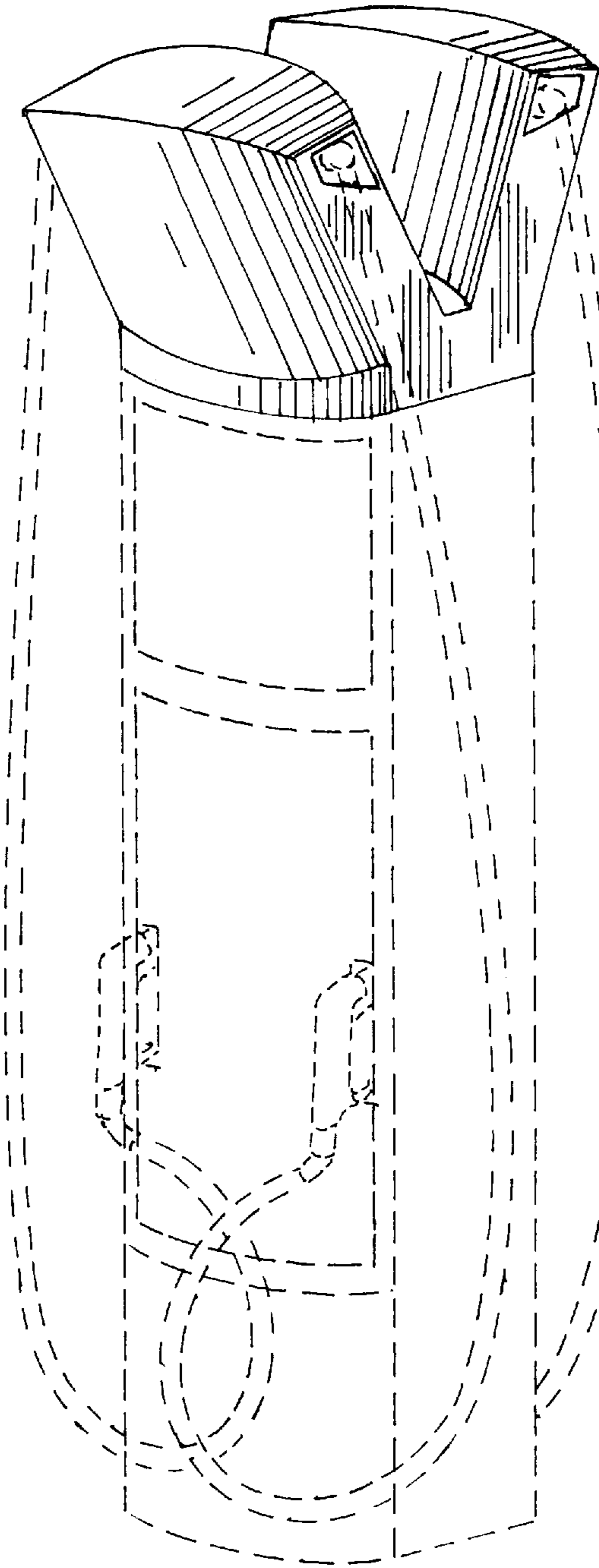


FIG.1

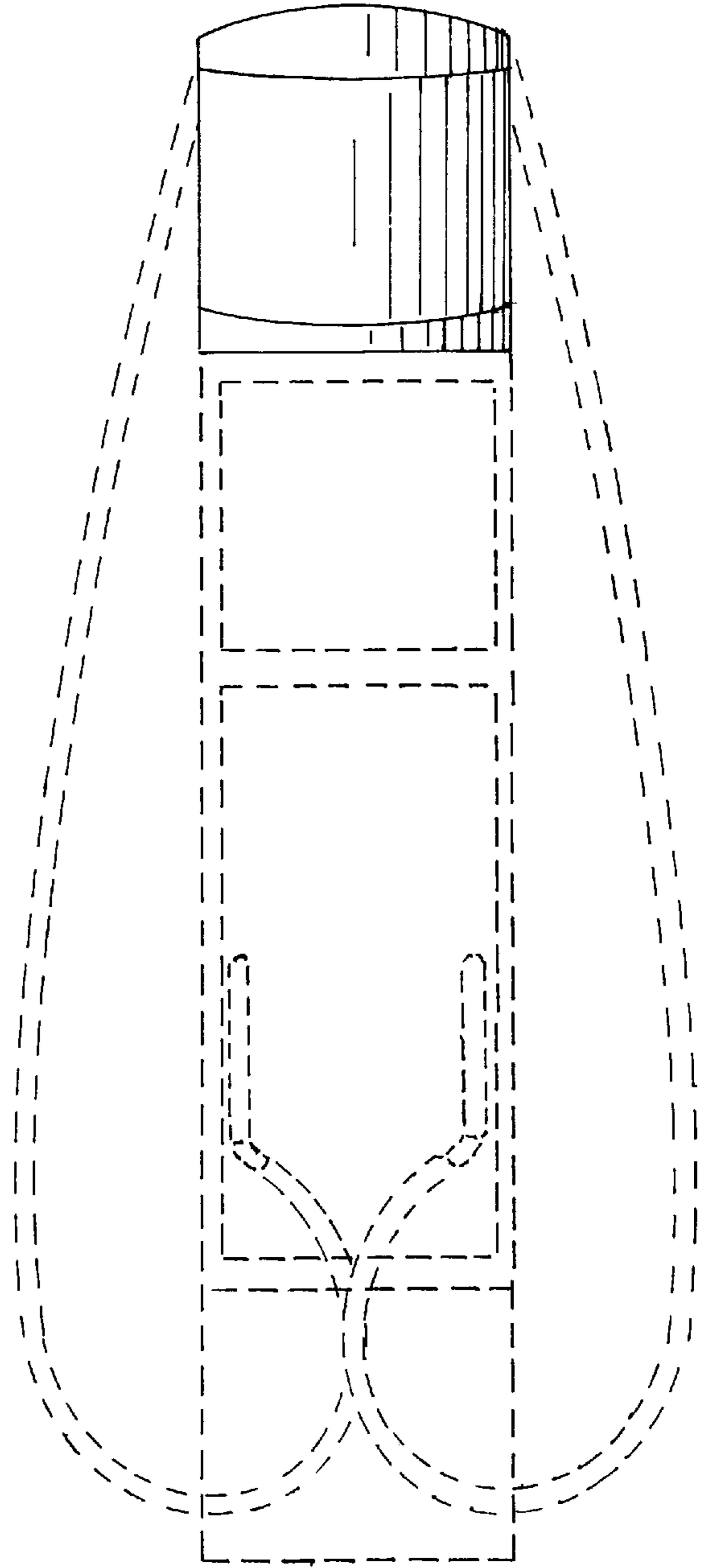


FIG.2

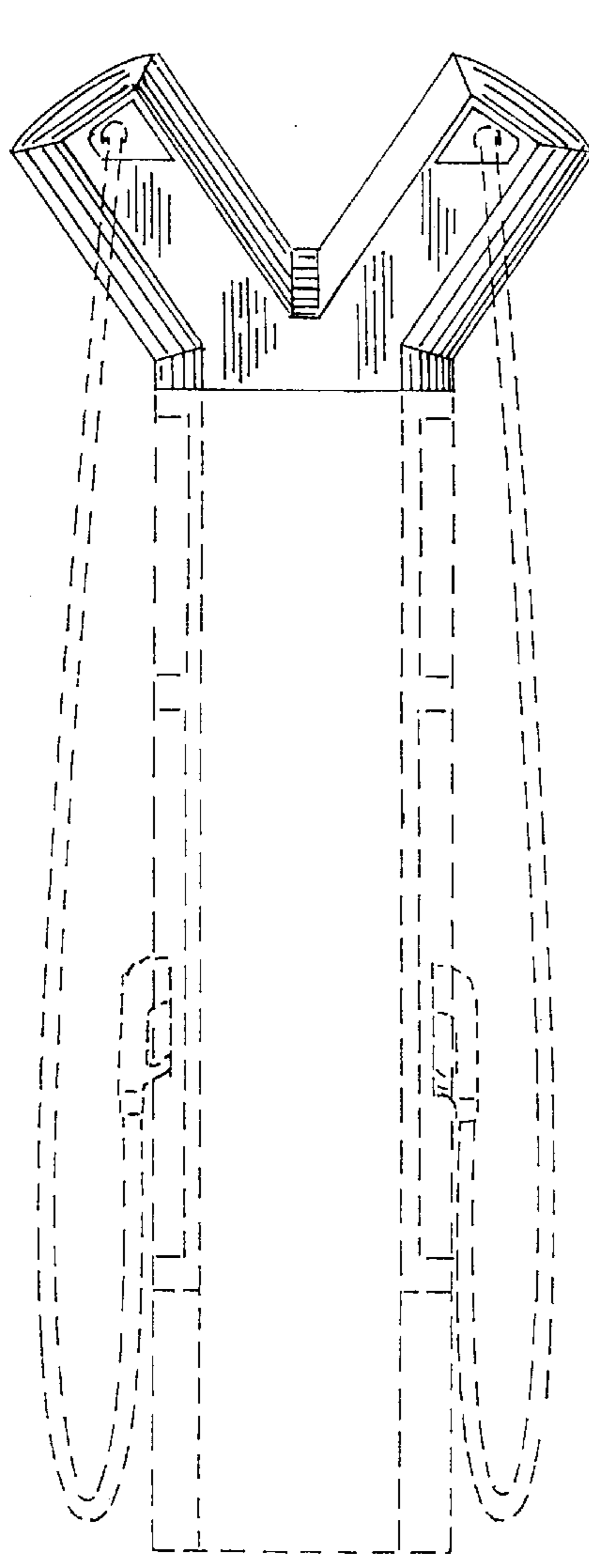


Fig. 3

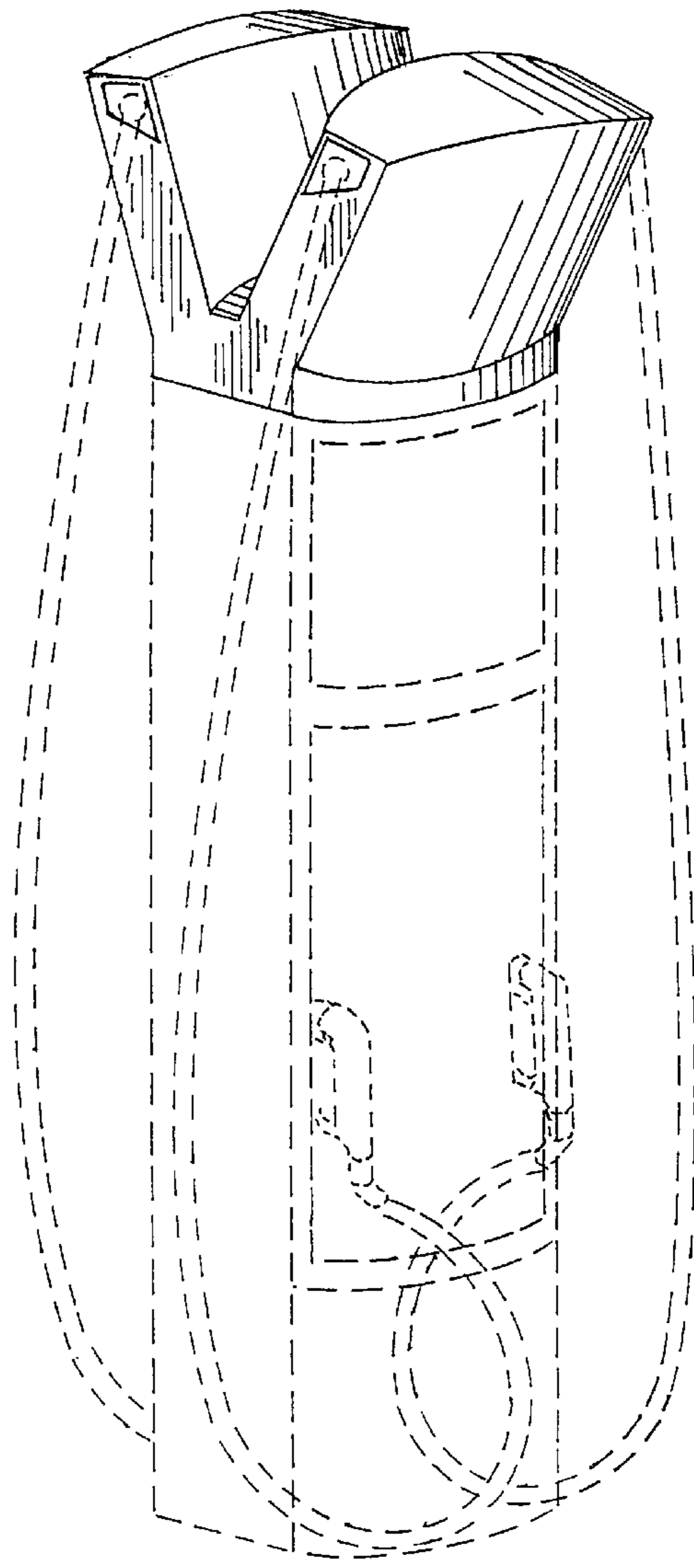


Fig. 4

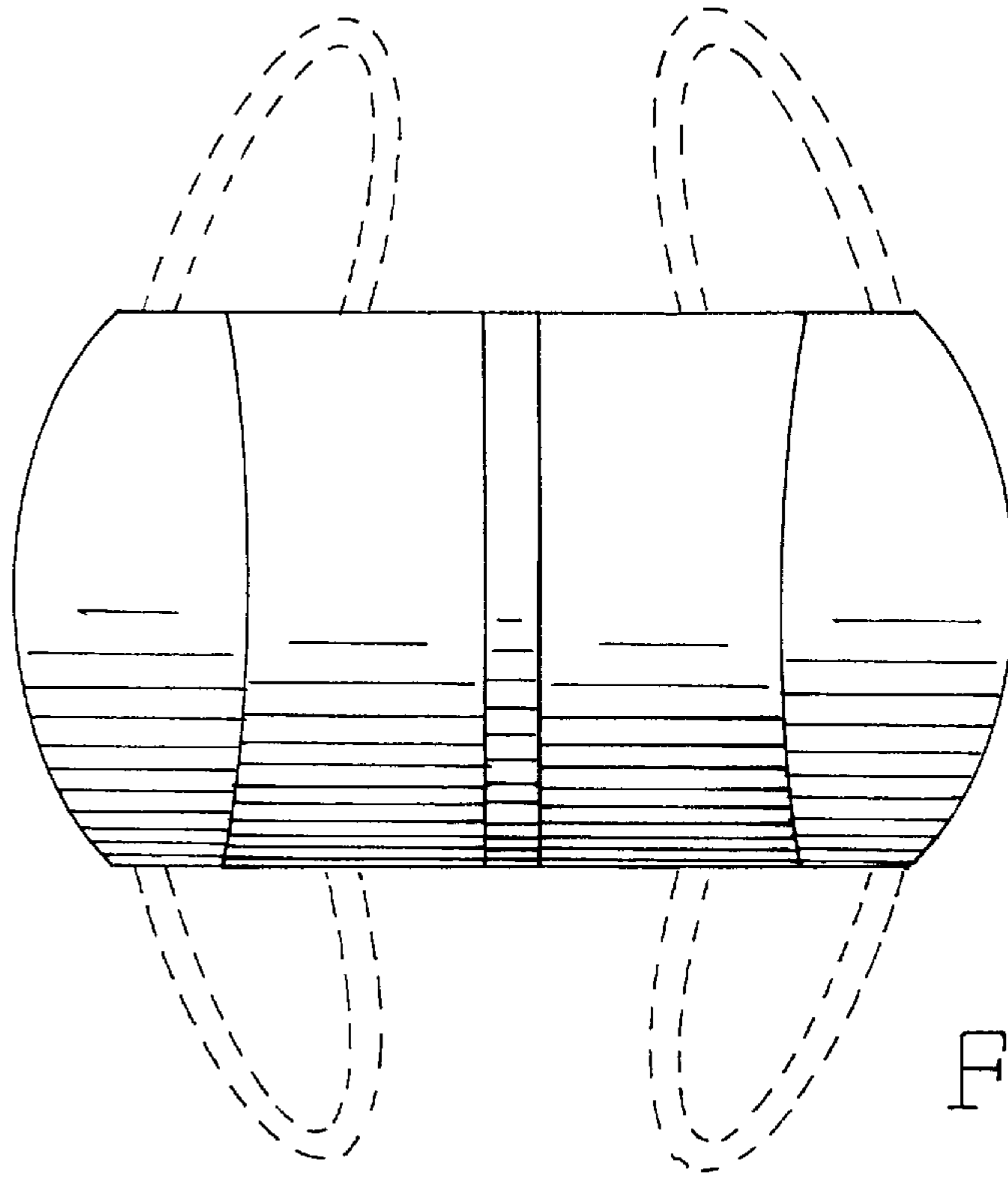


FIG. 5

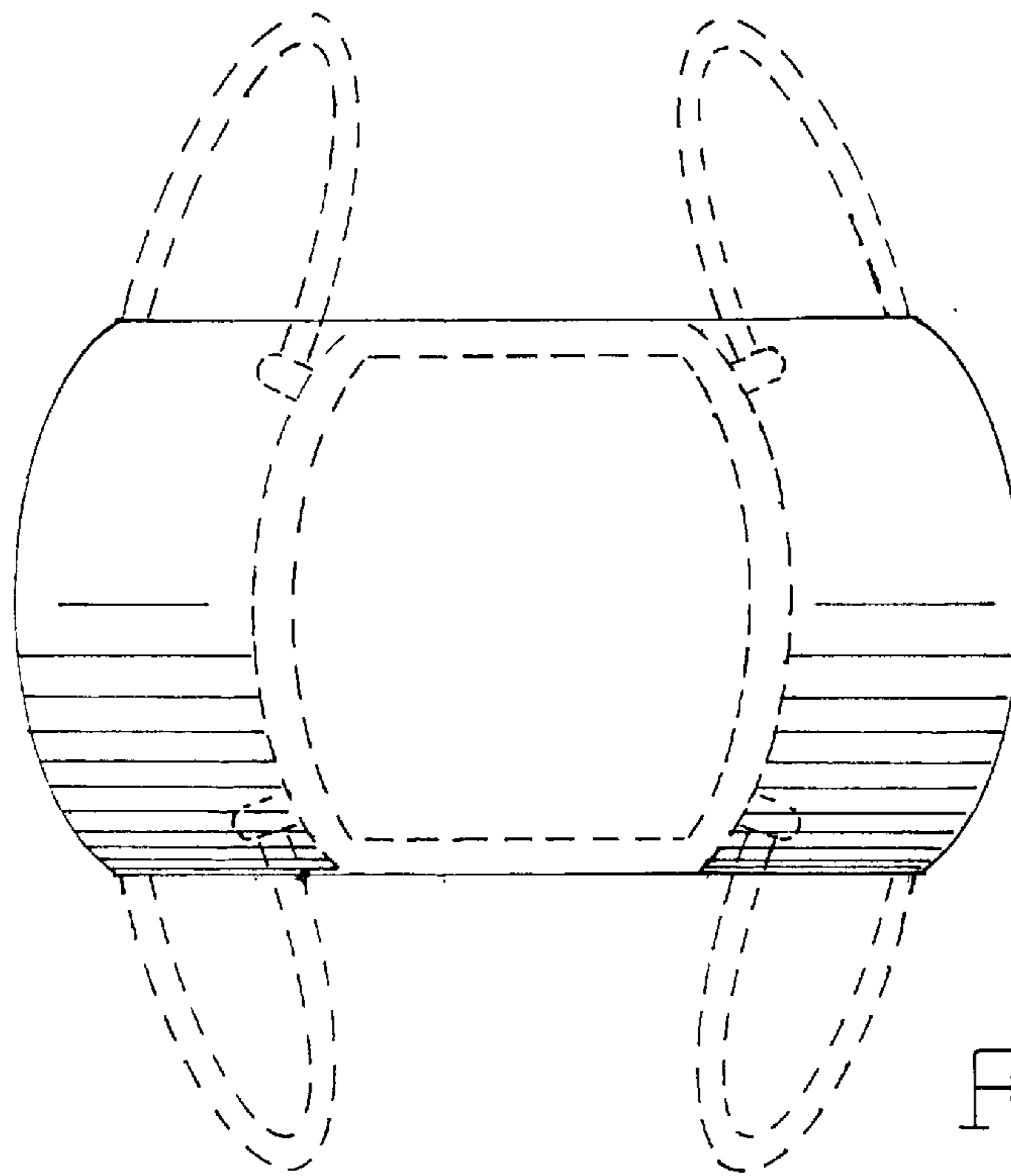


FIG. 6