



US00D418522S

# United States Patent [19] Angel

[11] **Patent Number: Des. 418,522**

[45] **Date of Patent: \*\* Jan. 4, 2000**

[54] **PUMP CASING**

[75] **Inventor: Geoffrey Dennis Angel, Welwyn, United Kingdom**

[73] **Assignee: Huntleigh Technology, PLC, Bedfordshire, United Kingdom**

[\*\*] **Term: 14 Years**

[21] **Appl. No.: 29/094,426**

[22] **Filed: Oct. 1, 1998**

[30] **Foreign Application Priority Data**

Apr. 1, 1998 [GB] United Kingdom ..... 2073615

[51] **LOC (7) Cl. .... 15-02**

[52] **U.S. Cl. .... D15/7**

[58] **Field of Search ..... D15/7-9; D24/169; 604/289; 601/162; 128/200.14, 204.21**

[56] **References Cited**

**U.S. PATENT DOCUMENTS**

D. 348,927 7/1994 Attolini ..... D24/110  
D. 355,918 2/1995 Wang ..... D15/9

D. 374,075 9/1996 Lee ..... D15/7  
D. 384,081 9/1997 Wang ..... D15/7  
D. 394,440 5/1998 Chen ..... D15/9  
D. 406,150 2/1999 Wang ..... D15/9

*Primary Examiner*—Ralf Seifert  
*Attorney, Agent, or Firm*—Brown Raysman Millstein Felder & Steiner LLP

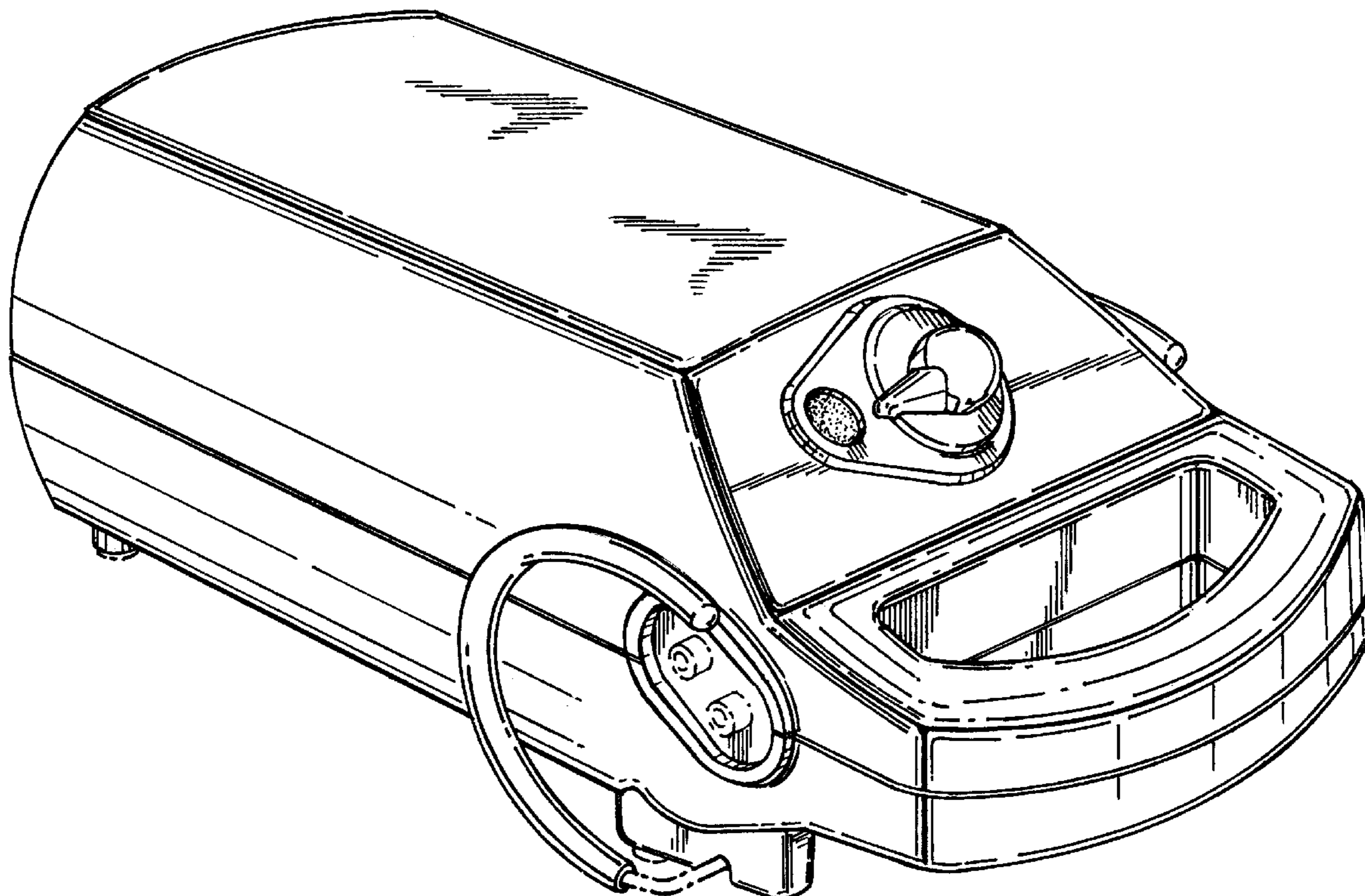
[57] **CLAIM**

The ornamental design for a pump casing, as shown and described.

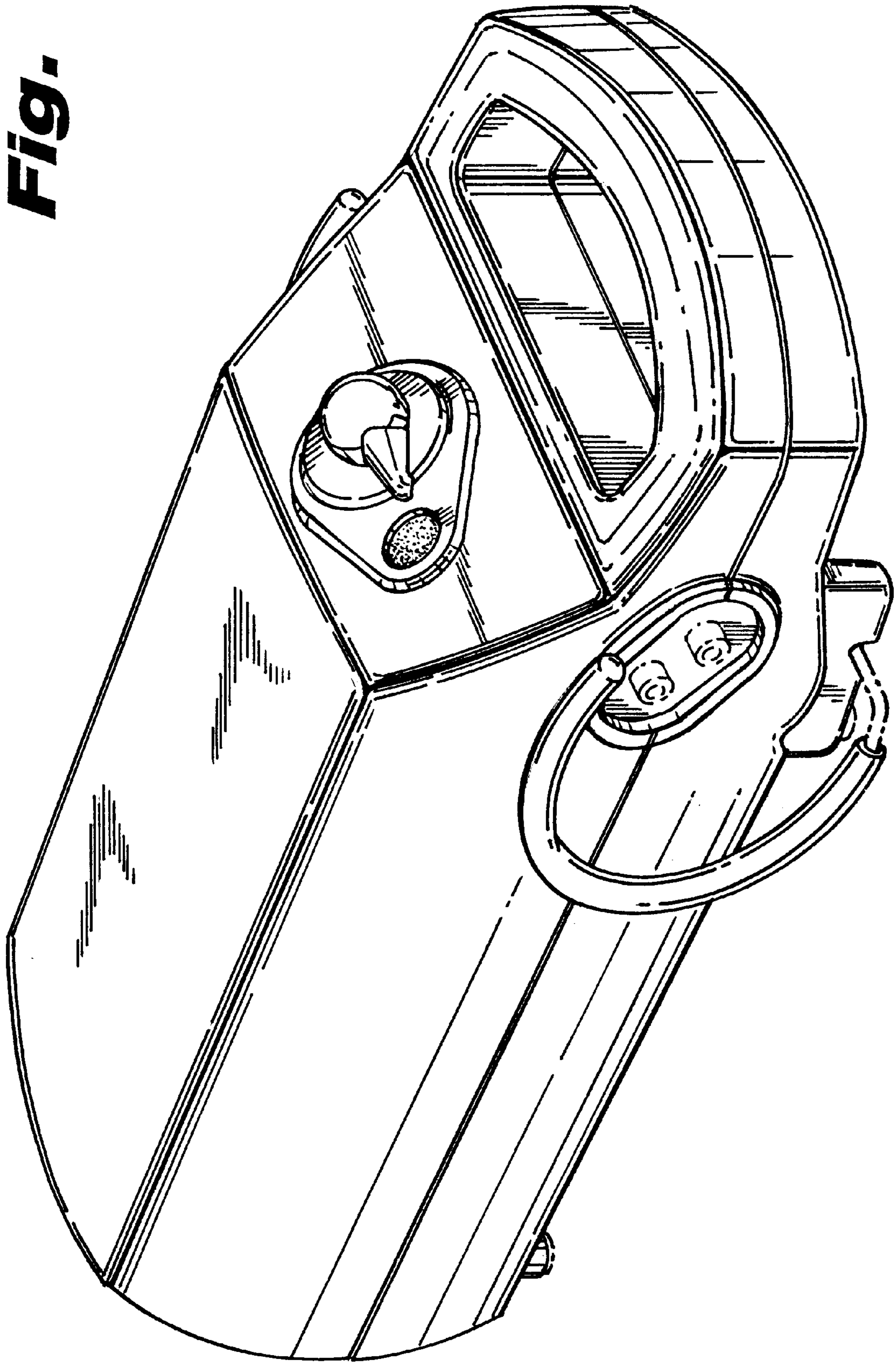
**DESCRIPTION**

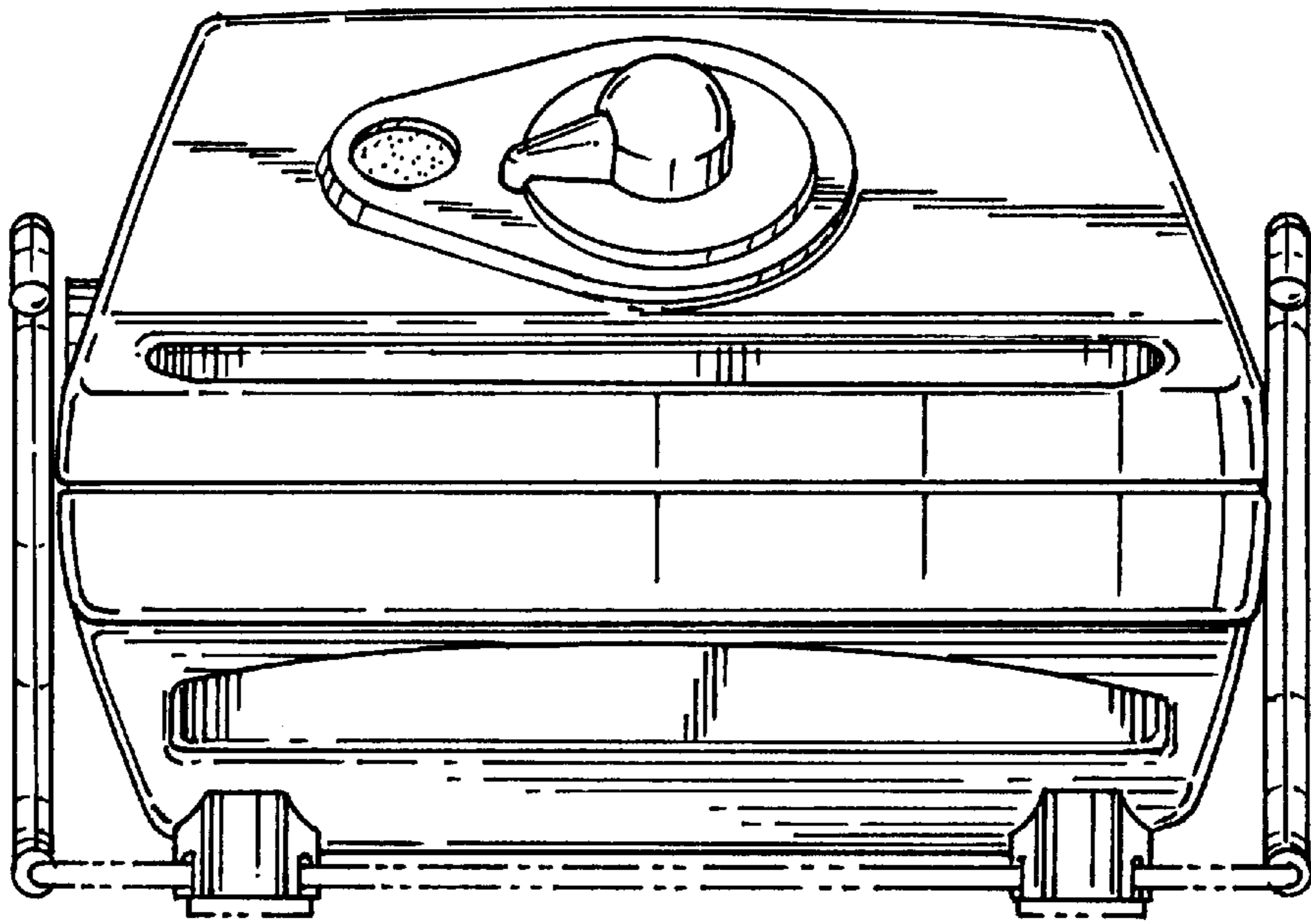
FIG. 1 is a front and right side perspective view of a pump casing for the new design;  
FIG. 2 is a front plan view thereof;  
FIG. 3 is a back plan view thereof;  
FIG. 4 is a right side plan view thereof;  
FIG. 5 is a left side plan view thereof;  
FIG. 6 is a top plan view thereof;  
FIG. 7 is a bottom plan view thereof; and,  
FIG. 8 is a top and right side perspective view of the pump casing with arms deployed.

**1 Claim, 7 Drawing Sheets**

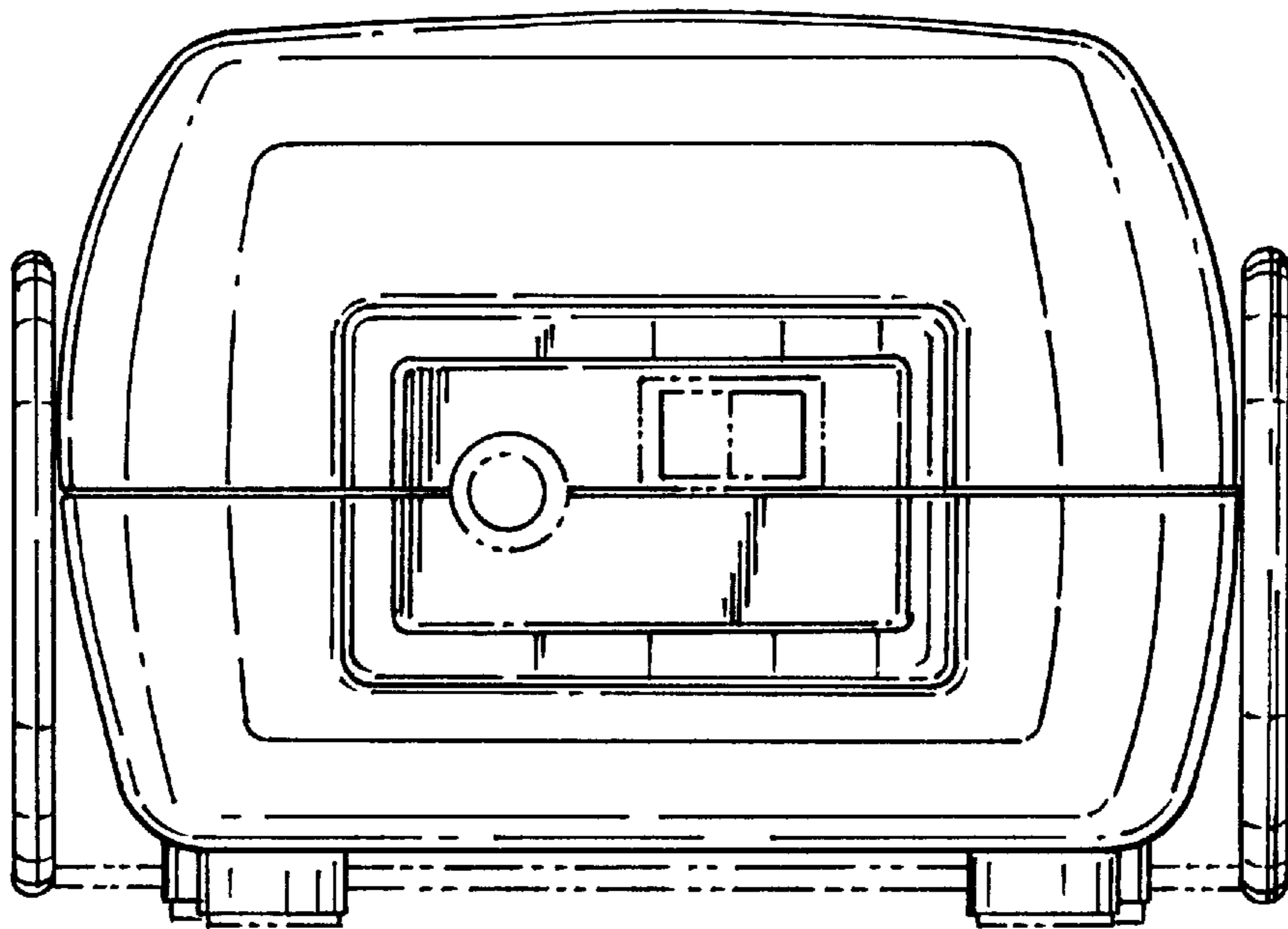


**Fig. 1**





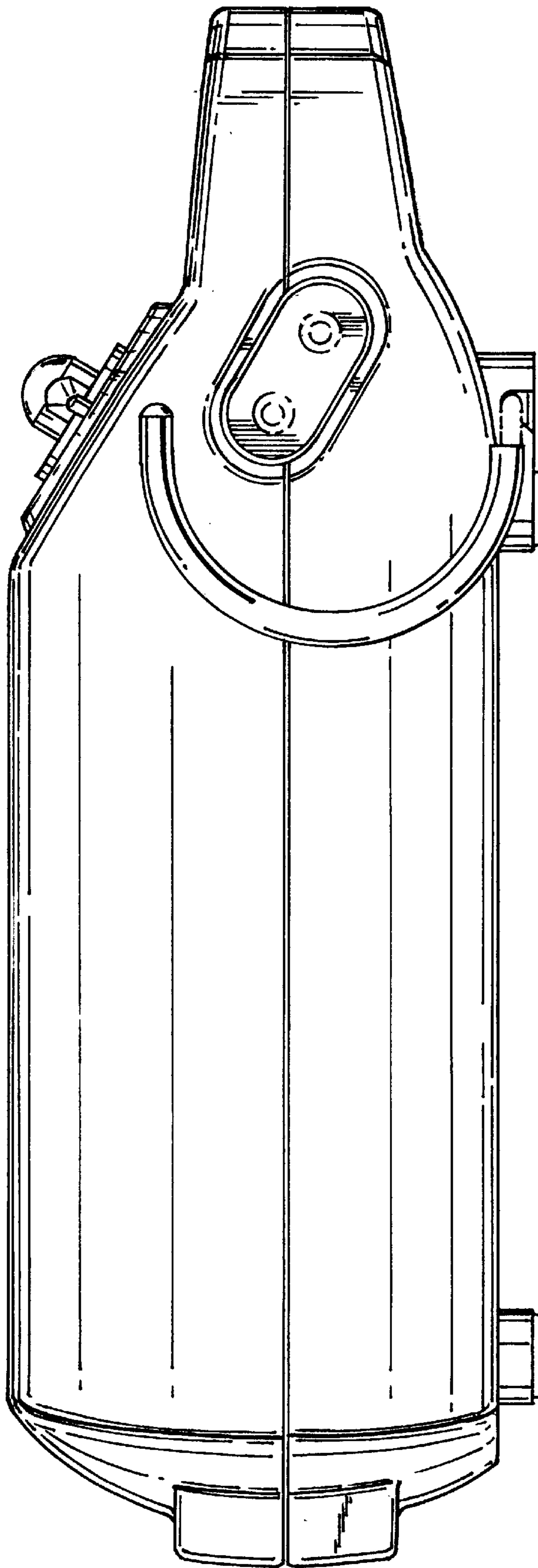
**Fig. 2**



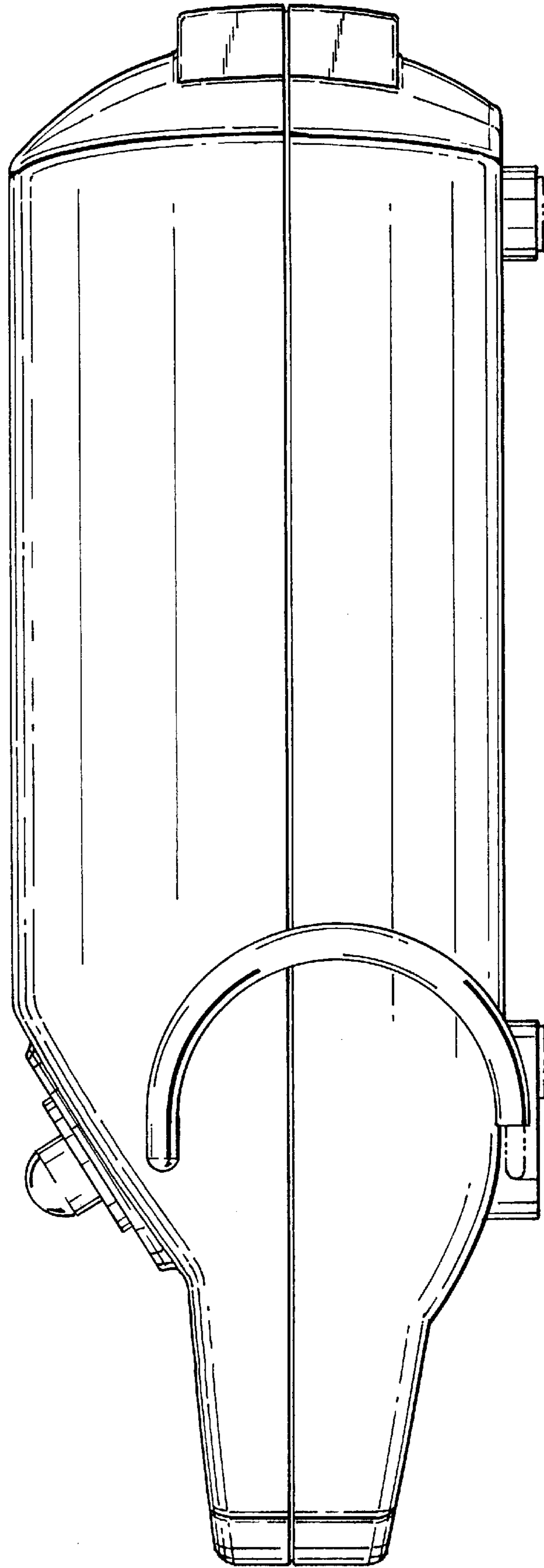
**Fig. 3**

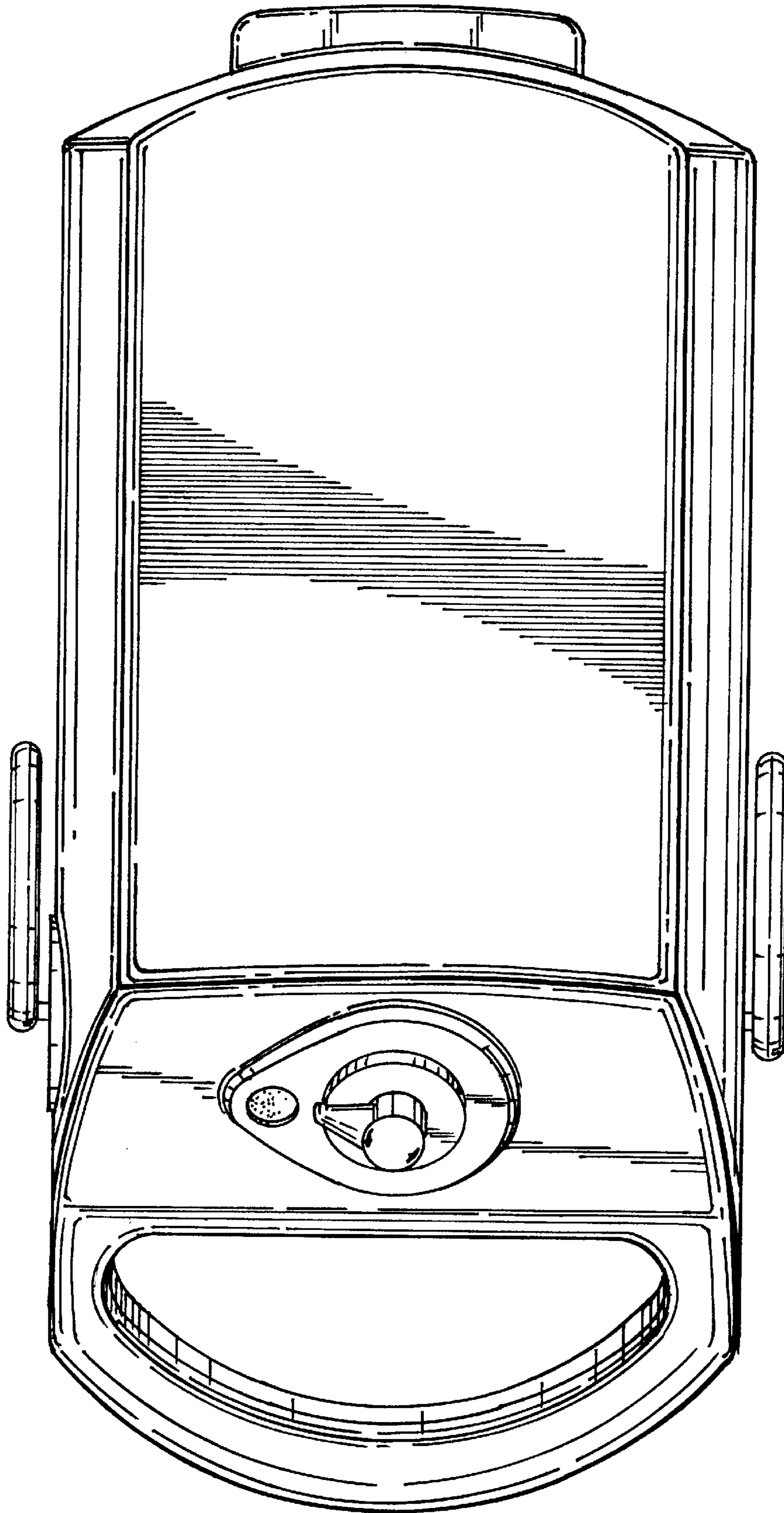


**Fig. 4**



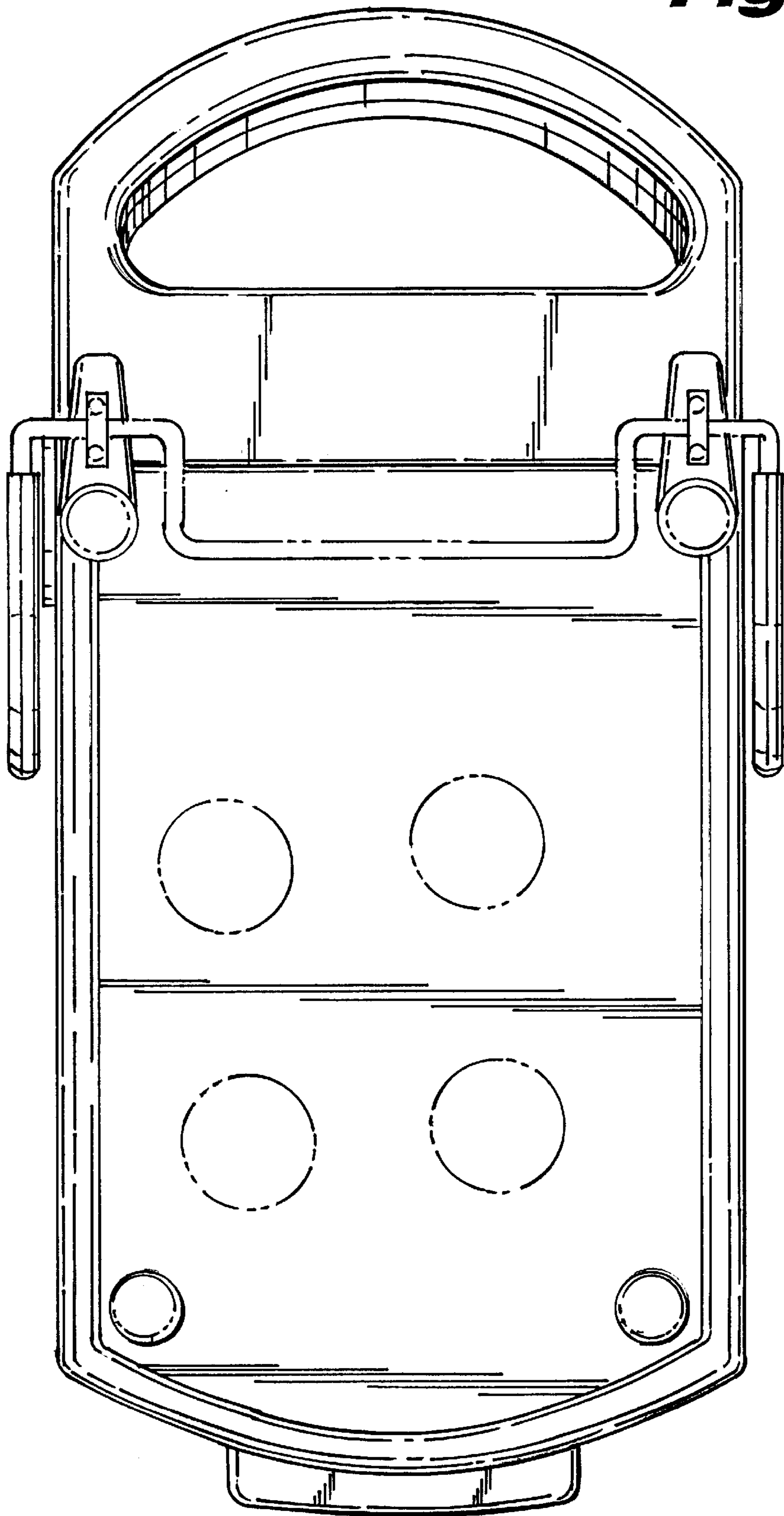
**Fig. 5**

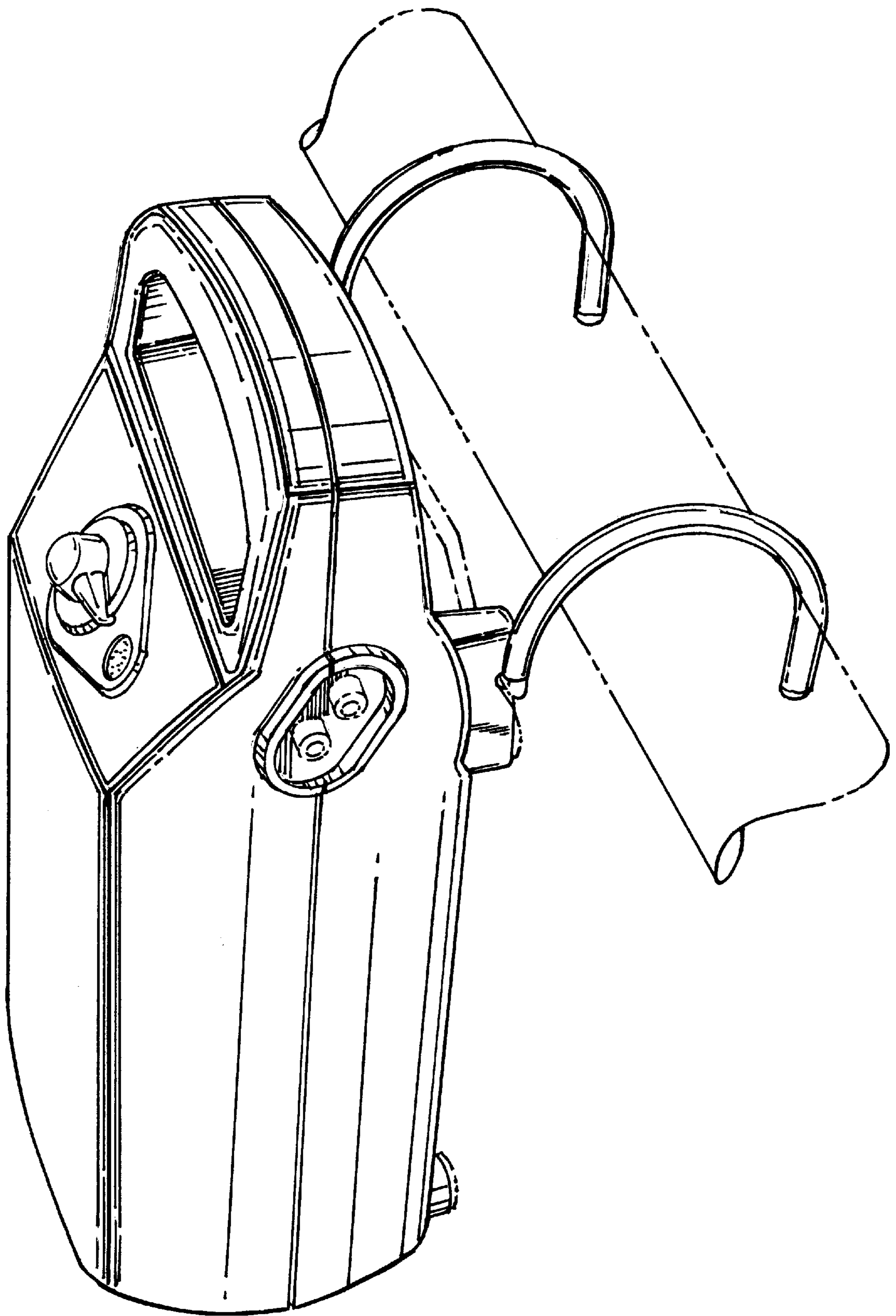




**Fig. 6**

**Fig. 7**





**Fig. 8**