



US00D418521S

United States Patent [19] Hansen

[11] **Patent Number: Des. 418,521**
[45] **Date of Patent: ** Jan. 4, 2000**

[54] **TROLLING MOTOR**

[75] Inventor: **Ronald P. Hansen**, Mapleton, Minn.

[73] Assignee: **Johnson Worldwide Associates**,
Sturtevant, Wis.

[**] Term: **14 Years**

[21] Appl. No.: **29/101,676**

[22] Filed: **Mar. 9, 1999**

Related U.S. Application Data

[62] Division of application No. 29/094,375, Sep. 30, 1998.

[51] **LOC (7) Cl.** **15-01**

[52] **U.S. Cl.** **D15/4**

[58] **Field of Search** D15/4; 206/319;
440/2-4, 6, 53; 290/43, 46, 54; D13/112

[56] References Cited

U.S. PATENT DOCUMENTS

- D. 153,704 5/1949 Kiekhaefer .
- D. 155,904 11/1949 Kiekhaefer .
- D. 182,335 3/1958 Kiekhaefer .
- D. 286,157 10/1986 Mikado et al. D15/4
- D. 289,169 4/1987 Mikado et al. D15/4
- D. 330,898 11/1992 Capra D15/4
- D. 331,410 12/1992 Binversie et al. D15/4
- 3,989,000 11/1976 Foley, Jr. .

- 4,151,807 5/1979 Black, Jr. .
- 4,386,918 6/1983 Matthews et al. .
- 4,698,032 10/1987 Hill .
- 4,735,166 4/1988 Dimalanta .
- 5,046,974 9/1991 Griffin, Jr. et al. .
- 5,439,401 8/1995 Clark .

OTHER PUBLICATIONS

JWA Marine 1997/JWA Minn Kota Electric Fishing Motors—pp. 1-52.

Primary Examiner—Ralf Seifert
Attorney, Agent, or Firm—Foley & Lardner

[57] CLAIM

The ornamental design of a trolling motor, as shown and described.

DESCRIPTION

FIG. 1 is a top perspective view of a trolling motor showing my new design;
FIG. 2 is a right side elevational view thereof;
FIG. 3 is the left side elevational thereof;
FIG. 4 is a rear elevational view thereof;
FIG. 5 is front elevational view thereof;
FIG. 6 is a top plan view thereof; and,
FIG. 7 is a bottom plan view thereof.
The broken line showing, in FIGS. 1-7, is illustrative of environmental structure only and forms no part of the claimed design.

1 Claim, 3 Drawing Sheets

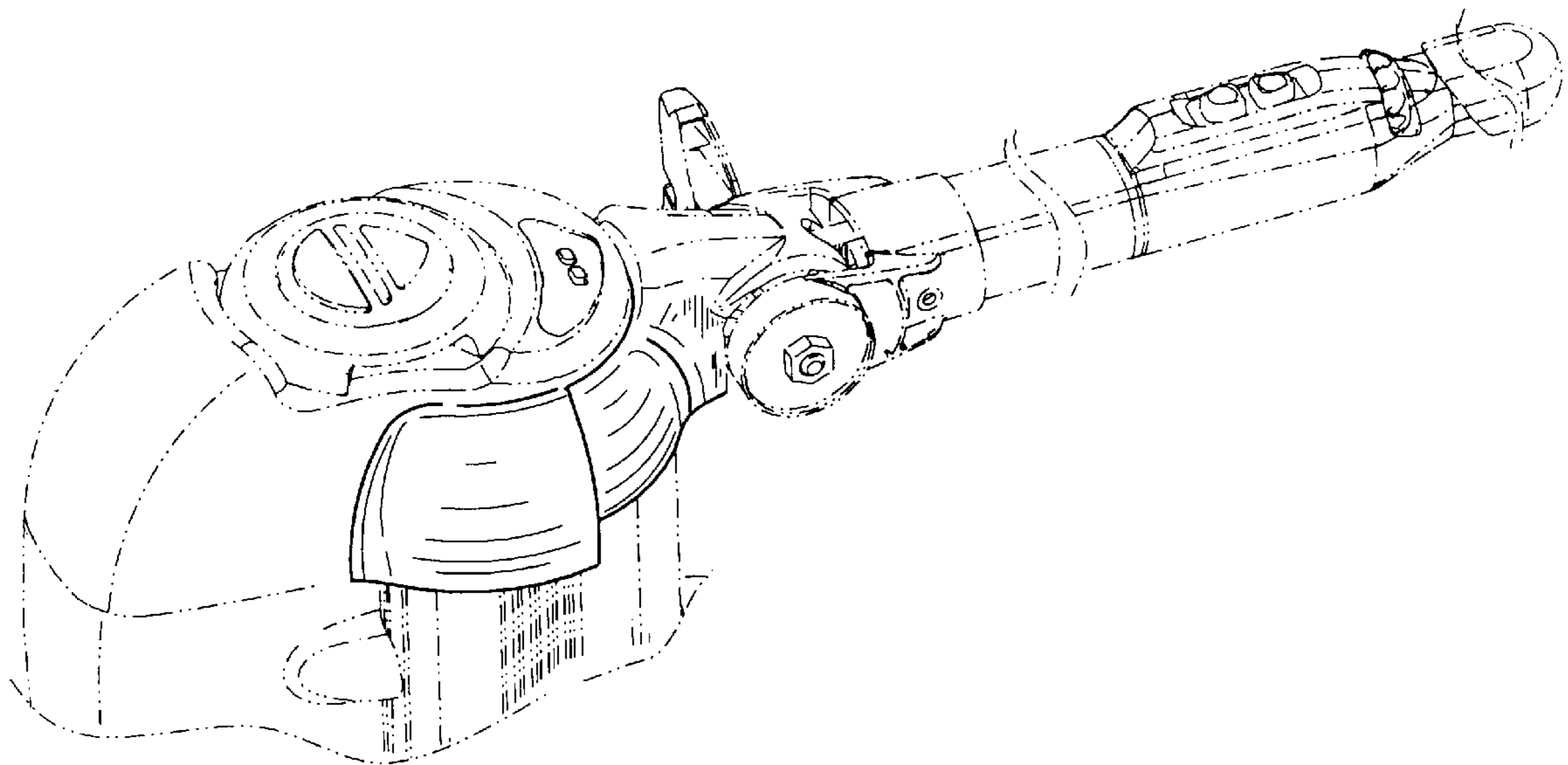


FIG. 1

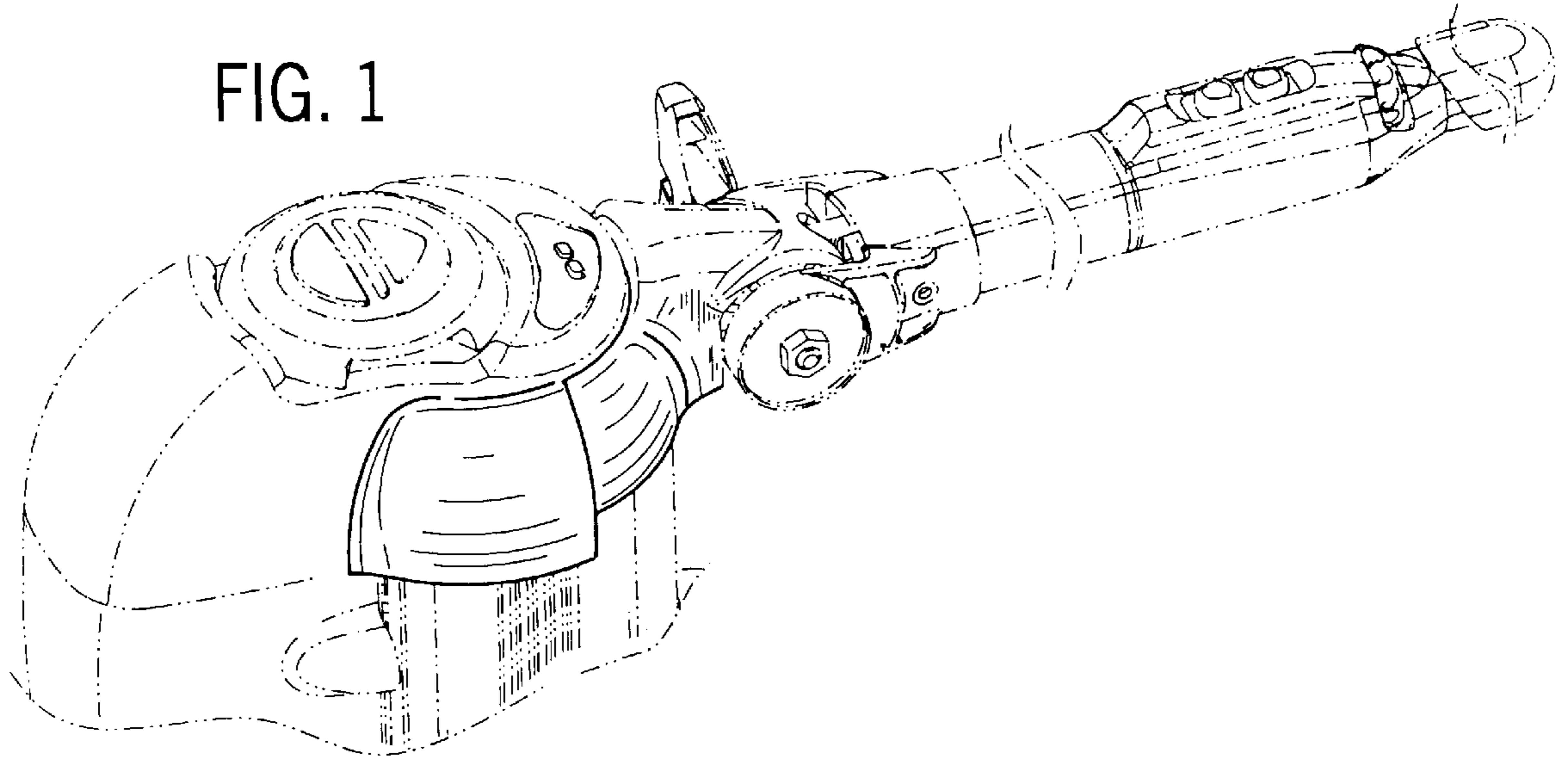


FIG. 2

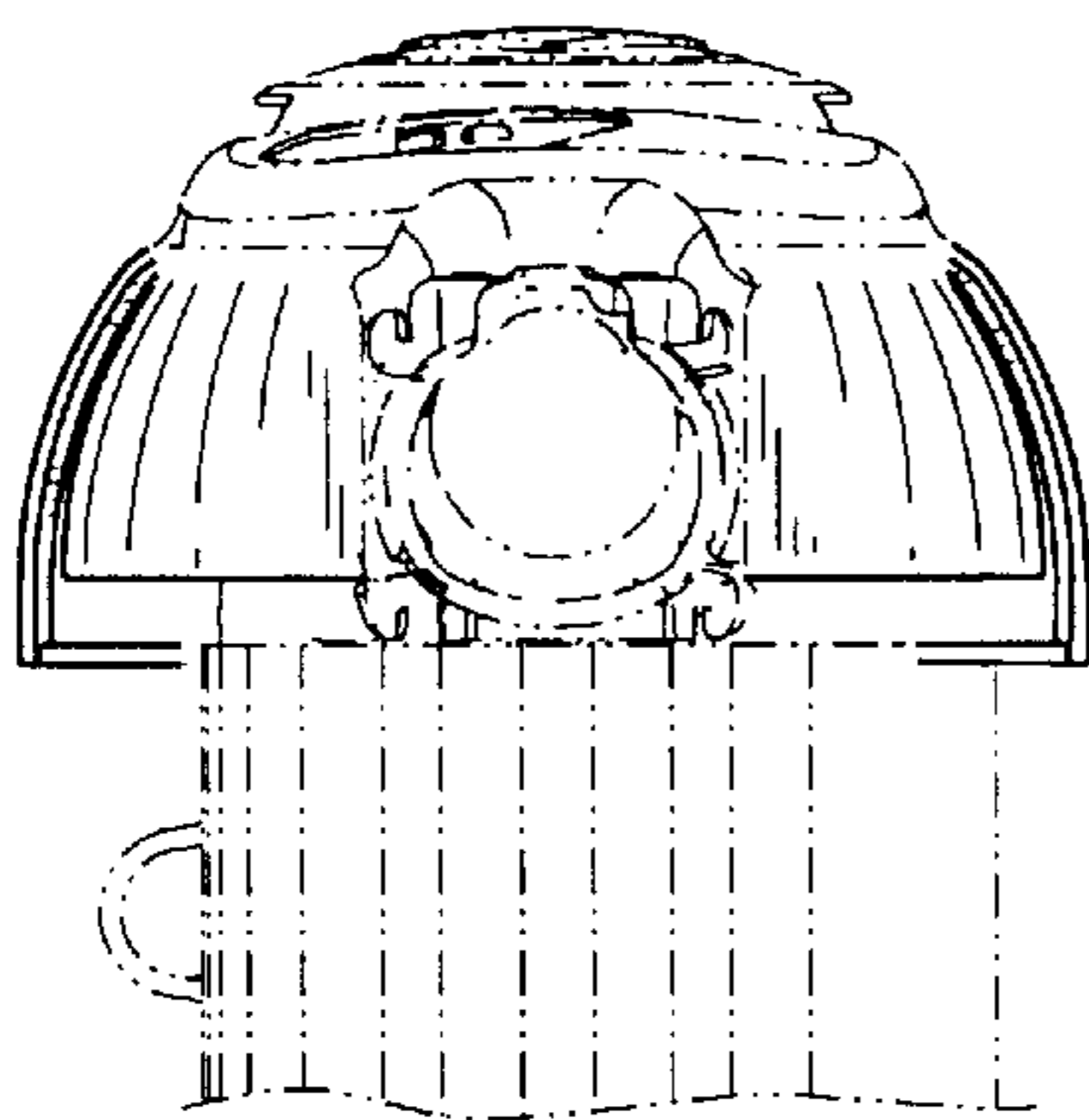
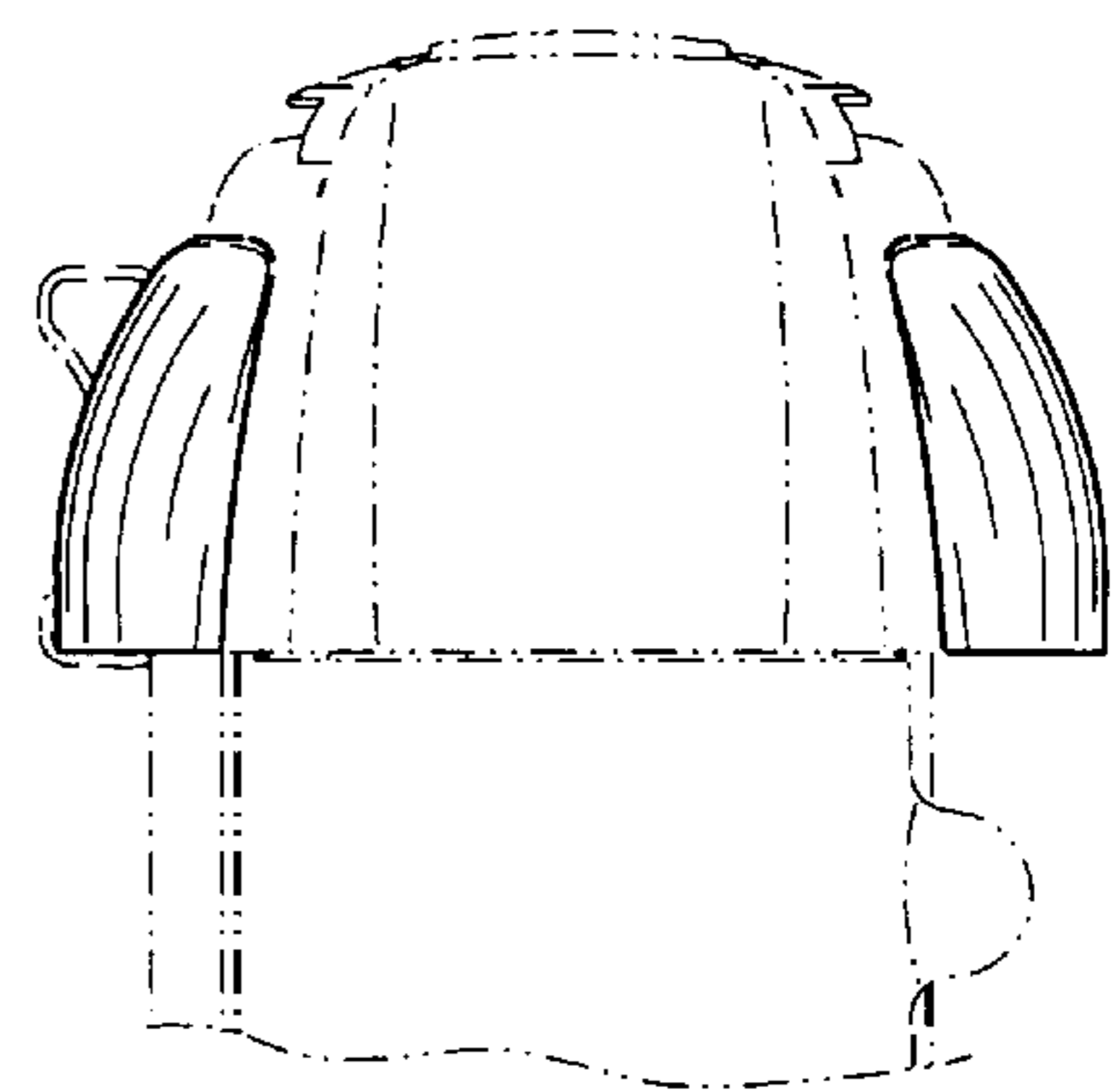


FIG. 3



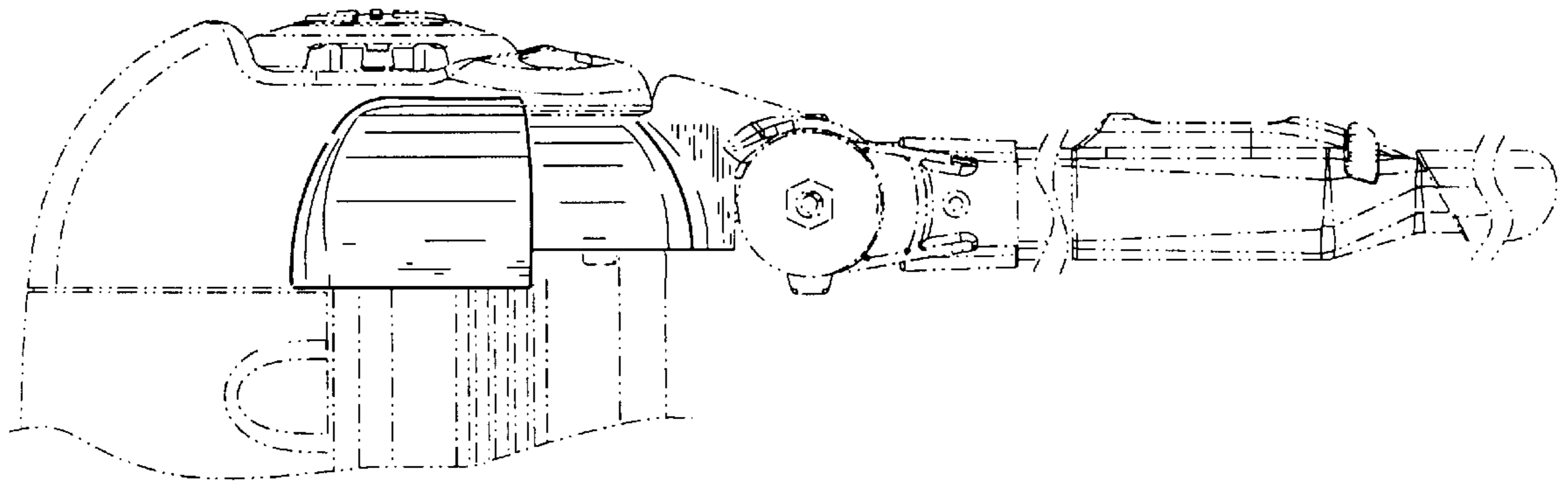


FIG. 4

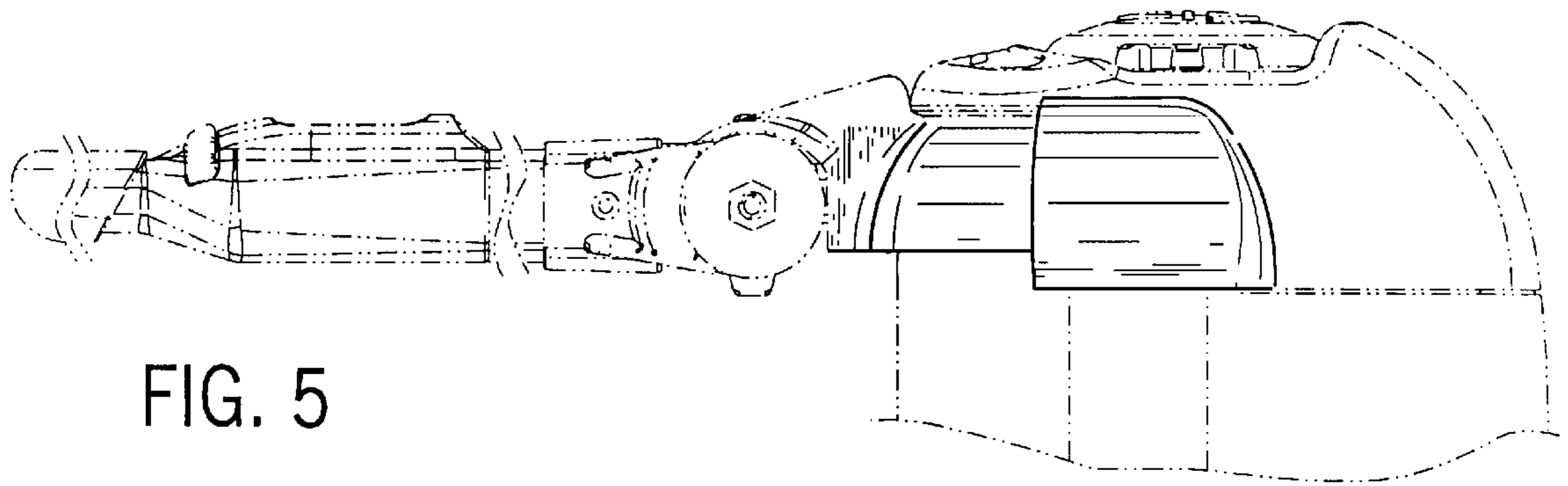


FIG. 5

FIG. 6

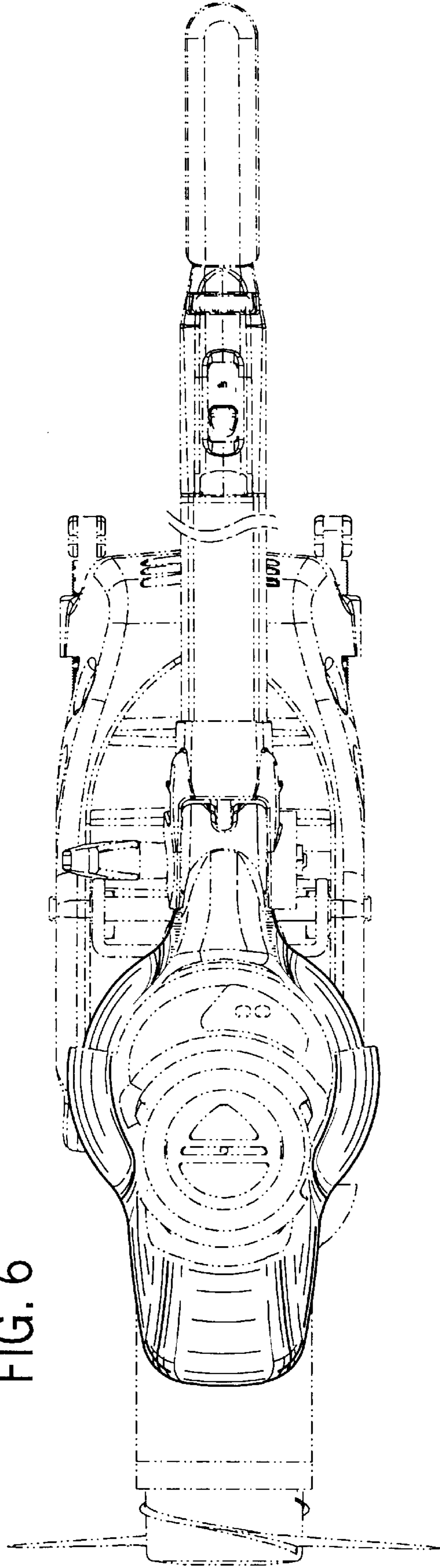


FIG. 7

