



US00D418520S

# United States Patent [19] Hansen

[11] **Patent Number: Des. 418,520**  
[45] **Date of Patent: \*\* Jan. 4, 2000**

## [54] TROLLING MOTOR HOUSING

[75] Inventor: **Ronald P. Hansen**, Mapleton, Minn.

[73] Assignee: **Johnson Worldwide Associates**,  
Sturtevant, Wis.

[\*\*] Term: **14 Years**

[21] Appl. No.: **29/094,375**

[22] Filed: **Sep. 30, 1998**

[51] **LOC (7) Cl.** ..... **15-01**

[52] **U.S. Cl.** ..... **D15/4**

[58] **Field of Search** ..... D15/4; 440/900;  
123/495; 290/43

## [56] **References Cited**

### U.S. PATENT DOCUMENTS

D. 153,704	5/1949	Kiekhaefer	.....	D15/4
D. 155,904	11/1949	Kiekhaefer	.....	D15/4
D. 182,335	5/1958	Kiekhaefer	.....	D15/4
3,989,000	11/1976	Foley, Jr.	.	
4,151,807	5/1979	Black, Jr.	.	
4,386,918	6/1983	Matthews et al.	.	
4,698,032	10/1987	Hill	.	
4,735,166	4/1988	Dimalanta	.	
5,046,974	9/1991	Griffin et al.	.	
5,439,401	8/1995	Clark	.	

## OTHER PUBLICATIONS

JWA Marine Minn Kota—Electric Fishing Motors 1997 pp. 1–52.

*Primary Examiner*—Ralf Seifert  
*Attorney, Agent, or Firm*—Foley & Lardner

## [57] **CLAIM**

The ornamental design of a trolling motor housing, as shown and described.

## DESCRIPTION

FIG. 1 is a top perspective view of a trolling motor housing showing my new design; FIG. 2 is a right side elevational view; FIG. 3 is a left side elevational view; FIG. 4 is a rear elevational view; FIG. 5 is a front elevational view; FIG. 6 is a bottom plan view; and, FIG. 7 is a top plan view.

The broken line showing of a trolling motors associated elements, shown throughout the drawings, and fluting on the side of the housing in FIGS. 1, 2, 4, 5, 6 and 7 are for illustrative purposes only and form no part of the claimed design. Additionally, the broken lines that run the vertical length of the housing in FIGS. 1, 2, 3 and 5 and which define the bounds of the claimed design form no part thereof.

**1 Claim, 6 Drawing Sheets**

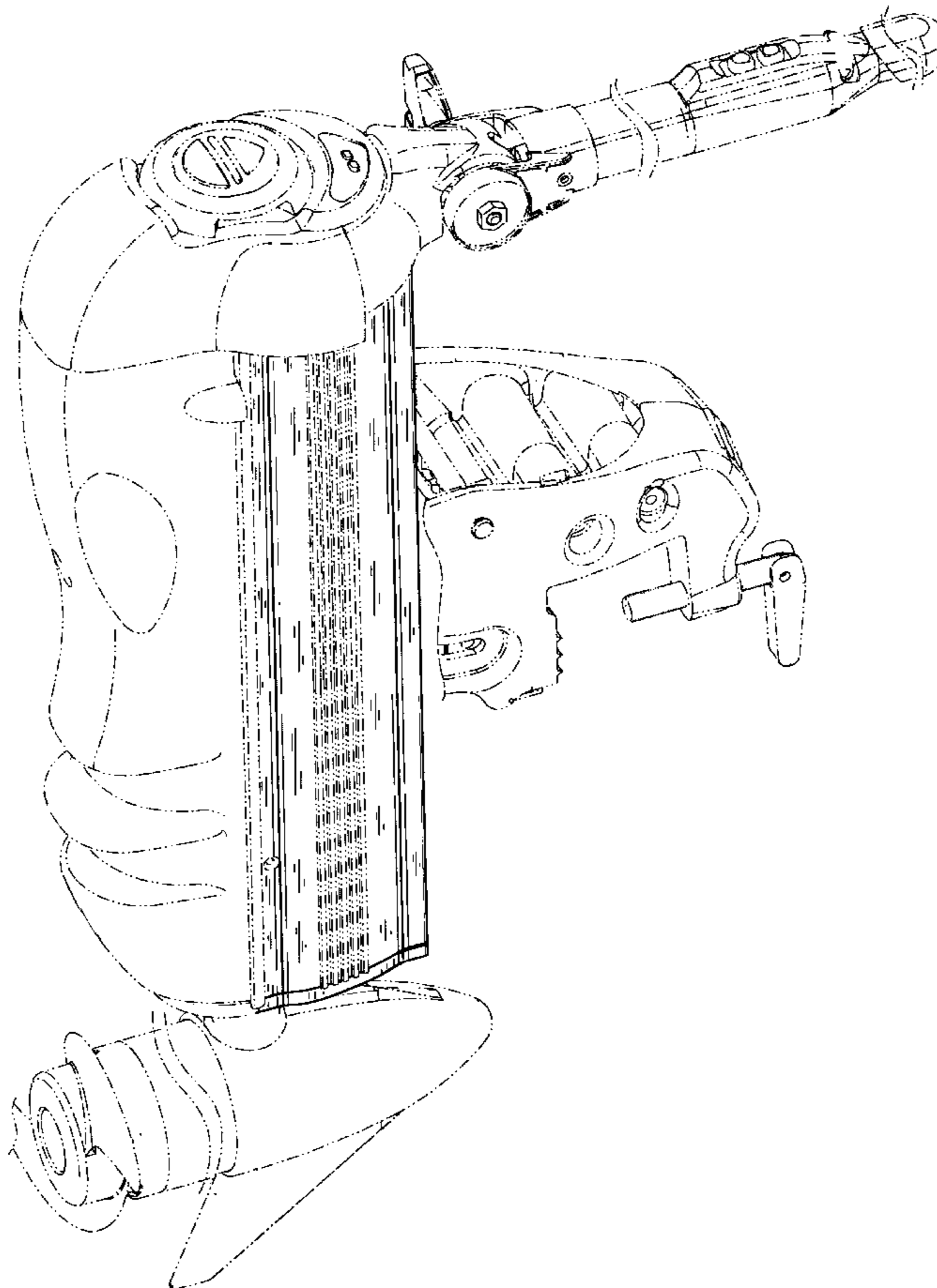
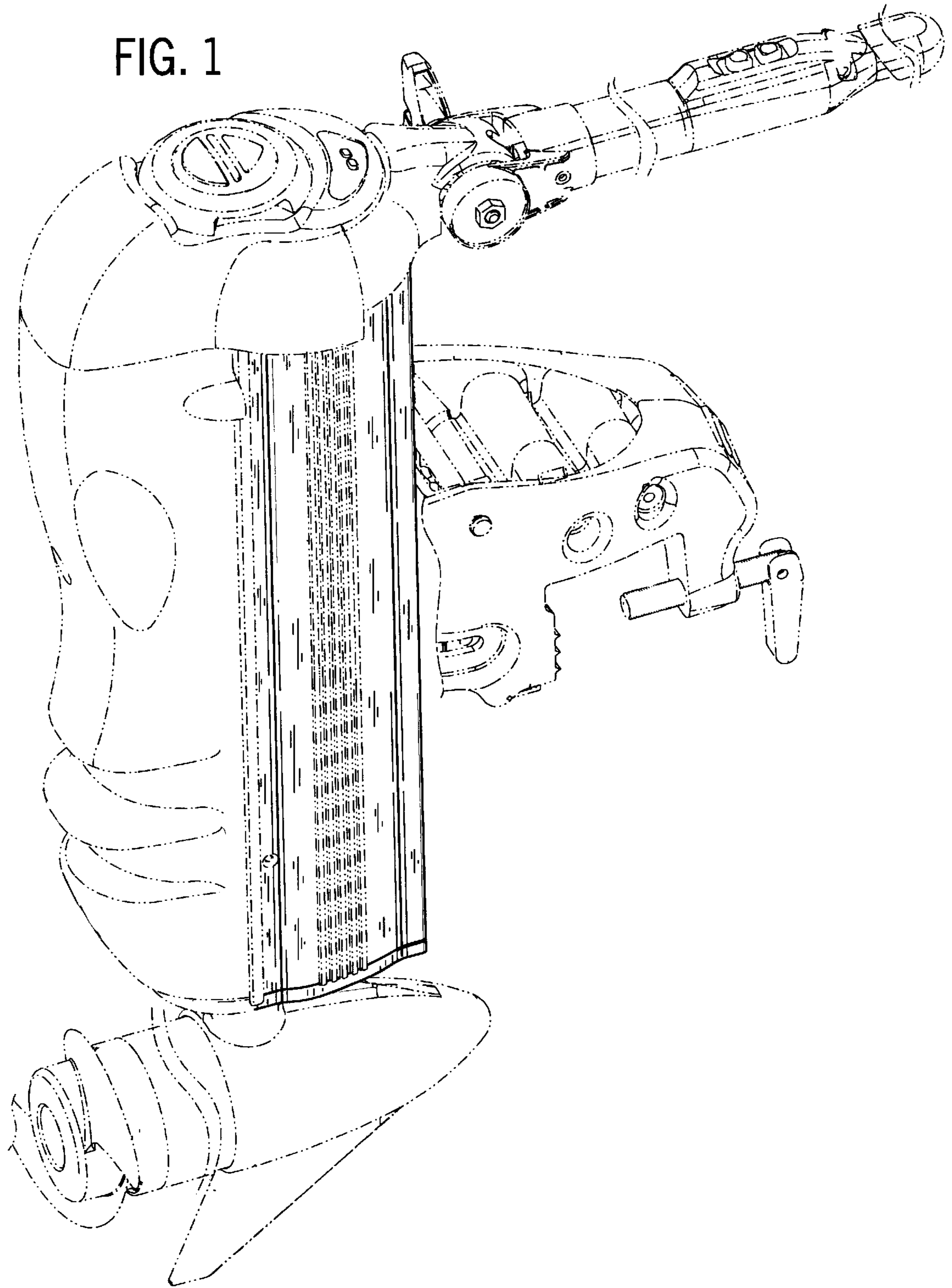
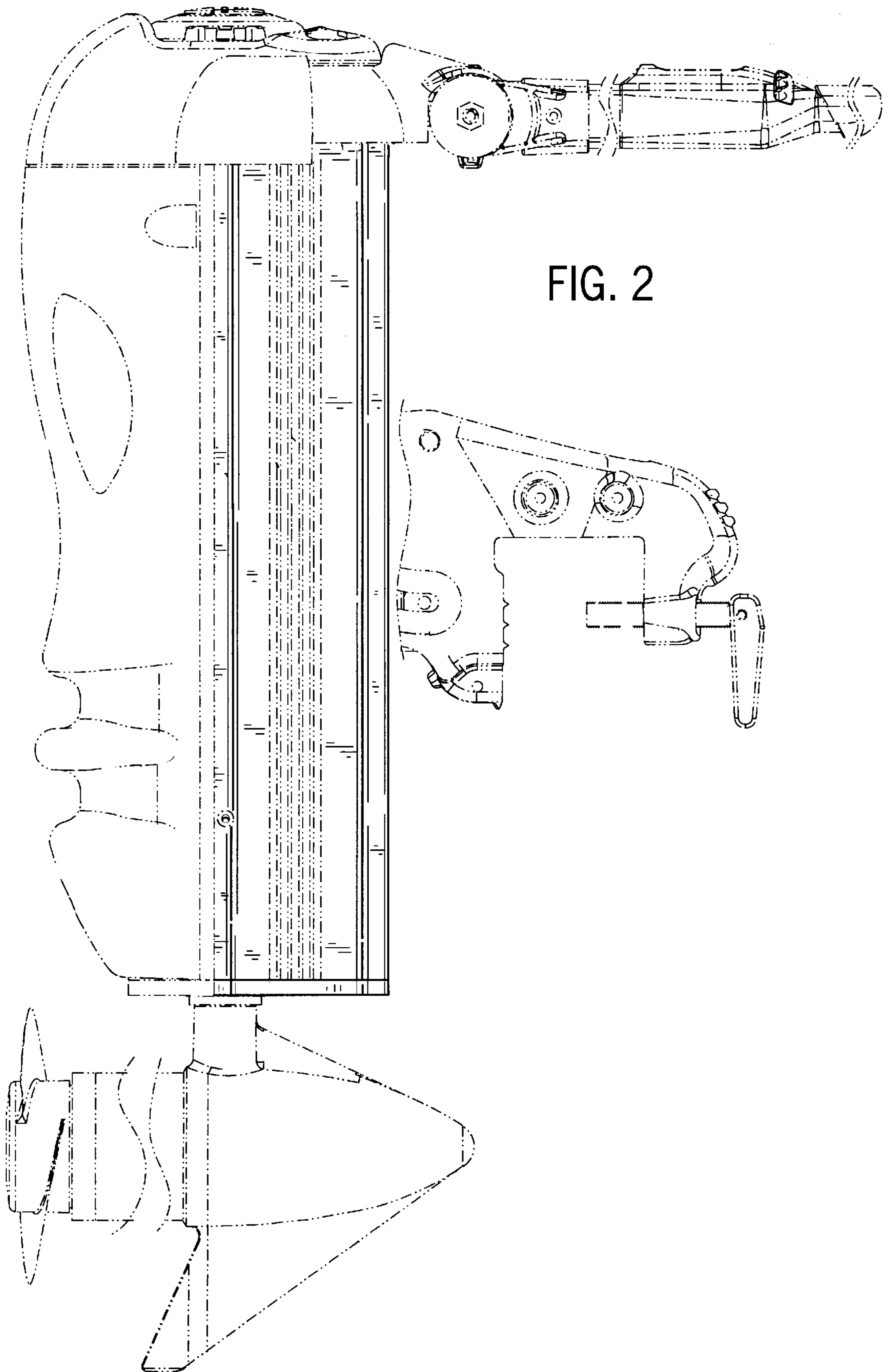


FIG. 1





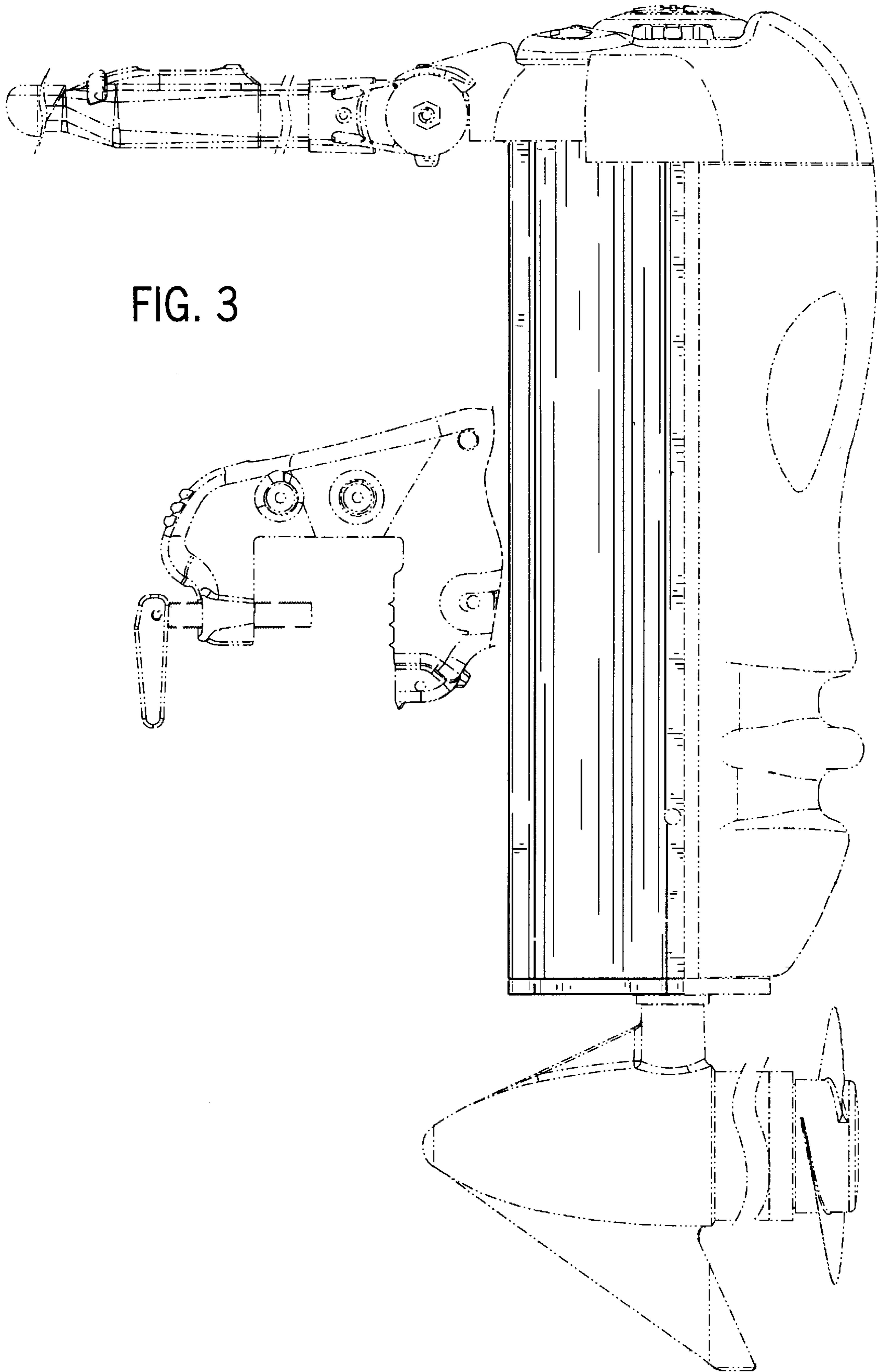




FIG. 4

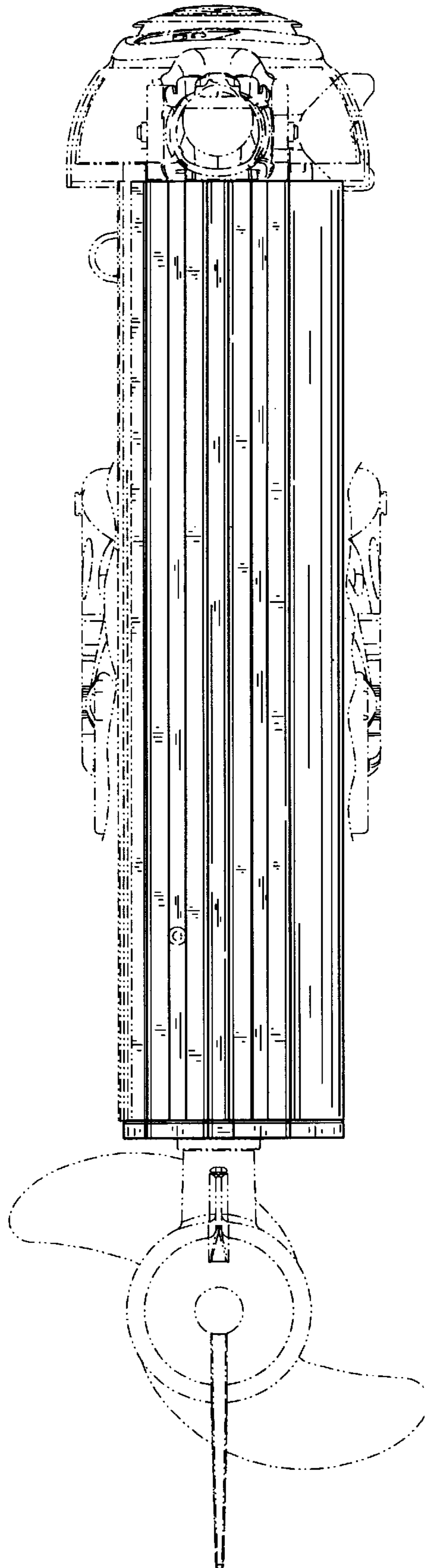


FIG. 5

