



US00D418517S

United States Patent [19] IP

[11] **Patent Number: Des. 418,517**

[45] **Date of Patent: ** Jan. 4, 2000**

[54] **HANDSET**

[75] Inventor: **Chung Keung IP**, Kwai Chung, China

[73] Assignee: **Nasaco Electronics Pte. Ltd.**,
Singapore, Singapore

[**] Term: **14 Years**

[21] Appl. No.: **29/096,383**

[22] Filed: **Nov. 12, 1998**

[30] Foreign Application Priority Data

May 18, 1998 [GB] United Kingdom 2074745

[51] **LOC (7) Cl.** **14-03**

[52] **U.S. Cl.** **D14/248**

[58] **Field of Search** D14/137, 138,
D14/140, 142, 240, 248, 147, 148; 379/419,
420, 428, 440, 433, 434, 441, 442

[56] References Cited

U.S. PATENT DOCUMENTS

- D. 258,656 3/1981 Vaughan et al. D14/147
- D. 284,761 7/1986 Ryan D14/147
- D. 286,877 11/1986 Powell D14/148 X
- D. 290,255 6/1987 Taveau D14/248
- D. 300,743 4/1989 Zaugg et al. D14/147
- D. 356,315 3/1995 Grande D14/248

- D. 368,473 4/1996 Nijima et al. D14/138
- 2,039,625 5/1936 Blount 379/433 X
- 3,632,878 1/1972 Strotman 379/433
- 3,792,205 2/1974 O'Dea 379/433

Primary Examiner—Jeffrey Asch
Attorney, Agent, or Firm—Reese Taylor

[57] CLAIM

The ornamental design for a handset, as shown and described.

DESCRIPTION

FIG. 1 is a perspective view showing the front and left side of my design for a handset;

FIG. 2 is a perspective view, similar to FIG. 1, showing the rear and left side thereof;

FIG. 3 is a front elevational view thereof;

FIG. 4 is a rear elevational view thereof;

FIG. 5 is a view taken from the left of FIG. 3;

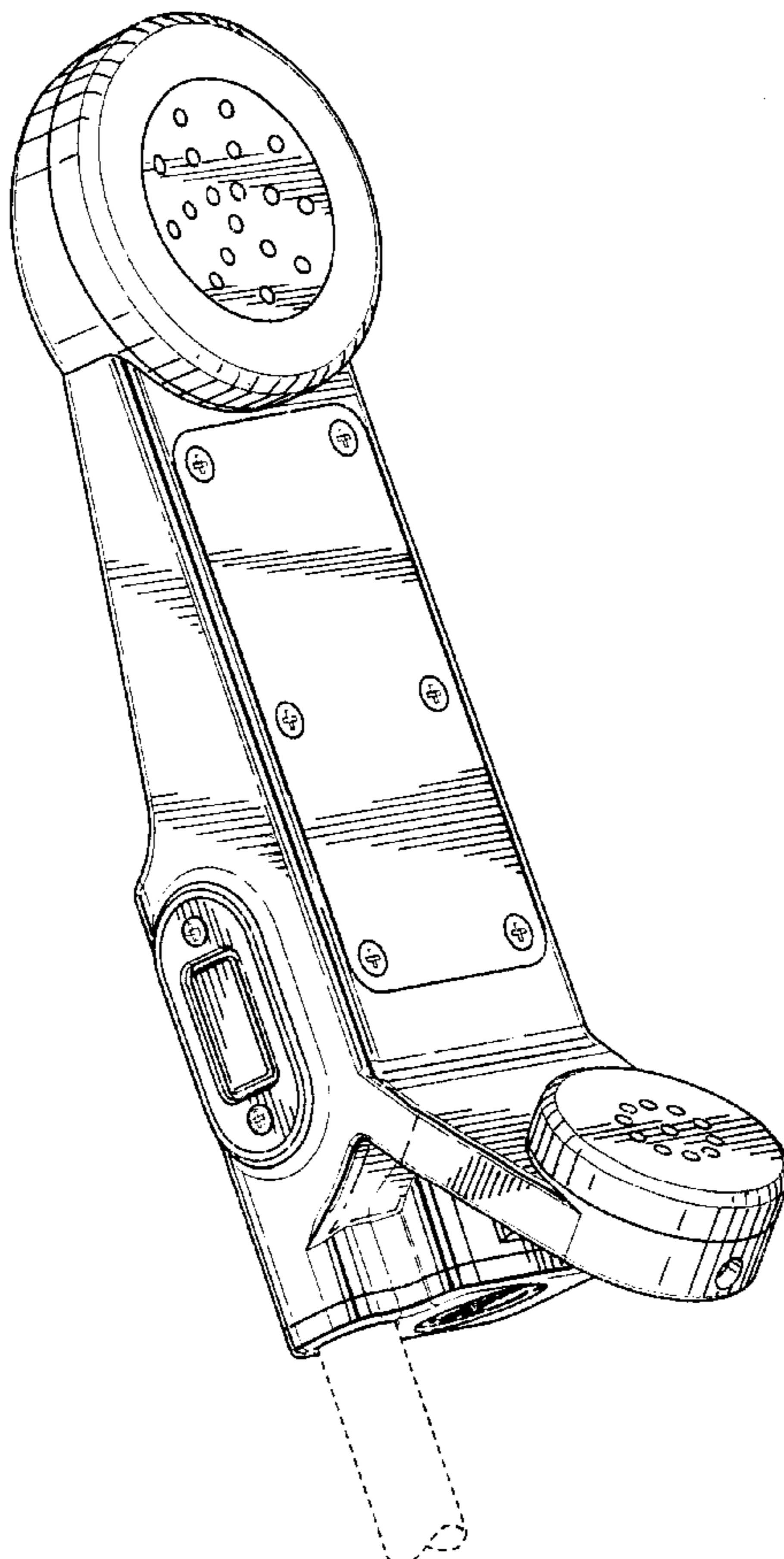
FIG. 6 is a side elevational view taken from the right of FIG. 3;

FIG. 7 is a top plan view; and,

FIG. 8 is a bottom plan view.

The broken line showings of FIGS. 1–6 and 8 are for illustrative purposes only and form no part of the claimed design.

1 Claim, 8 Drawing Sheets



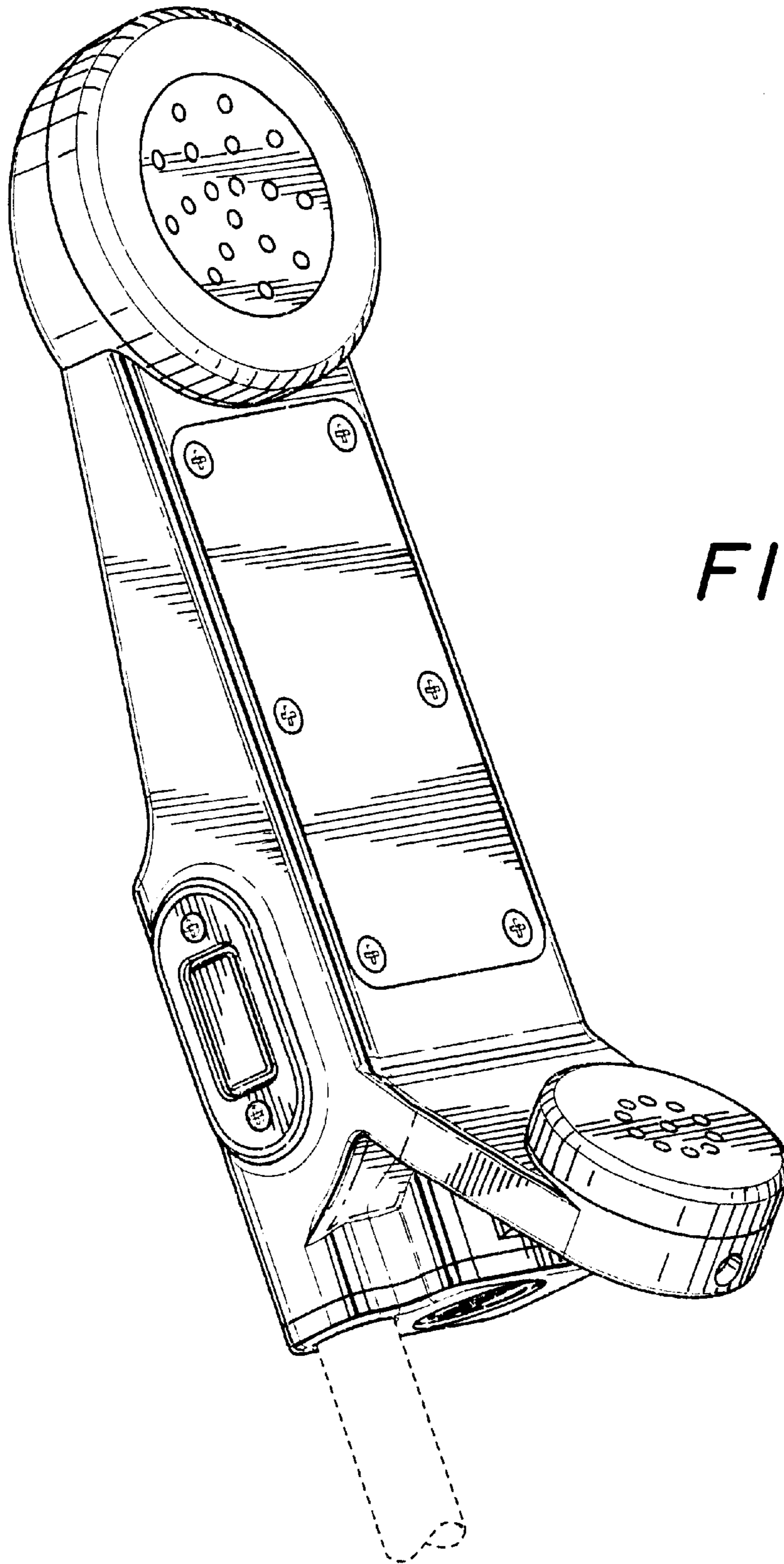


FIG. 1

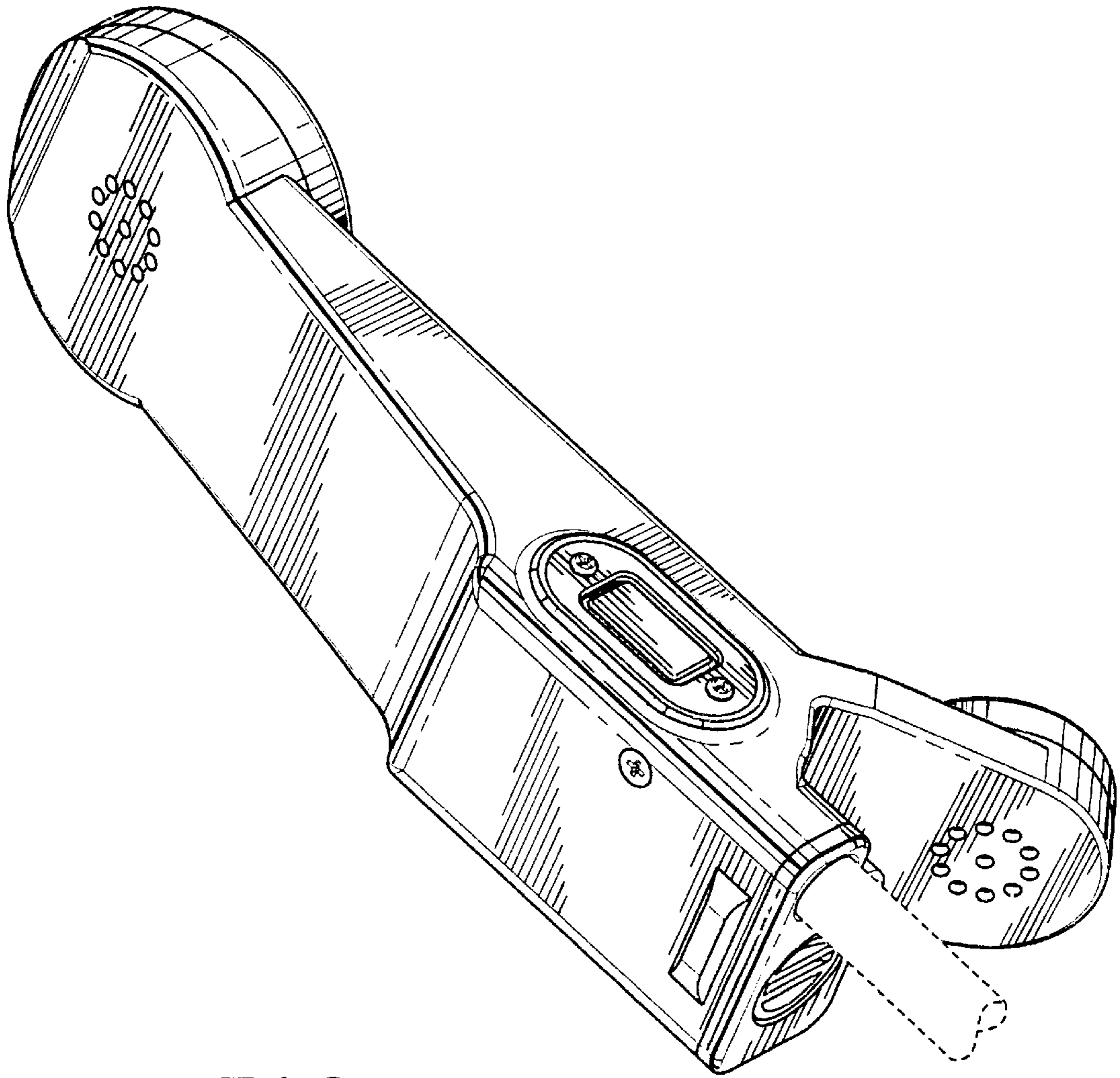


FIG. 2

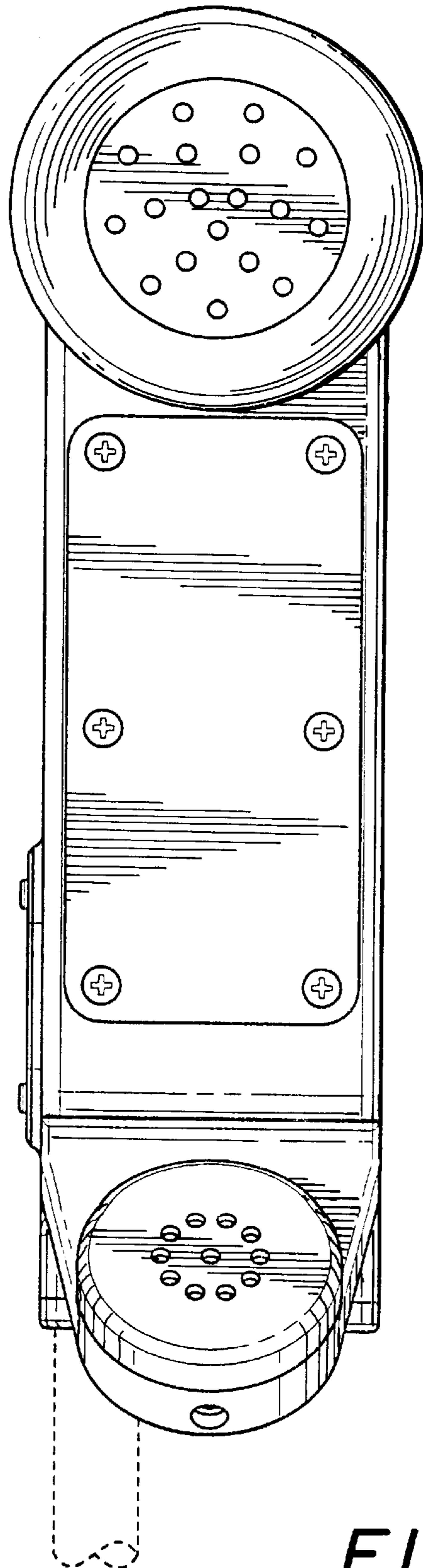


FIG. 3

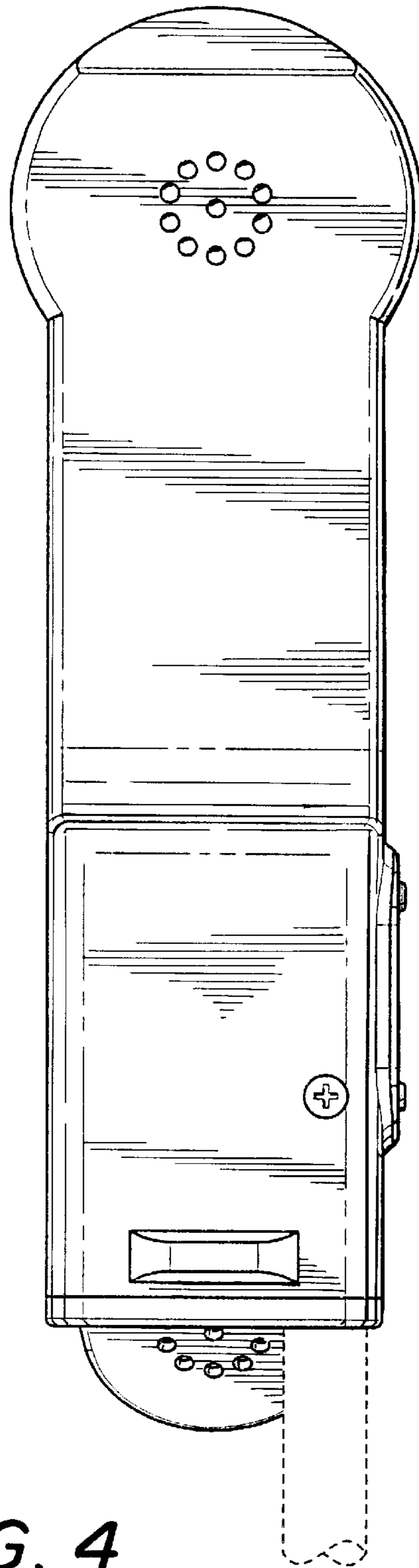


FIG. 4

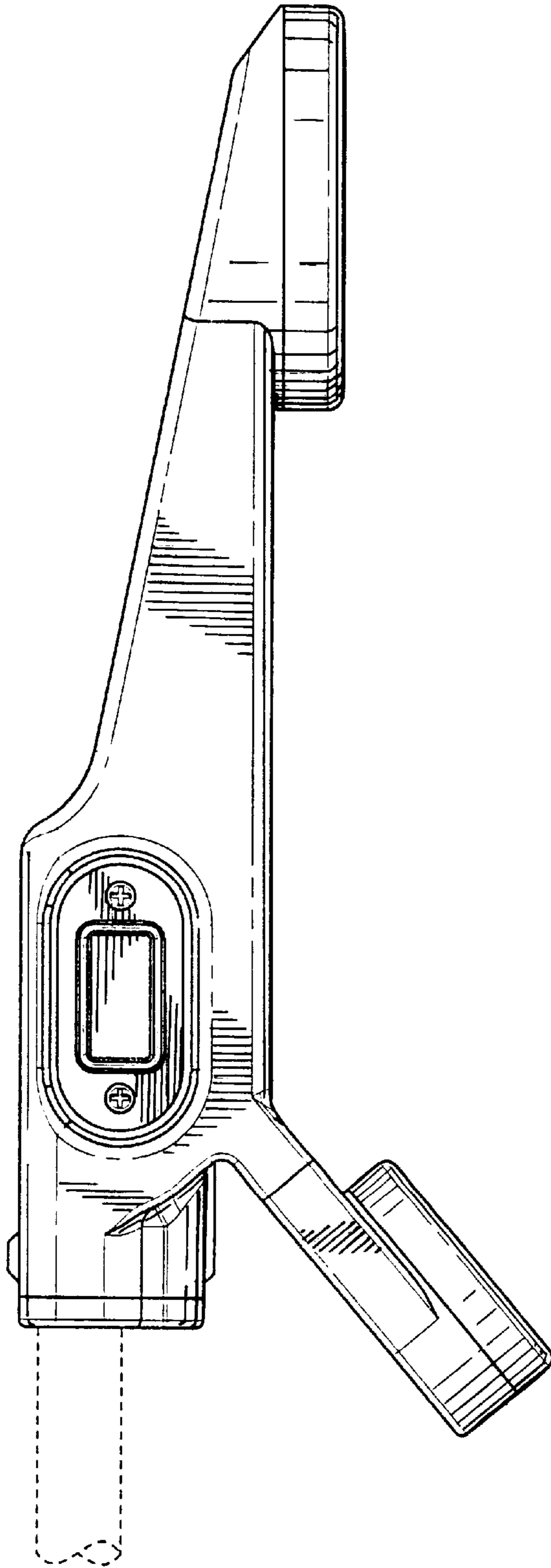


FIG. 5

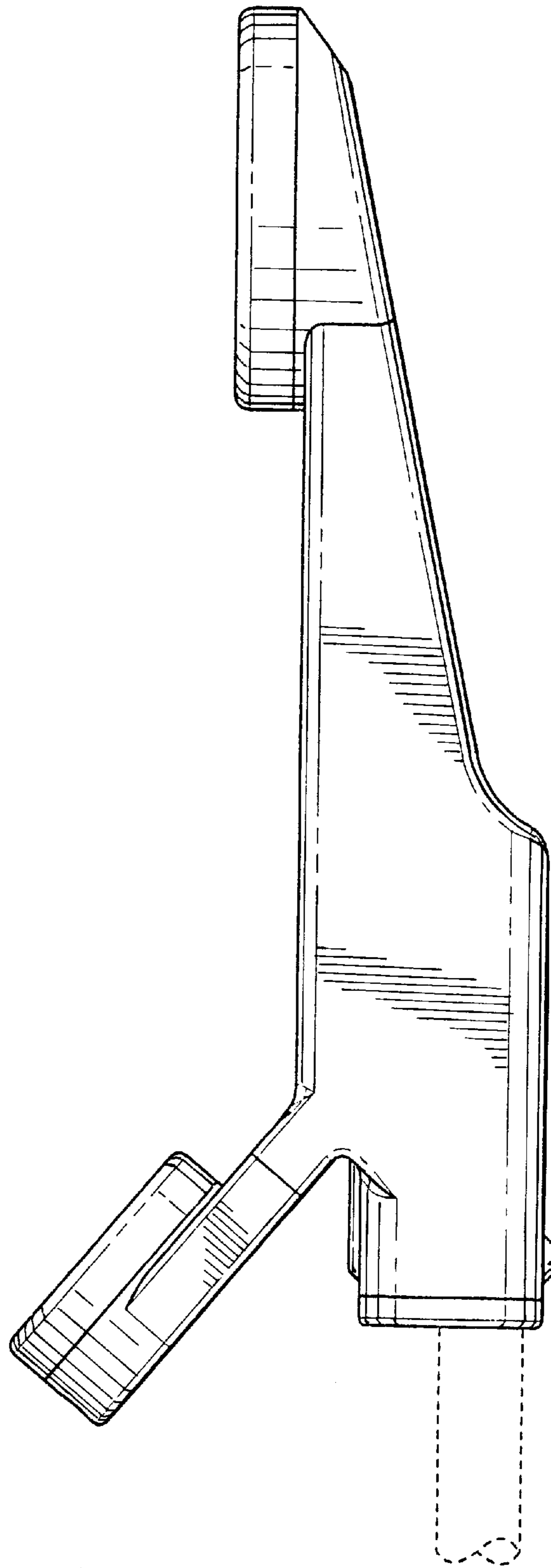


FIG. 6

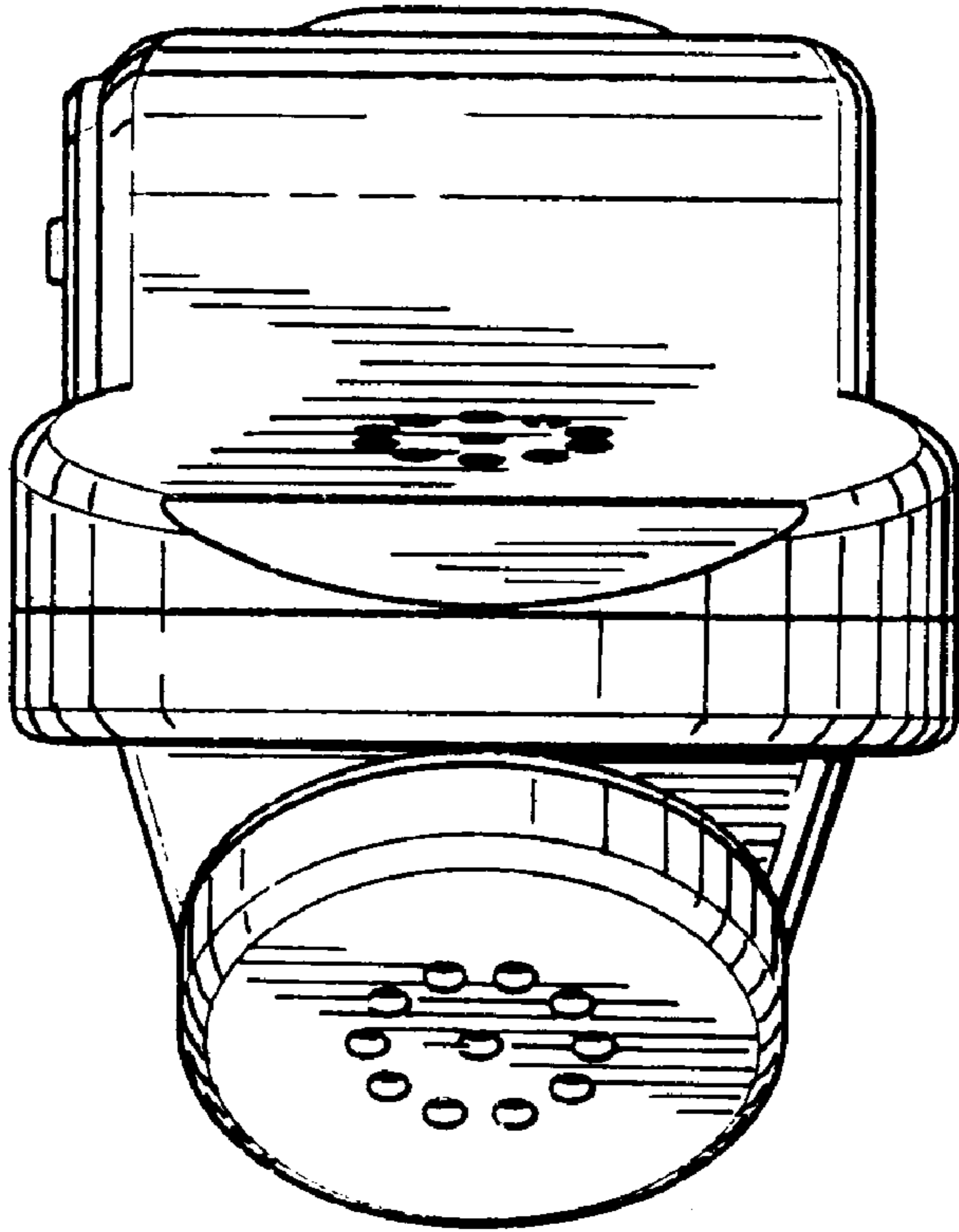


FIG. 7

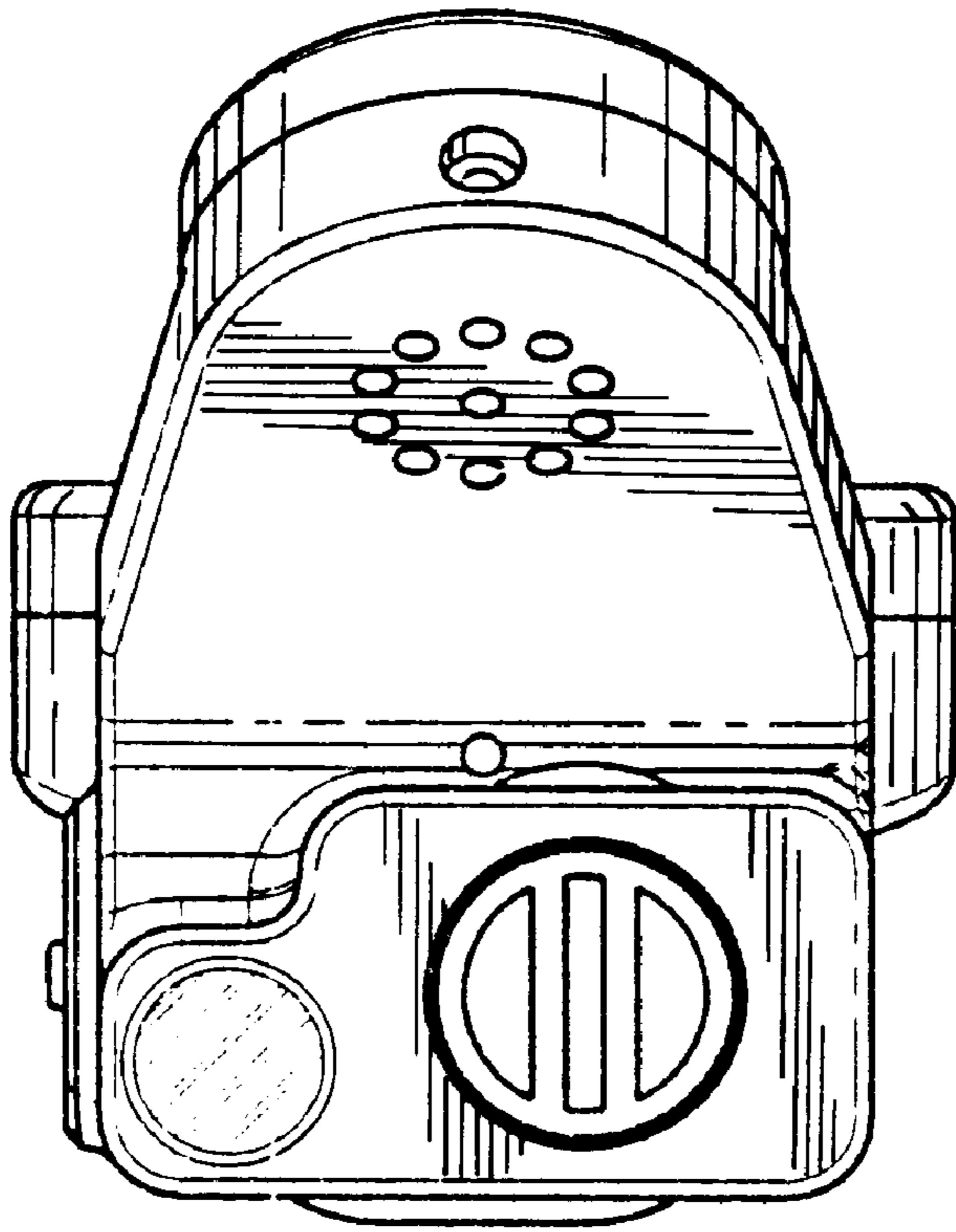


FIG. 8