



US00D418515S

# United States Patent [19]

[11] Patent Number: **Des. 418,515**

Tucker et al.

[45] Date of Patent: **\*\* Jan. 4, 2000**

[54] **COMMUNICATION EQUIPMENT ENCLOSURE**

[75] Inventors: **Russell L. Tucker**, Sebastopol; **Mark S. McCall**, Santa Rosa; **Bernabe R. Lovina**, Benecia, all of Calif.

[73] Assignee: **Next Level Communications**, Rohnert Park, Calif.

[\*\*] Term: **14 Years**

[21] Appl. No.: **29/079,334**

[22] Filed: **May 30, 1997**

[51] **LOC (7) Cl.** ..... **14-03**

[52] **U.S. Cl.** ..... **D14/240; D13/184**

[58] **Field of Search** ..... D14/140, 142, D14/149, 240, 256; D13/184; 379/412, 418, 399, 419, 420, 428, 440; 385/134, 135; 381/724, 736, 801

[56] **References Cited**

**U.S. PATENT DOCUMENTS**

- D. 317,908 7/1991 Channell ..... D13/184
- D. 349,687 8/1994 Khoo et al. .... D13/184 X
- D. 369,170 4/1996 Beaumont et al. .... D14/240
- D. 373,771 9/1996 Messelhi ..... D13/184 X

- D. 375,942 11/1996 Fursier et al. .... D13/184
- D. 376,350 12/1996 Worley et al. .... D13/184
- 4,850,014 7/1989 Gillis et al. .... 379/399
- 5,029,958 7/1991 Hodge et al. .... 379/399 X
- 5,479,505 12/1995 Butler et al. .... 379/412
- 5,495,549 2/1996 Schneider et al. .... 385/135
- 5,745,633 4/1998 Giebel et al. .... 385/135 X
- 5,787,219 7/1998 Mueller et al. .... 385/134
- 5,828,807 10/1998 Tucker et al. .... 385/135

*Primary Examiner*—Jeffrey Asch  
*Attorney, Agent, or Firm*—Skjerven, Morrill, MacPherson, Franklin & Friel LLP; David W. Heid

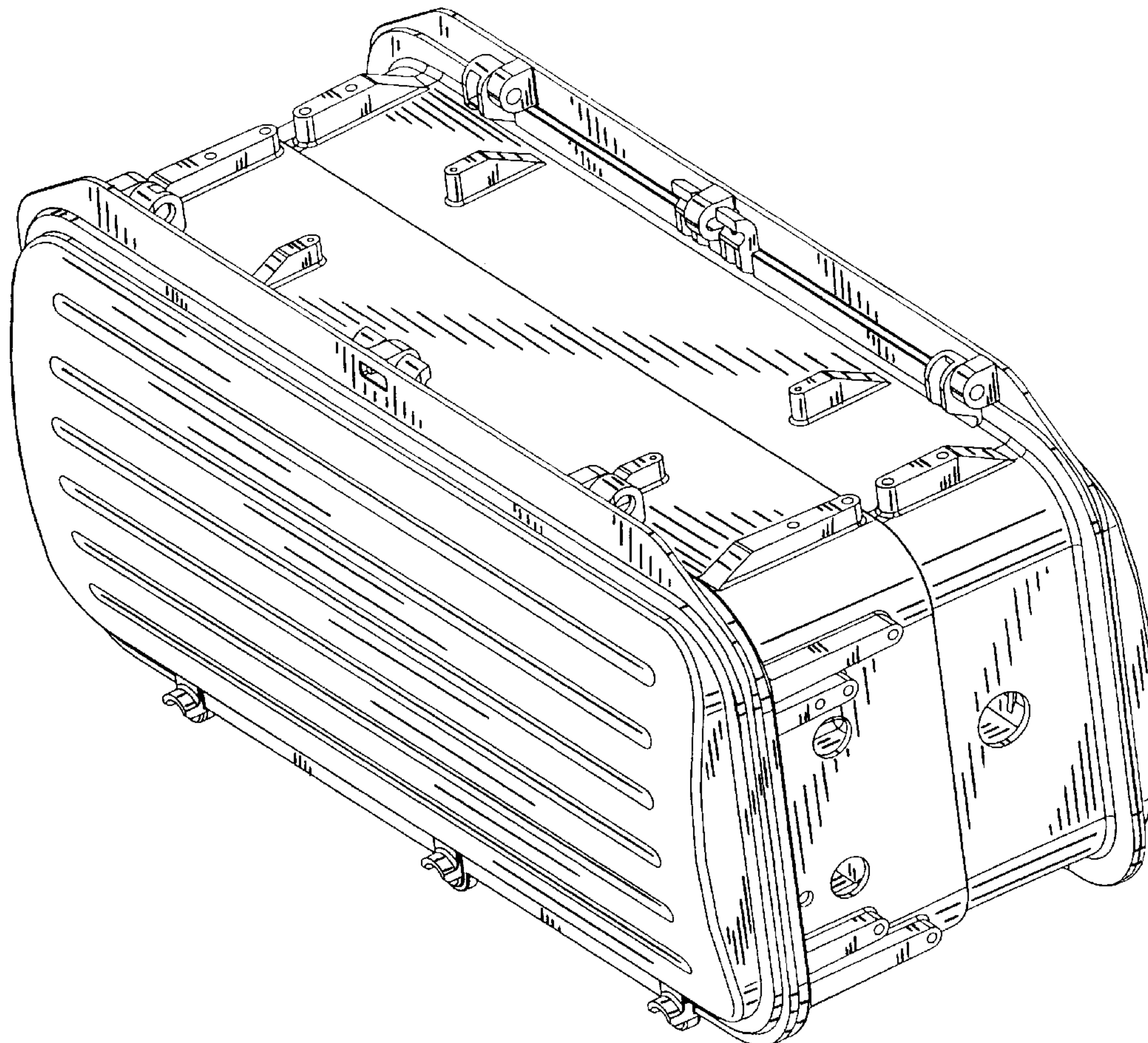
[57] **CLAIM**

The ornamental design for a communication equipment enclosure, as shown and described.

**DESCRIPTION**

FIG. 1 is a perspective front elevation view of a communication equipment enclosure showing our new design; FIG. 2 is a top view thereof; FIG. 3 is a bottom view thereof; FIG. 4 is a front elevational view thereof, which is identical to the rear elevational view except for the placement of the features along the bottom edge; FIG. 5 is a right side view thereof; and, FIG. 6 is a left side view thereof.

**1 Claim, 6 Drawing Sheets**



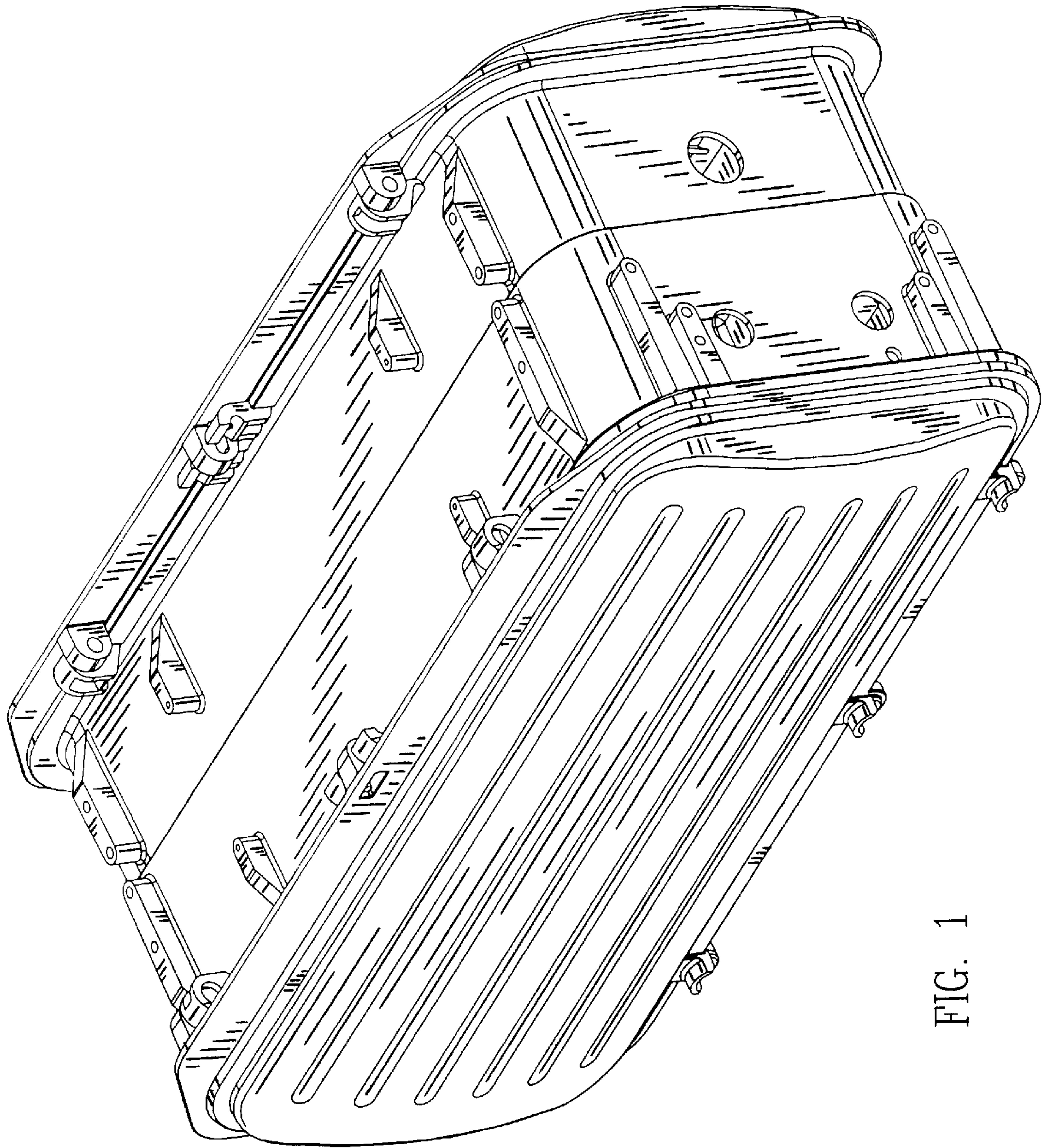


FIG. 1



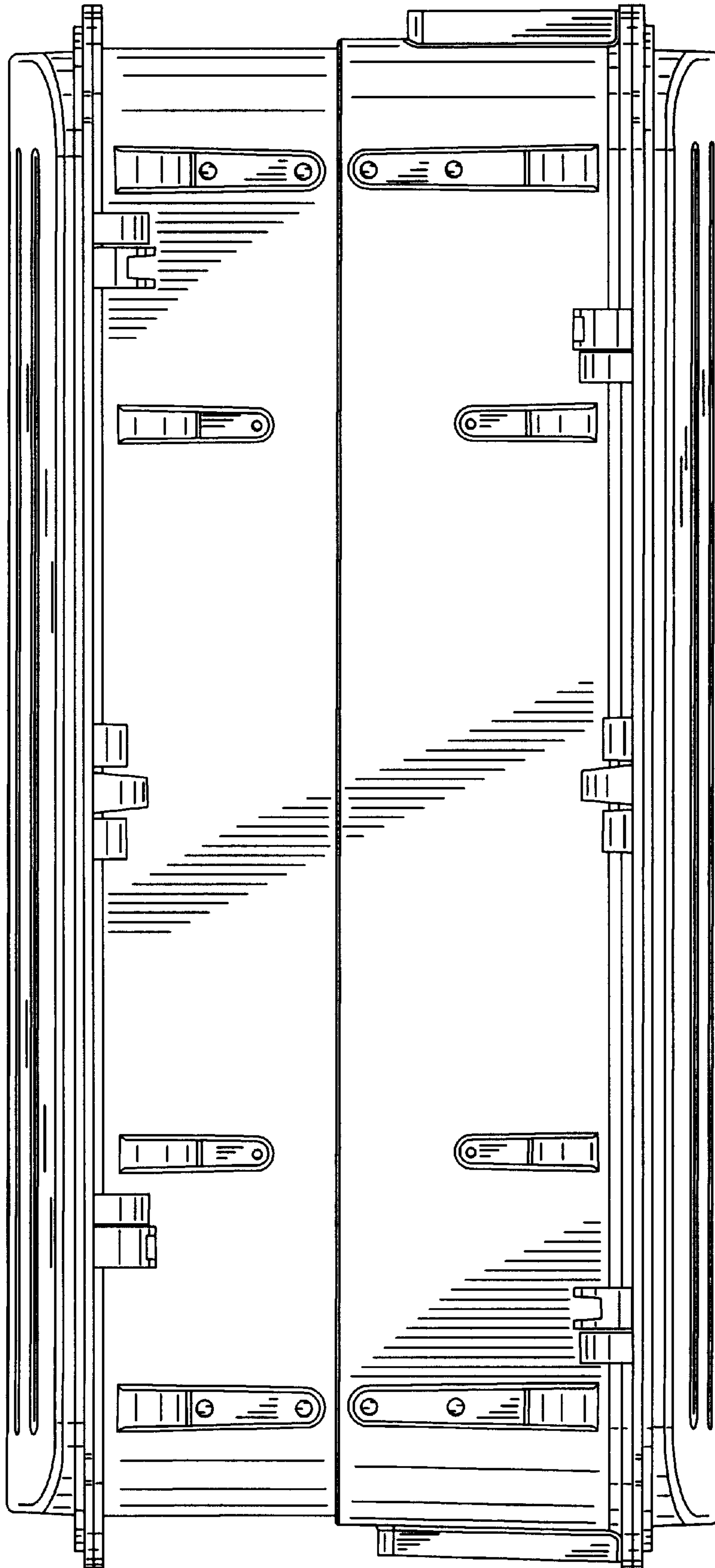


FIG. 2

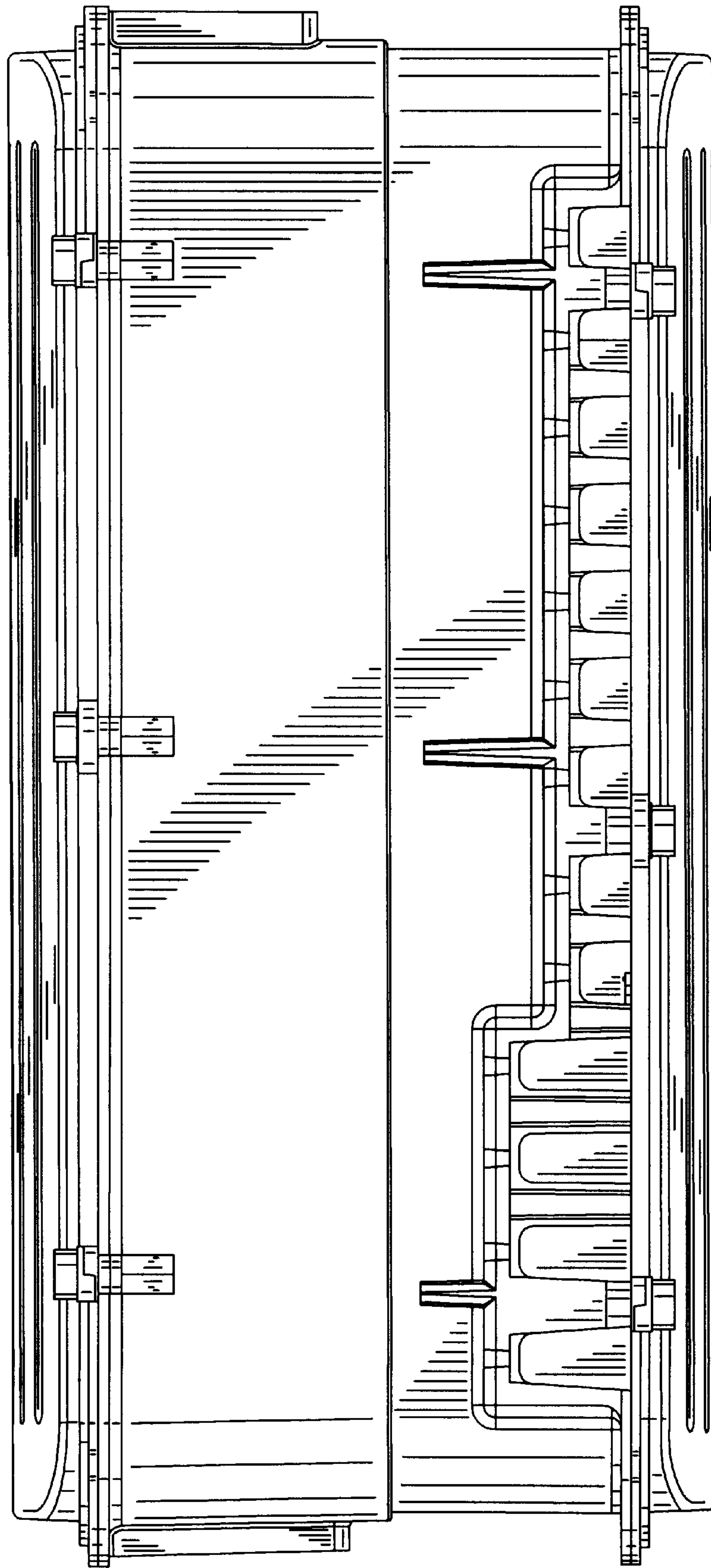


FIG. 3

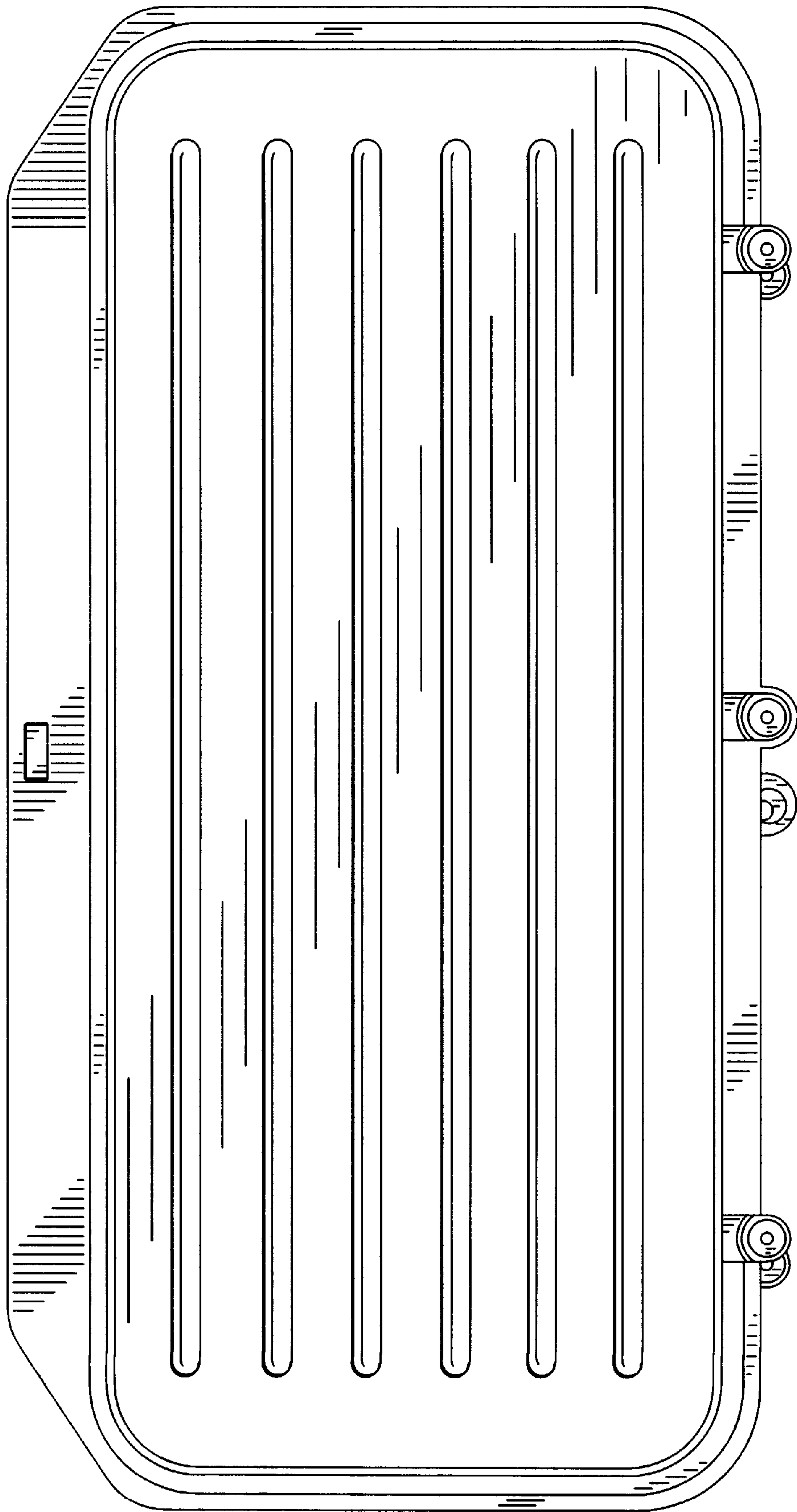


FIG. 4

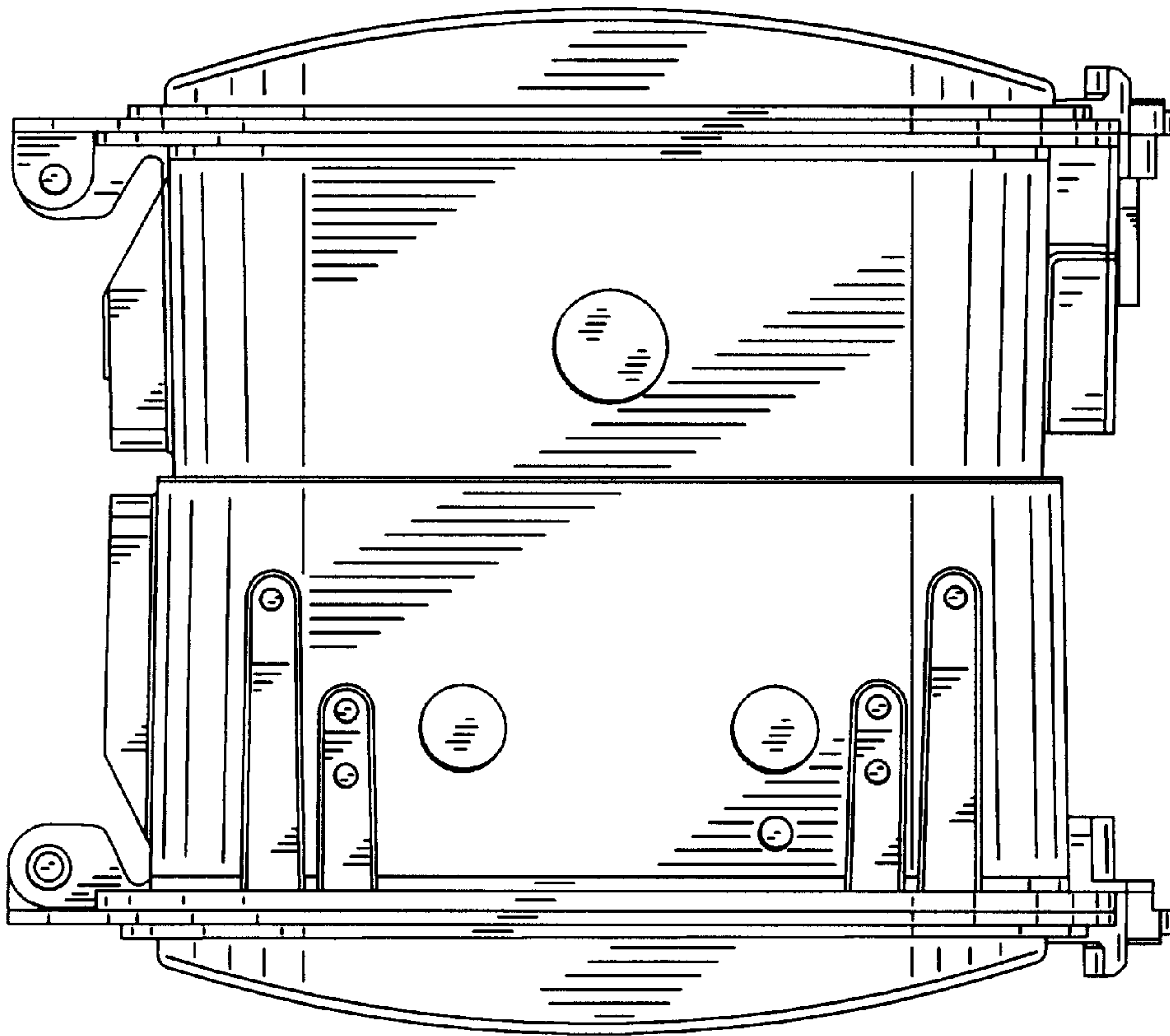


FIG. 5

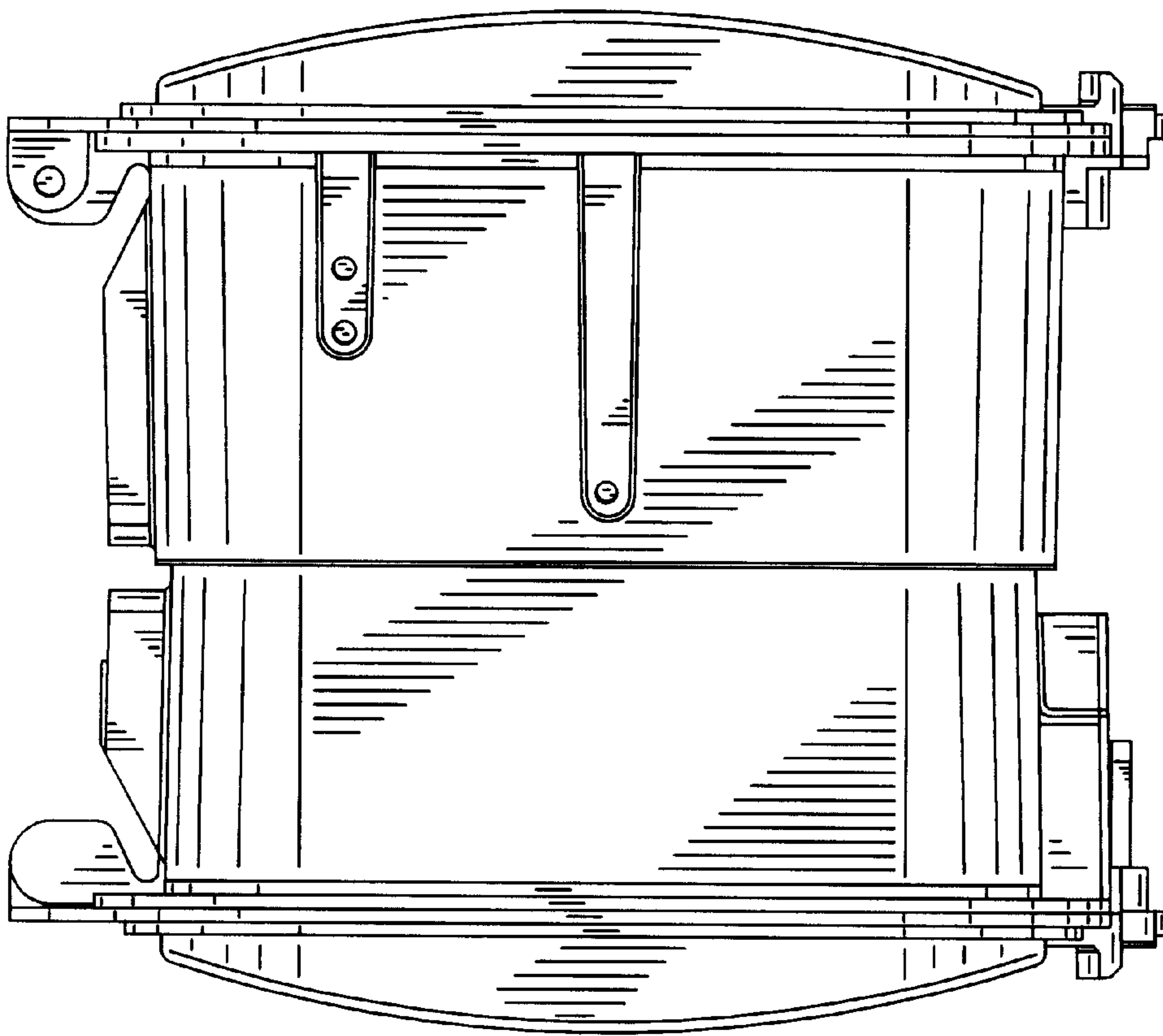


FIG. 6