



US00D418509S

United States Patent [19]
Zeitman

[11] **Patent Number: Des. 418,509**
[45] **Date of Patent: ** Jan. 4, 2000**

[54] **HEADPHONE RADIO**

OTHER PUBLICATIONS

[75] Inventor: **Josh Zeitman**, Brooklyn, N.Y.

Audio—The Equipment Authority, p. 69, Headphone model No. HD 520 II, Sep. 1994.

[73] Assignee: **Lenox Electronics Corp.**, Brooklyn, N.Y.

Primary Examiner—Nanda Bondade
Attorney, Agent, or Firm—Burns, Doane, Swecker & Mathis, L.L.P.

[**] Term: **14 Years**

[21] Appl. No.: **29/094,038**

[57] **CLAIM**

[22] Filed: **Sep. 23, 1998**

The ornamental design for a headphone radio, as shown and described.

[51] **LOC (7) Cl.** **14-03**

DESCRIPTION

[52] **U.S. Cl.** **D14/192; D14/205**

[58] **Field of Search** D14/188, 192–198, D14/205–206, 223; 181/129, 130; 379/430, 431, 444; 381/309, 370, 376, 377

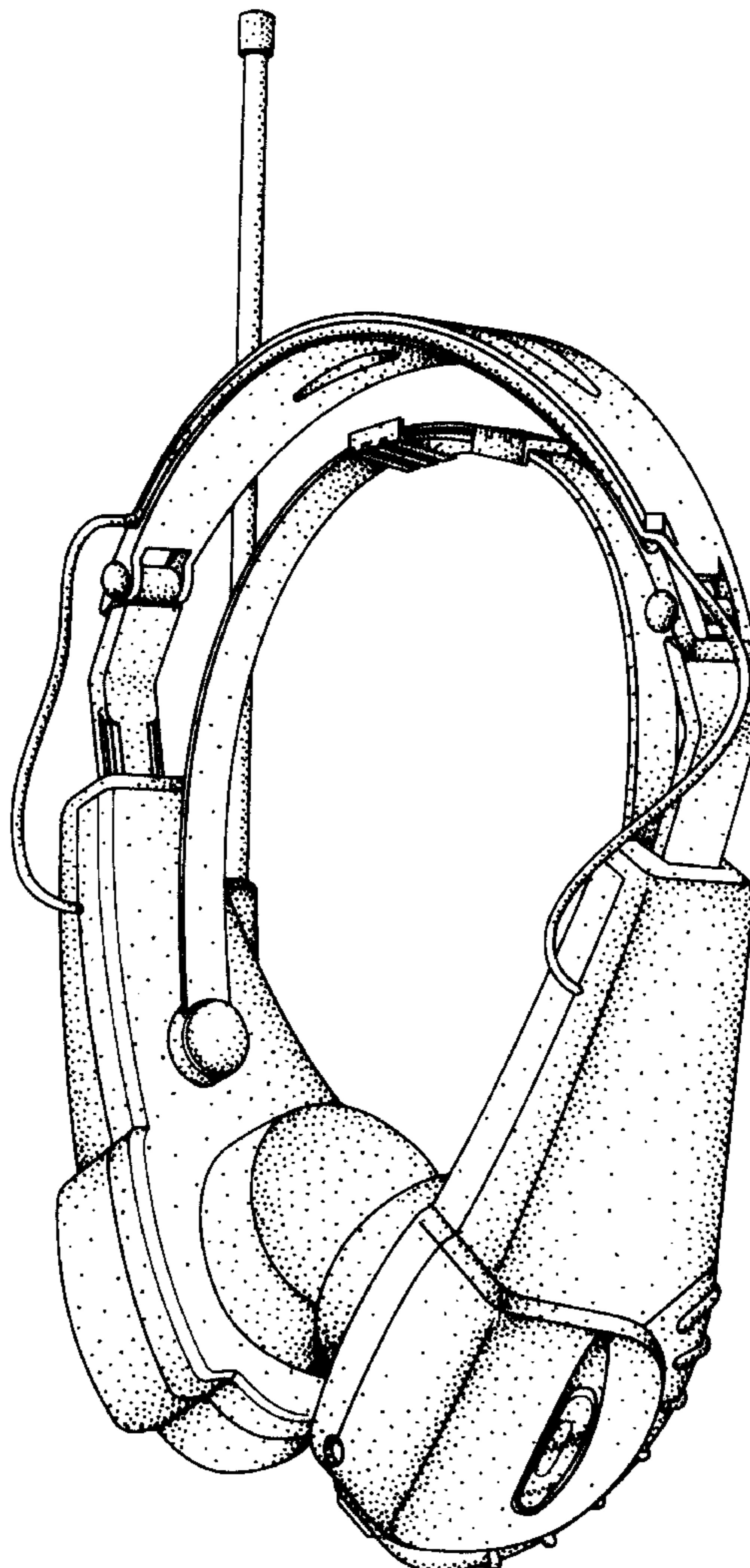
FIG. 1 is a front perspective view from the right side, showing my new design for a headphone radio;
FIG. 2 is a front view thereof;
FIG. 3 is a rear view thereof;
FIG. 4 is a left side view thereof;
FIG. 5 is a right side view thereof;
FIG. 6 is a top plan view thereof; and,
FIG. 7 is a bottom plan view thereof.

[56] **References Cited**

U.S. PATENT DOCUMENTS

D. 340,033	10/1993	Okumura et al.	D14/192
D. 342,947	1/1994	Totsuka	D14/205 X
D. 342,949	1/1994	Hyogo	D14/205 X
D. 352,036	11/1994	Sekita	D14/198 X

1 Claim, 5 Drawing Sheets



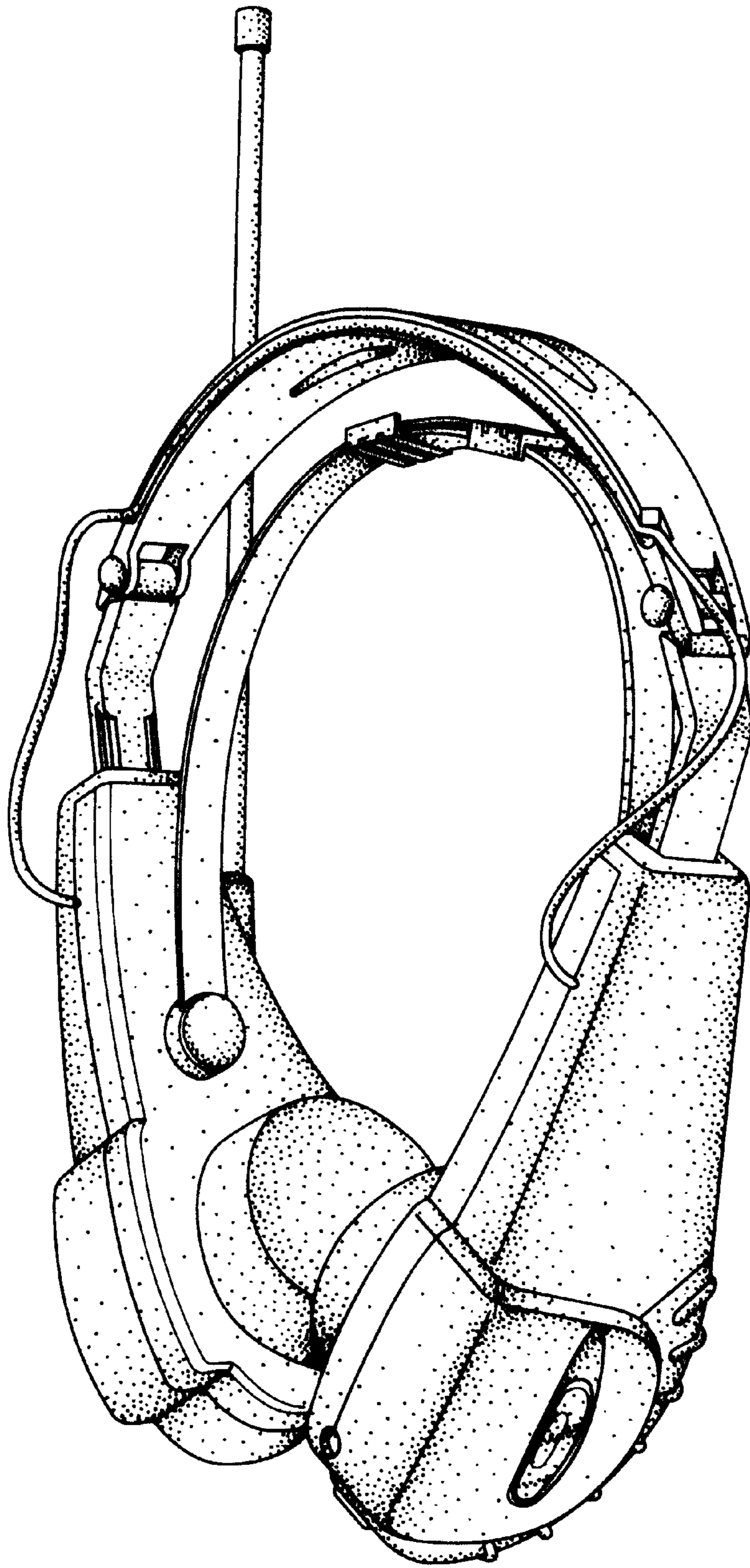


FIG. 1



FIG. 2



FIG. 3

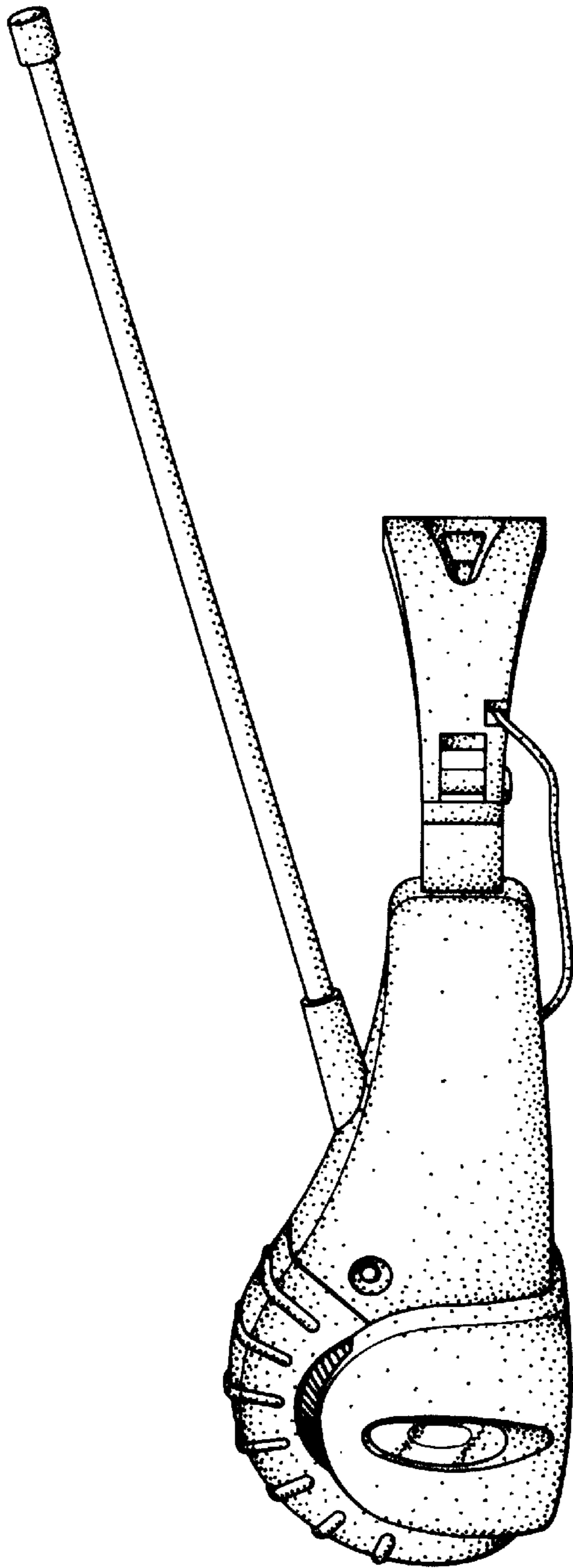


FIG. 4

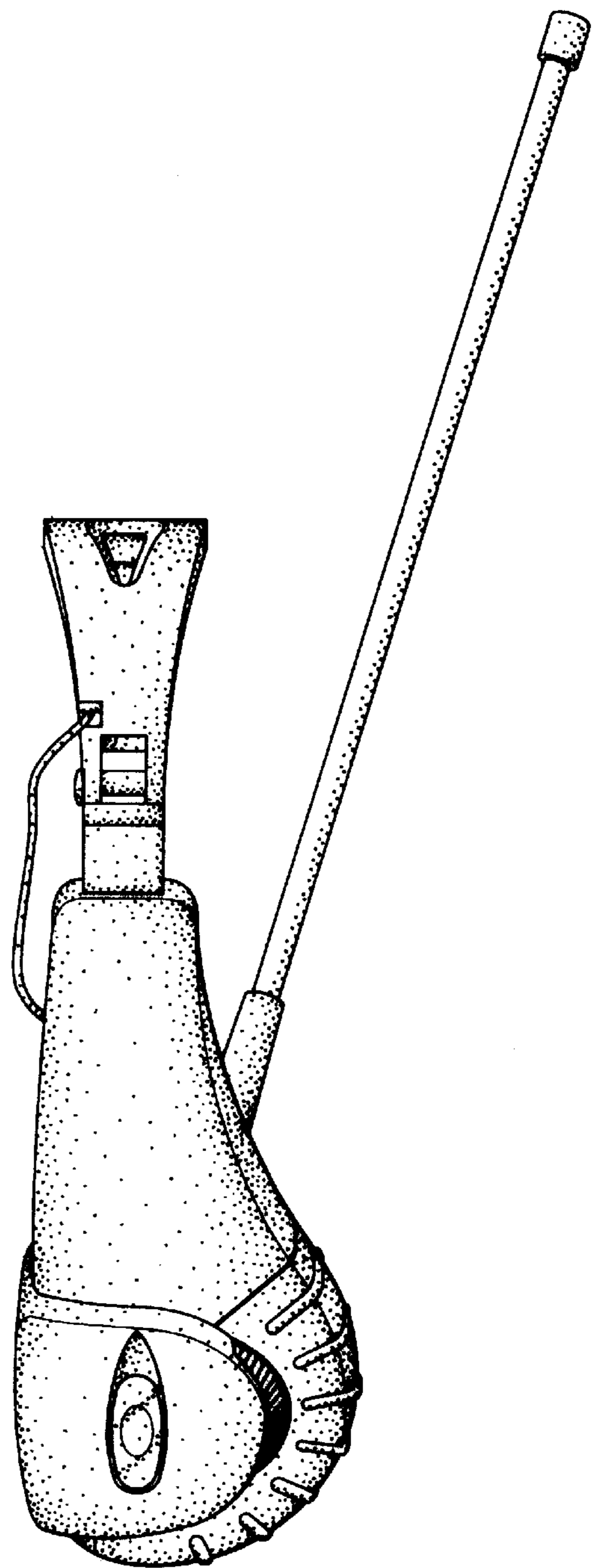


FIG. 5

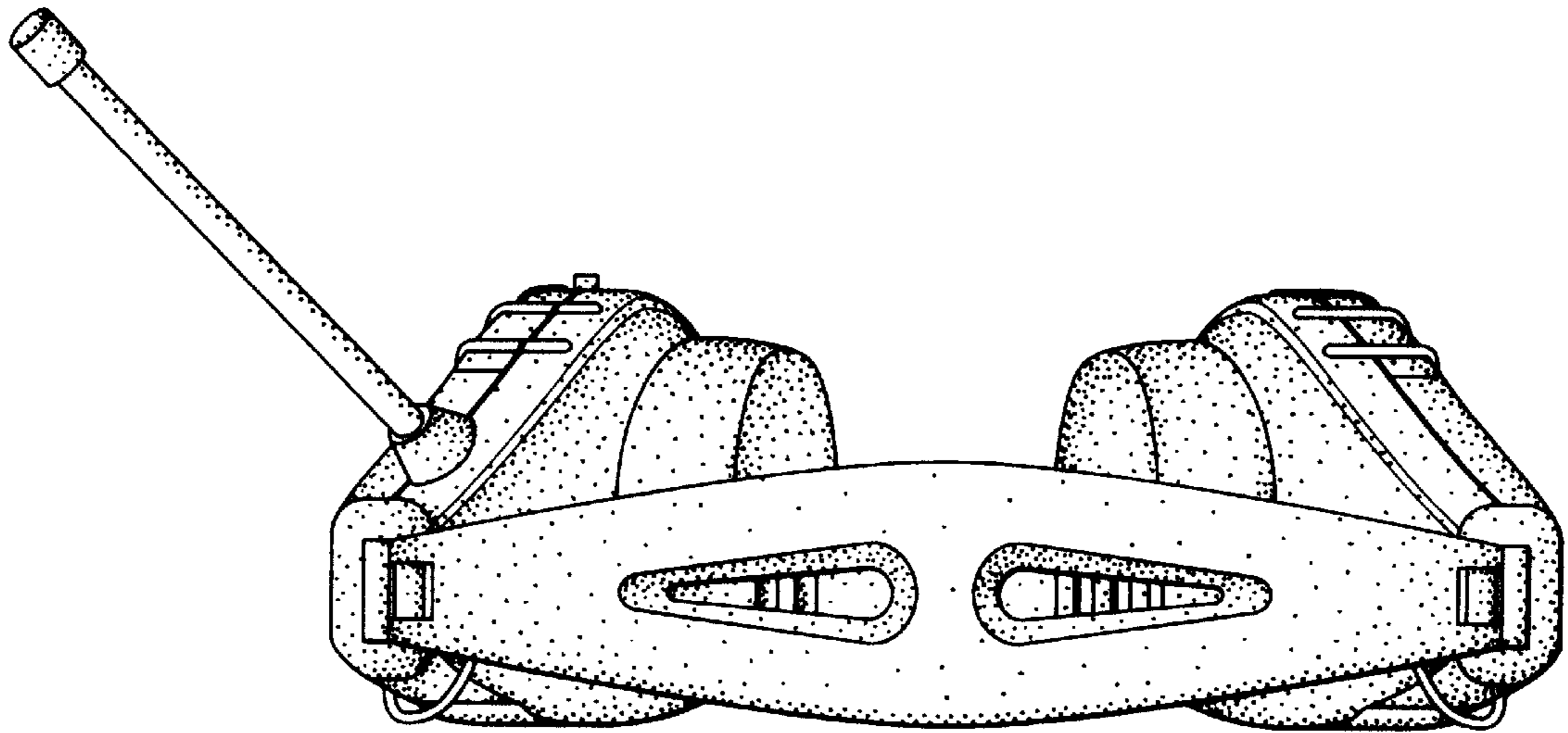


FIG. 6

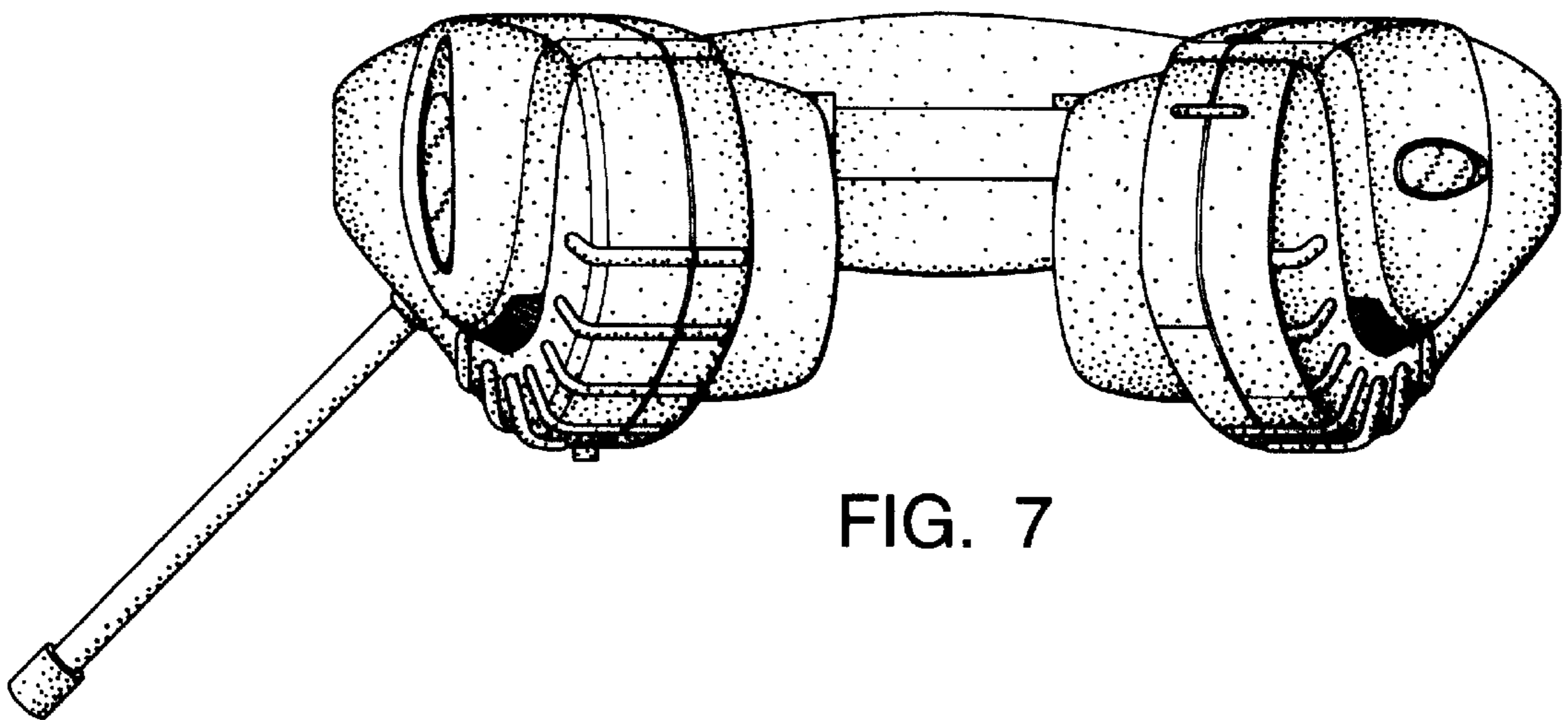


FIG. 7