



US00D418508S

United States Patent [19] Kopiloff

[11] **Patent Number: Des. 418,508**
[45] **Date of Patent: ** Jan. 4, 2000**

[54] **PAGER WITH CLIP AND CONTAINER ATTACHMENT**

5,443,193 8/1995 Lenard 224/252

[76] Inventor: **George Kopiloff**, 678 Chavcer Ct., Red Lands, Calif. 92374

Primary Examiner—Nanda Bondade
Attorney, Agent, or Firm—Goldstein & Canino

[**] Term: **14 Years**

[57] **CLAIM**

[21] Appl. No.: **29/095,240**

The ornamental design for a pager with clip and container attachment, as shown and described.

[22] Filed: **Oct. 20, 1998**

DESCRIPTION

[51] **LOC (7) Cl.** **14-03**

[52] **U.S. Cl.** **D14/191; D14/192**

[58] **Field of Search** D3/218; D14/124, D14/188, 191, 192, 299; 340/311.1; 455/90, 92, 100, 128, 344

FIG. 1 is a perspective view of a pager with clip and container attachment showing my new design, the broken line showing of the spray bottle housed in the container is for illustrative purposes only and forms no part of the claimed design;

[56] **References Cited**

U.S. PATENT DOCUMENTS

D. 354,286	1/1995	Van Wijnen	D14/191
D. 368,365	4/1996	Castilla et al.	D3/218
D. 368,581	4/1996	Cincotta	D3/218
D. 369,166	4/1996	Jones	D14/191
D. 374,668	10/1996	Komamiya et al.	D14/191
4,479,596	10/1984	Swanson	D3/218 X
5,429,301	7/1995	Franks	239/1

FIG. 2 is a perspective view thereof, wherein the container attachment is removed from the pager, shown separately for clarity of illustration;

FIG. 3 is a front elevational view of FIG. 1;

FIG. 4 is a rear elevational view thereof.

FIG. 5 is a left side elevational view thereof.

FIG. 6 is a right side elevational view thereof.

FIG. 7 is a top plan view thereof; and,

FIG. 8 is a bottom plan view thereof.

1 Claim, 3 Drawing Sheets

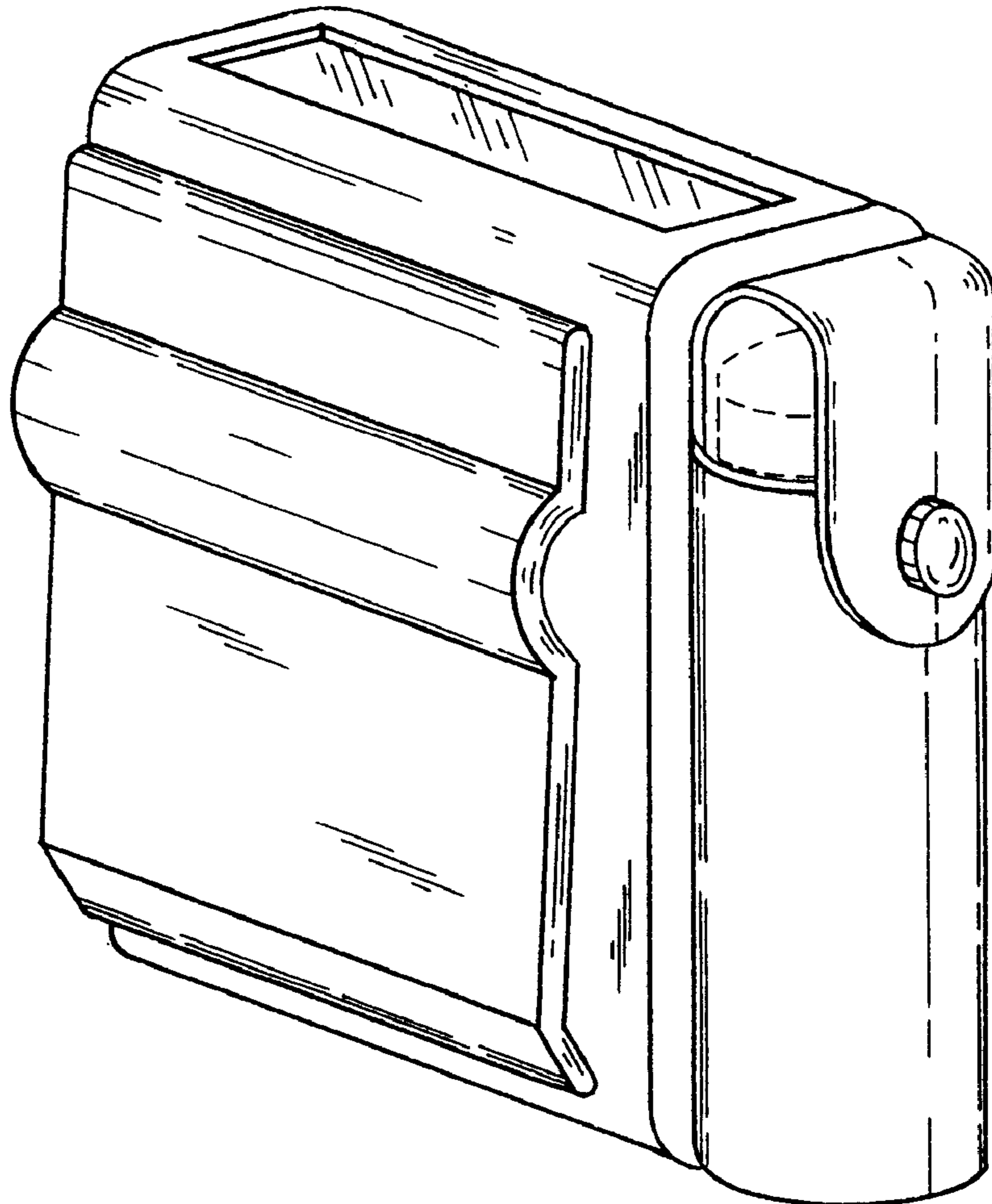


FIG. 1

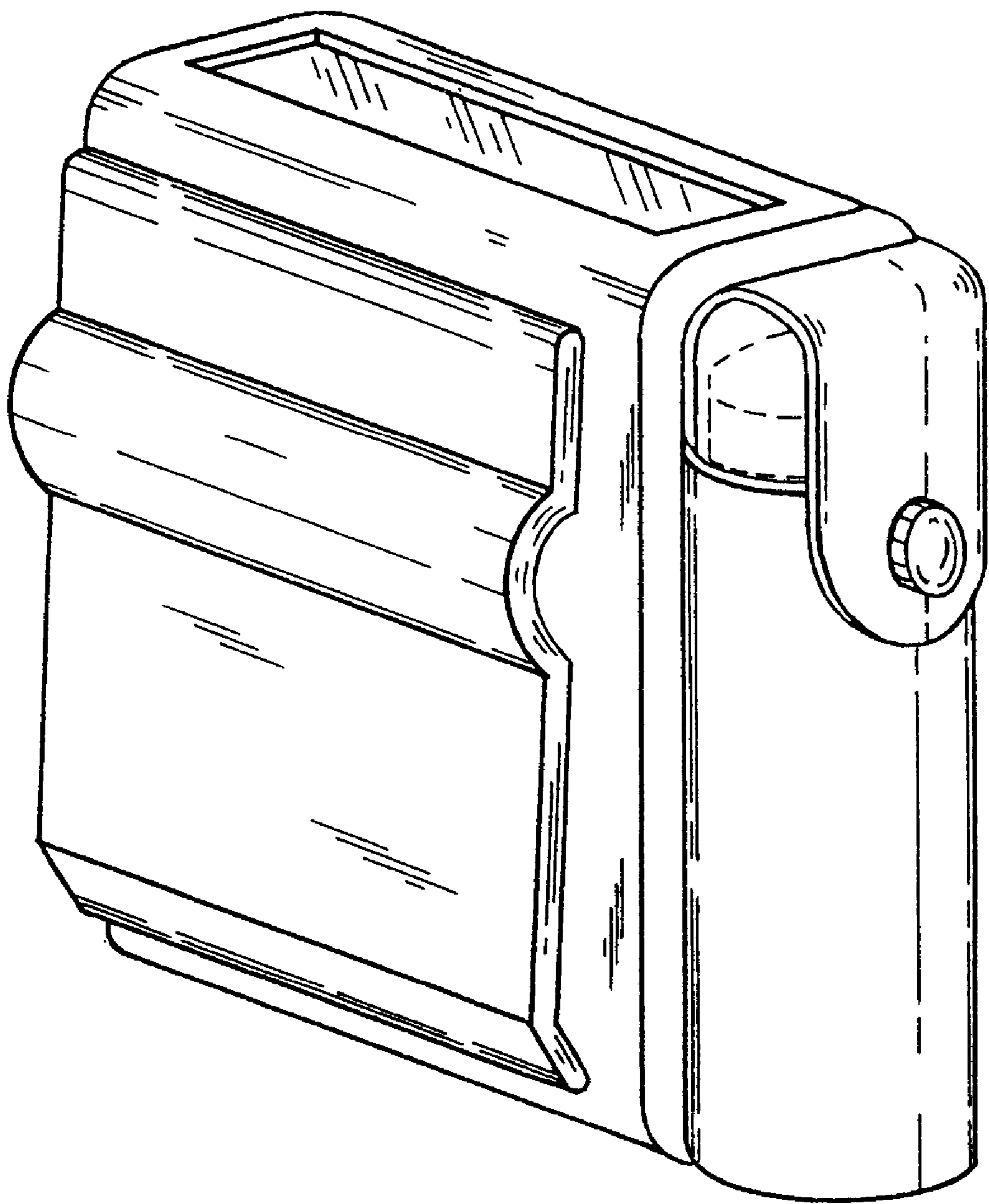


FIG. 2

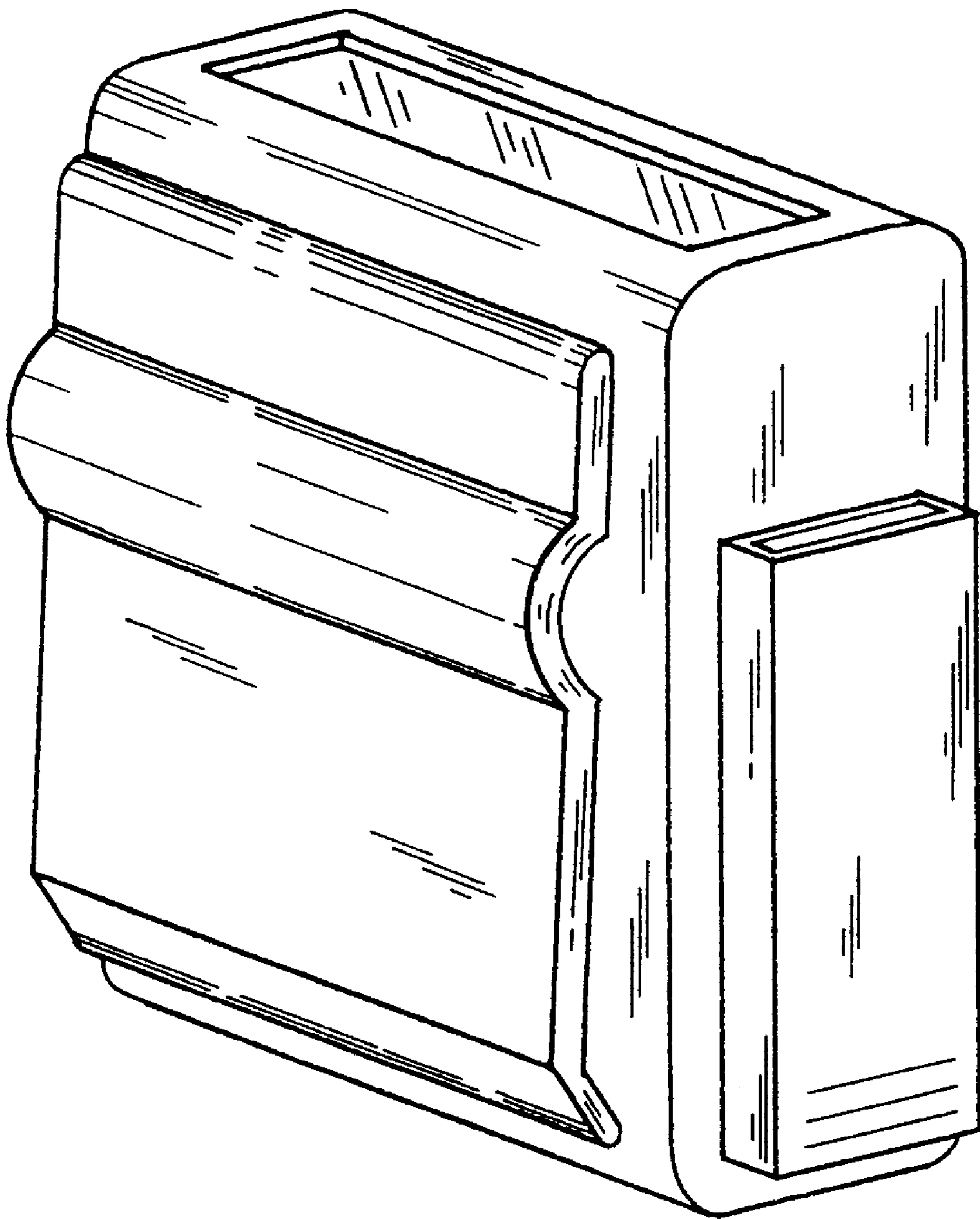


FIG. 3

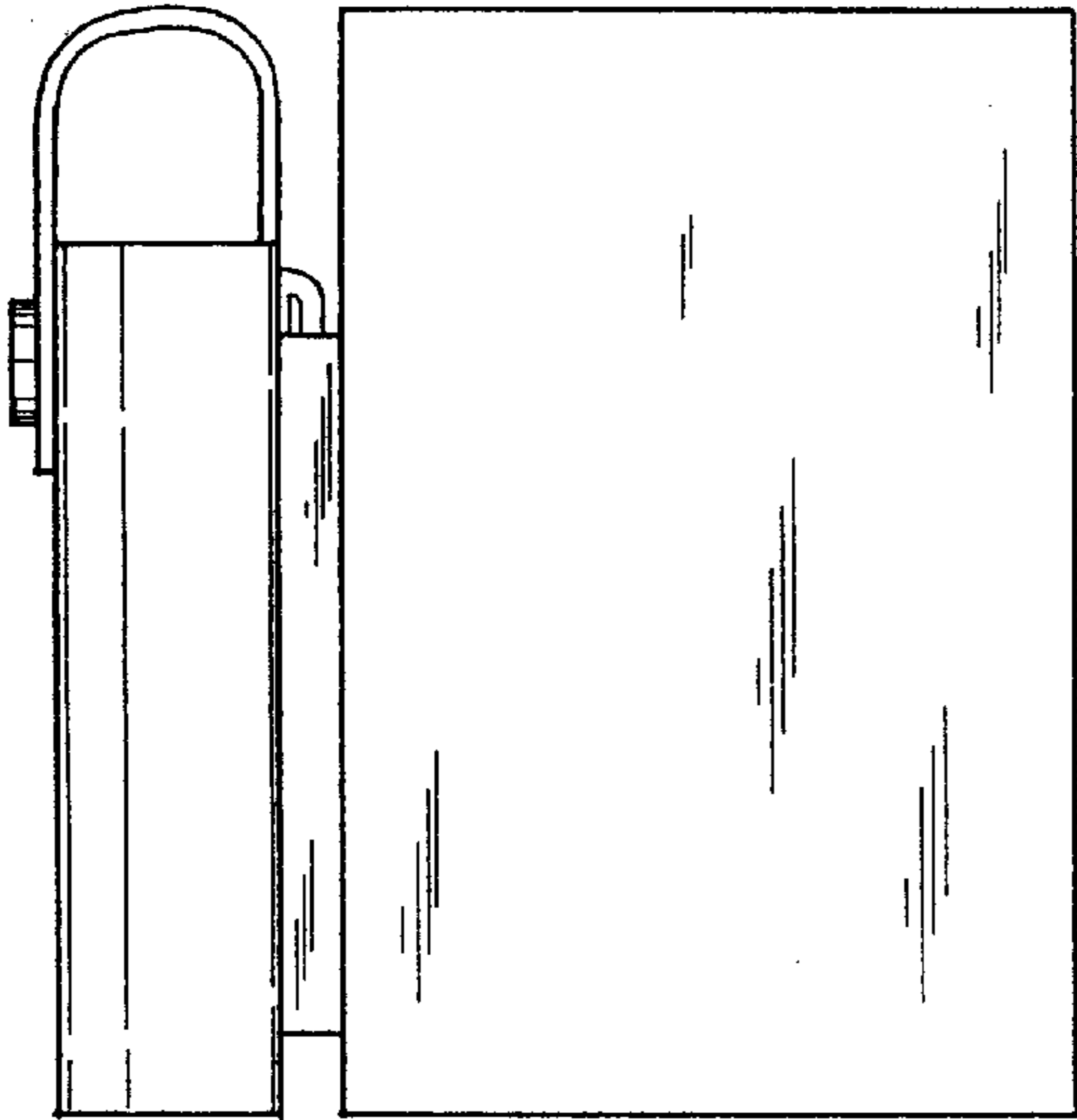


FIG. 4

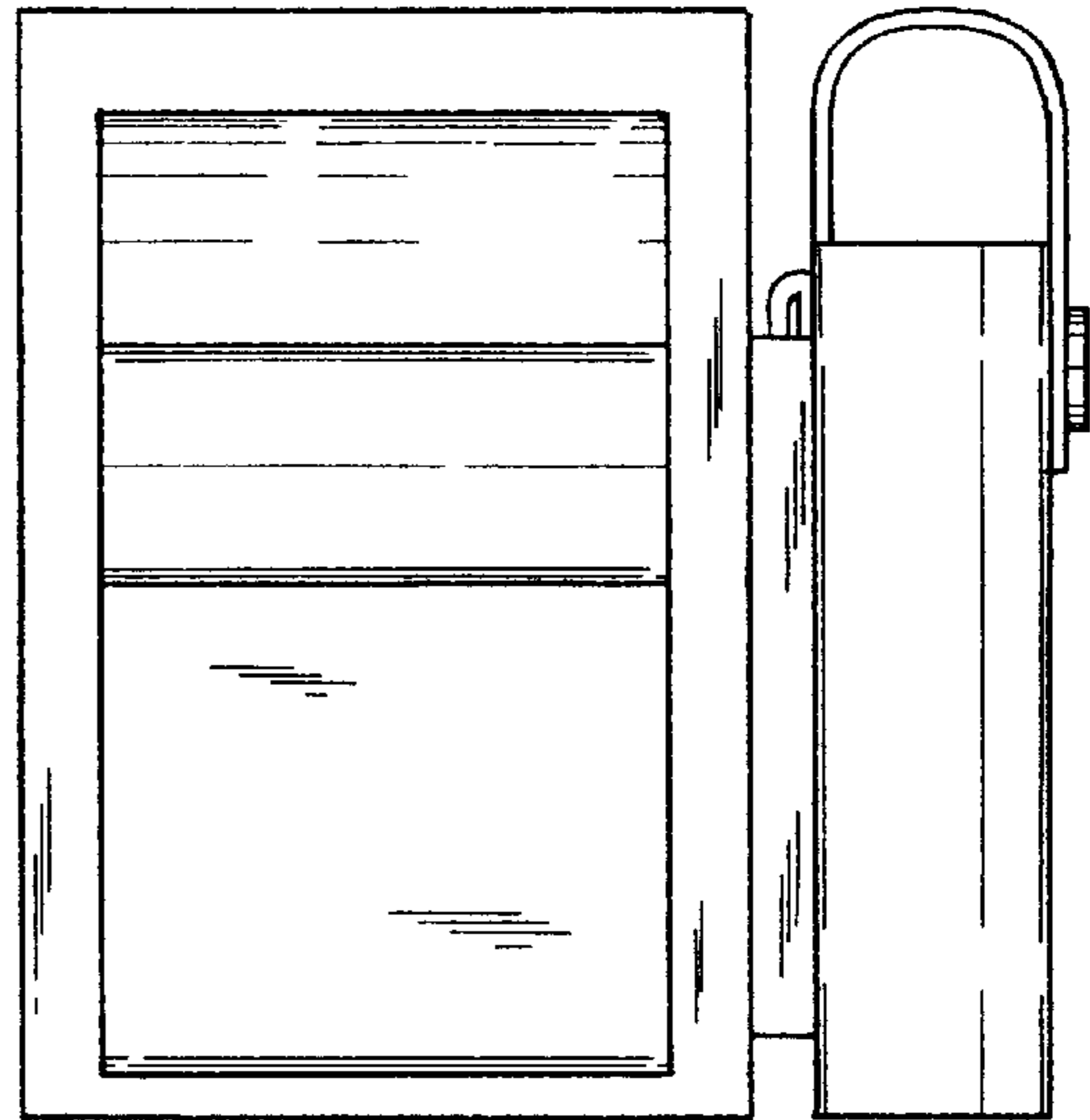


FIG. 5

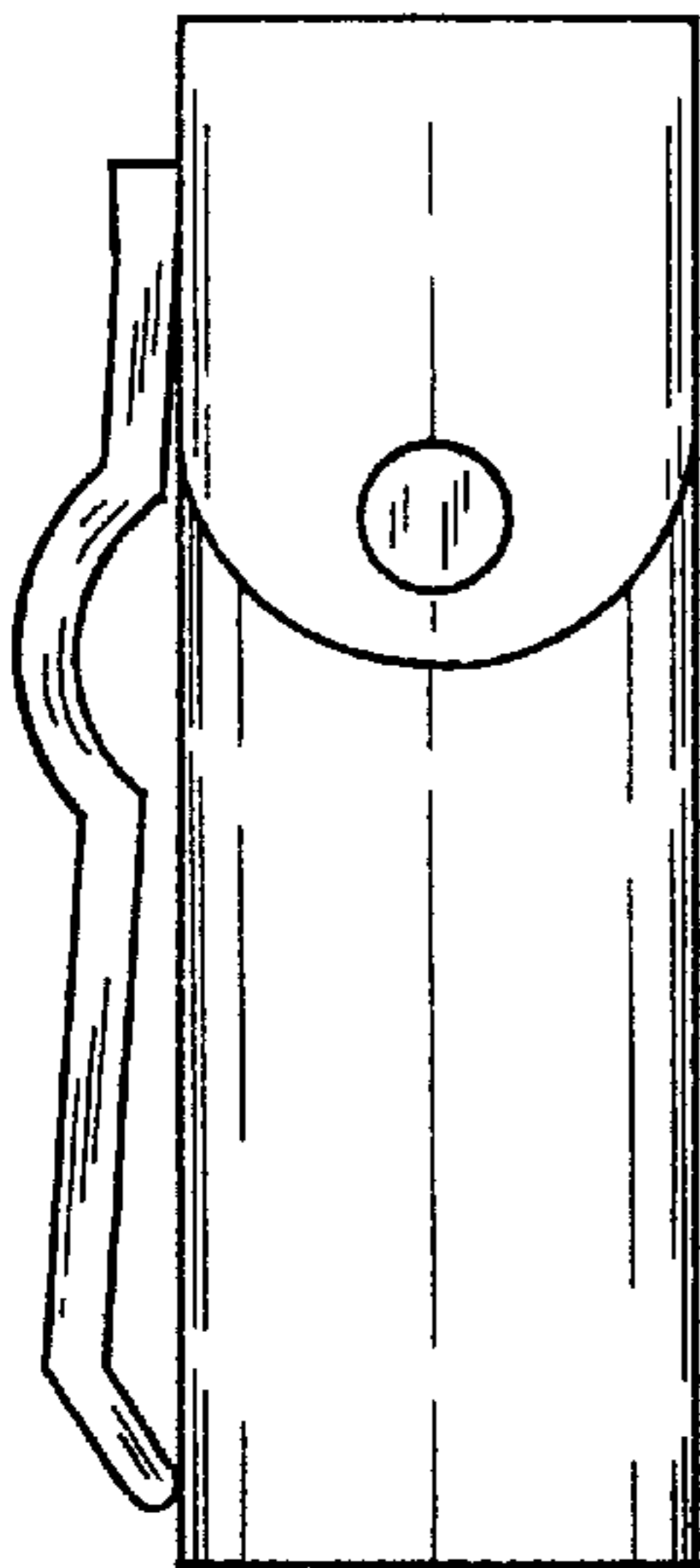


FIG. 6

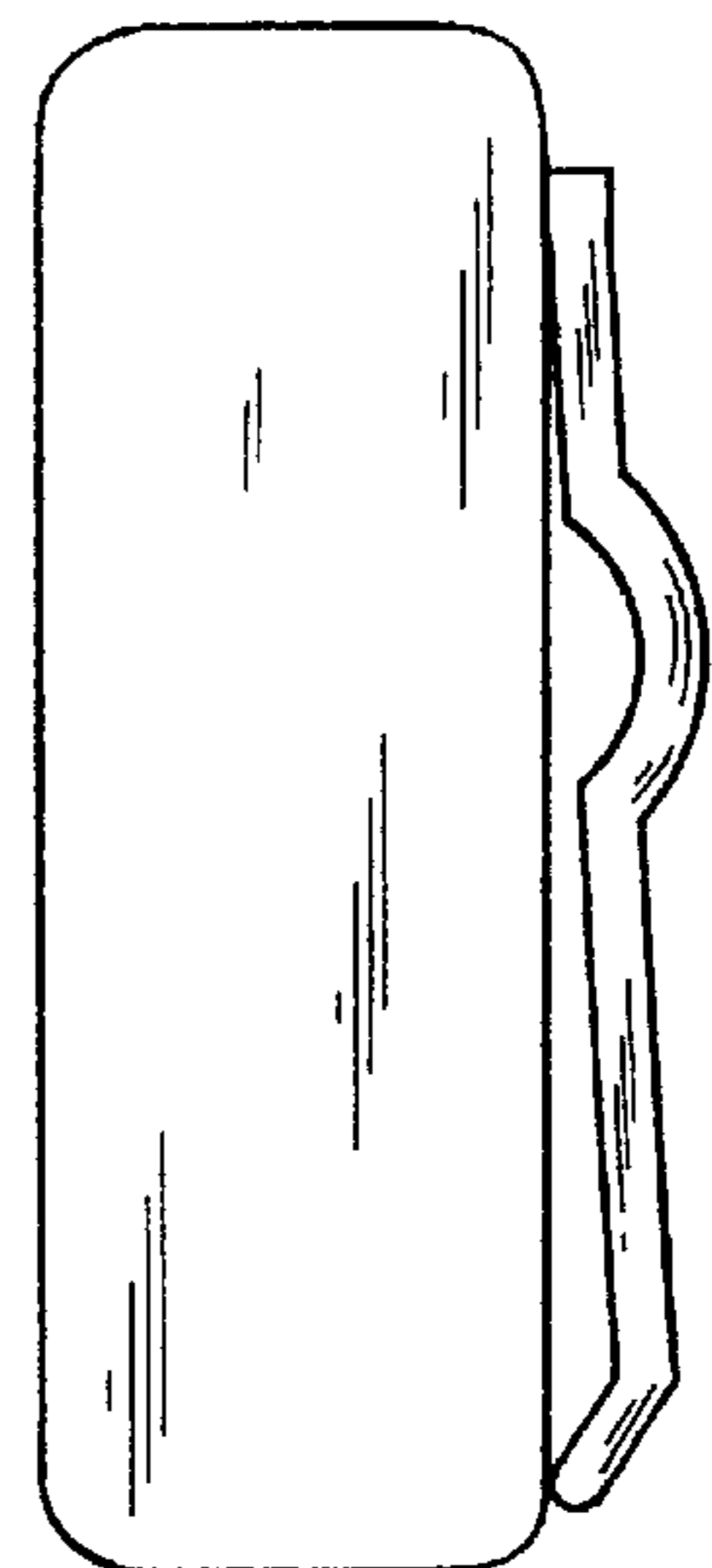


FIG. 7

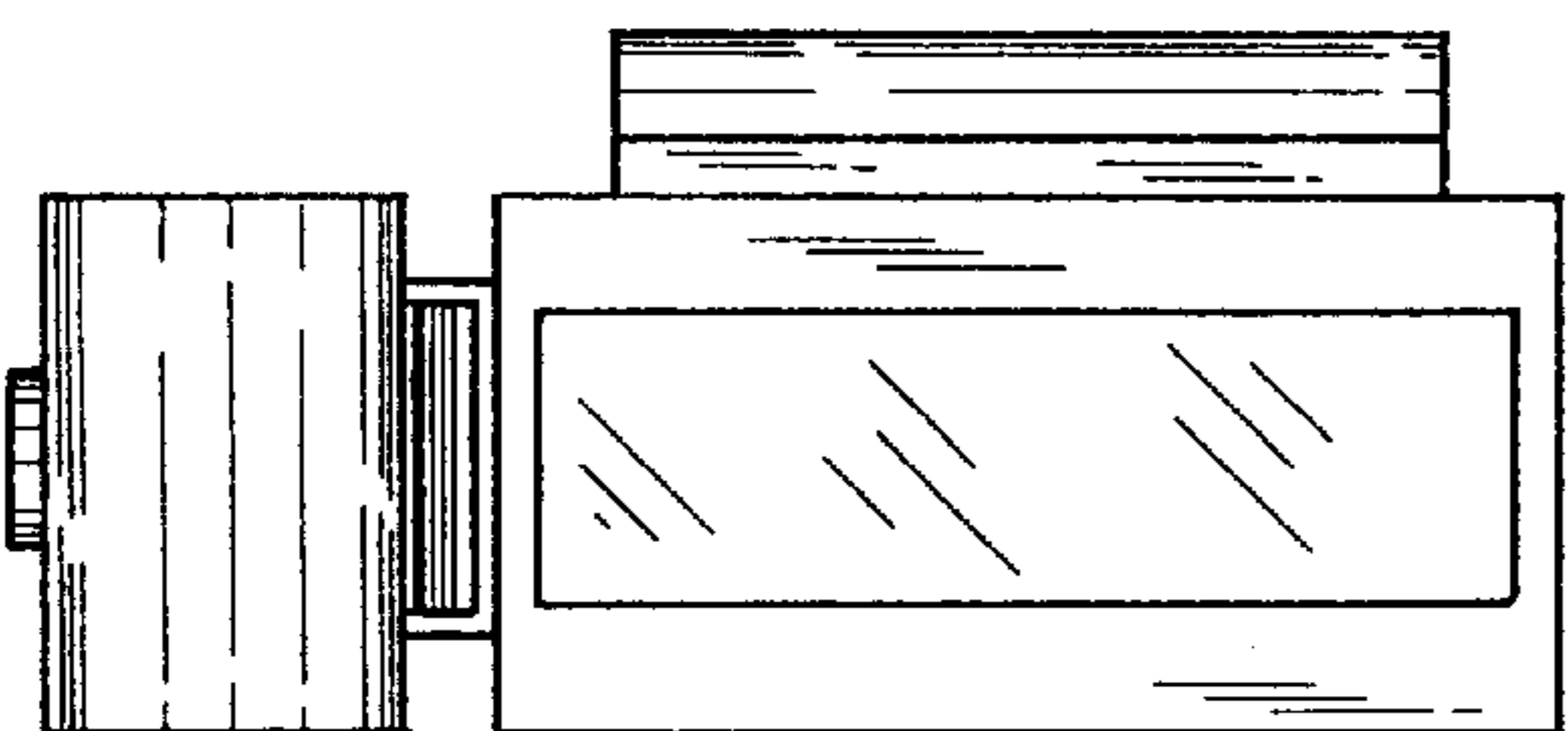


FIG. 8

