



US00D418506S

United States Patent [19]
Yamashita

[11] **Patent Number: Des. 418,506**

[45] **Date of Patent: ** Jan. 4, 2000**

[54] **OPTICAL DISC PLAYER**

D. 344,713 3/1994 Staley D14/135
4,561,085 12/1985 Funabashi D14/156 X
5,301,178 4/1994 Okabe et al. 369/77.1

[75] Inventor: **Norio Yamashita**, Musashino, Japan

[73] Assignee: **Teac Corporation**, Tokyo, Japan

[**] Term: **14 Years**

Primary Examiner—Nanda Bondade
Attorney, Agent, or Firm—Ladas & Parry

[21] Appl. No.: **29/084,460**

[57] **CLAIM**

[22] Filed: **Mar. 4, 1998**

The ornamental design for an optical disc player, as shown and described.

[30] **Foreign Application Priority Data**

DESCRIPTION

Sep. 12, 1997 [JP] Japan 9-67793
Feb. 19, 1998 [JP] Japan 10-4409

[51] **LOC (7) Cl.** **14-01**

[52] **U.S. Cl.** **D14/156**

[58] **Field of Search** D14/107, 109,
D14/135-136, 156-157, 160-162, 164,
167-168, 188, 197-198, 257-260, 265;
369/75.1, 77.1, 77.2

FIG. 1 is a perspective view of an optical disc player showing my new design;
FIG. 2 is a front view thereof;
FIG. 3 is a rear view thereof;
FIG. 4 is a top view thereof;
FIG. 5 is a bottom view thereof; and,
FIG. 6 is a left side view thereof, the right side view being a mirror image of the left side.

[56] **References Cited**

U.S. PATENT DOCUMENTS

D. 340,716 10/1993 Ito et al. D14/156

1 Claim, 3 Drawing Sheets

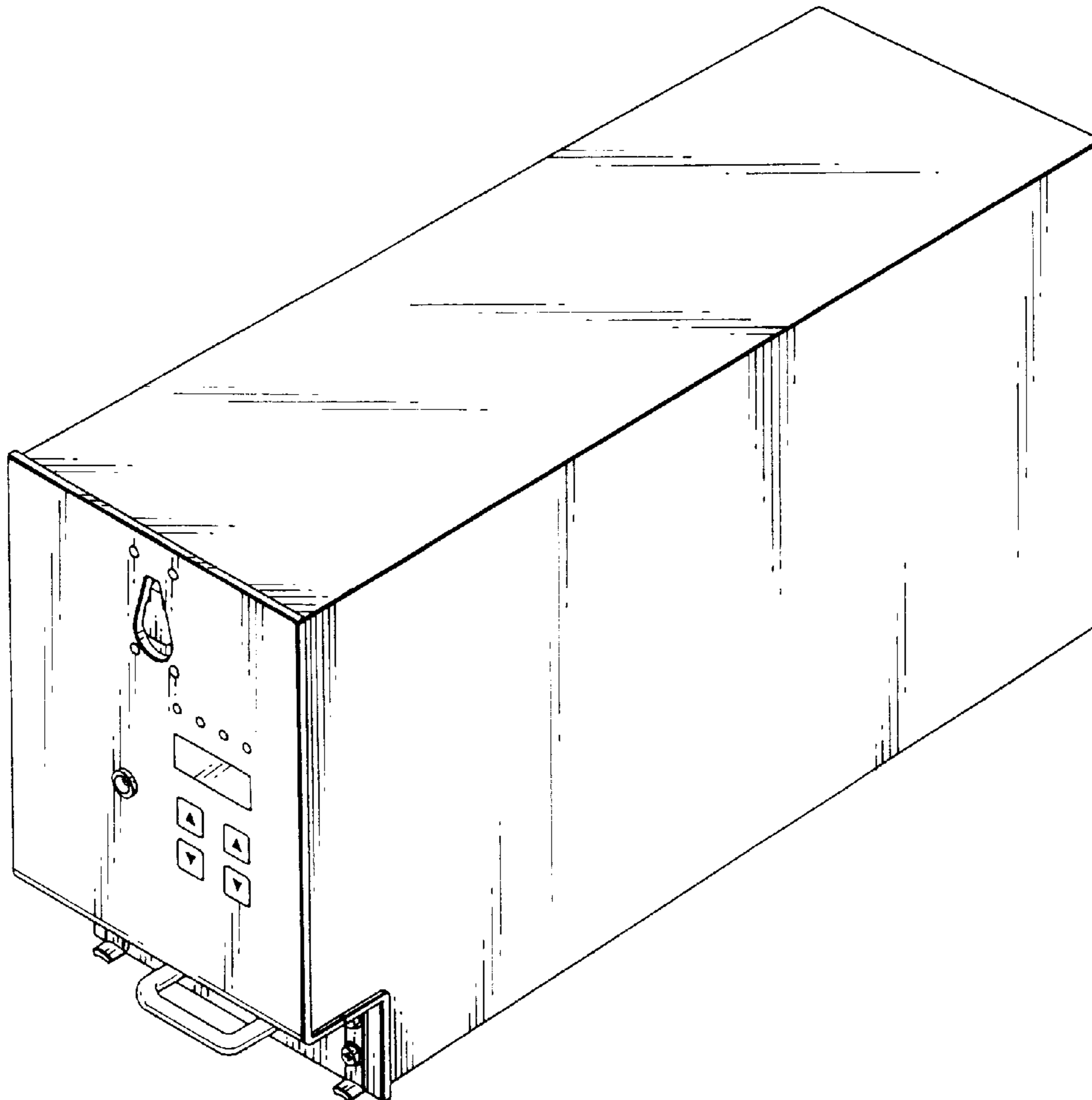


FIG. 1

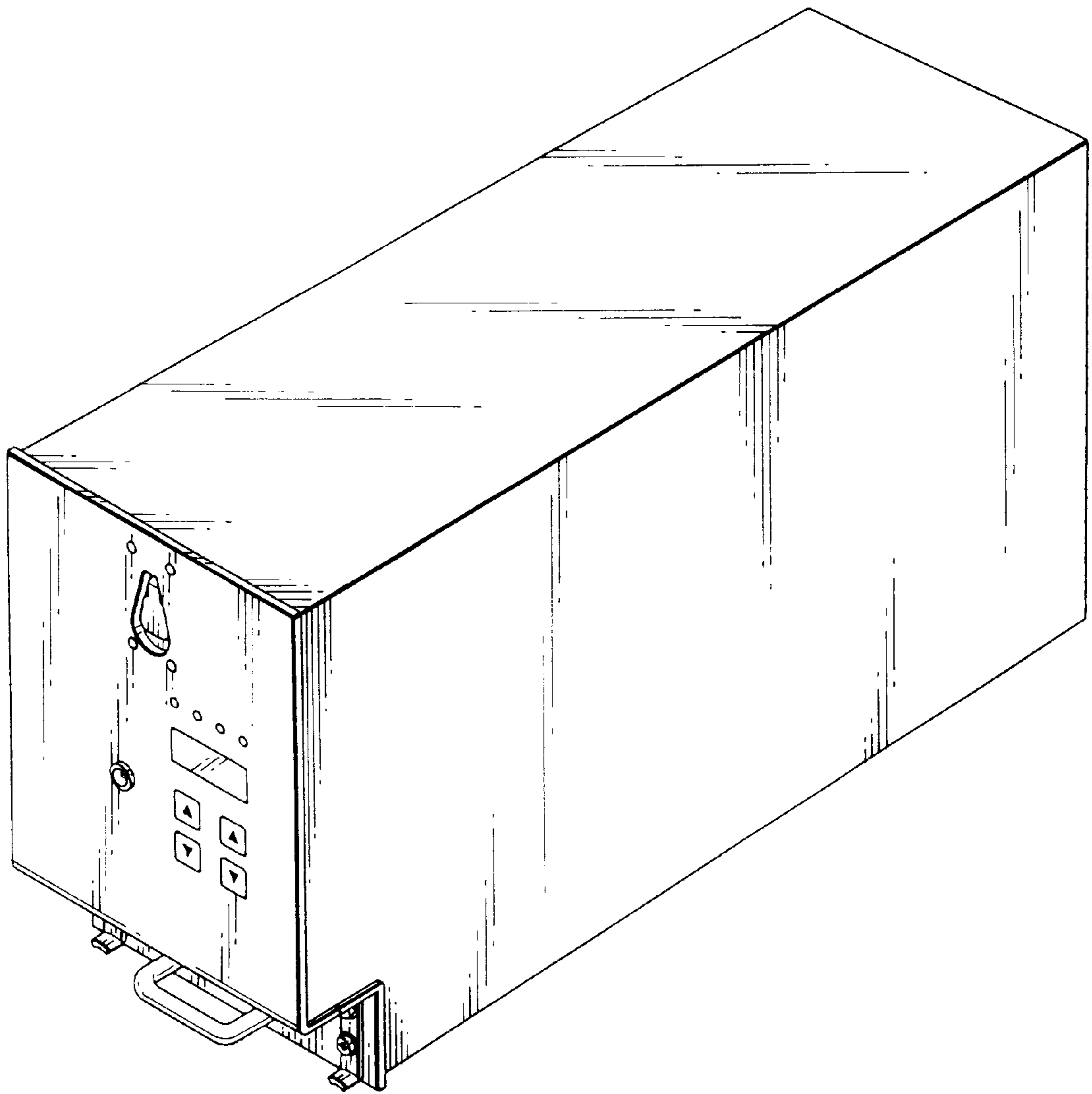


FIG. 2

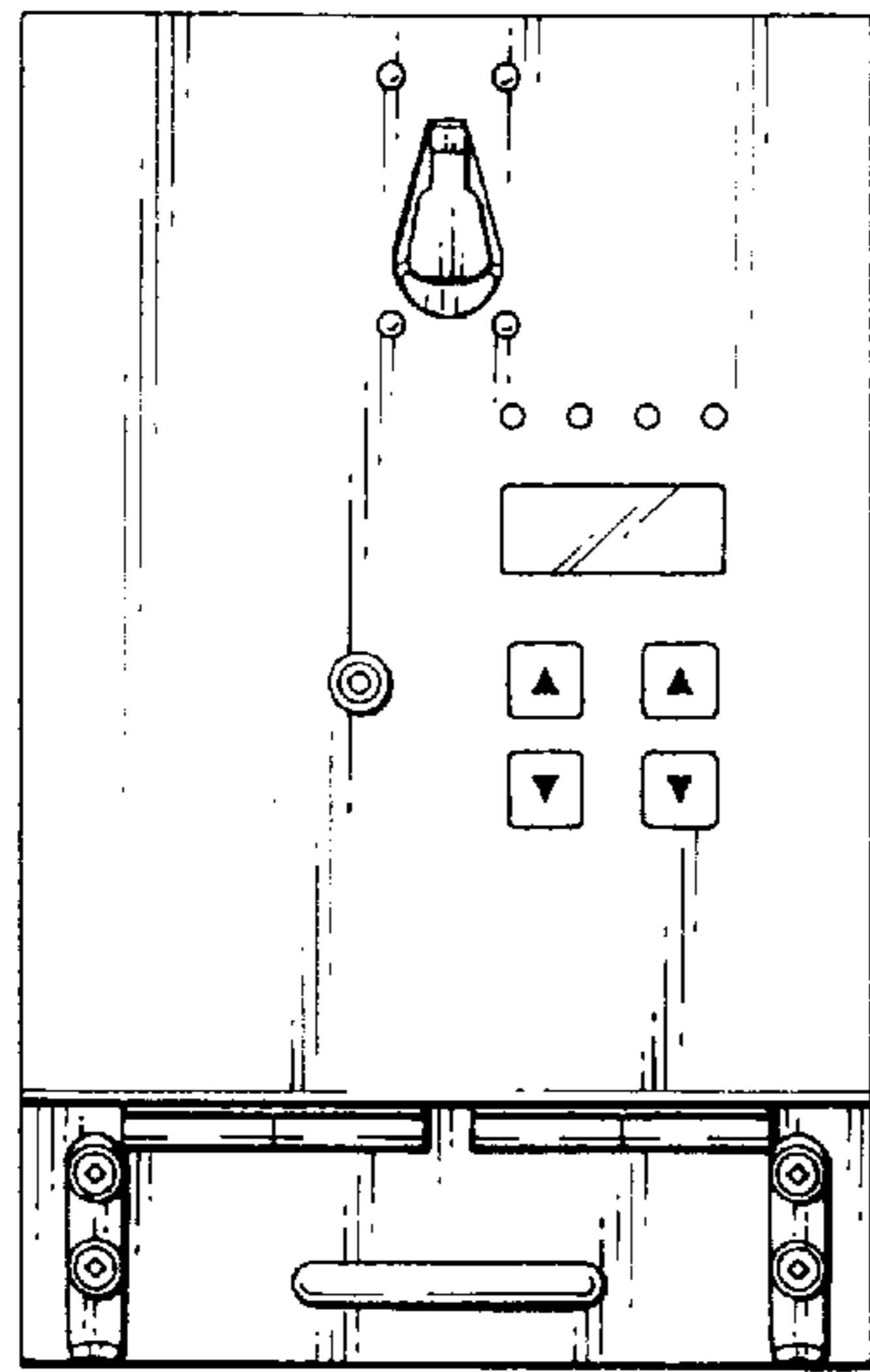


FIG. 3

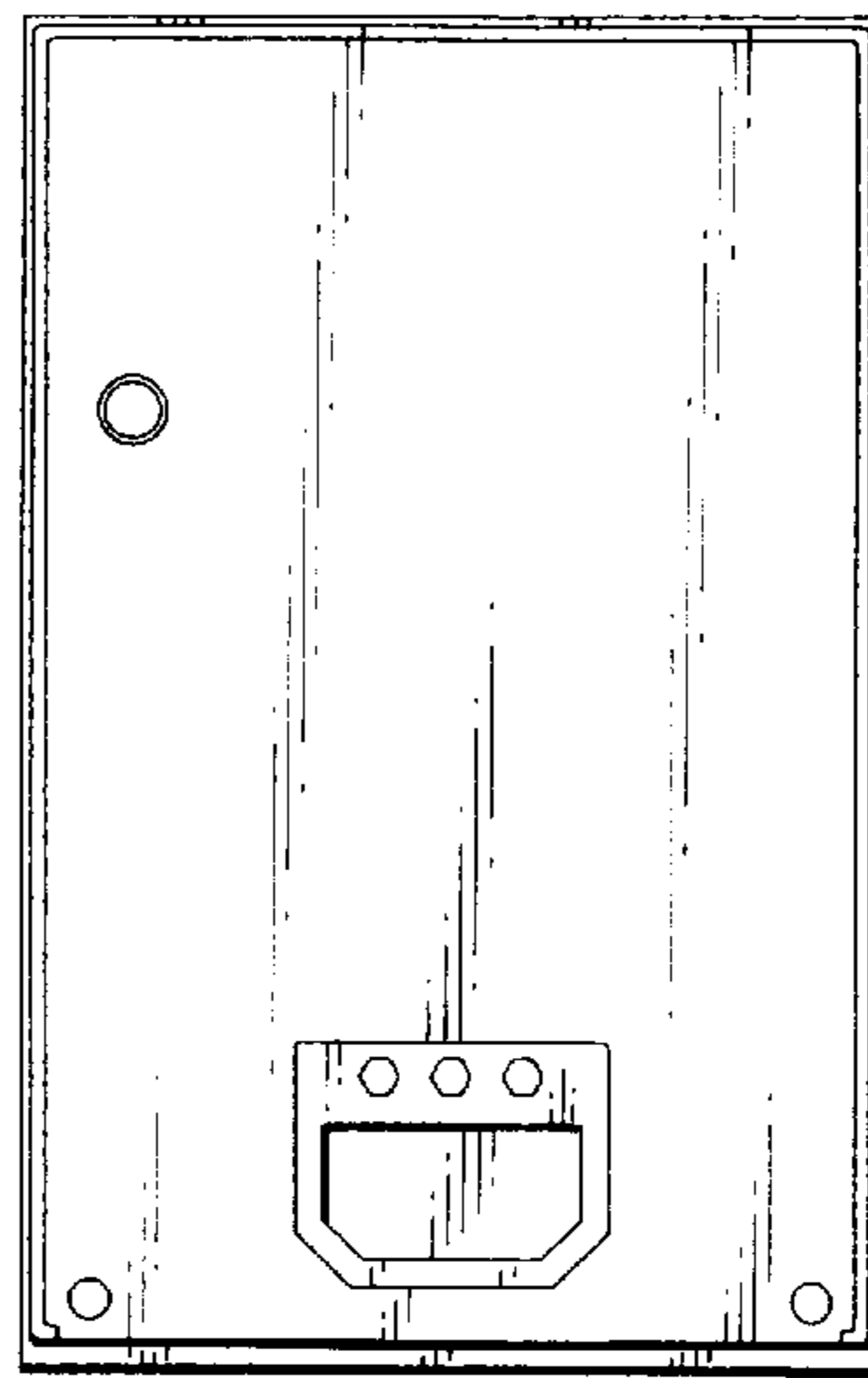


FIG. 4

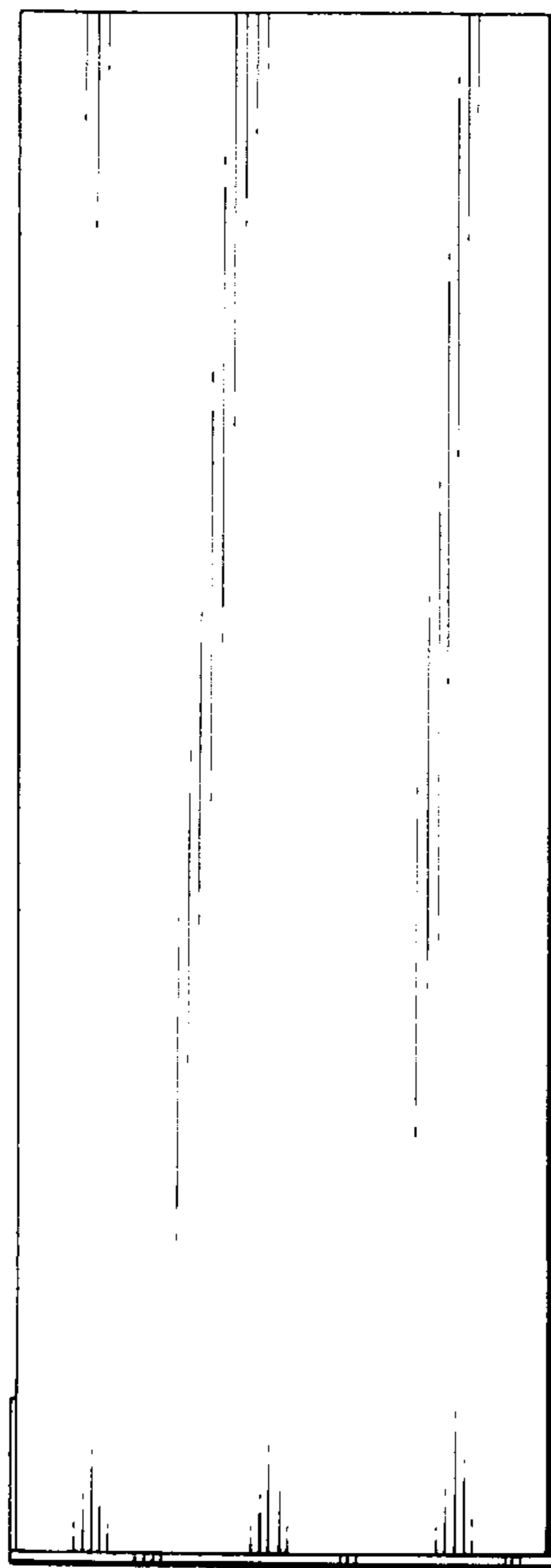


FIG. 5

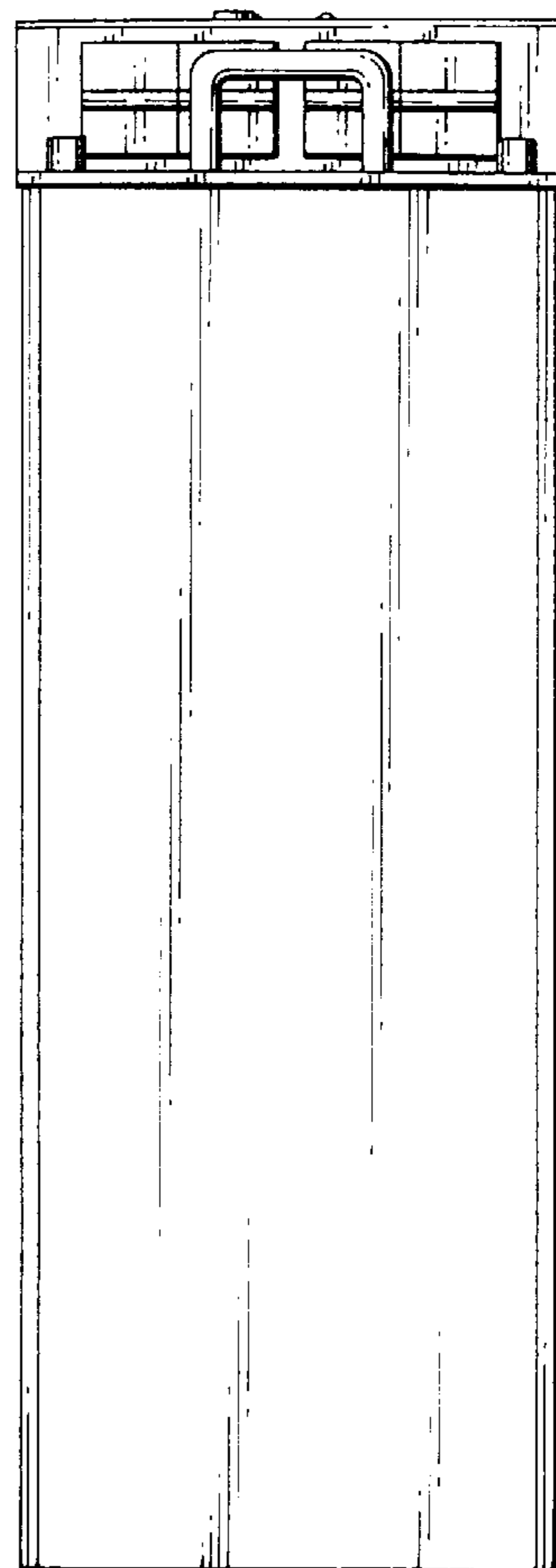


FIG. 6

