



US00D418500S

United States Patent [19]

Giordano et al.

[11] Patent Number: Des. 418,500

[45] Date of Patent: ** *Jan. 4, 2000

[54] COMBINED OPTICAL SCANNER AND MOUNTING STAND

[75] Inventors: **Joseph Giordano**, Bayville; **Jean Tu**, Stony Brook; **Philip Swift**, Port Jefferson, all of N.Y.

[73] Assignee: **Symbol Technologies, Inc.**, Holtsville, N.Y.

[*] Notice: This patent is subject to a terminal disclaimer.

[**] Term: **14 Years**

[21] Appl. No.: **29/068,829**

[22] Filed: **Mar. 14, 1997**

[51] LOC (7) Cl. **14-02**

[52] U.S. Cl. **D14/116**

[58] Field of Search D14/100, 107, D14/114, 116; 235/375, 378, 385, 454, 462, 486, 472; 382/312-15, 318-19; 250/203.1, 216; D26/37, 45, 50; D13/107

[56] References Cited

U.S. PATENT DOCUMENTS

D. 316,087	4/1991	Meckstroth et al.	D14/114
D. 351,149	10/1994	Bontly et al.	D14/116
D. 361,565	8/1995	LaManna et al.	D14/116
D. 362,435	9/1995	Charych et al.	D14/116
D. 374,869	10/1996	Karlin	D14/116
D. 376,357	12/1996	Ferland et al.	D14/116
D. 378,916	4/1997	Kanno et al.	D14/116

Primary Examiner—M. H. Tung
Attorney, Agent, or Firm—Kirschstein et al.

[57] CLAIM

The ornamental design for a combined optical scanner and mounting stand, as shown and described.

DESCRIPTION

FIG. 1 is a top, left side perspective view of a combined optical scanner and mounting stand showing our new design, the optical scanner is shown separately for clarity of illustration;

FIG. 2 is a top plan view thereof;

FIG. 3 is a right-side front elevational view thereof;

FIG. 4 is an front elevational view thereof;

FIG. 5 is a left-side elevational view thereof;

FIG. 6 is a rear elevational view thereof;

FIG. 7 is a bottom plan view thereof;

FIG. 8 is a top, front, left-side perspective view of the mounting stand for the optical scanner of FIGS. 1-7;

FIG. 9 is a top plan view thereof;

FIG. 10 is a left-side elevational view thereof;

FIG. 11 is a rear elevational view thereof;

FIG. 12 is a front elevational view thereof;

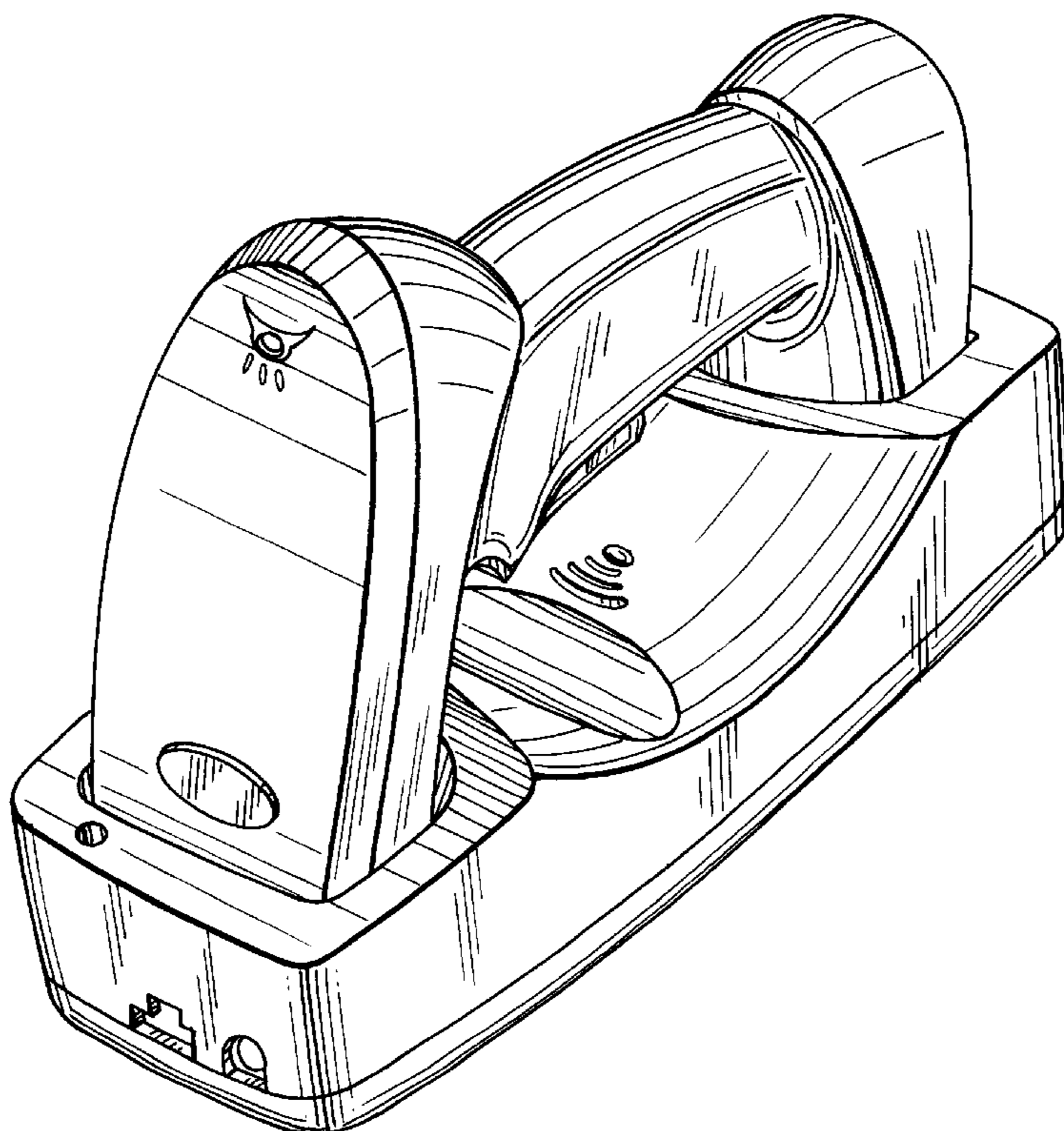
FIG. 13 is a bottom plan view thereof;

FIG. 14 is a top, front, left side perspective view of the combined optical scanner and mounting stand;

FIG. 15 is a top, right side, rear perspective view of the optical scanner; and,

FIG. 16 is a bottom, rear, right side perspective view of the combined optical scanner and mounting stand.

1 Claim, 7 Drawing Sheets



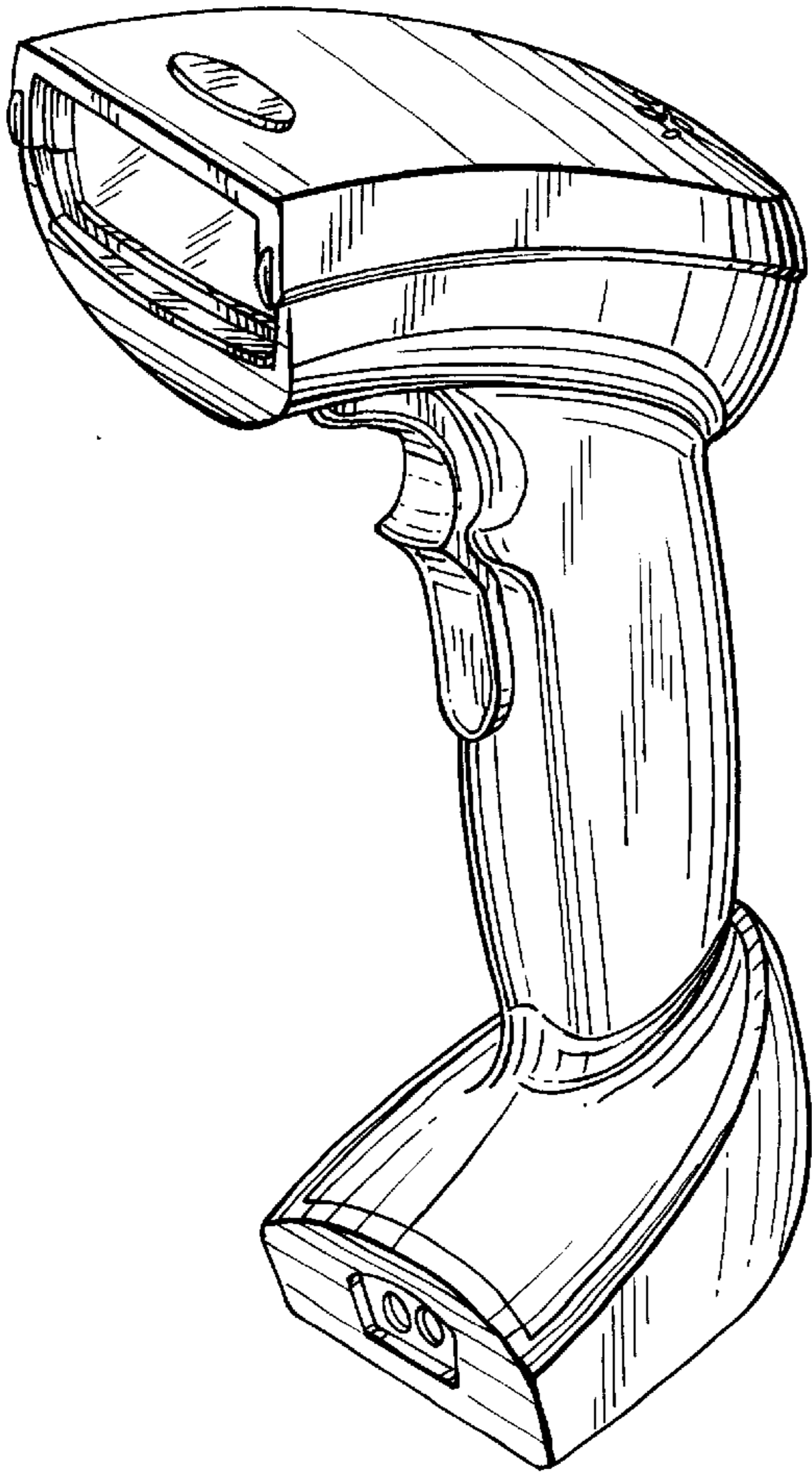


FIG. 1

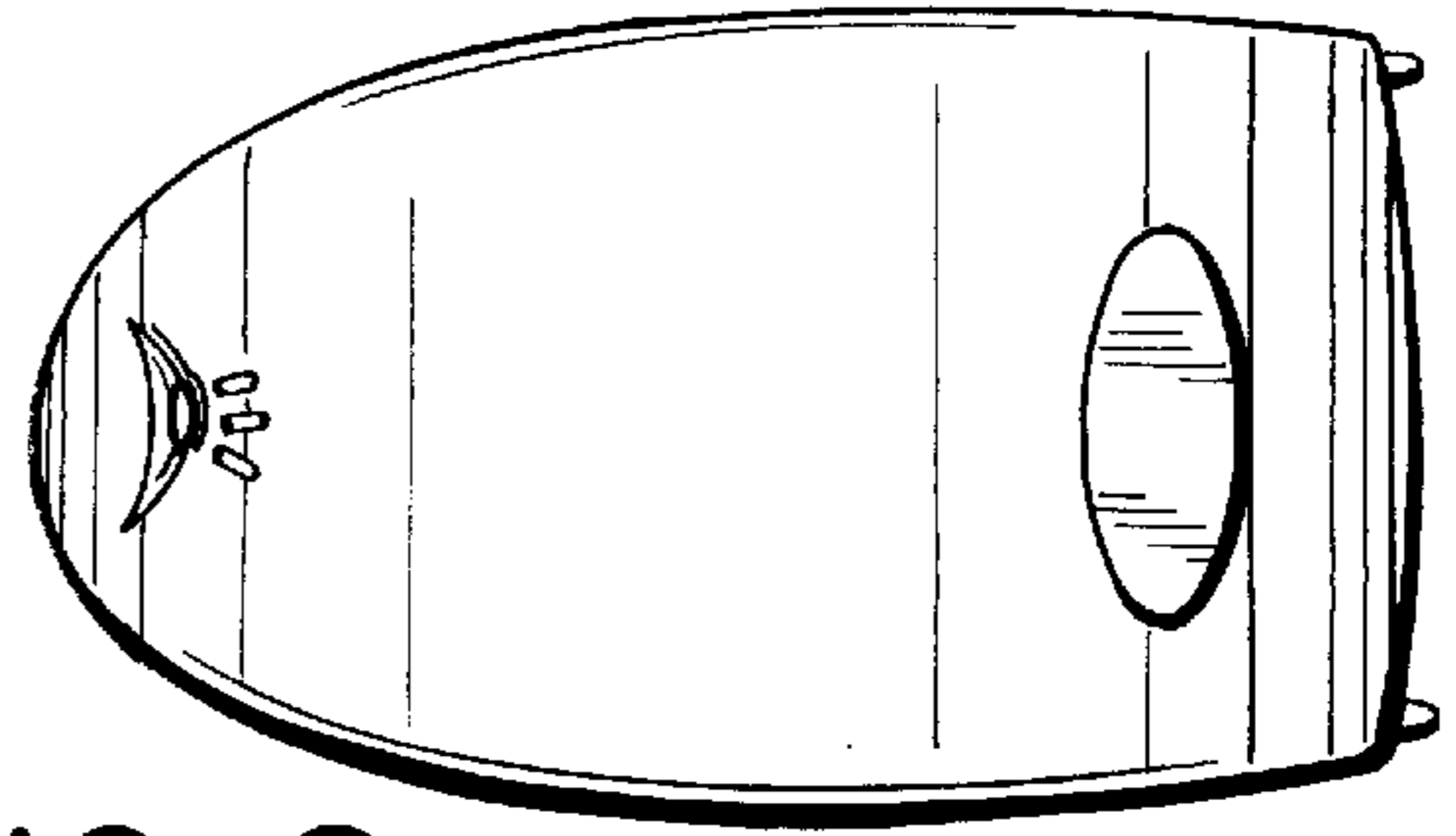


FIG. 2

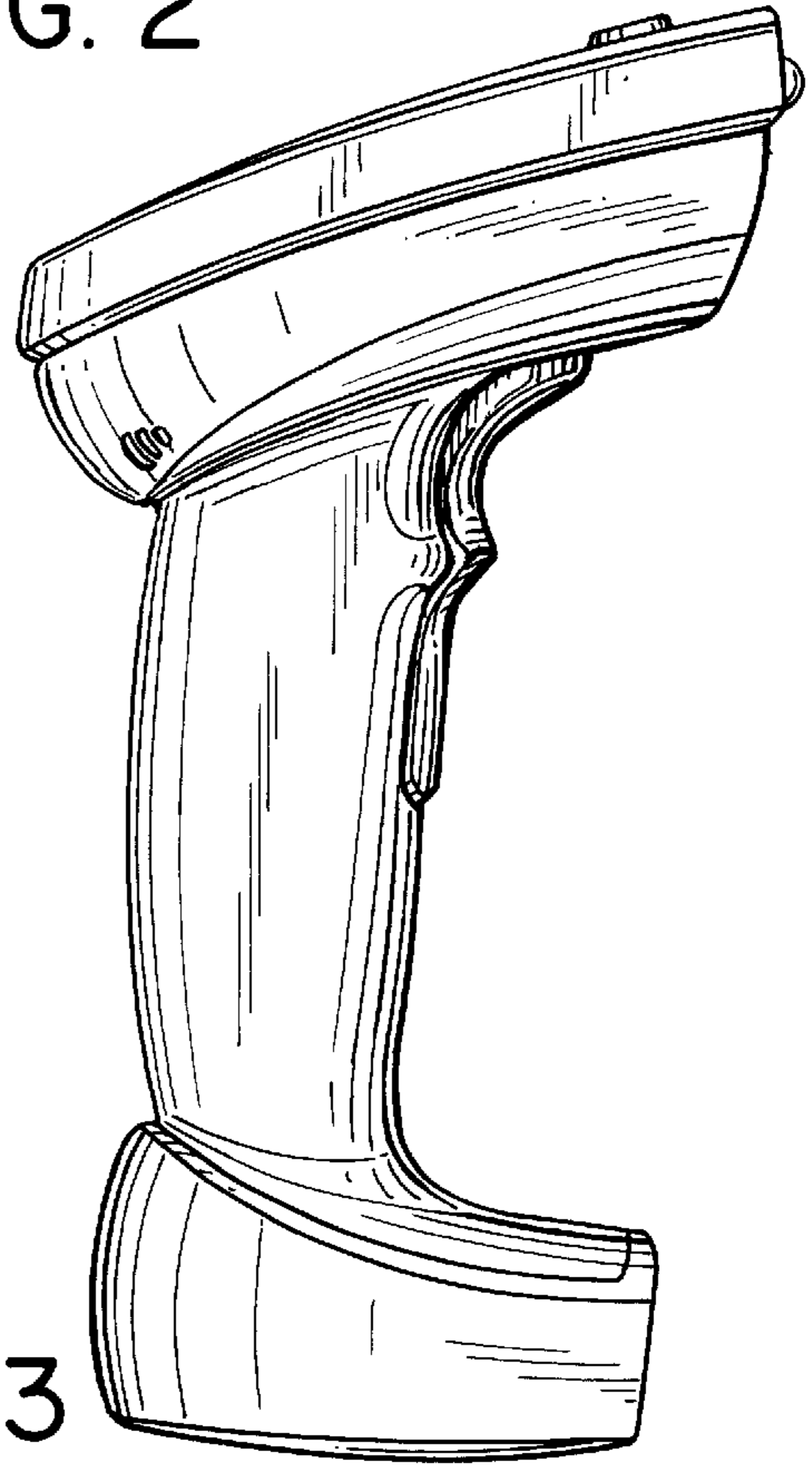


FIG. 3

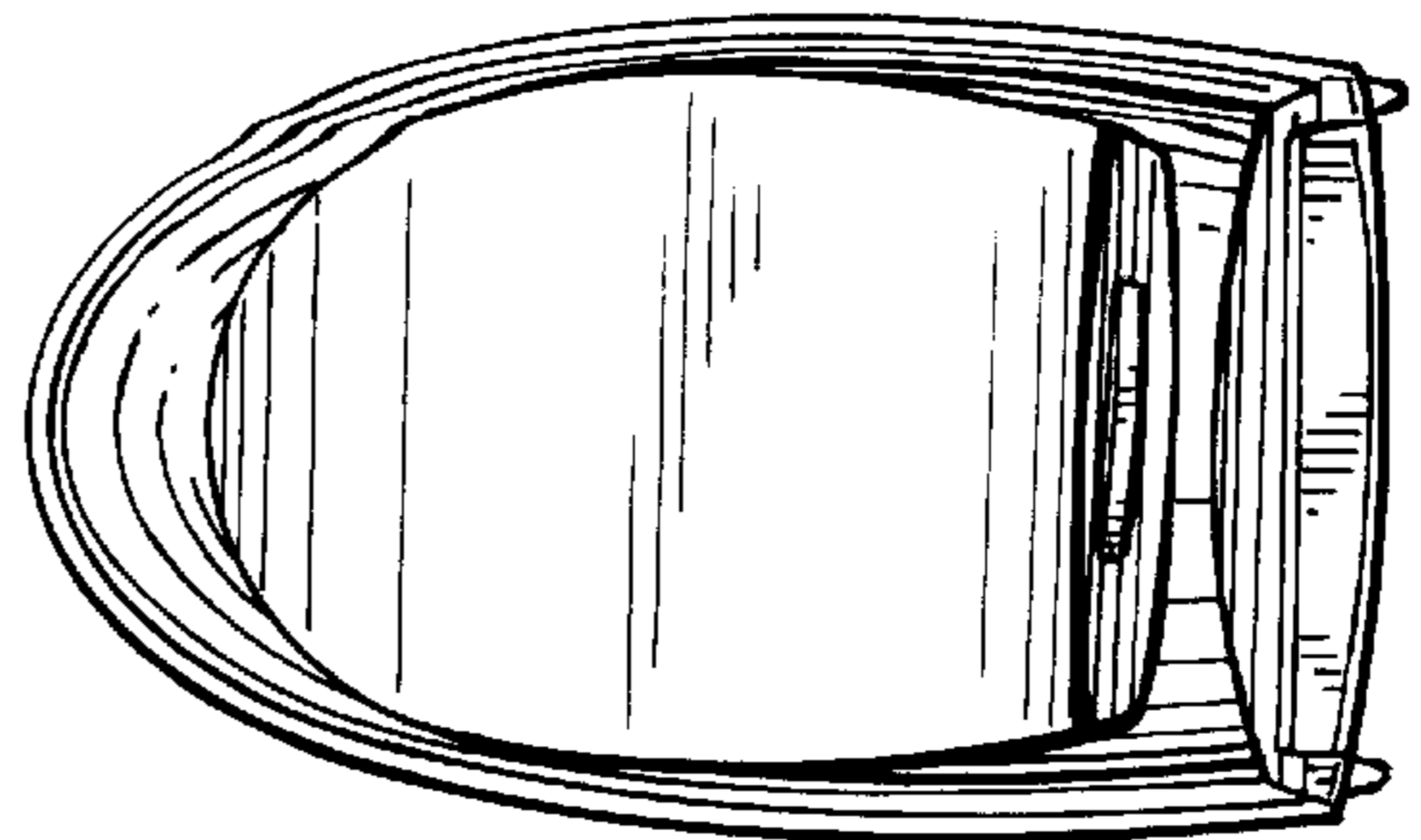


FIG. 7

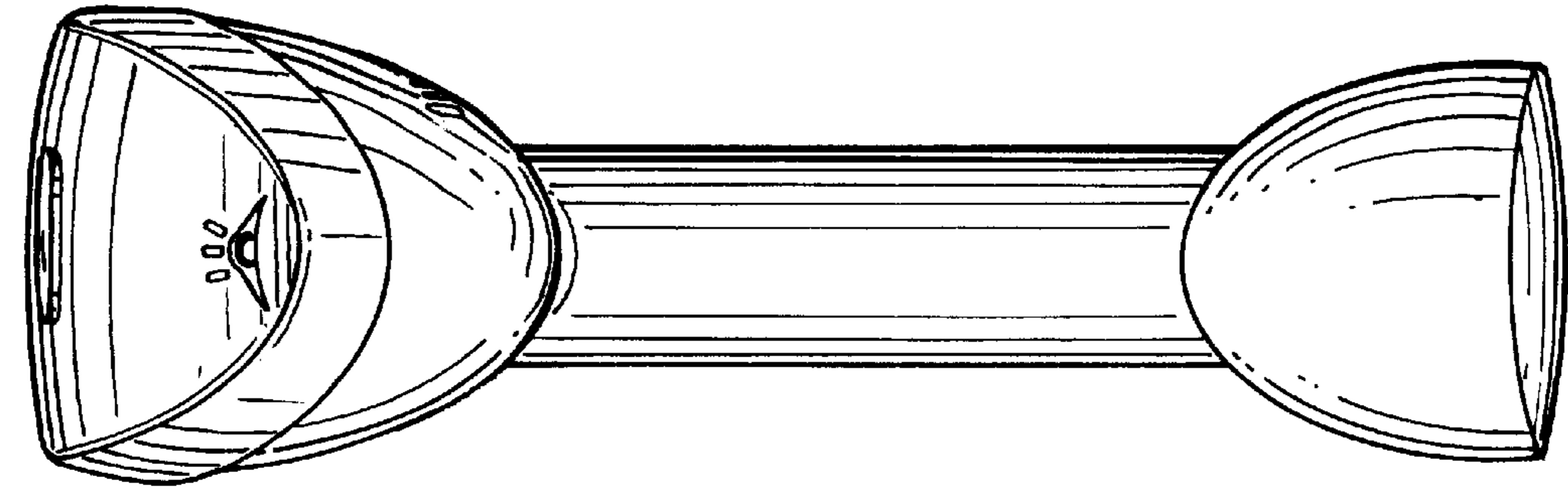


FIG. 4

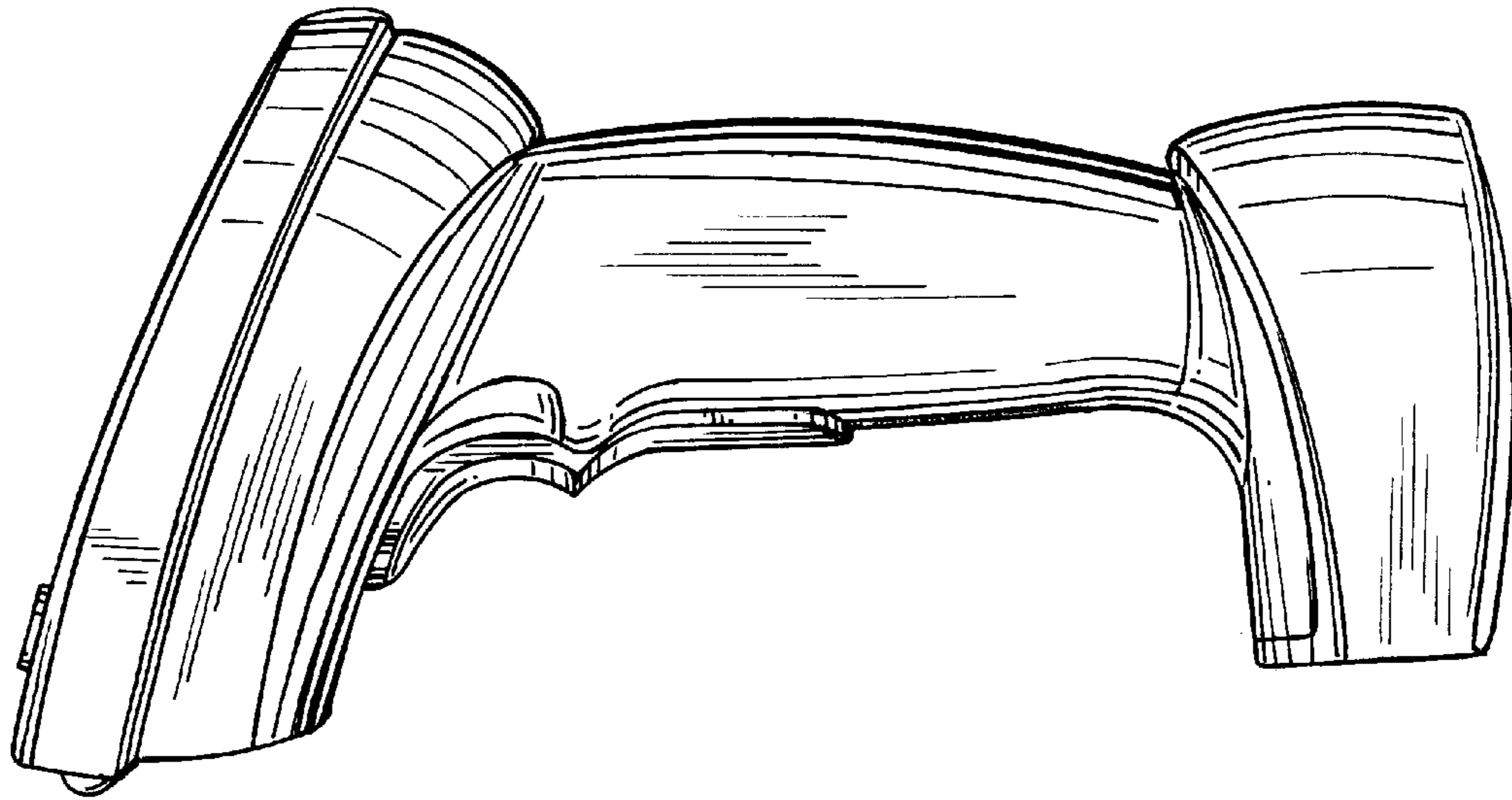


FIG. 5

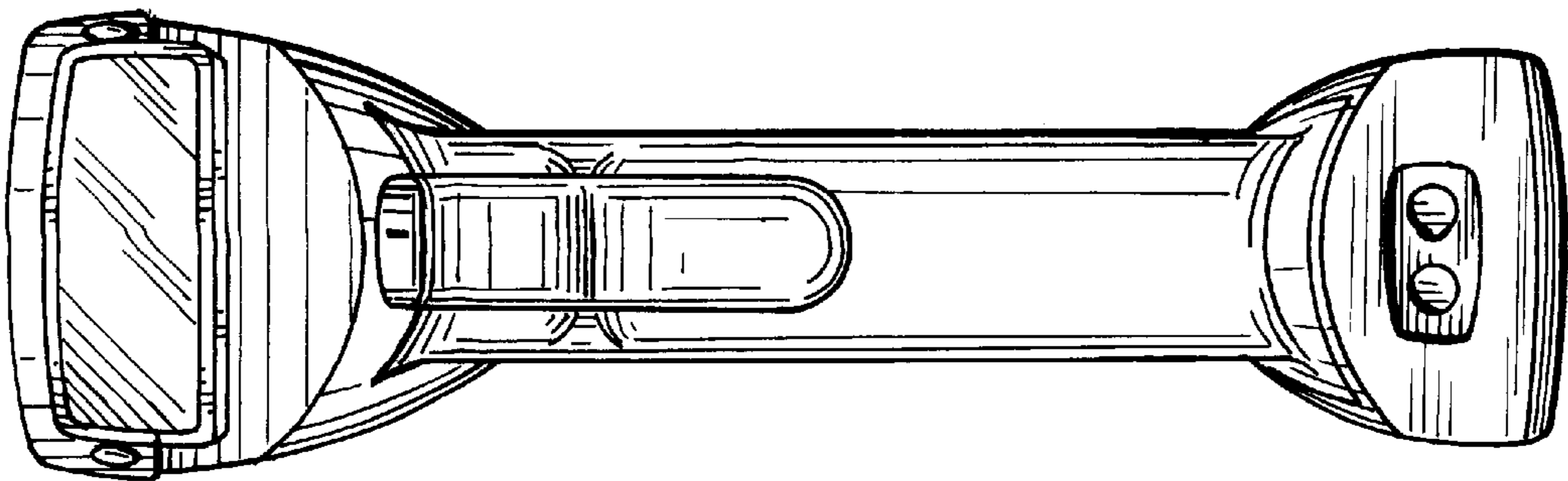


FIG. 6

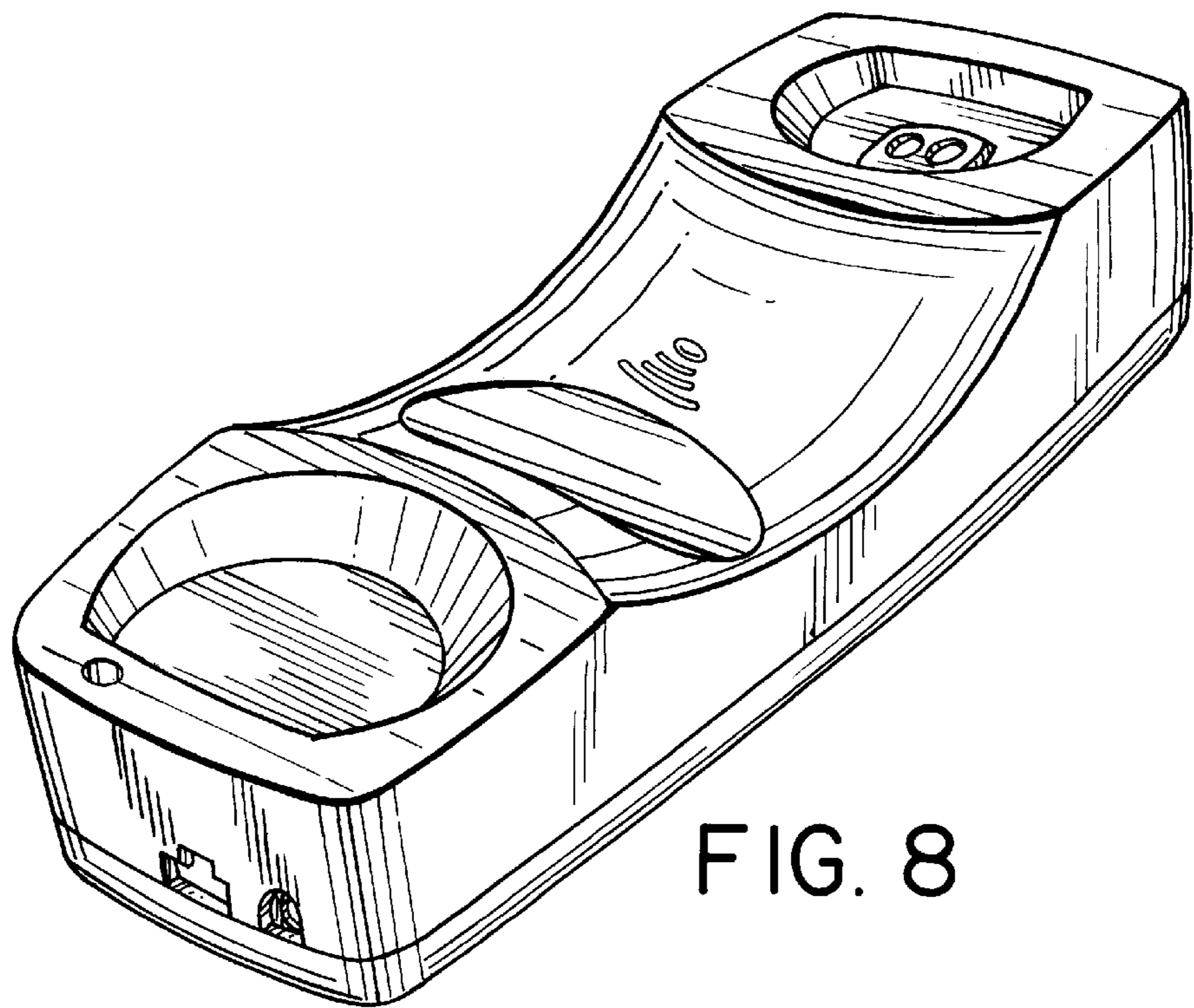


FIG. 8

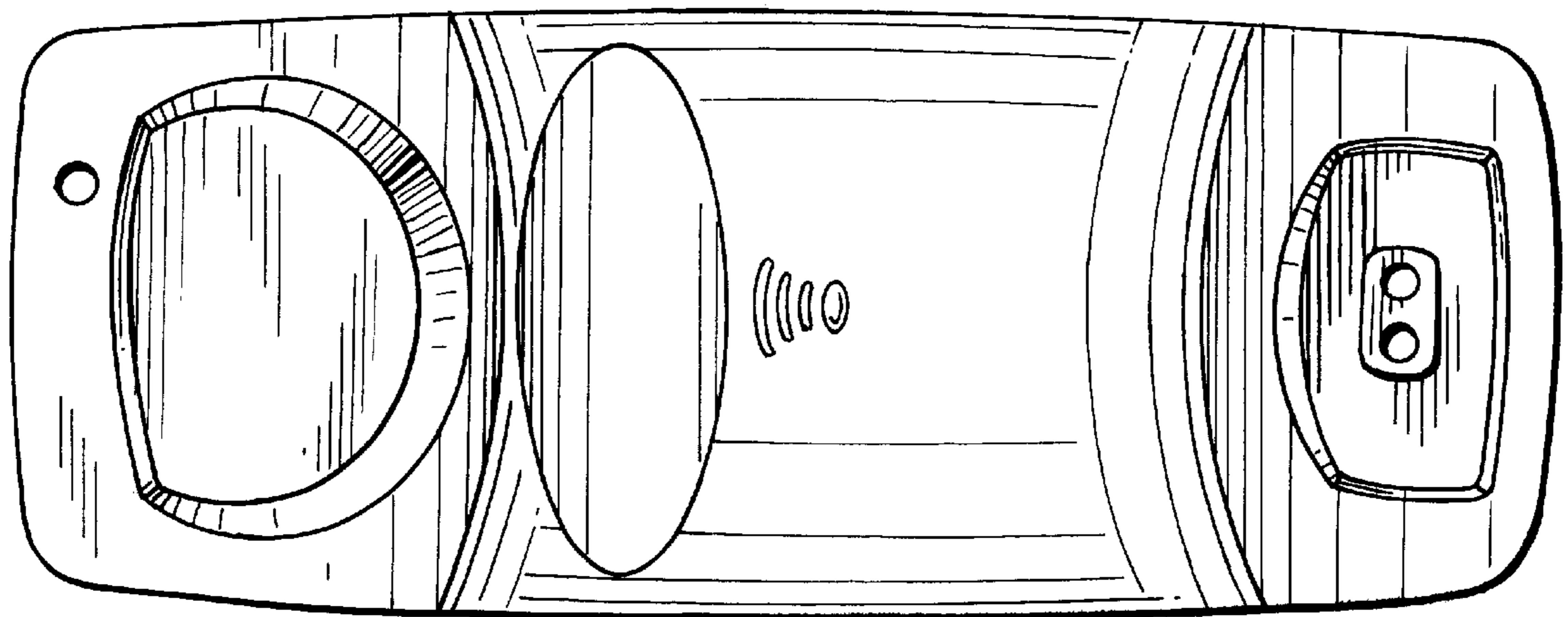


FIG. 9

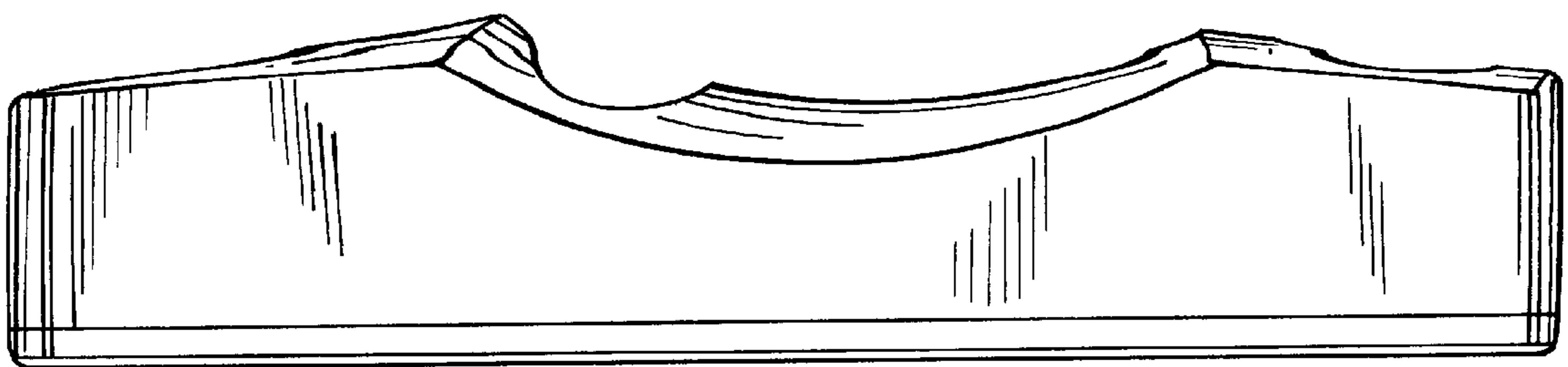


FIG. 10

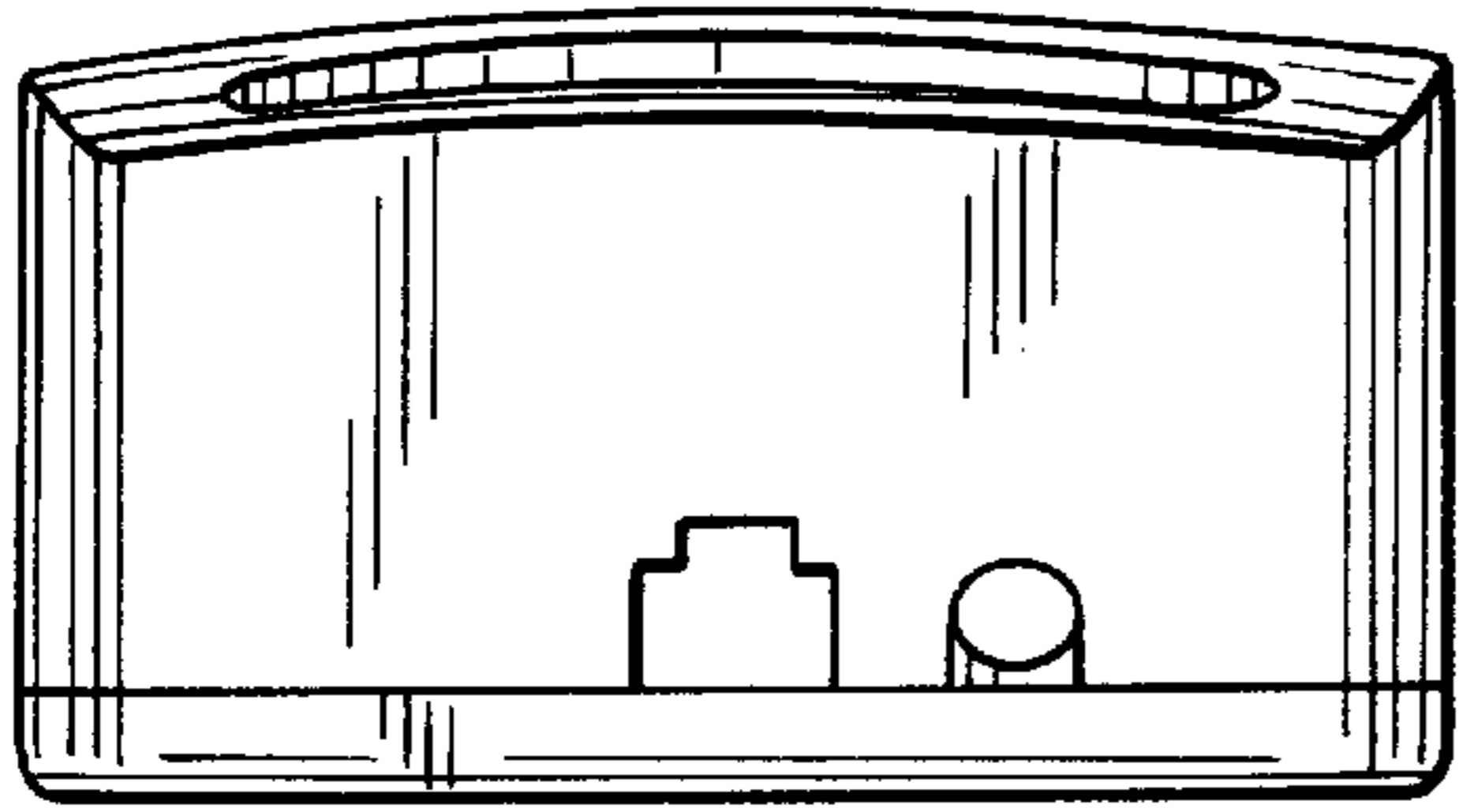


FIG. 11

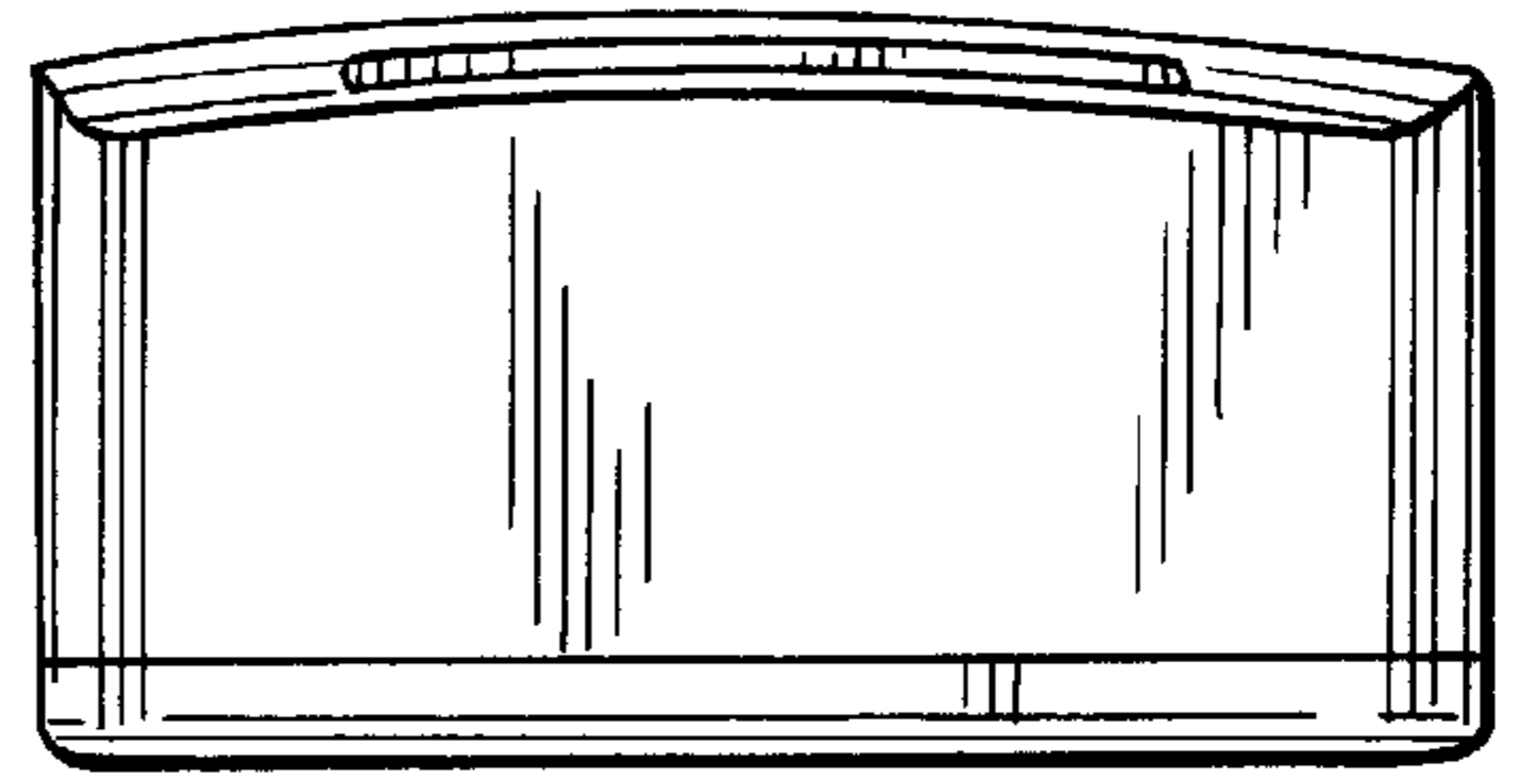


FIG. 12

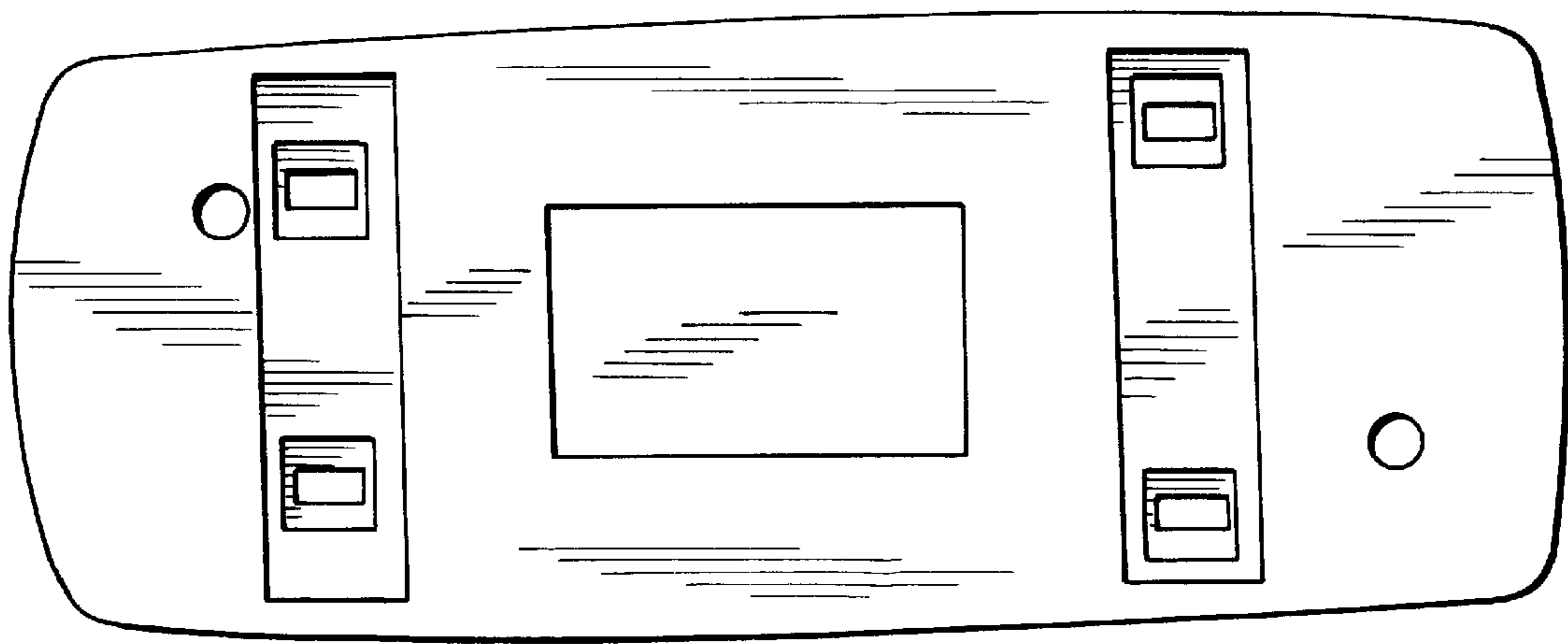


FIG. 13

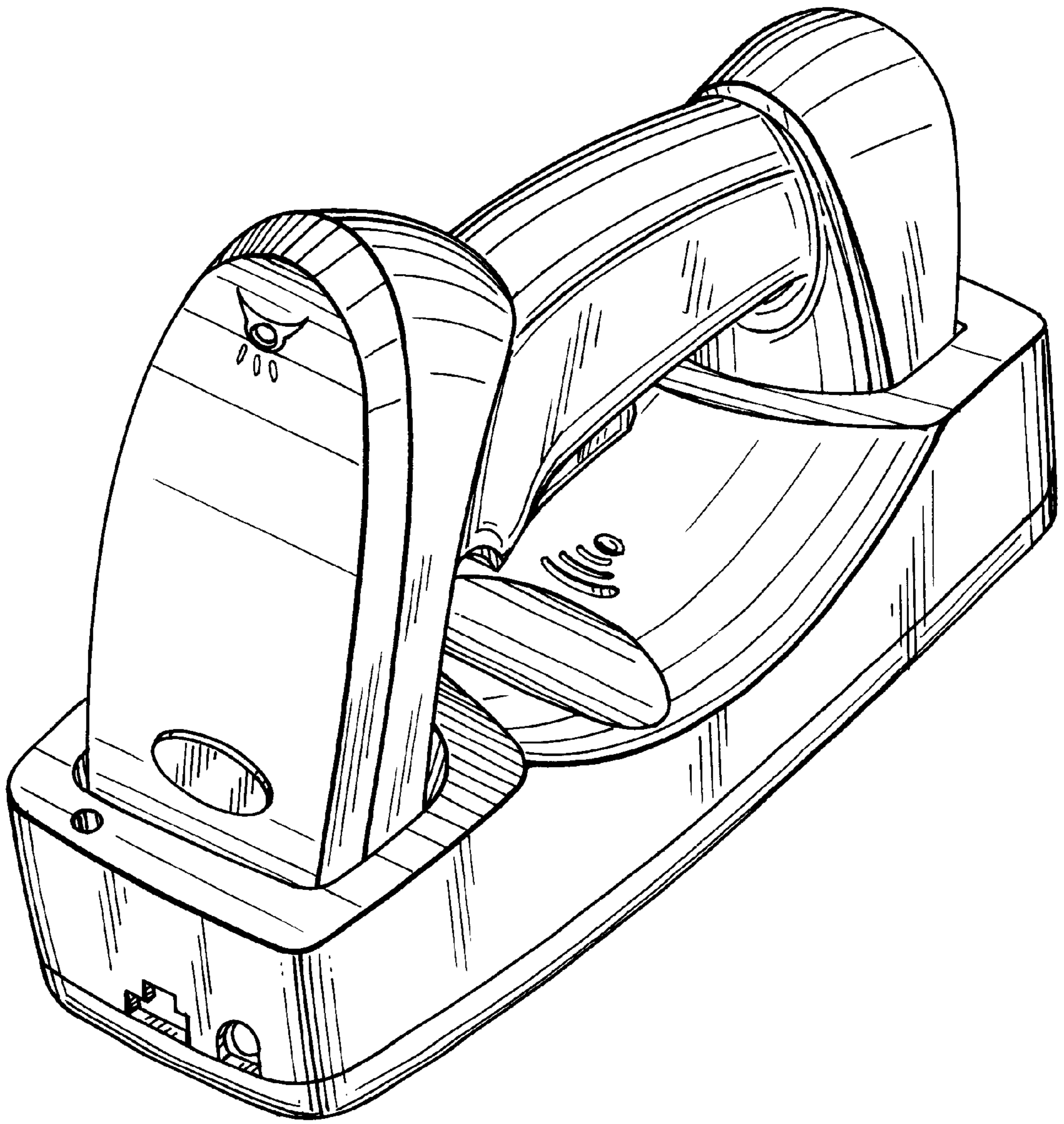


FIG. 14

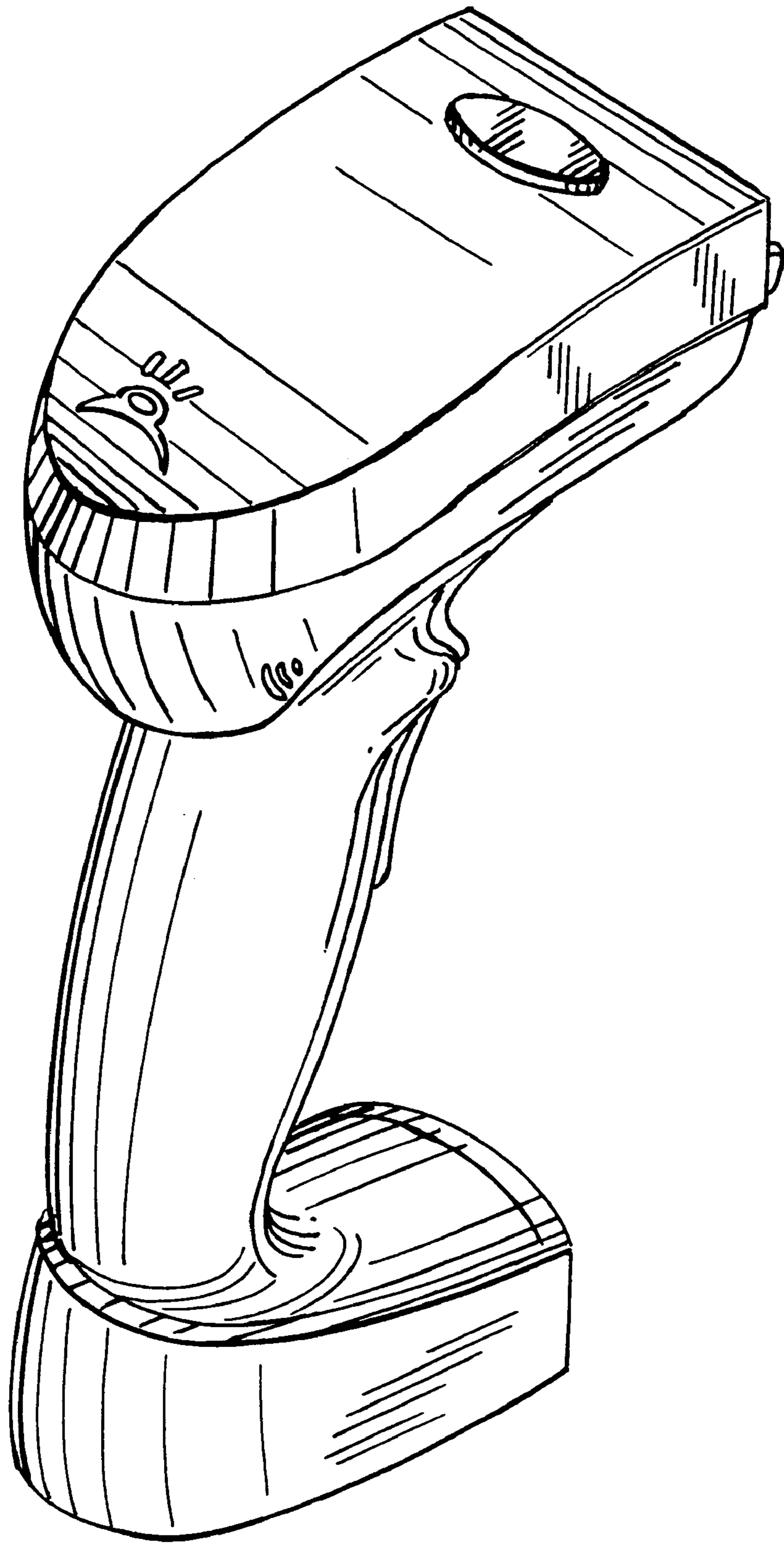


FIG. 15

FIG.16

