



US00D418494S

United States Patent [19]
Robb

[11] **Patent Number: Des. 418,494**
[45] **Date of Patent: ** Jan. 4, 2000**

[54] **FINGER TIP STYLUS**
[76] Inventor: **Karl A. Robb**, 4182 Lord Culpepper Dr., Fairfax, Va. 22030
[**] Term: **14 Years**
[21] Appl. No.: **29/107,480**
[22] Filed: **Jul. 1, 1999**
[51] **LOC (7) Cl.** **14-02**
[52] **U.S. Cl.** **D14/114; D19/41; D19/55; D19/54**
[58] **Field of Search** D14/114, 116; D19/35, 36, 41-51, 53-58, 81-85; 401/6, 7, 8, 209; 345/158, 156, 179-183; 178/19.01-19.07

5,529,415 6/1996 Bishop 401/7
5,885,018 3/1999 Sato 401/8

OTHER PUBLICATIONS

iGo catalog Solutions for People on the Go 1999 "Keep your stylus at your fingertip", p. 8.
Concept Kitchen <http://www2.conceptkitchen.com/products/fts/fts.taf> May 1998 "The New Fingertip Stylus from Concept Kitchen".
Concept Kitchen <http://www2.conceptkitchen.com/press/pr/981111.shtml> Dec. 1998 "Concept Kitchen to Unveil New Handheld Stylus Alternative At COMDEX".

Primary Examiner—Martie K. Holtje
Attorney, Agent, or Firm—Roberts Abokhair & Mardula, LLC

[56] **References Cited**

U.S. PATENT DOCUMENTS

D. 217,745	6/1970	Silson	401/8 X
D. 246,904	1/1978	MacIntosh	D19/41
D. 253,416	11/1979	MacIntosh	D19/41
372,903	11/1887	Forster	401/7
1,184,710	5/1916	Baumann .	
1,444,982	8/1923	Orth .	
3,505,700	4/1970	Rodriguez	401/8 X
3,927,595	12/1975	Ferguson	84/322
4,127,338	11/1978	Laybourne	401/8
5,323,677	6/1994	Knutson	84/322
5,453,759	9/1995	Seebach	345/158

[57] **CLAIM**

The ornamental design for a finger tip stylus, as shown.

DESCRIPTION

FIG. 1 is a perspective view of a finger tip stylus showing my new design;
FIG. 2 is an elevation view thereof;
FIG. 3 is a front elevation view thereof;
FIG. 4 is a rear elevation view thereof;
FIG. 5 is a top plan view thereof; and,
FIG. 6 is a bottom plan view thereof.

1 Claim, 2 Drawing Sheets

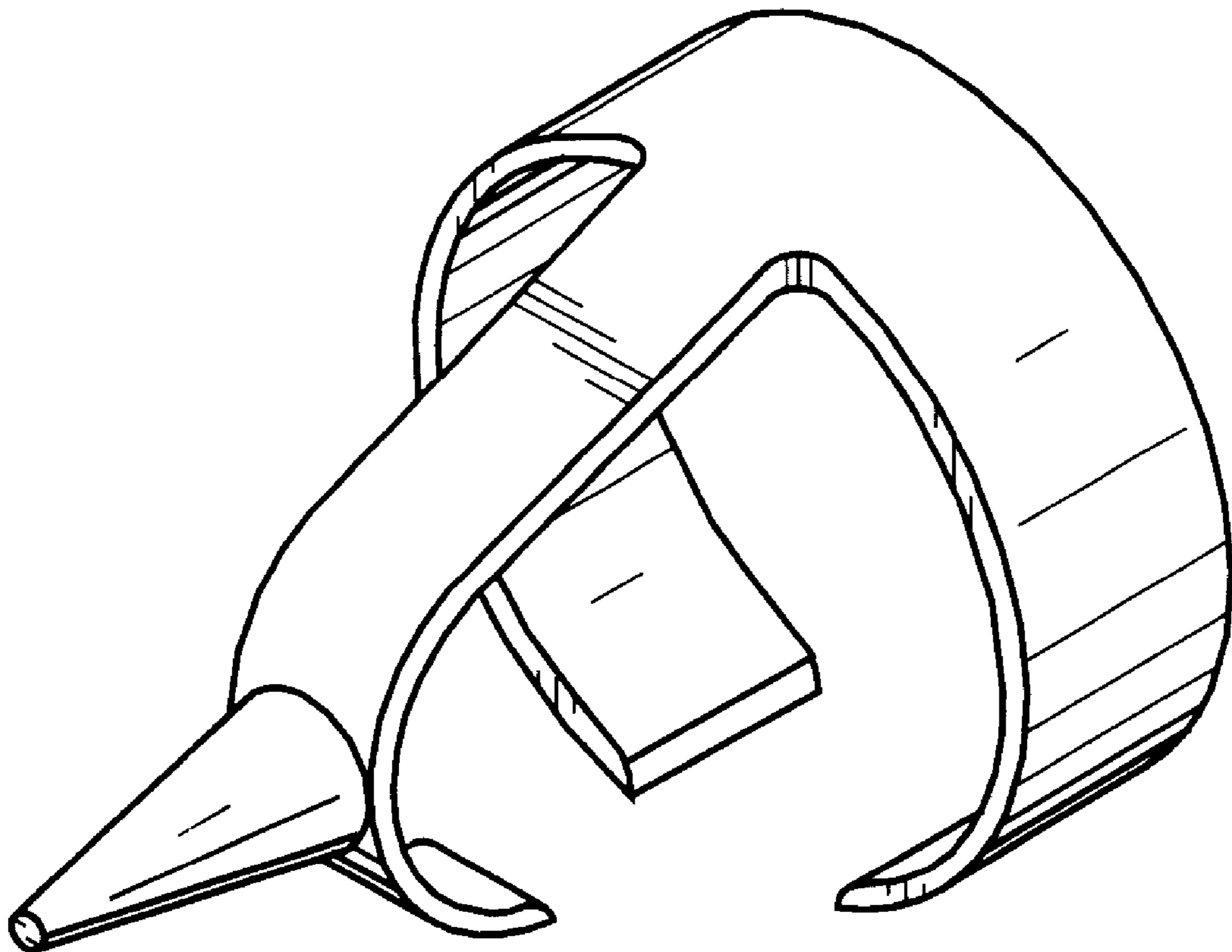
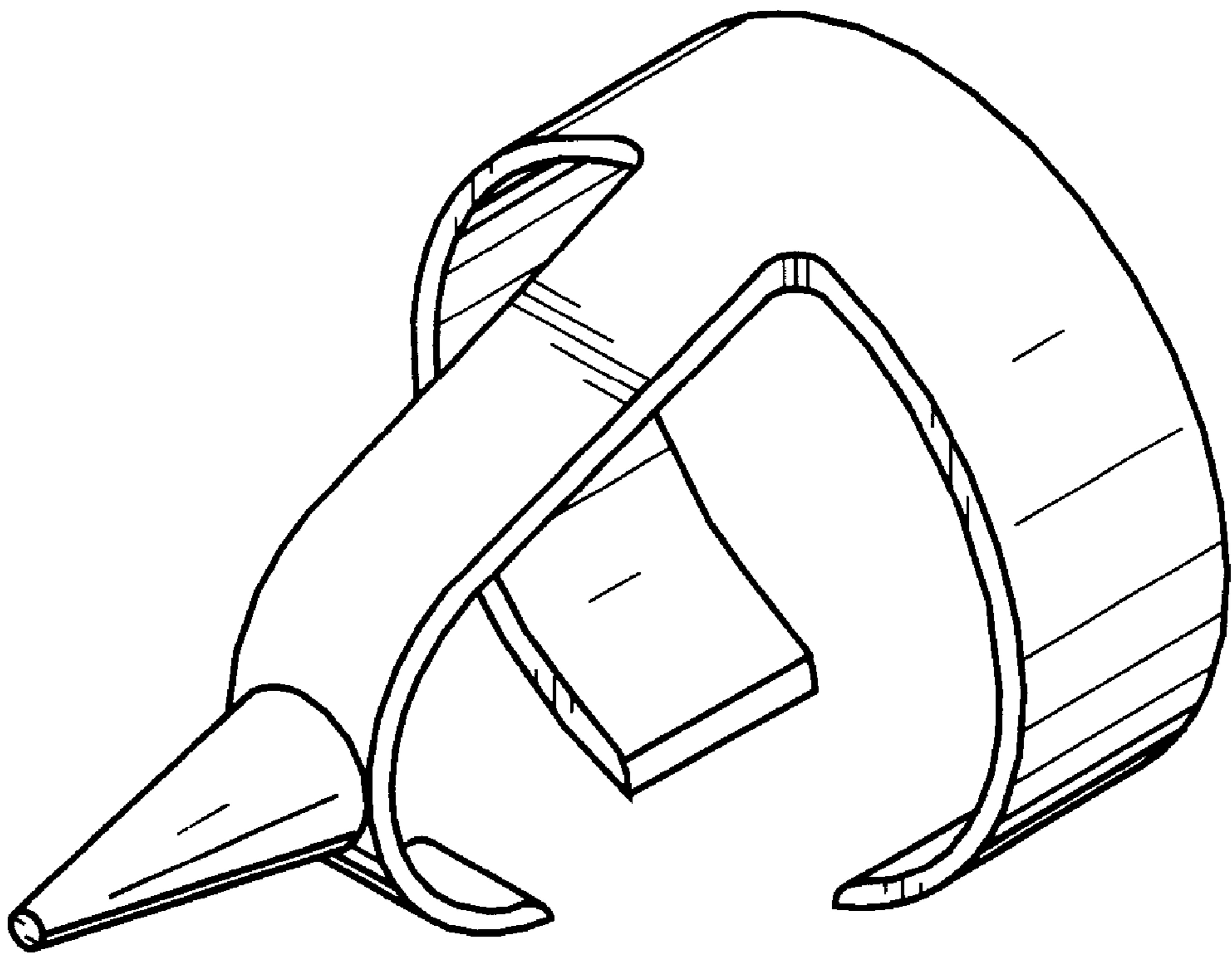


FIG. 1



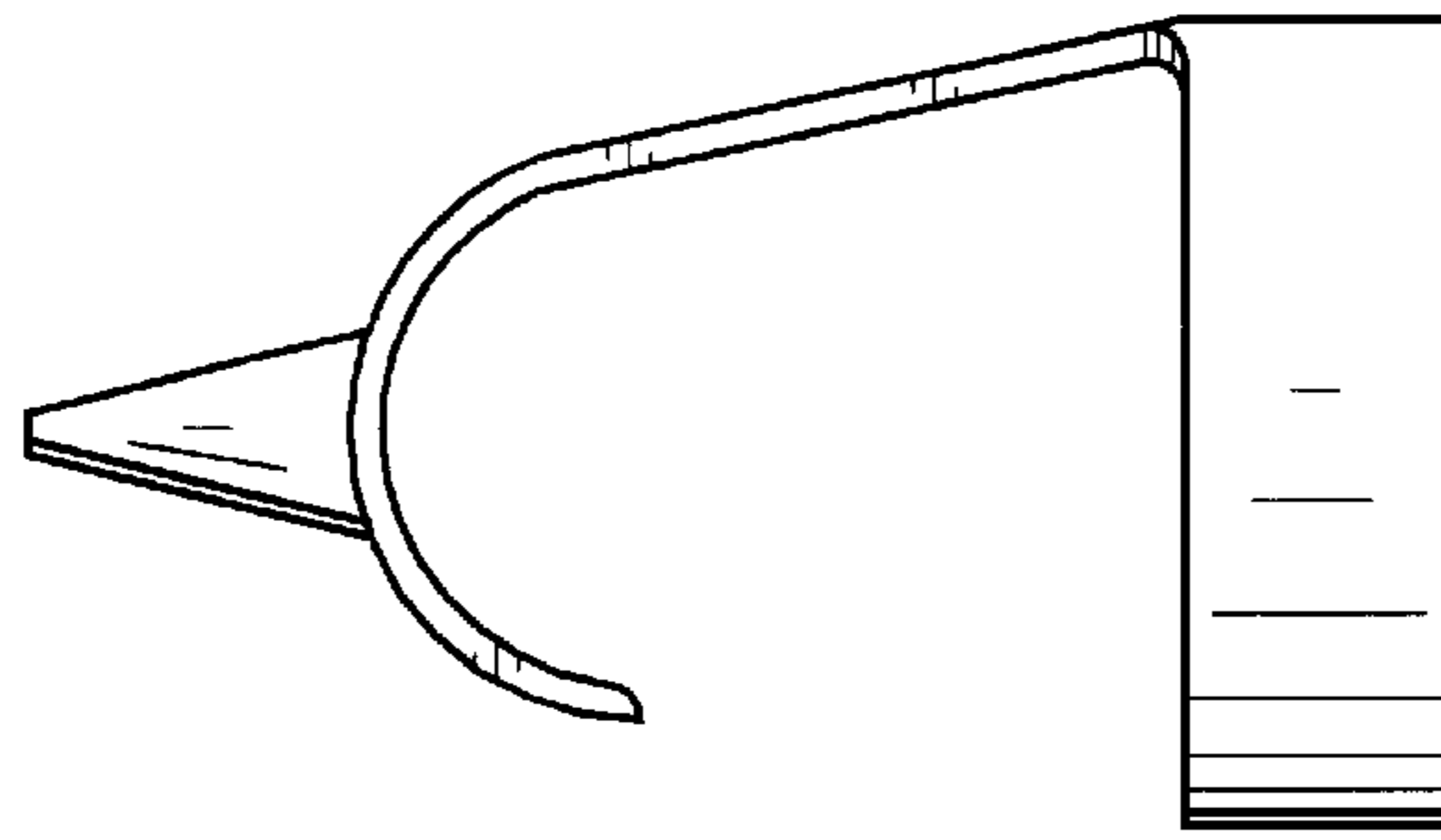


FIG. 2

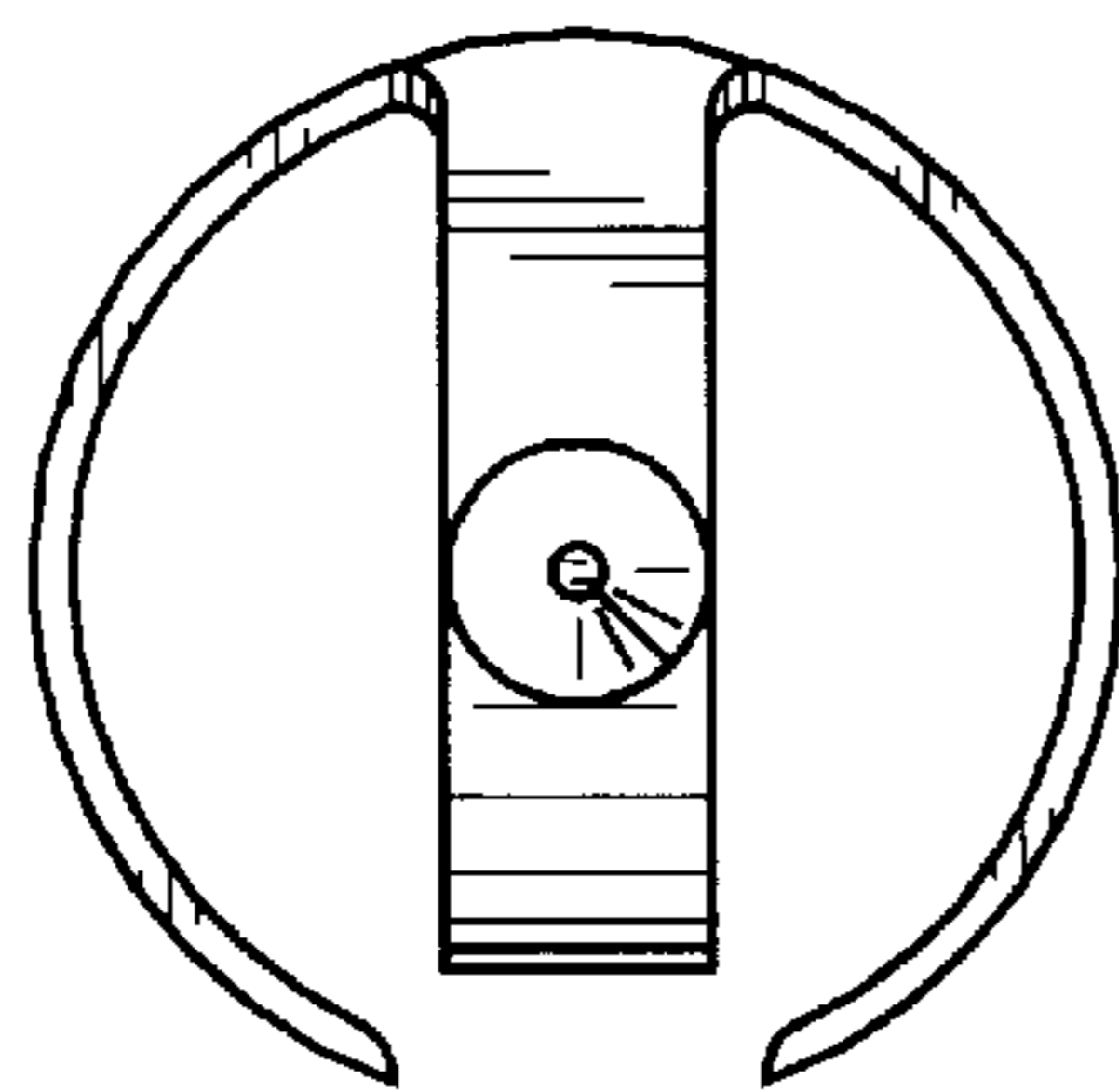


FIG. 3

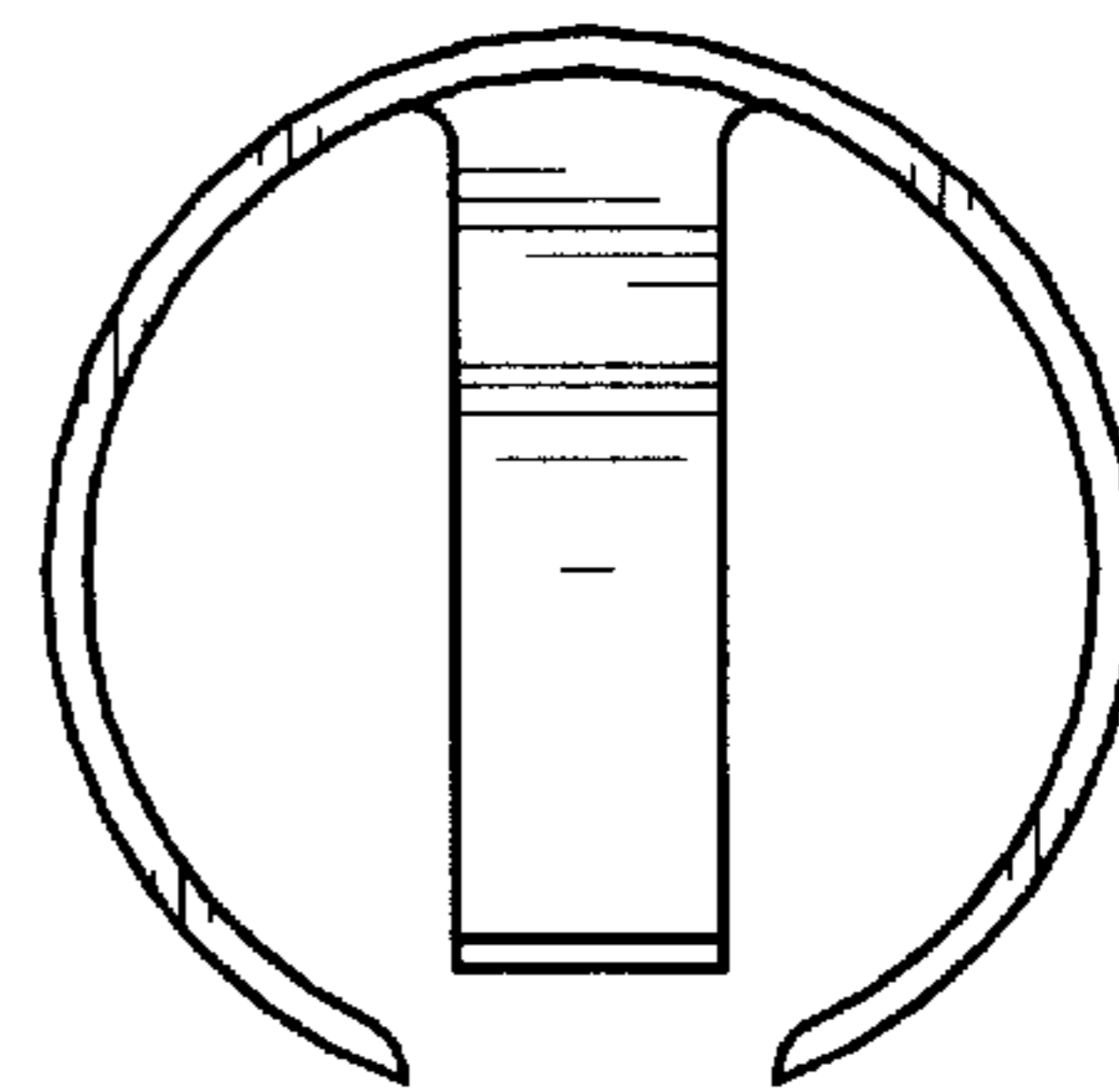


FIG. 4

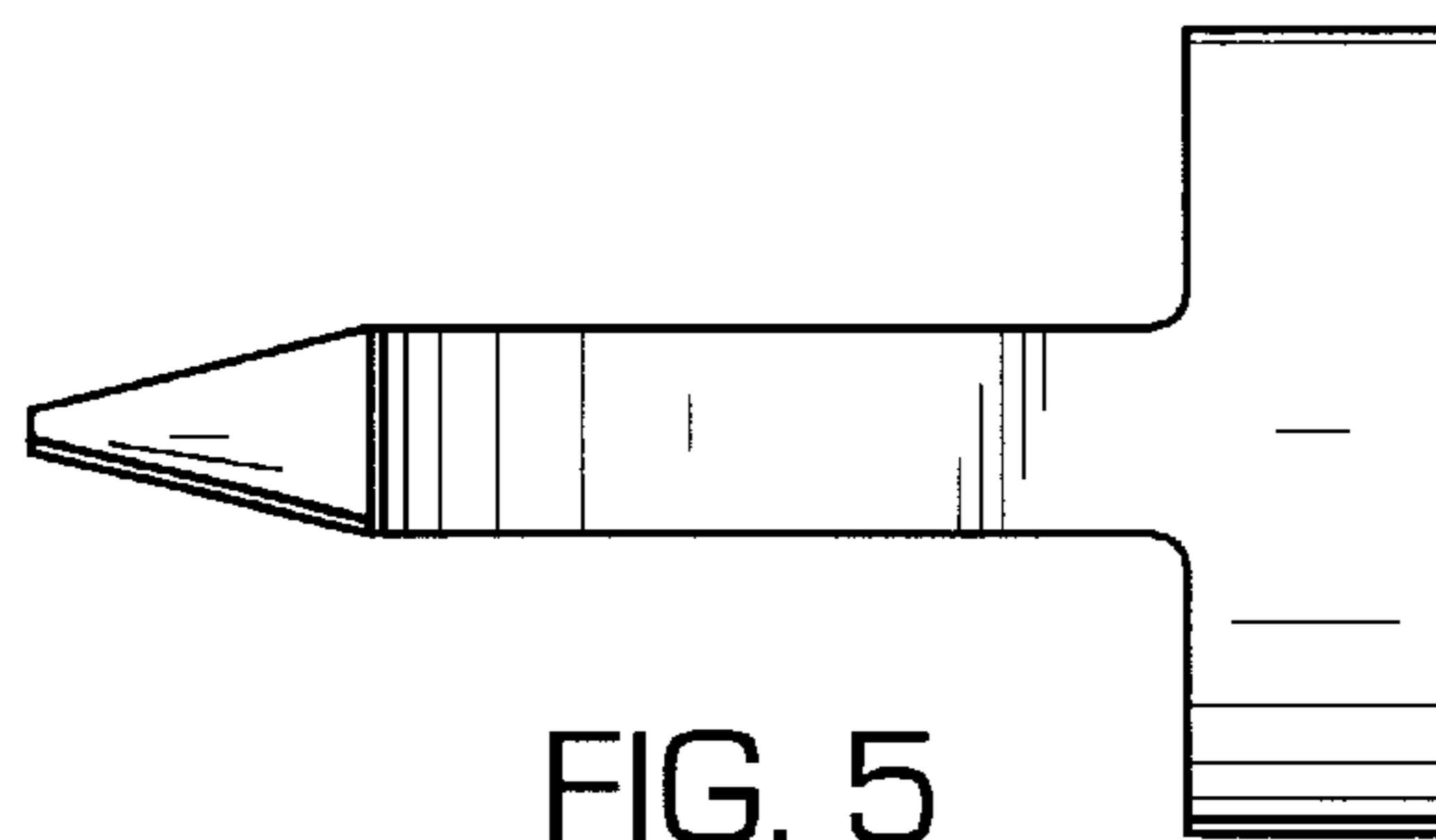


FIG. 5

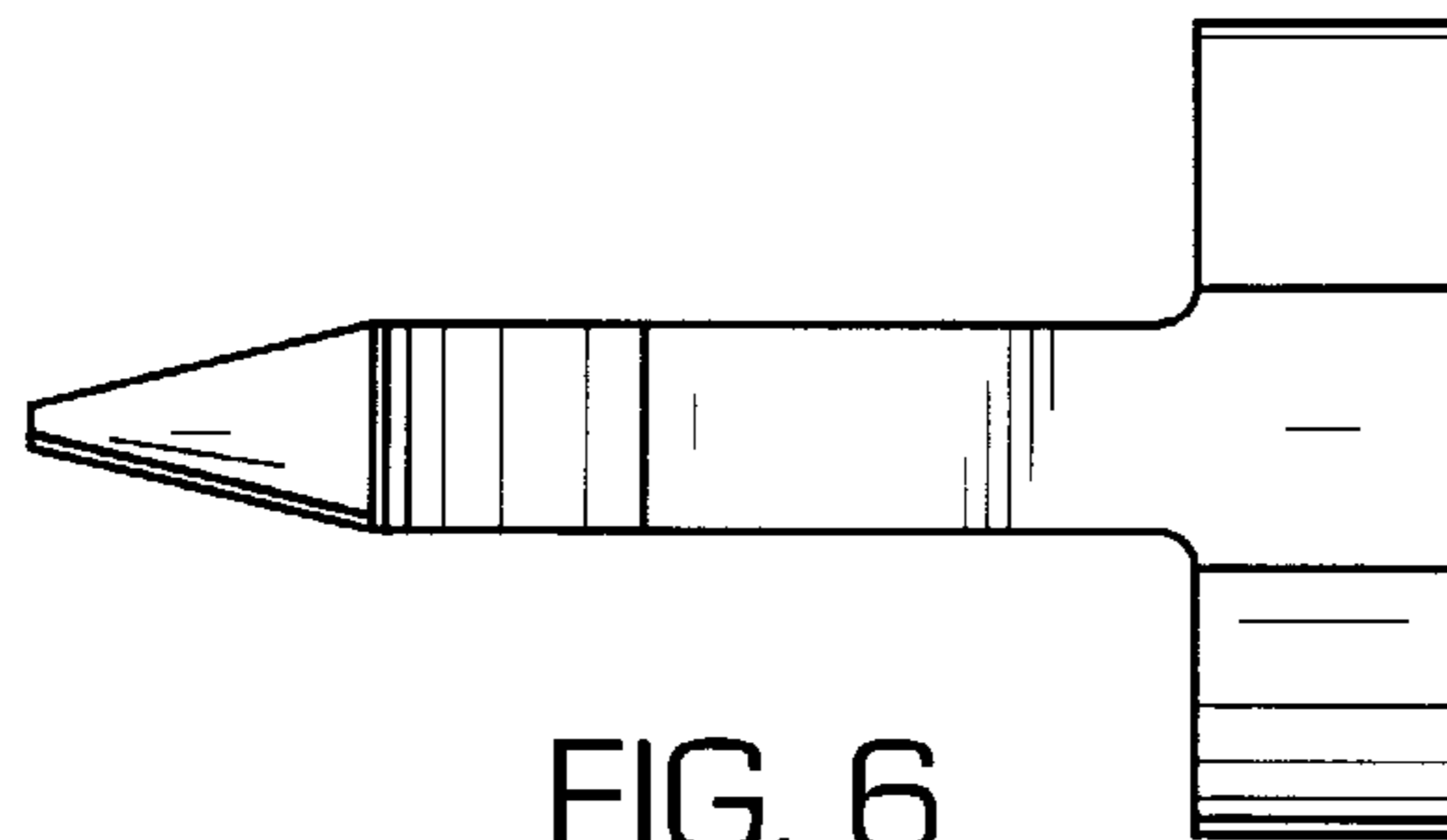


FIG. 6