



US00D418493S

# United States Patent [19]

Jobs et al.

[11] Patent Number: **Des. 418,493**

[45] Date of Patent: **\*\* Jan. 4, 2000**

[54] **CATHODE RAY TUBE DISPLAY AND STAND**

[75] Inventors: **Steven P. Jobs**, Palo Alto; **Bartley K. Andre**, Menlo Park; **Daniel J. Coster**, San Francisco; **Daniele De Iuliis**, San Francisco; **Richard P. Howarth**, San Francisco; **Jonathan P. Ive**, San Francisco; **Douglas B. Satzger**, San Carlos; **Calvin Q. Seid**, Palo Alto; **Christopher J. Stringer**, Pacifica, all of Calif.

[73] Assignee: **Apple Computer, Inc.**, Cupertino, Calif.

[\*\*] Term: **14 Years**

[21] Appl. No.: **29/097,997**

[22] Filed: **Dec. 18, 1998**

[51] **LOC (7) Cl.** ..... **14-02**

[52] **U.S. Cl.** ..... **D14/113; D14/126**

[58] **Field of Search** ..... D14/100, 101, D14/113, 106, 124-129; 341/12; 345/104, 133, 156, 168, 173; 348/180, 184, 325, 739; 349/1, 2, 11, 62; 248/917-924

[56] **References Cited**

**U.S. PATENT DOCUMENTS**

D. 278,809	5/1985	McLaughlin	.....	D14/113
D. 278,910	5/1985	Moriconi	.....	D14/113
D. 303,379	9/1989	Giannotti, Jr. et al.	.....	D14/113
D. 308,054	5/1990	Peart	.....	D14/113

D. 310,357	9/1990	Brefka et al.	.....	D14/113
D. 325,198	4/1992	Riley et al.	.....	D14/113
D. 326,647	6/1992	Riley et al.	.....	D14/106
D. 347,830	6/1994	Lundgren et al.	.....	D14/113
D. 350,946	9/1994	Stewart et al.	.....	D14/113
D. 356,303	3/1995	Riley et al.	.....	D14/113
D. 372,023	7/1996	Andre et al.	.....	D14/113
D. 373,120	8/1996	Andre et al.	.....	D14/113
D. 380,456	7/1997	Coster et al.	.....	D14/113

*Primary Examiner*—Freda Nunn  
*Attorney, Agent, or Firm*—Nancy R. Simon

[57] **CLAIM**

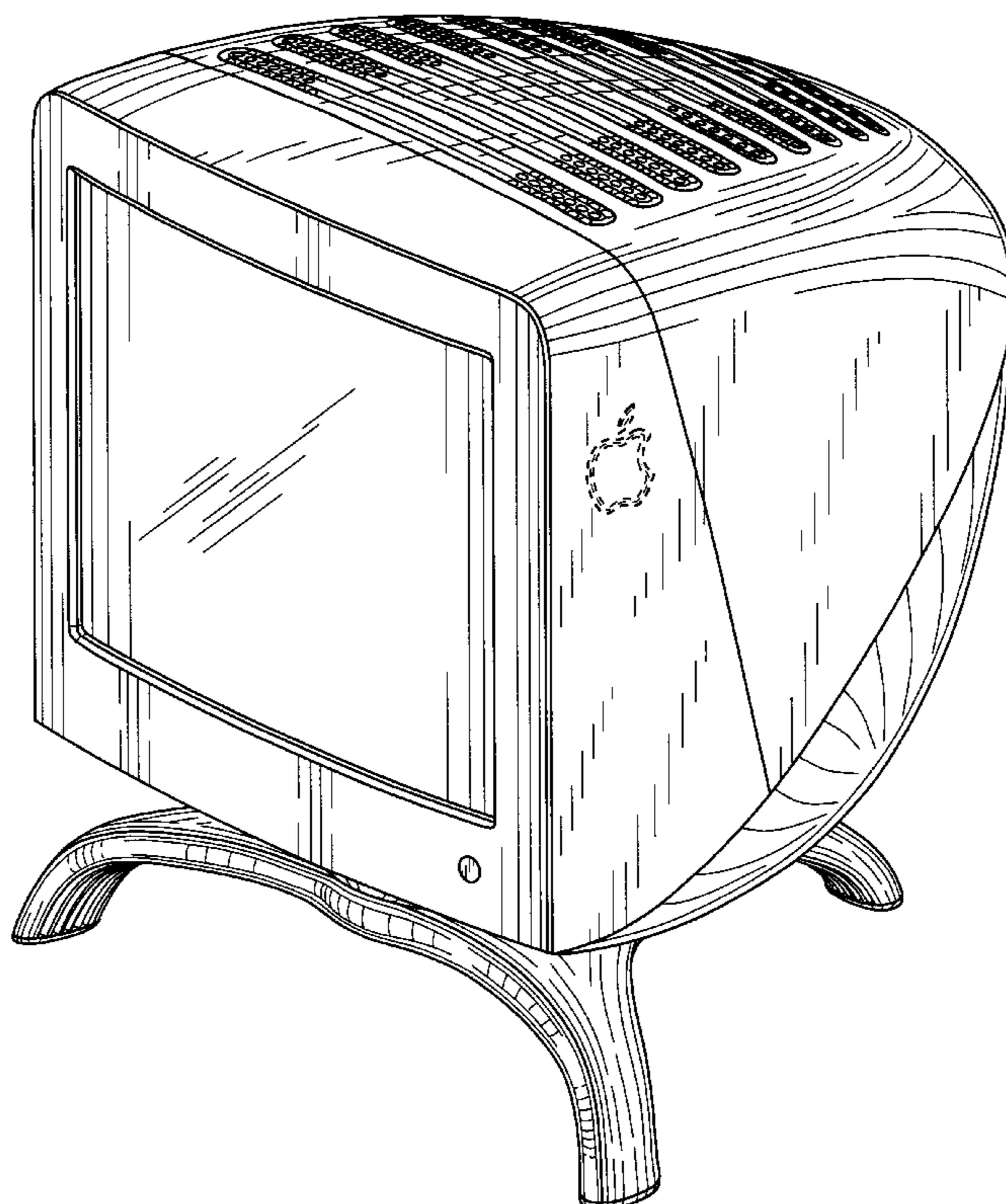
The ornamental design for a cathode ray tube display and stand, as shown and described.

**DESCRIPTION**

FIG. 1 is a front, top, right side perspective view of a cathode ray tube display and stand, showing our new design; FIG. 2 is a rear, top, left side perspective view thereof; FIG. 3 is a front view thereof; FIG. 4 is a rear view thereof; FIG. 5 is a right side view thereof; FIG. 6 is a left side view thereof; FIG. 7 is a top view thereof; FIG. 8 is a bottom view thereof; and, FIG. 9 is a front, top, right side perspective view thereof showing the stand attached.

The Apple logo is shown in broken lines in FIGS. 1, 2, 4, 5, 6, and 9 for illustrative purposes only and forms no part of the claimed design.

**1 Claim, 9 Drawing Sheets**



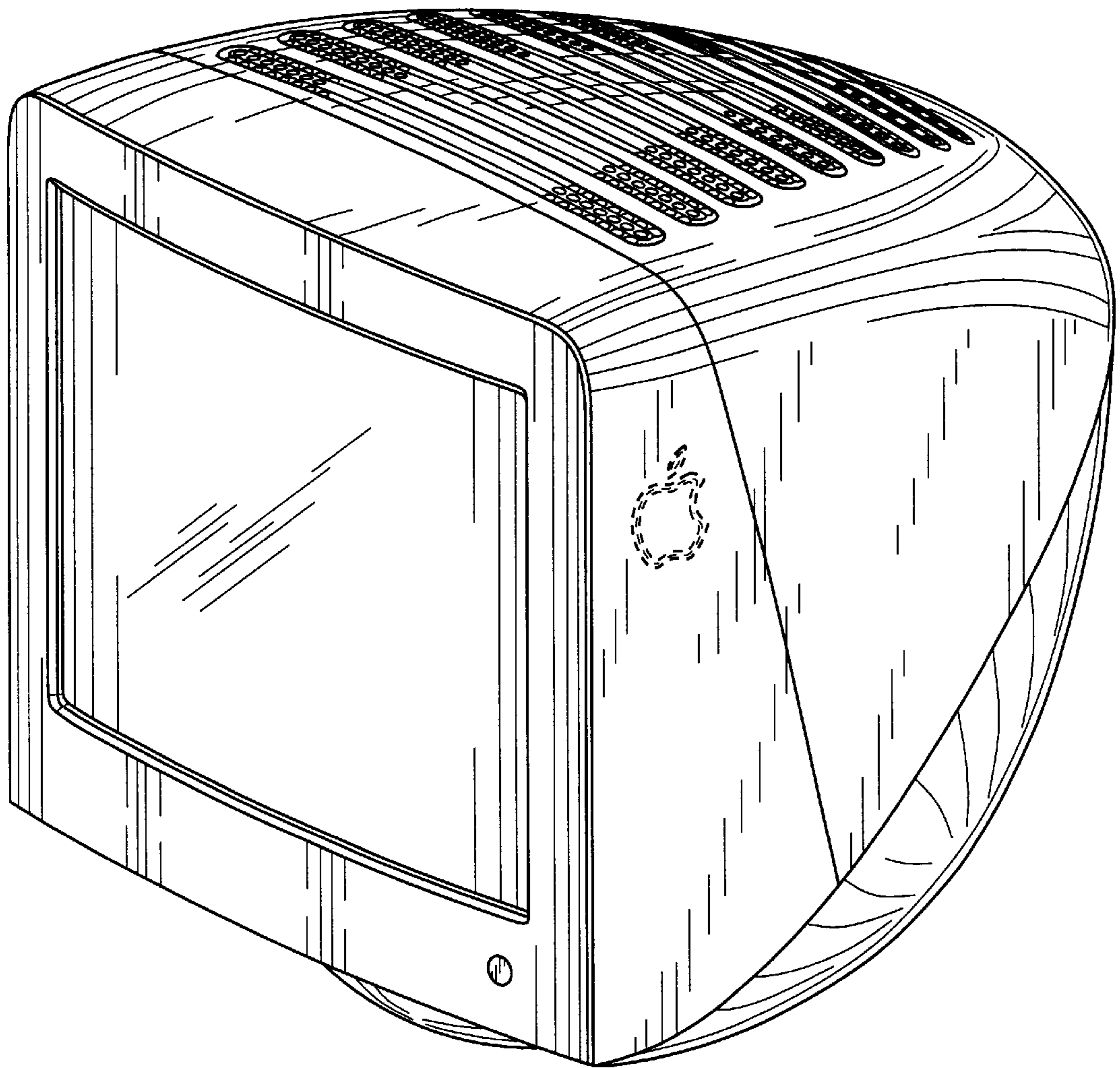


FIG. 1

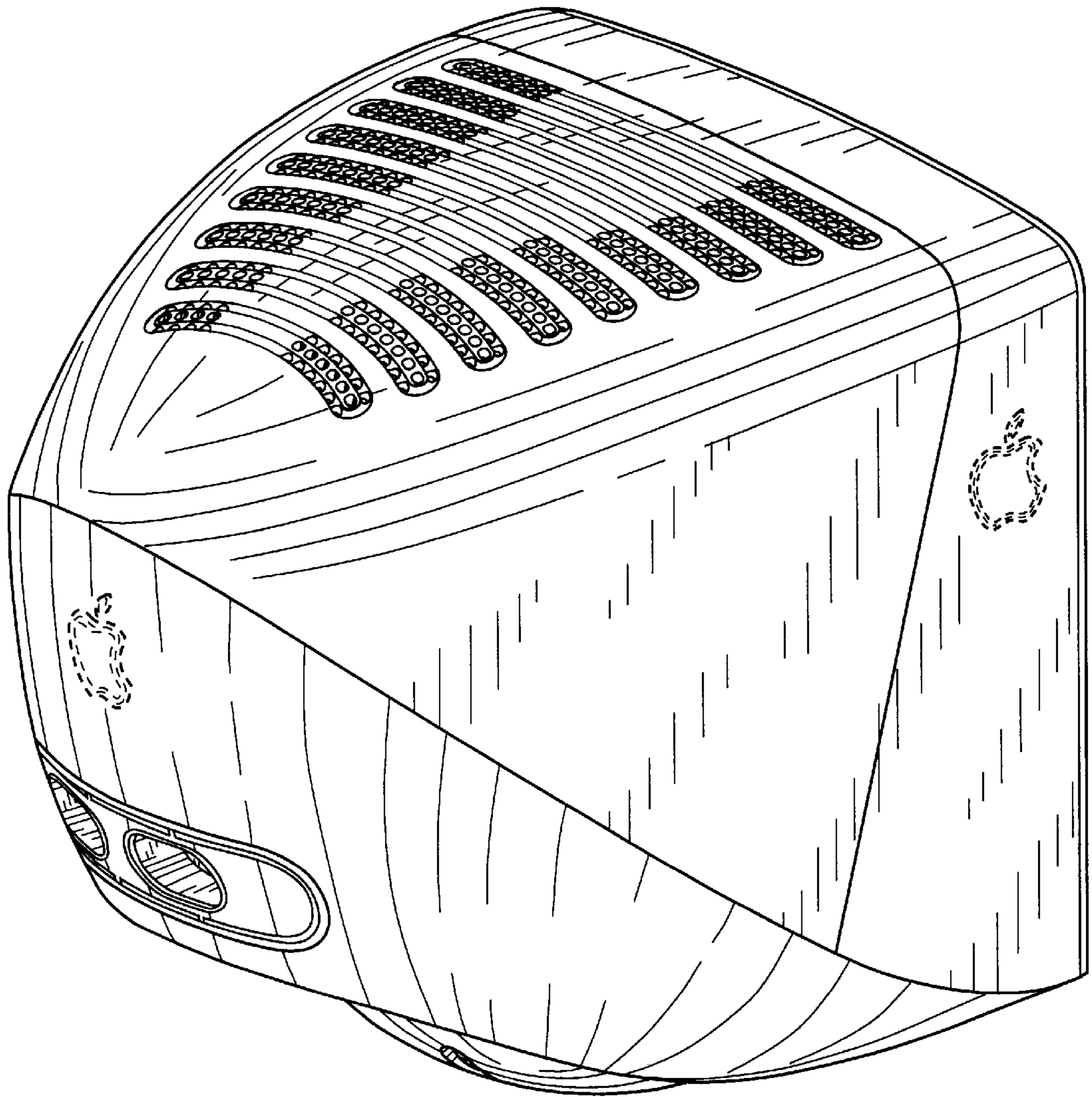


FIG. 2

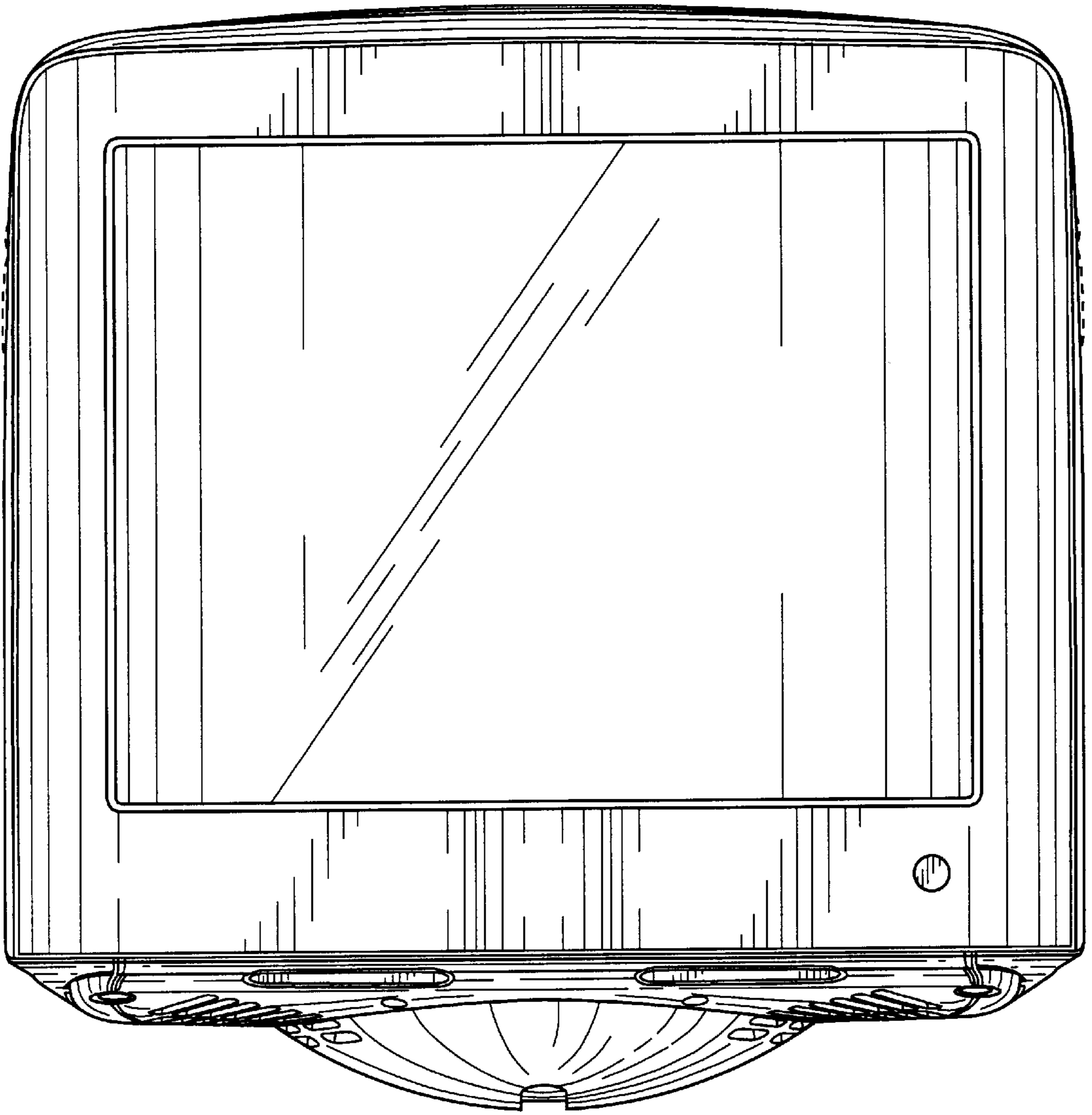


FIG. 3

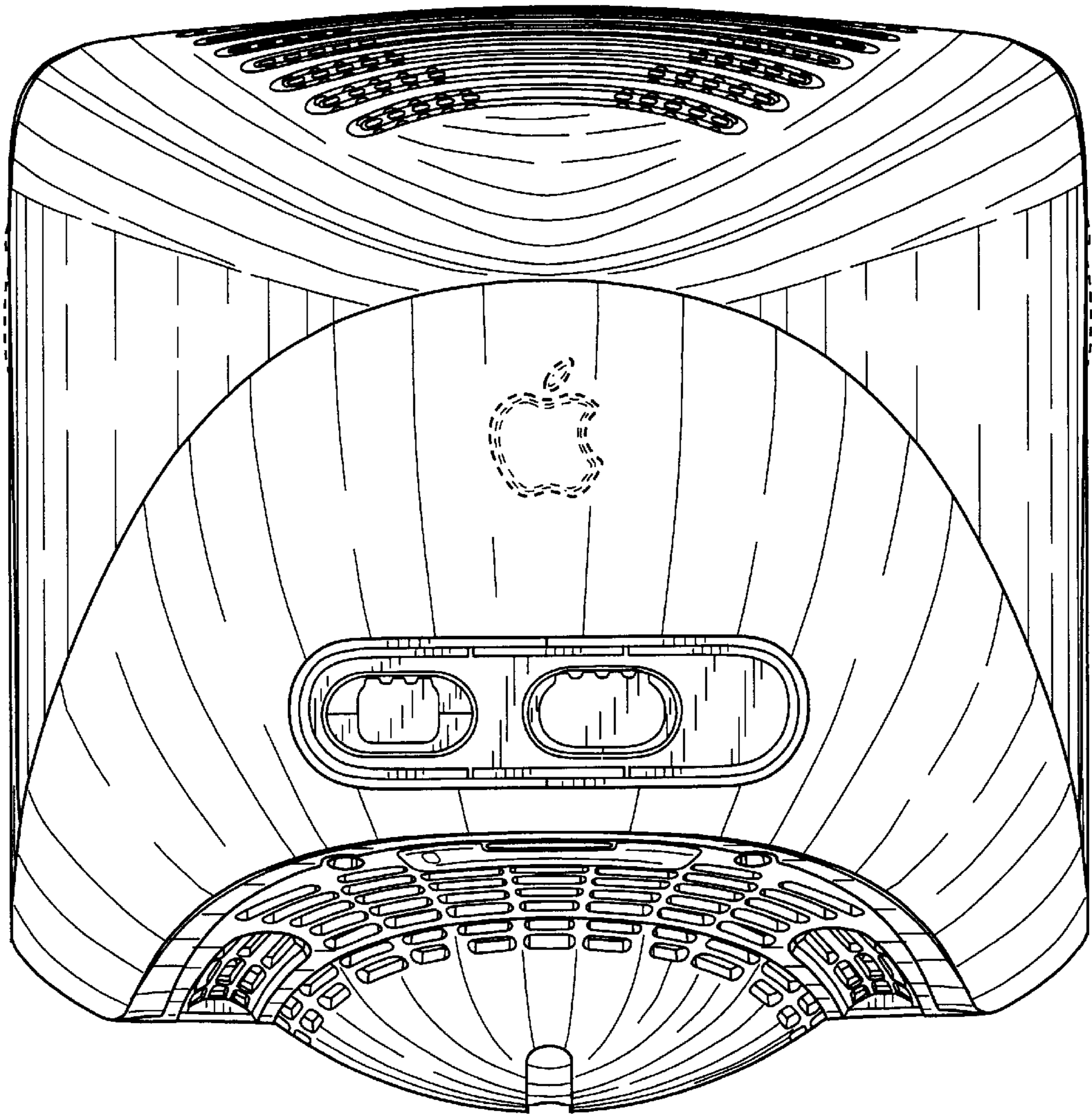


FIG. 4

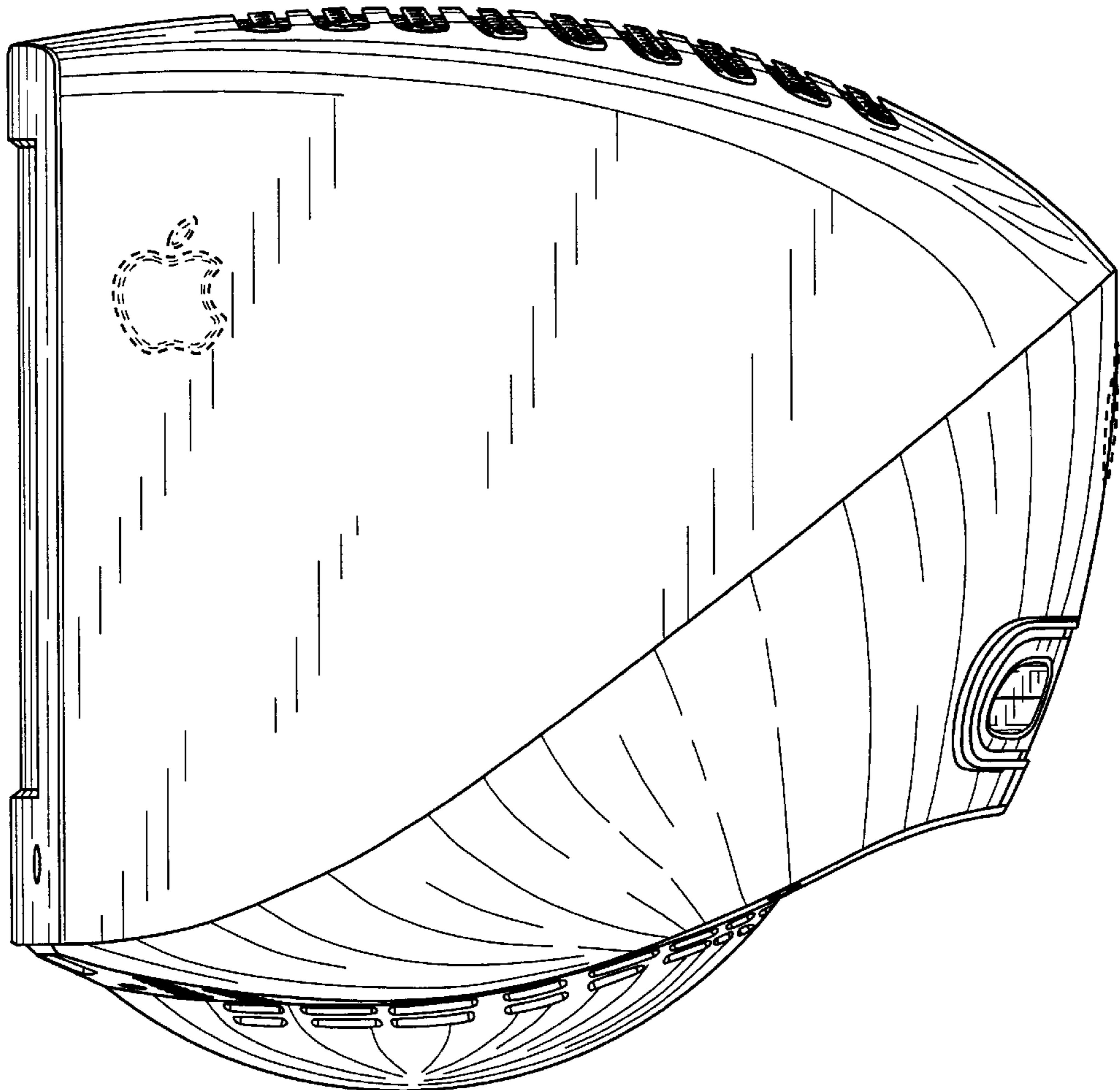


FIG. 5

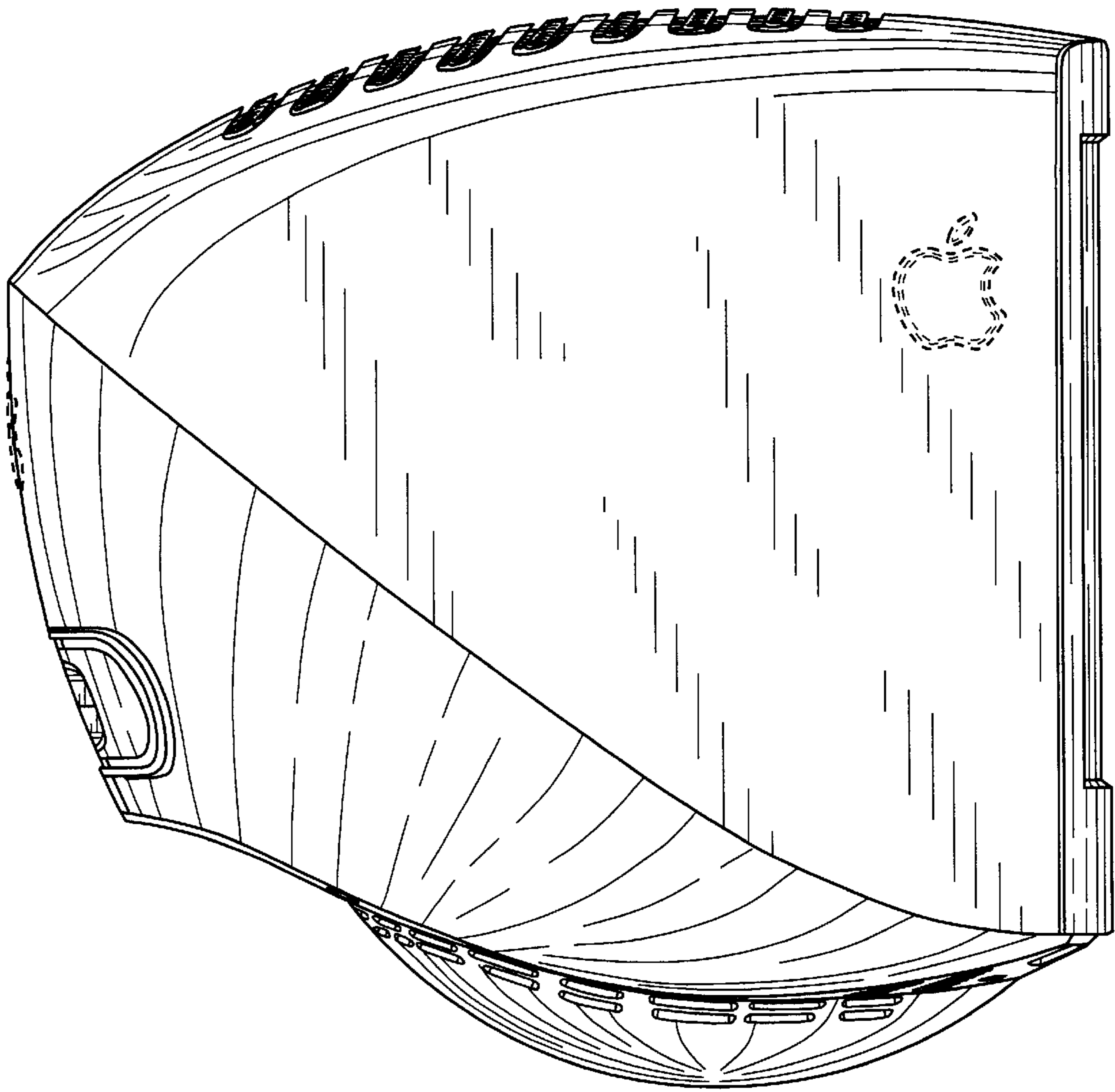


FIG. 6

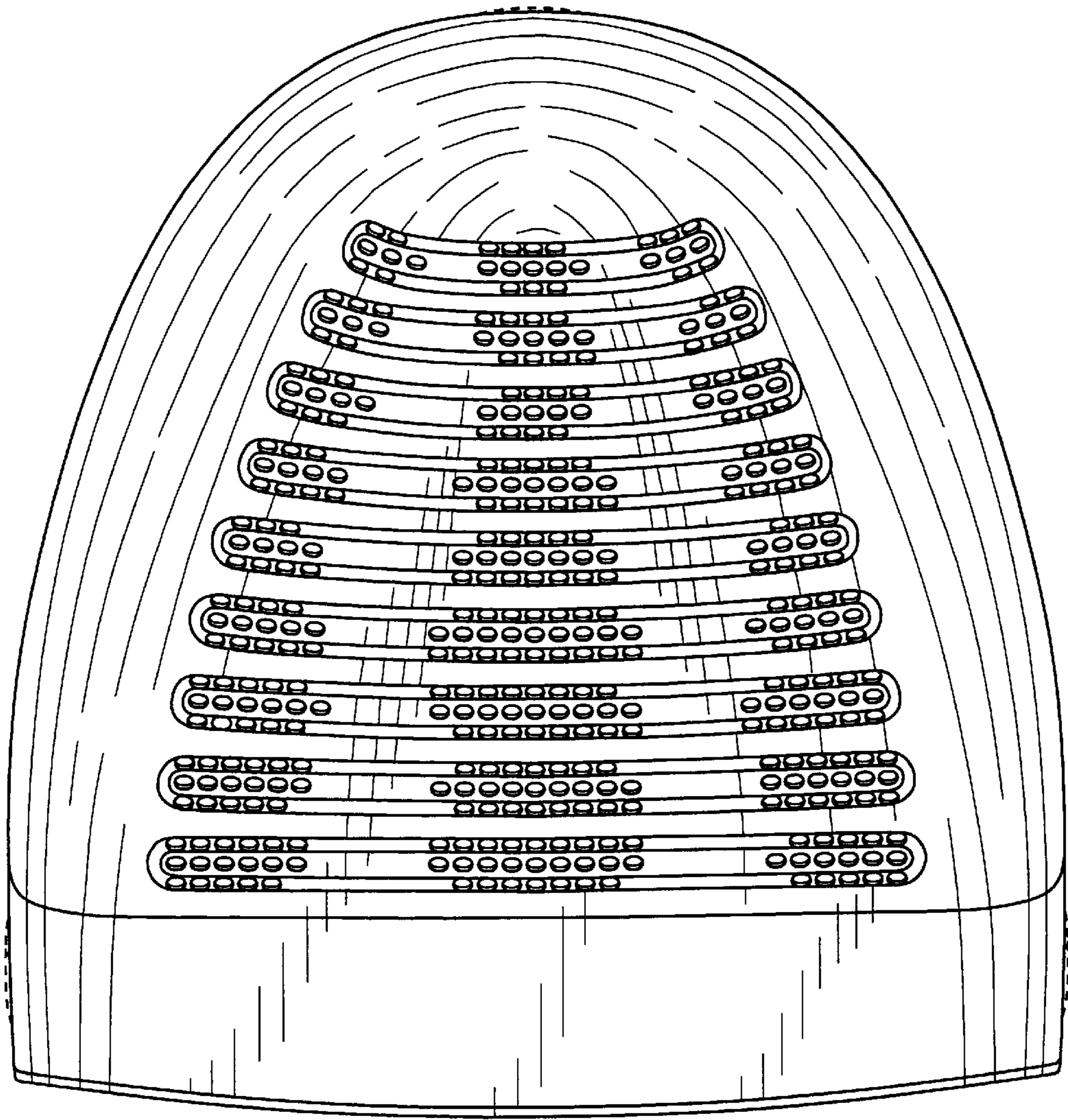


FIG. 7



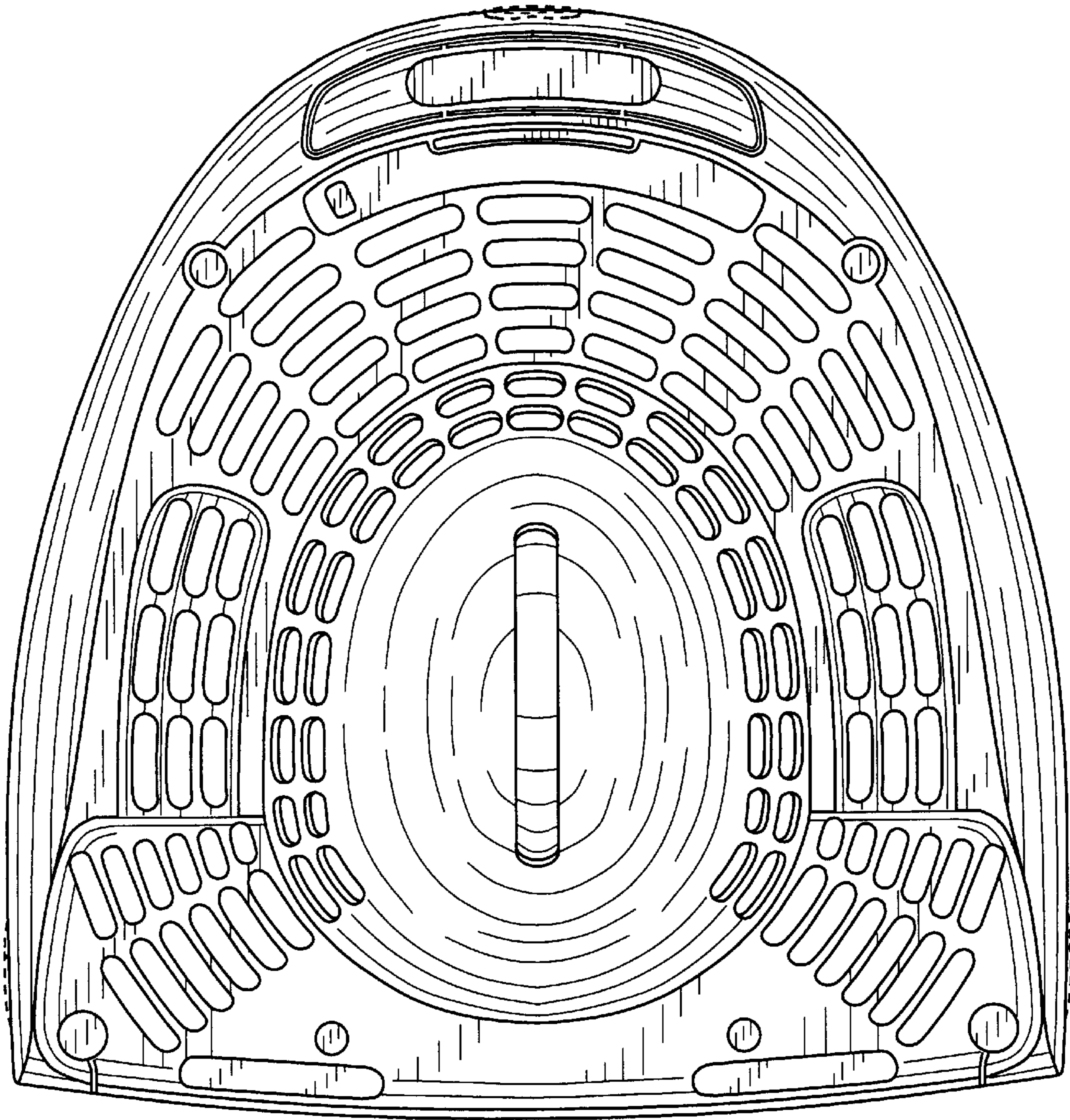


FIG. 8

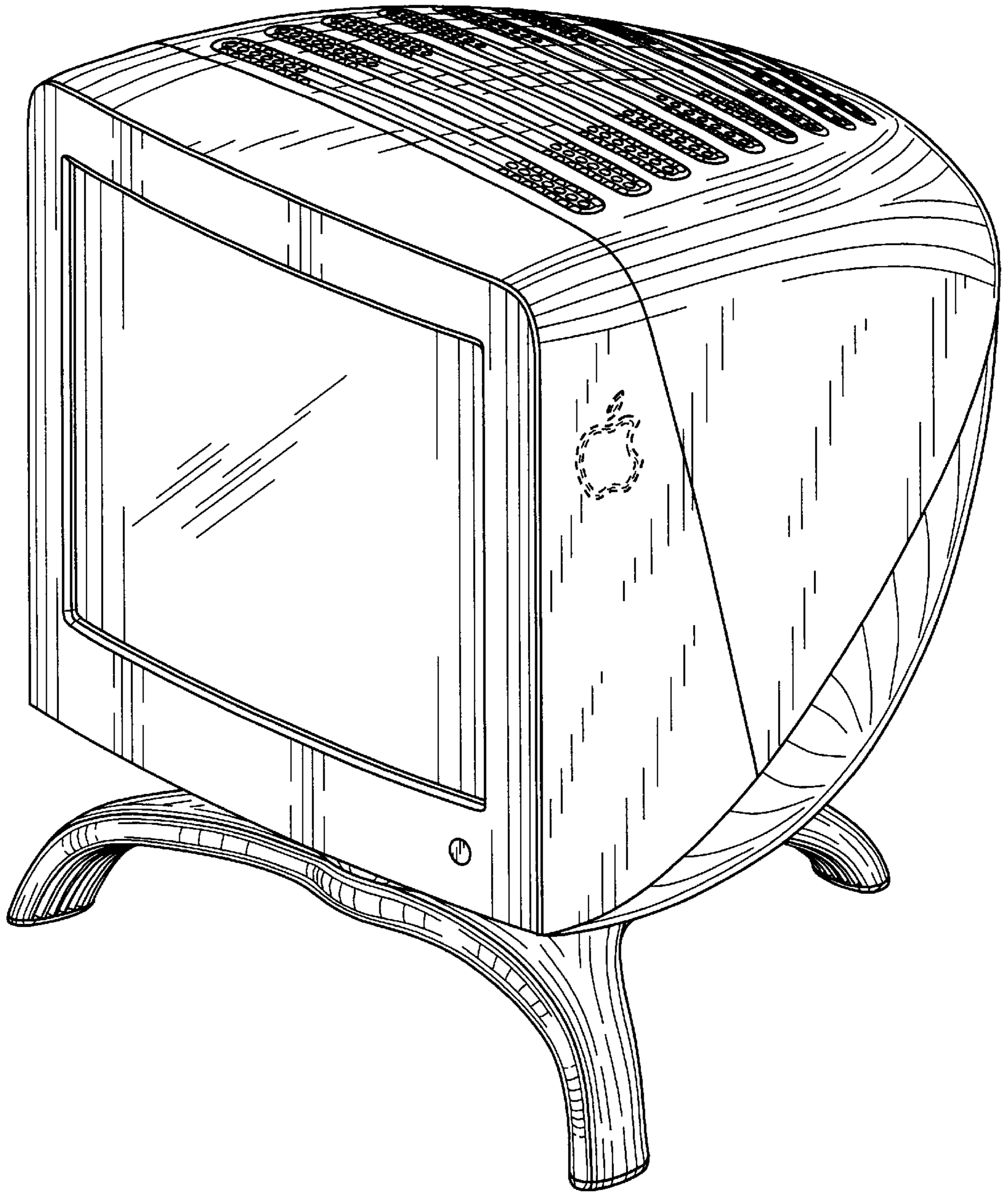


FIG. 9