



US00D418492S

United States Patent [19]

Nagase

[11] Patent Number: Des. 418,492

[45] Date of Patent: ** Jan. 4, 2000

[54] OPERATION CONTROLLER FOR ELECTRONIC COMPUTERS

939837 11/1995 Japan .
950028 3/1996 Japan .

[75] Inventor: Koji Nagase, Hachioji, Japan

[73] Assignee: Kabushiki Kaisha Toshiba, Kawasaki, Japan

[**] Term: 14 Years

[21] Appl. No.: 29/096,490

[22] Filed: Nov. 13, 1998

[30] Foreign Application Priority Data

Jul. 6, 1998 [JP] Japan 10-19194

[51] LOC (7) Cl. 14-02

[52] U.S. Cl. D14/107; D14/102

[58] Field of Search D14/100, 102, D14/107-109; D13/162, 184, 199; D6/432, 436, 445, 448; 312/194, 208.1; 360/99.12; 361/694, 696, 683; 369/34, 36

[56] References Cited

U.S. PATENT DOCUMENTS

D. 353,582 12/1994 May et al. D14/102
D. 376,138 12/1996 Moon .
D. 383,445 9/1997 Mousa D14/100

FOREIGN PATENT DOCUMENTS

833265 4/1992 Japan .
905735 8/1994 Japan .
915498 12/1994 Japan .

OTHER PUBLICATIONS

Falcon MicroSystems, pp. 19 and 77, vol. 4, Spring 1994.
NEC Corporation, Denpa Shinbun, dated Oct. 9, 1996.
PCLink TA322DSU, Oki Denki Kogyo, dated Sep. 9, 1997.
Aquanta QS, Unisys Corporation, dated Jun. 18, 1996.
Nucleus MS, Micronics, dated Aug. 10, 1997.
Yeong Yang Technology, YY-0110, dated Oct. 21, 1997.
Granpower6000-500, Fujitsu, dated Aug.15, 1998.

Primary Examiner—Freda Nunn
Attorney, Agent, or Firm—Banner & Witcoff, Ltd.

[57] CLAIM

The ornamental design for an operation controller for electronic computers, as shown and described.

DESCRIPTION

FIG. 1 is a top, front and right side perspective view of an operation controller for electronic computers showing my new design;
FIG. 2 is a front elevational view thereof;
FIG. 3 is a right side elevational view thereof;
FIG. 4 is a left side elevational view thereof;
FIG. 5 is a top plan view thereof;
FIG. 6 is a bottom plan view thereof;
FIG. 7 is a rear elevational view thereof; and,
FIG. 8 is a front elevational view showing the article with the door in a opened position thereof.

1 Claim, 4 Drawing Sheets

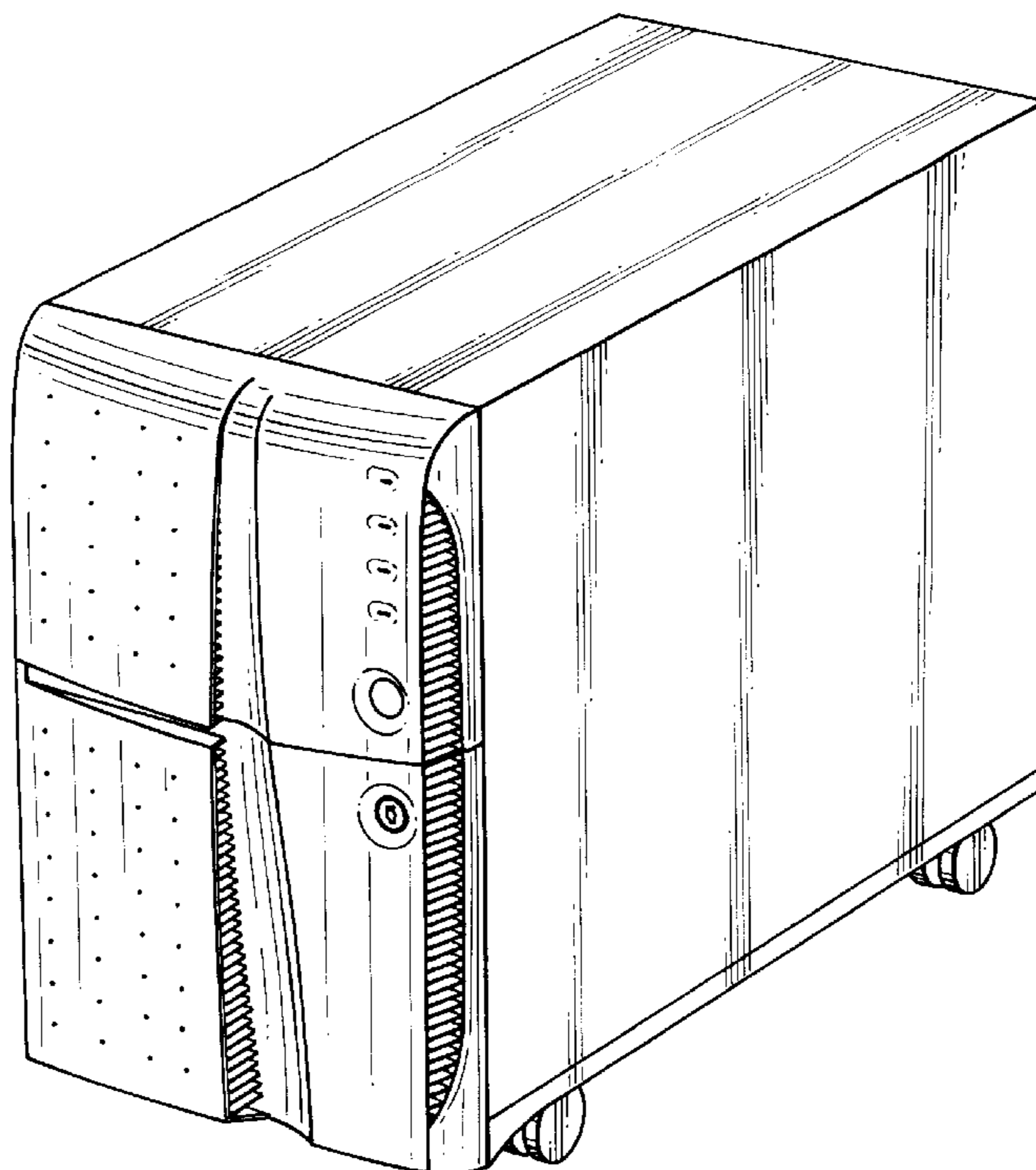


FIG. 1

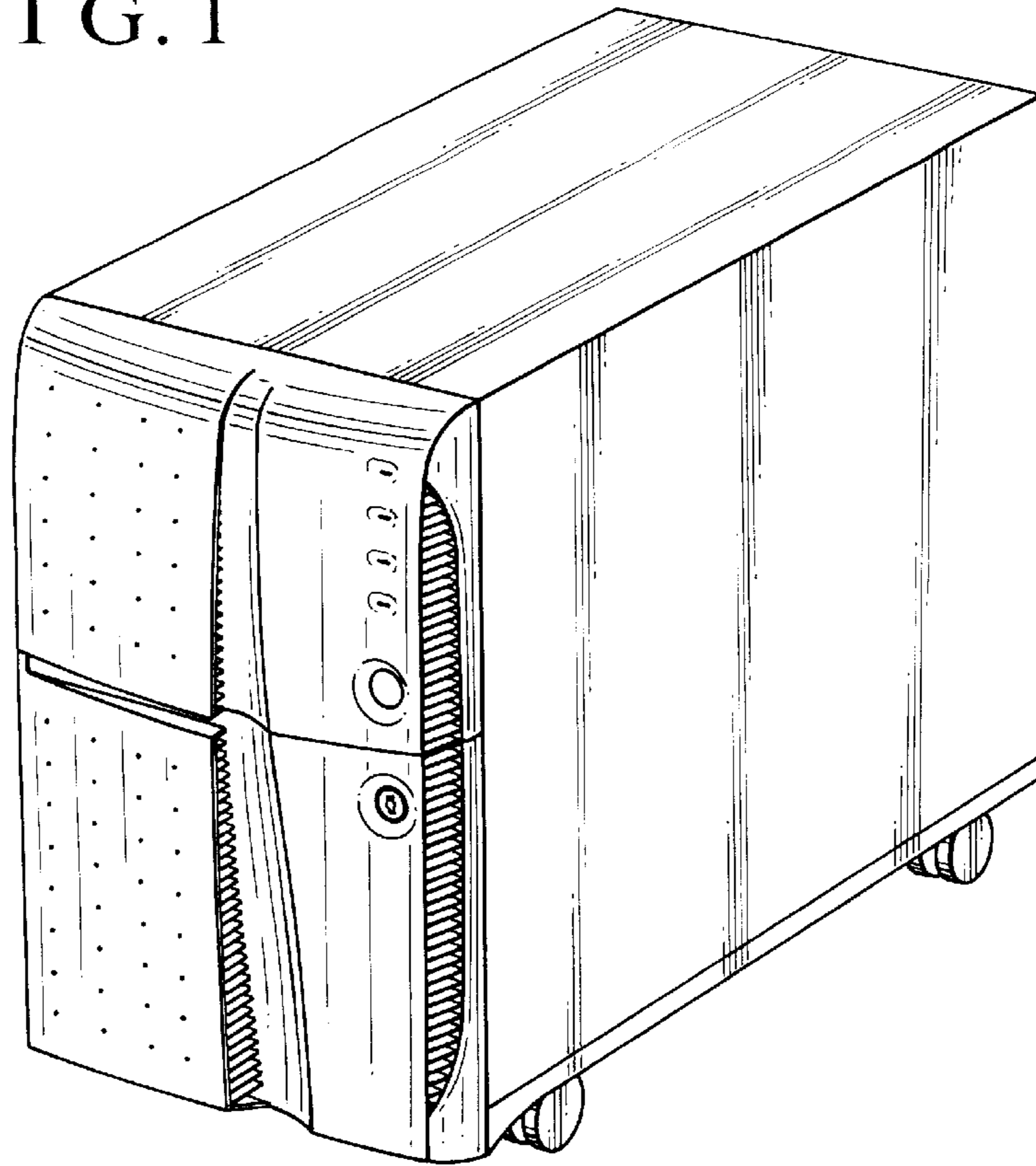


FIG. 2

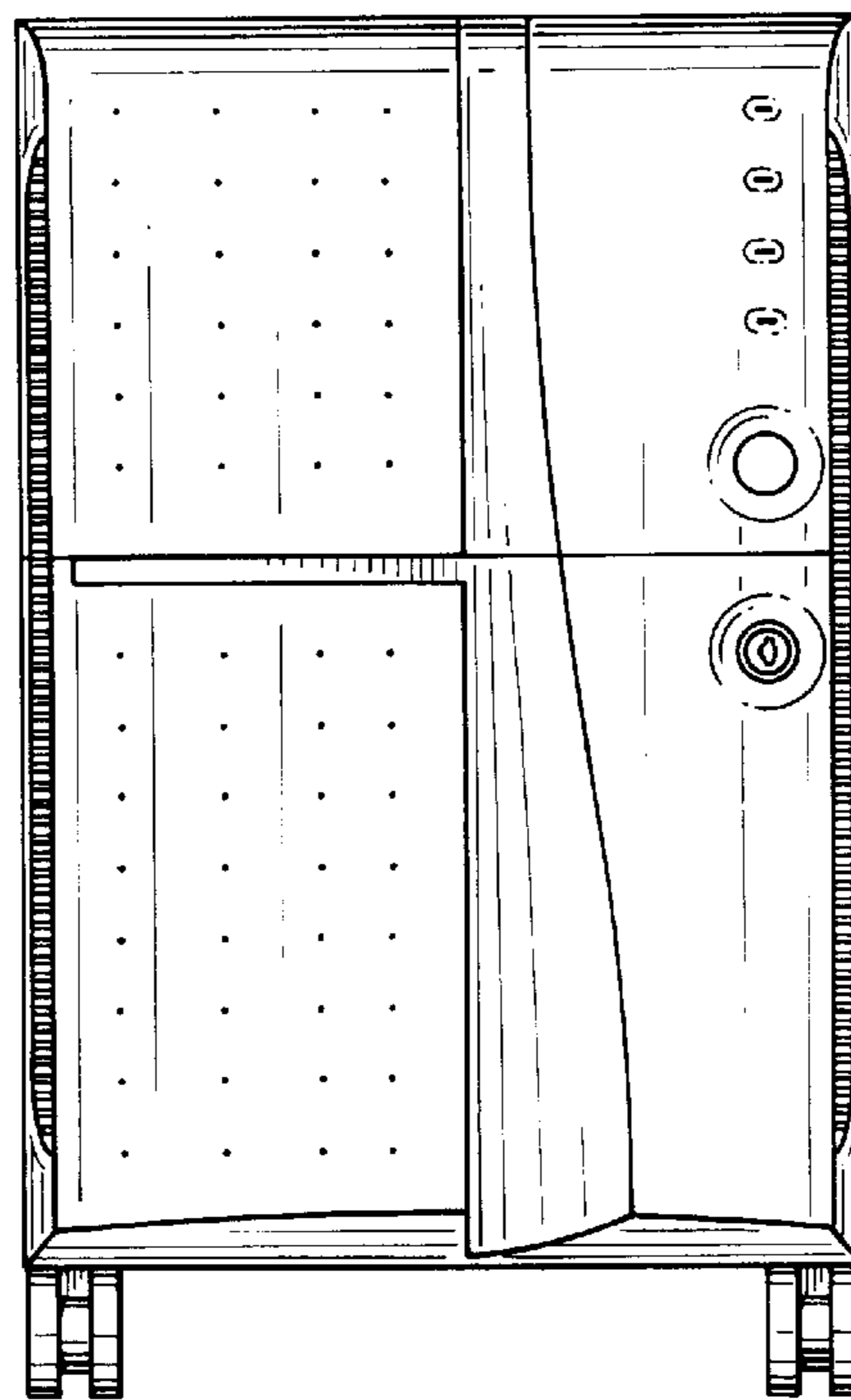


FIG. 3

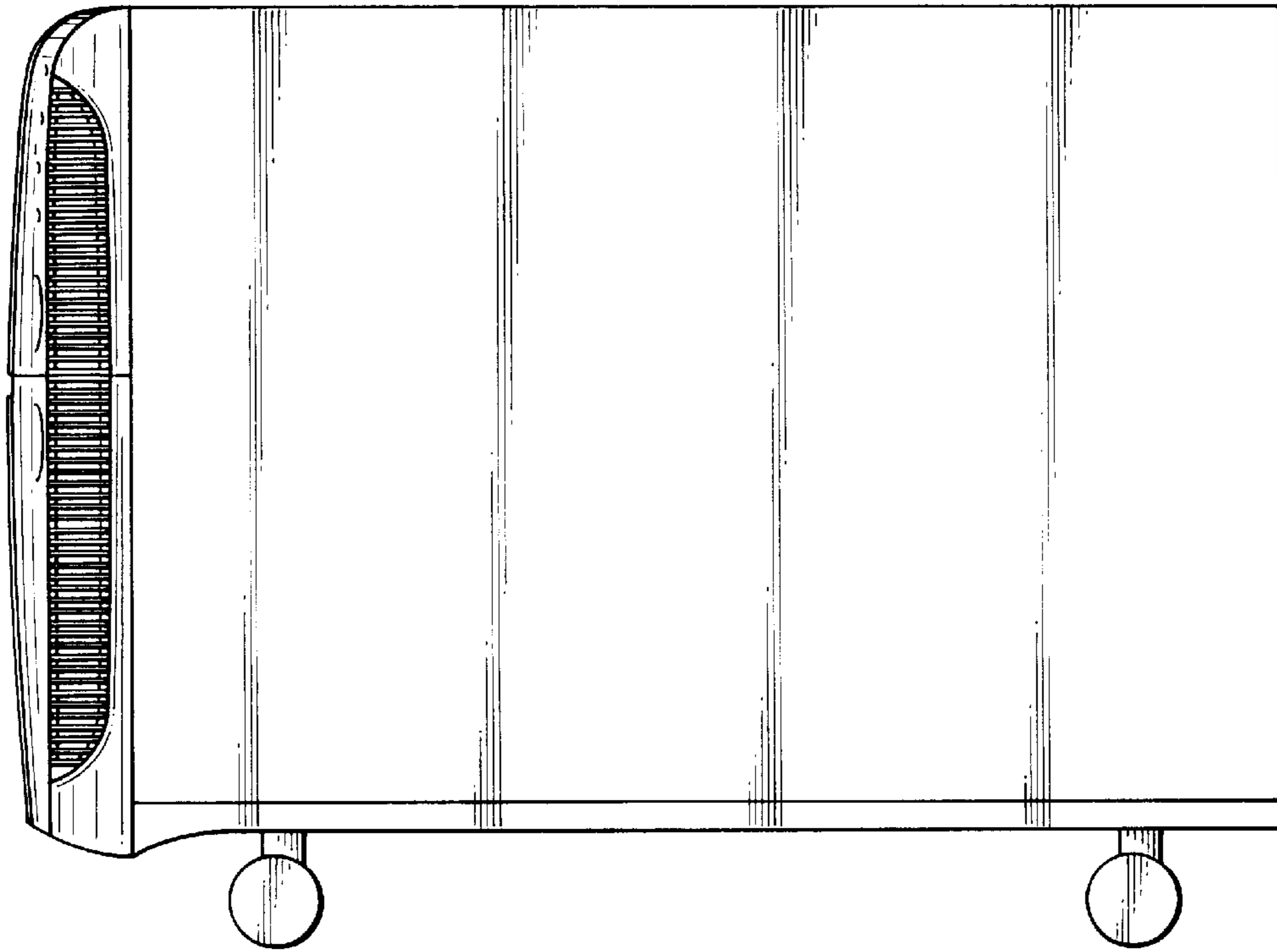


FIG. 4

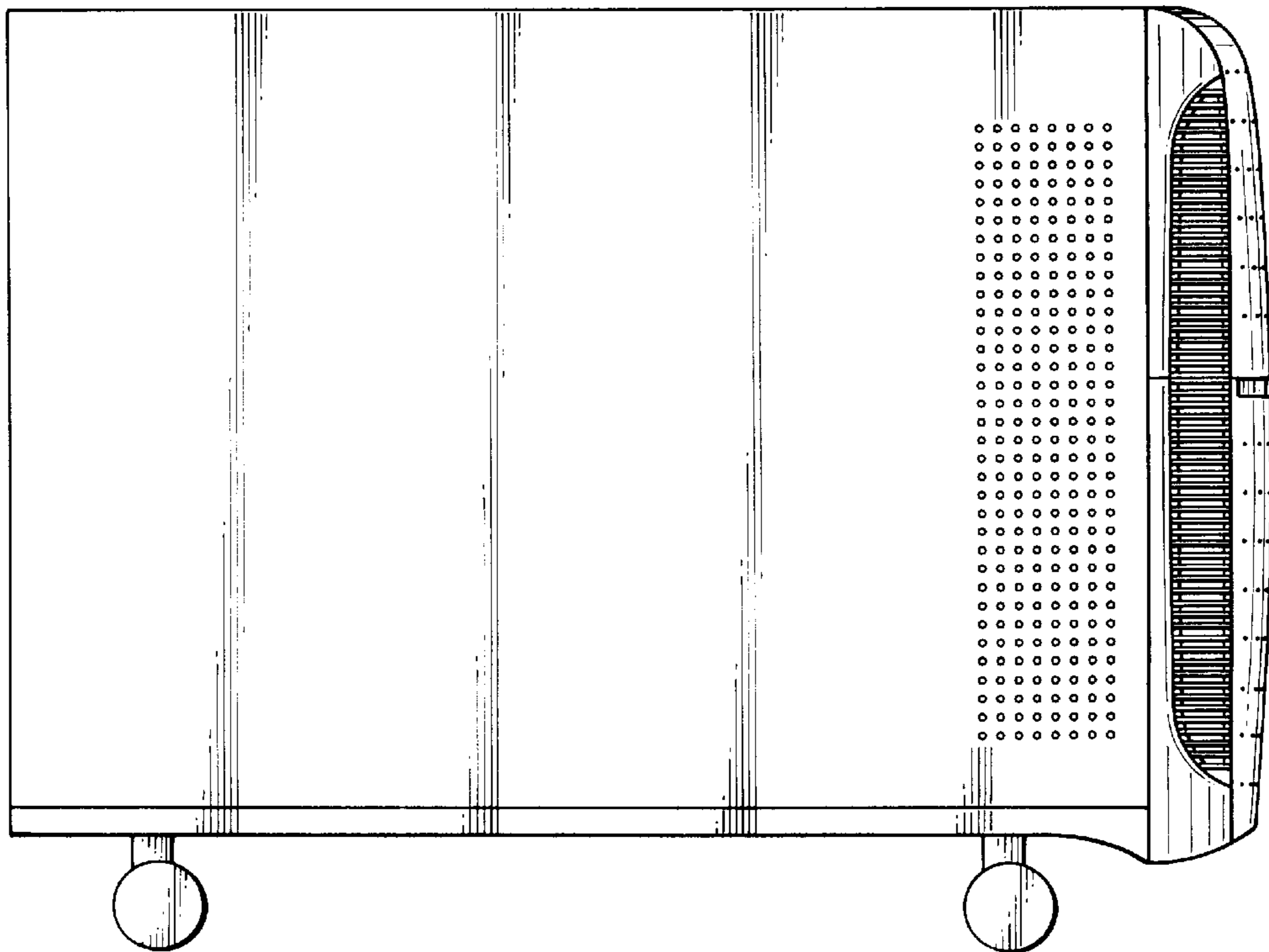


FIG. 5

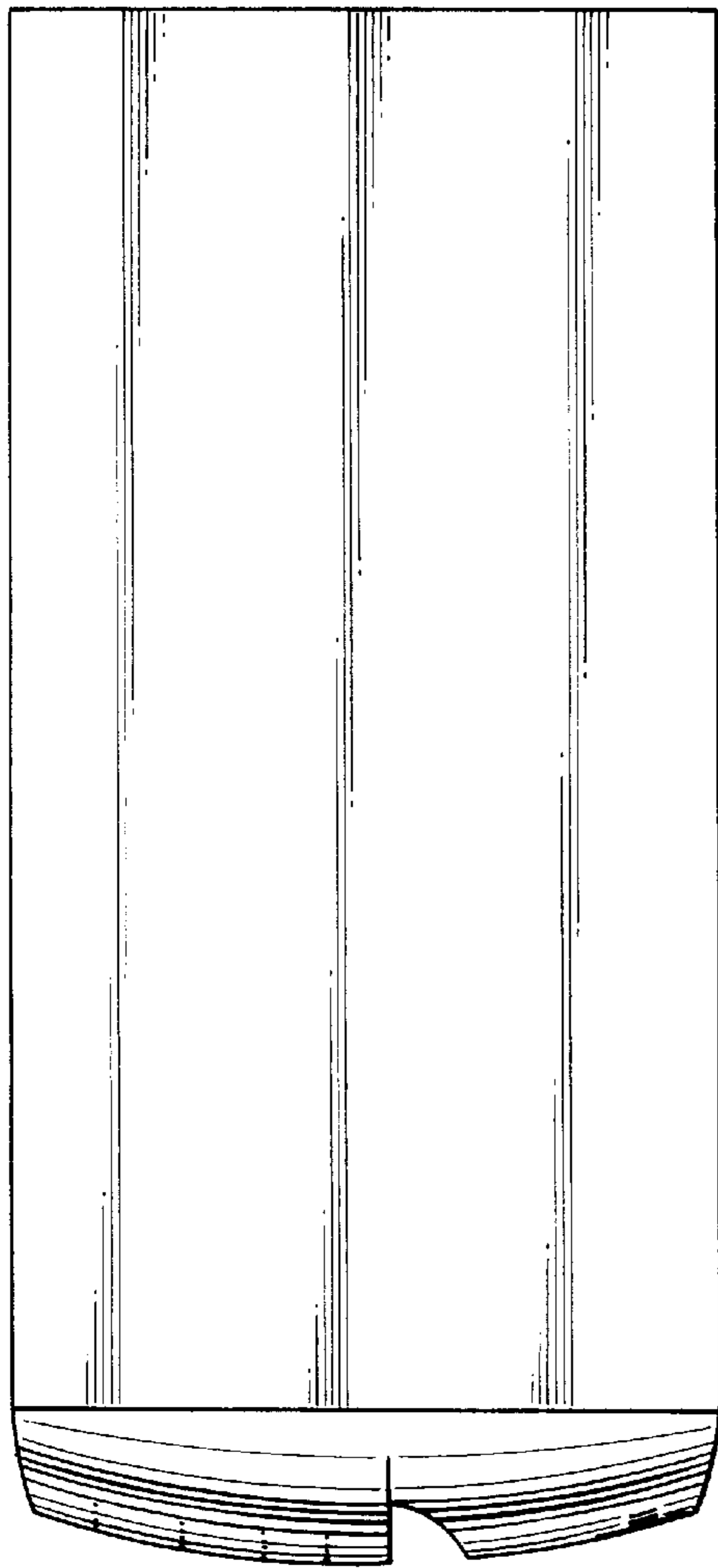


FIG. 6

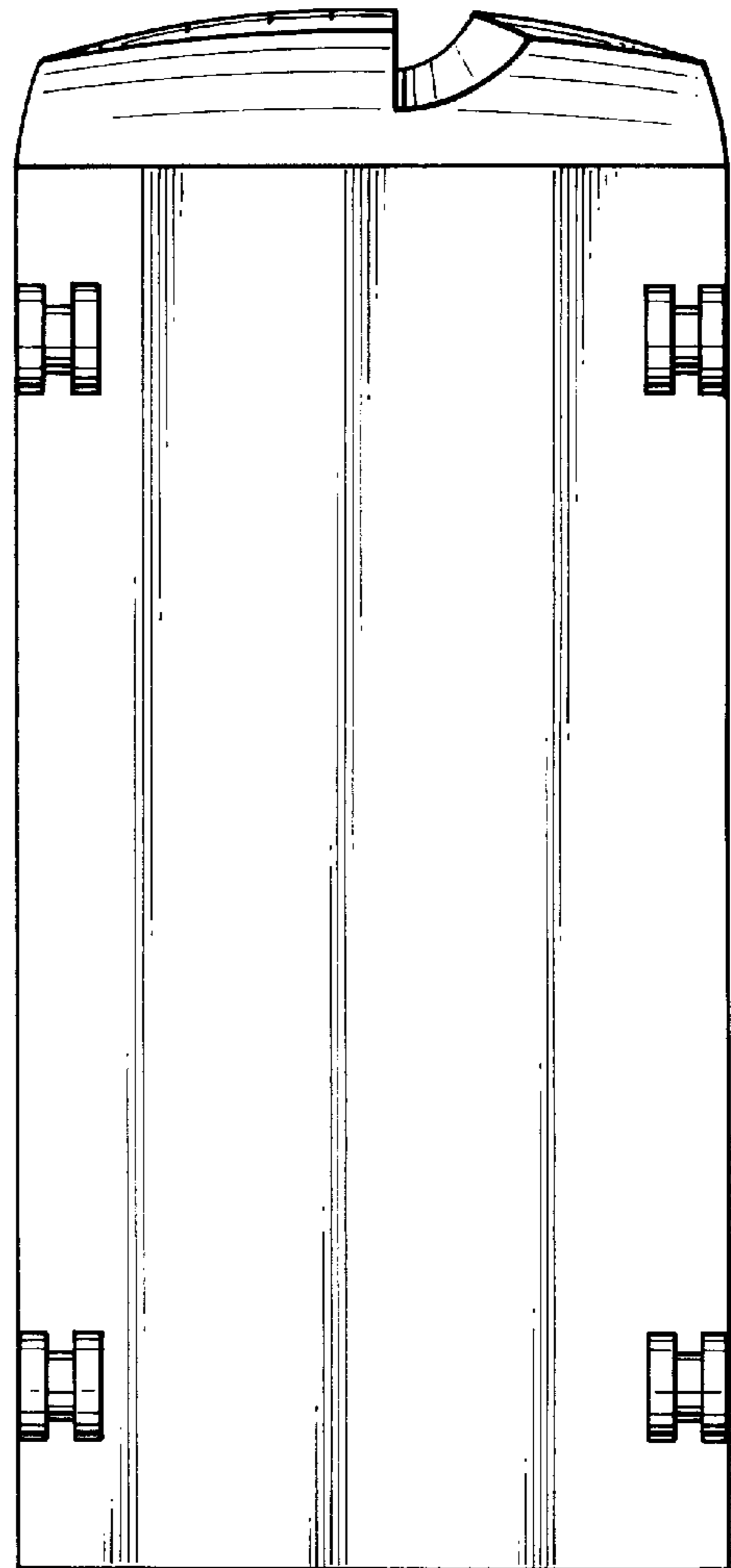


FIG. 7

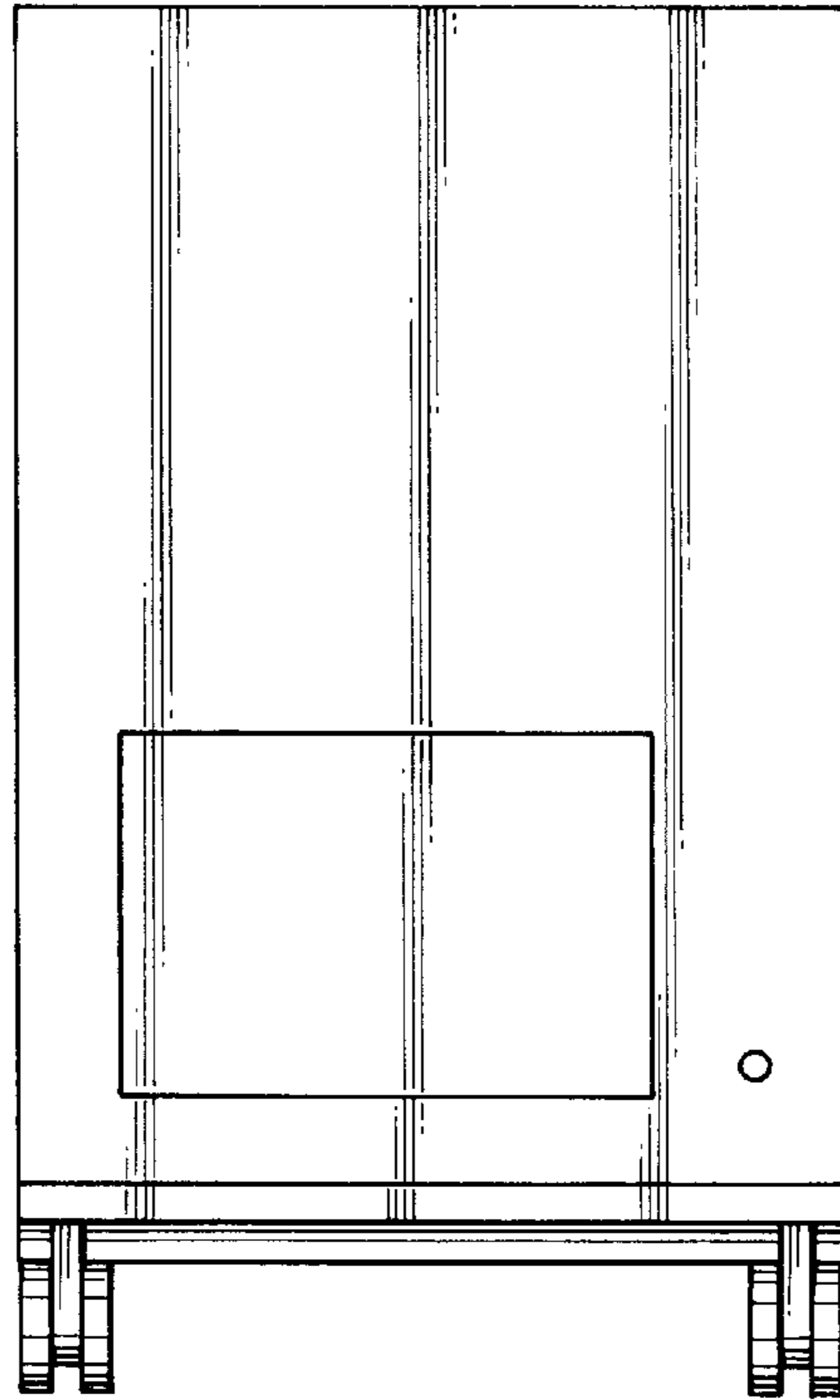


FIG. 8

