



US00D418484S

United States Patent [19] Kane

[11] **Patent Number: Des. 418,484**

[45] **Date of Patent: ** Jan. 4, 2000**

[54] **CIRCUIT CARD HOLDER**

[75] Inventor: **Vincent Michael Kane**, Harrisburg, Pa.

[73] Assignee: **The Whitaker Corporation**,
Wilmington, Del.

[**] Term: **14 Years**

[21] Appl. No.: **29/087,063**

[22] Filed: **Apr. 24, 1998**

[51] **LOC (7) Cl.** **13-03**

[52] **U.S. Cl.** **D13/182**

[58] **Field of Search** D13/182; 174/35 R;
361/737, 796, 798, 818; 211/41.17; 294/15,
34; 439/329, 476.1; 29/278, 747, 758, 759,
764

[56] **References Cited**

U.S. PATENT DOCUMENTS

3,193,316	7/1965	Custer	294/15
3,484,129	12/1969	Askren	294/15
3,617,083	11/1971	Koppensteiner et al.	294/15

4,109,379	8/1978	Ratti et al.	29/747
4,649,635	3/1987	Asai et al.	29/759
4,858,309	8/1989	Korsunsky et al.	29/764

Primary Examiner—Alan P. Douglas
Assistant Examiner—Lavone D. Tabor
Attorney, Agent, or Firm—Anton P. Ness

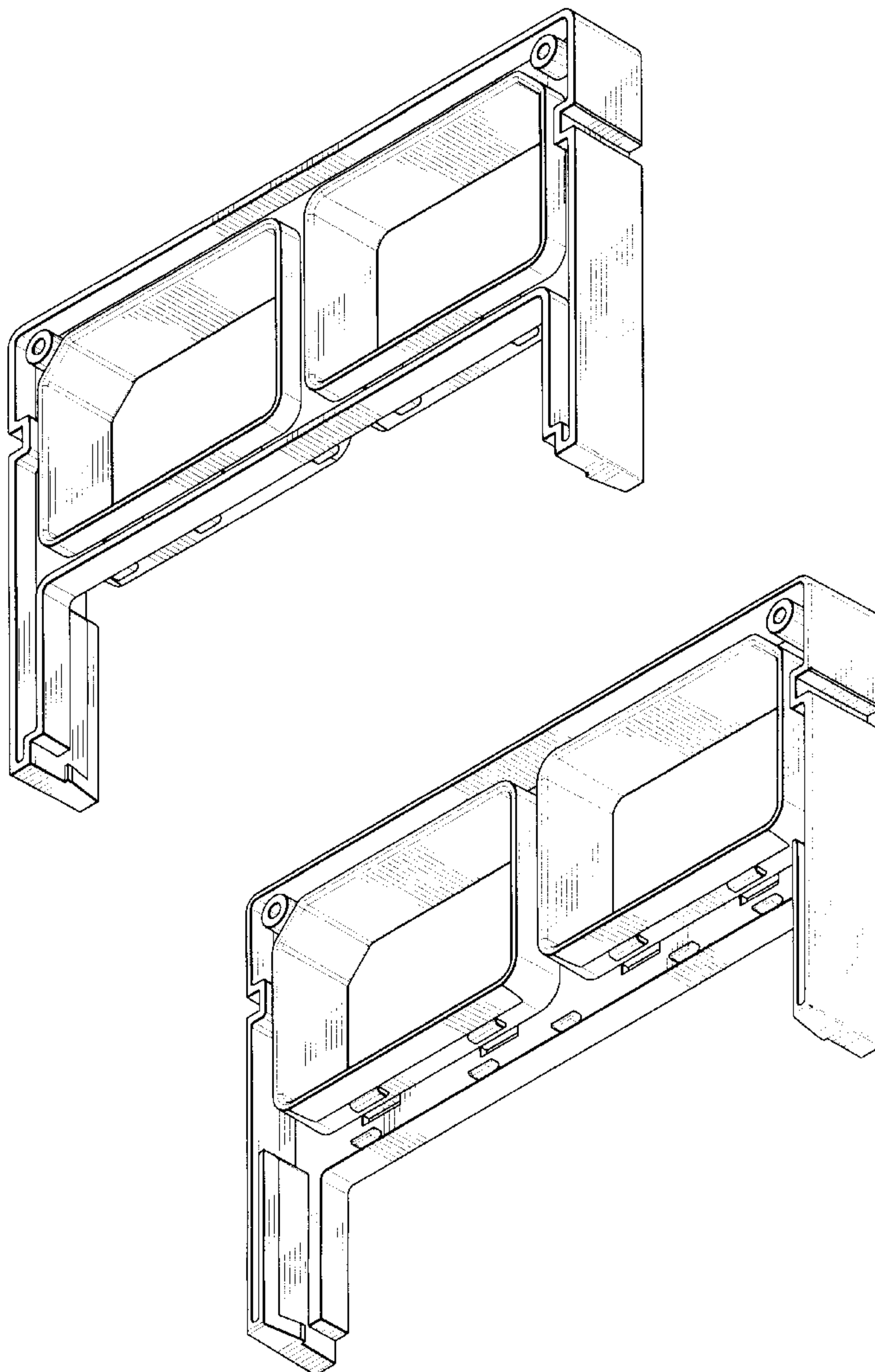
[57] **CLAIM**

The ornamental design for a circuit card holder, as shown and described.

DESCRIPTION

FIG. 1 is an isometric view of a first side of the holder from below;
FIG. 2 is an isometric view of a second side of the holder from below;
FIG. 3 is an elevation view of the first side of the holder;
FIG. 4 is an elevation view of a first end of the holder;
FIG. 5 is a plan view of the holder;
FIG. 6 is an elevation view of the second side of the holder;
FIG. 7 is a bottom view of the holder; and,
FIG. 8 is an elevation view of the second end of the holder.

1 Claim, 3 Drawing Sheets



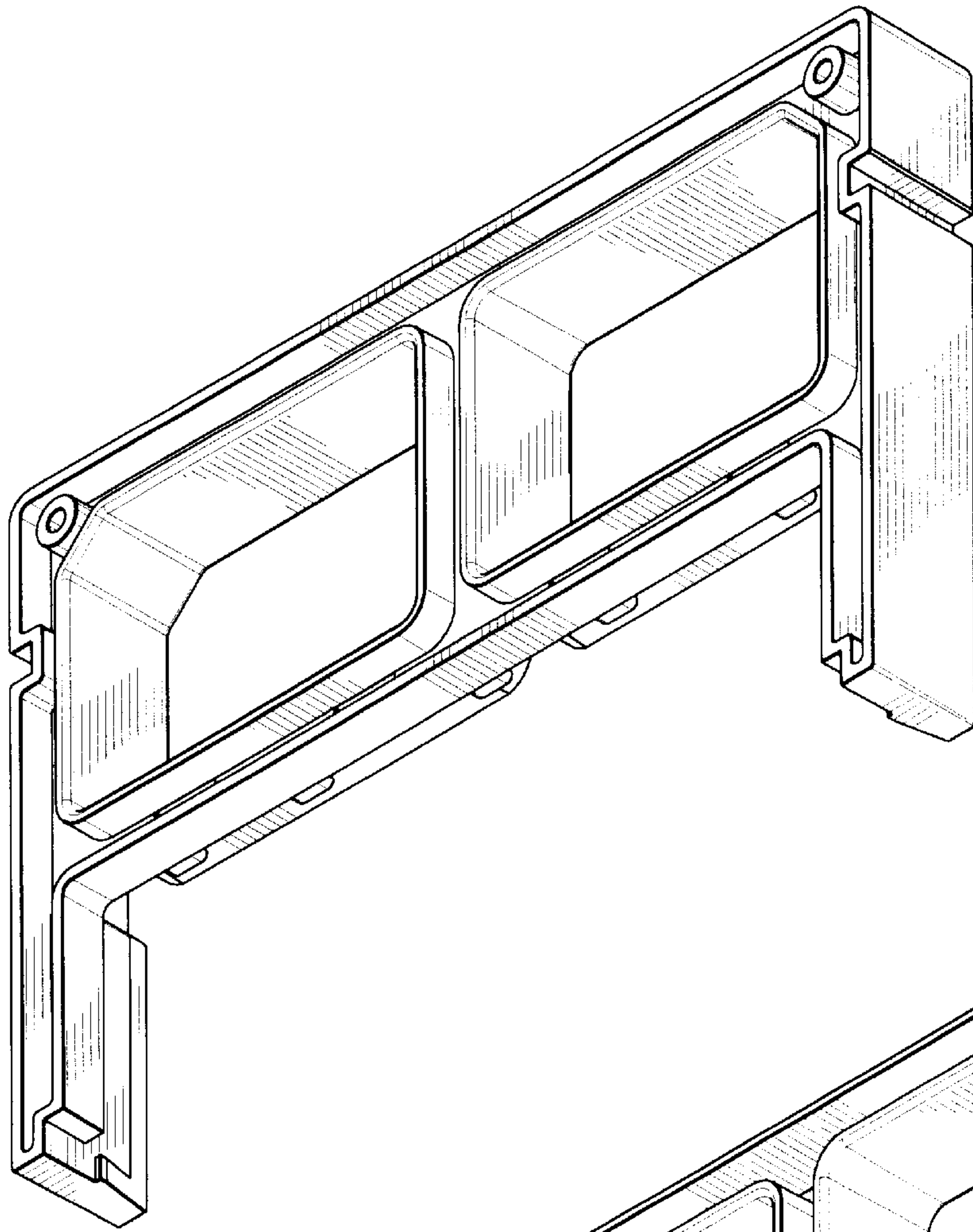


FIG. 1

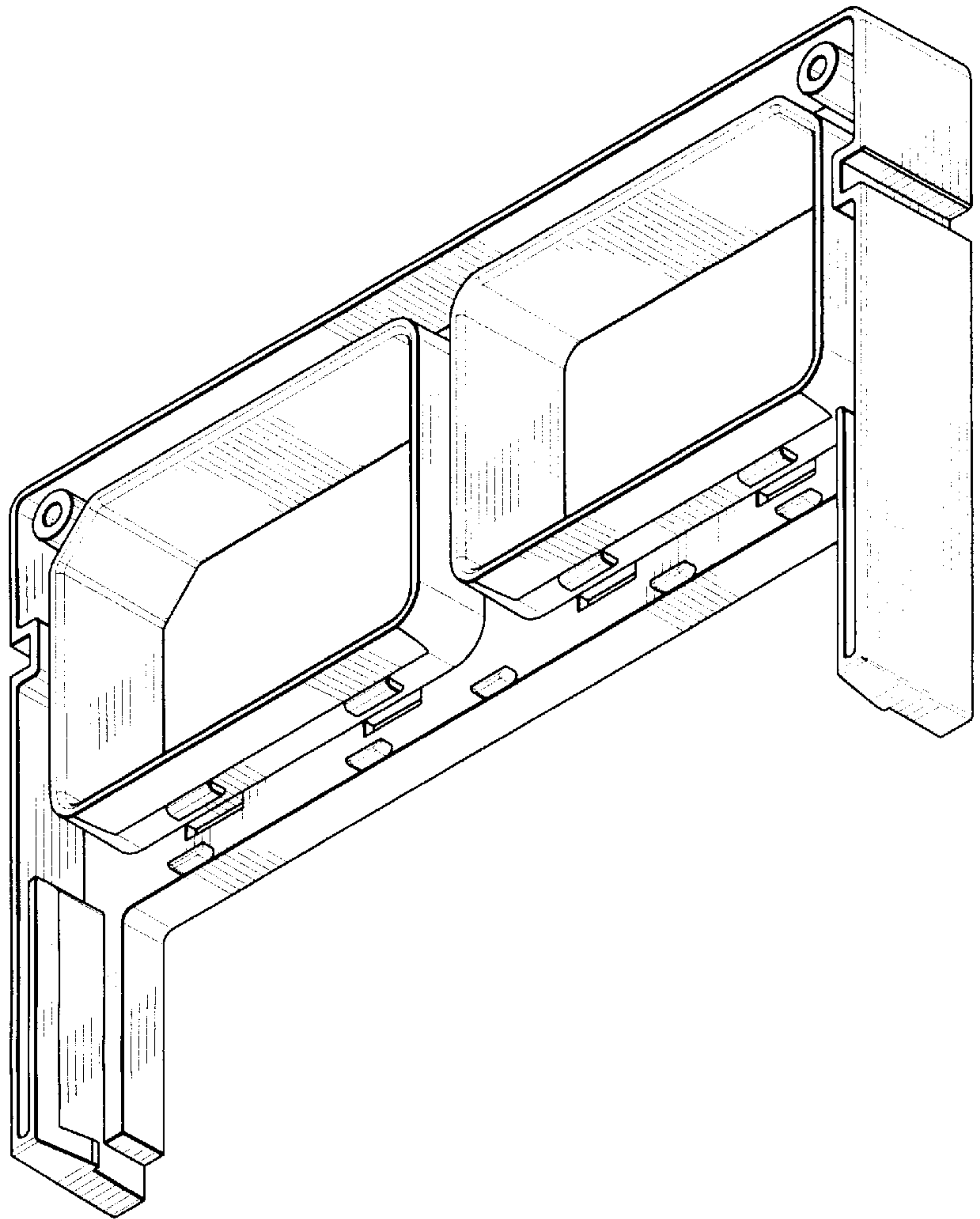


FIG. 2

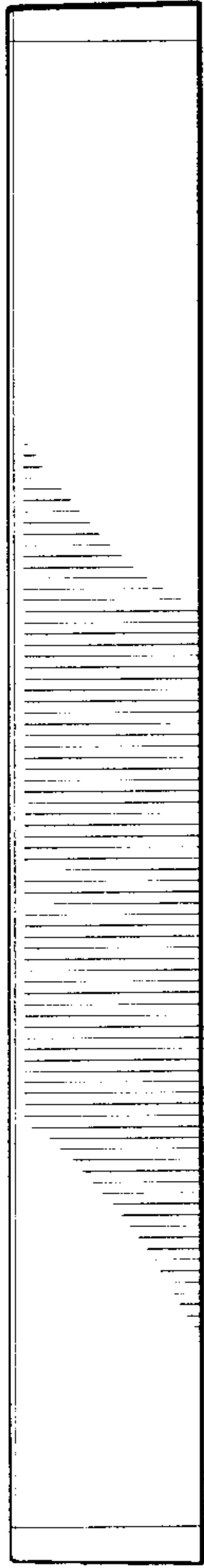


FIG. 5

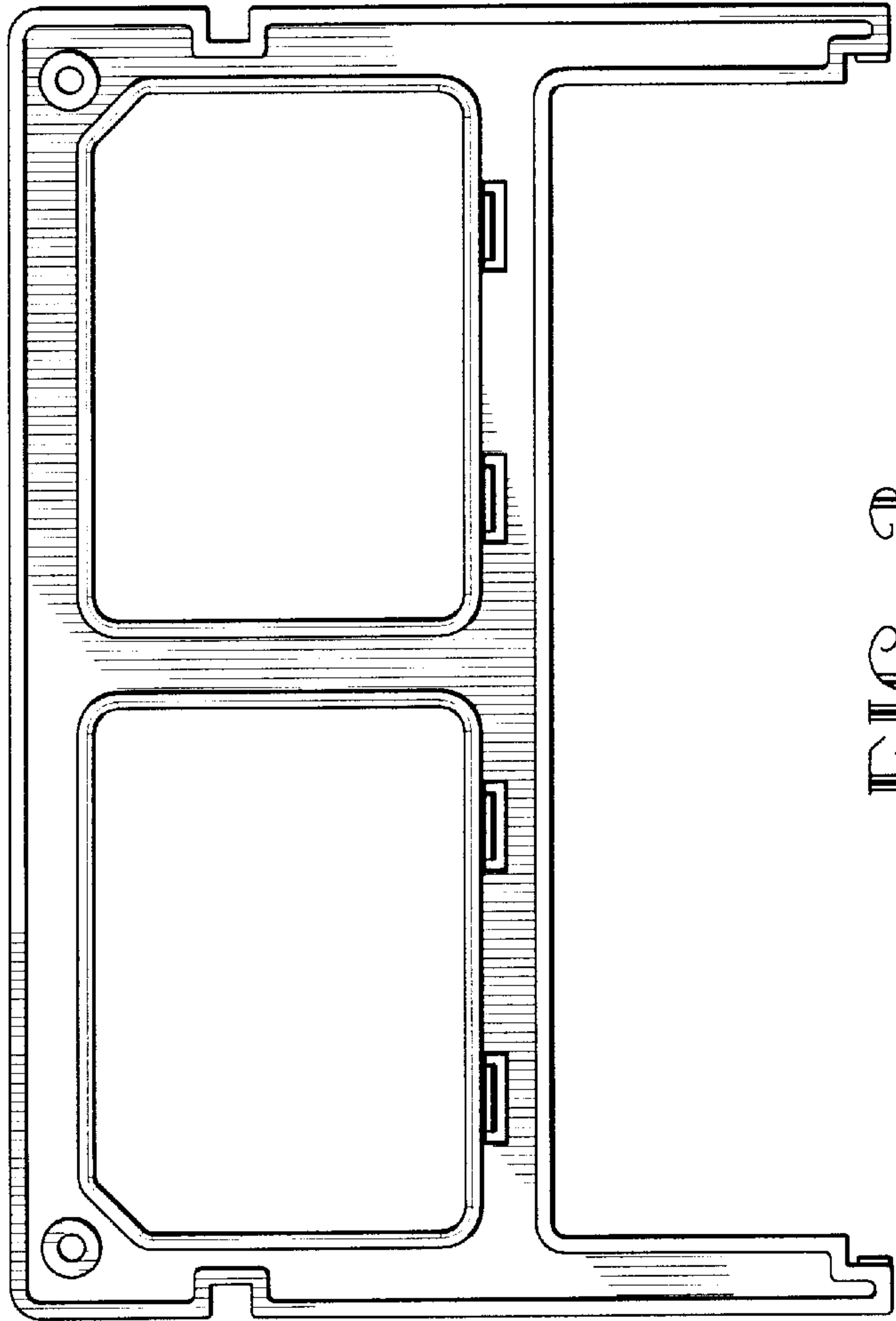


FIG. 3

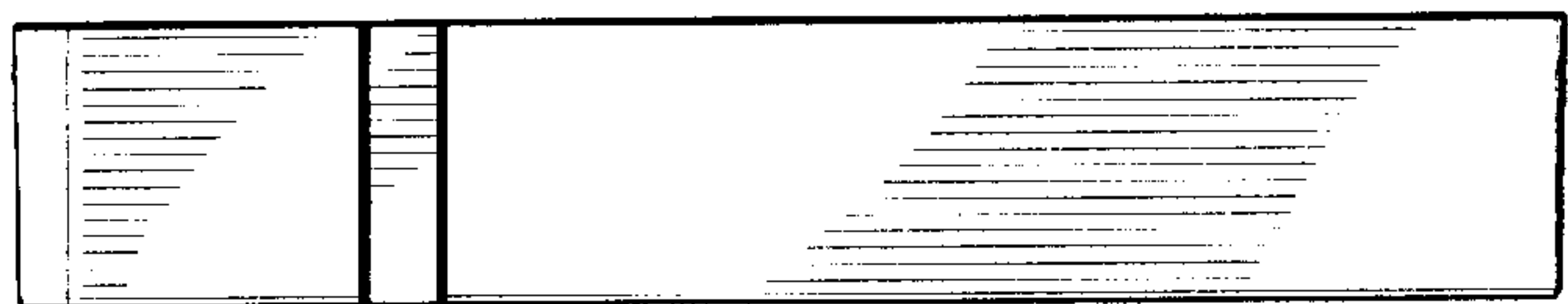


FIG. 4

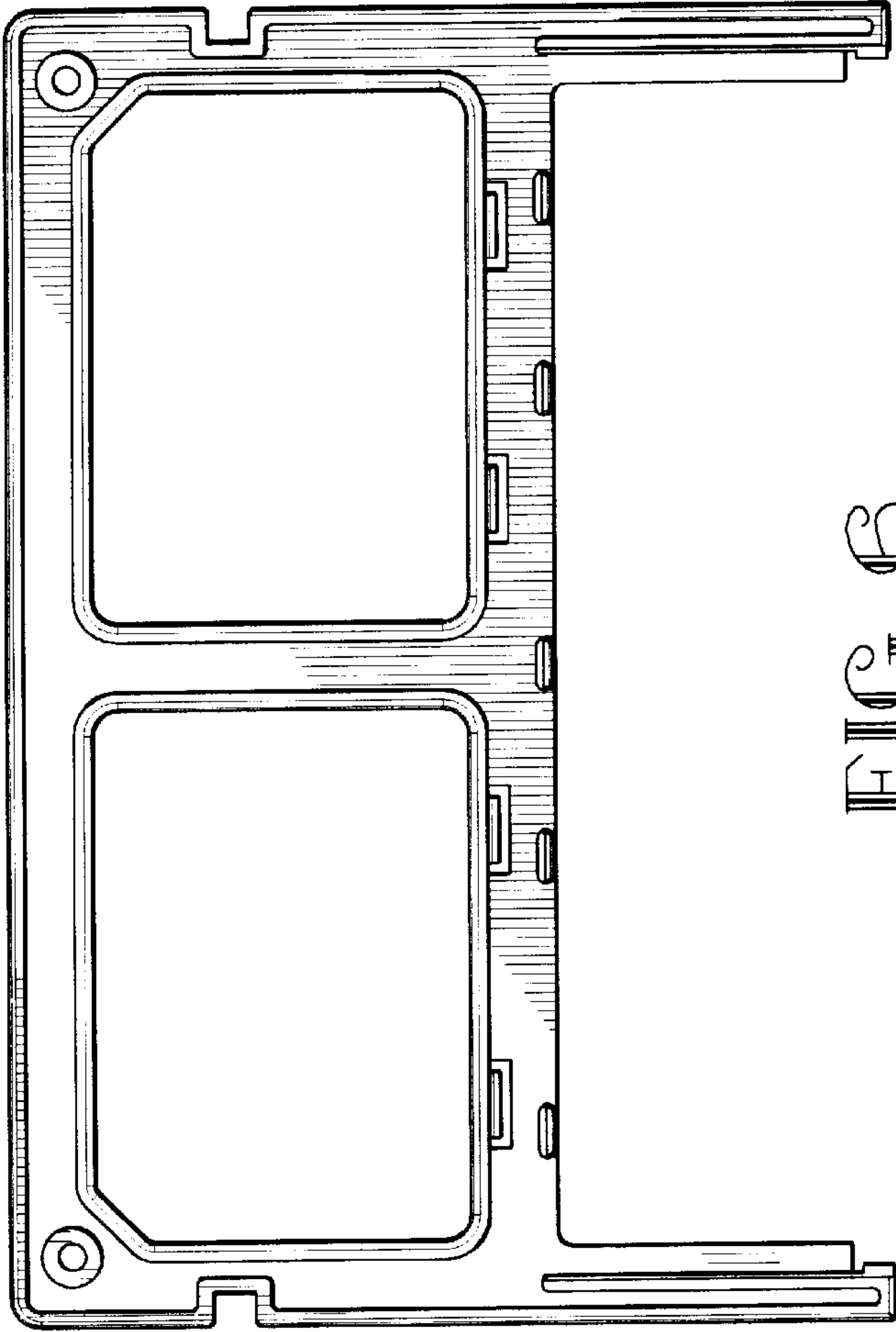


FIG. 6

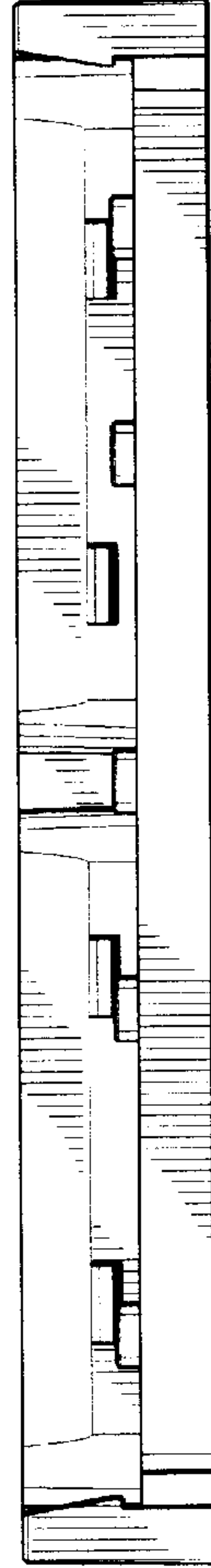


FIG. 7

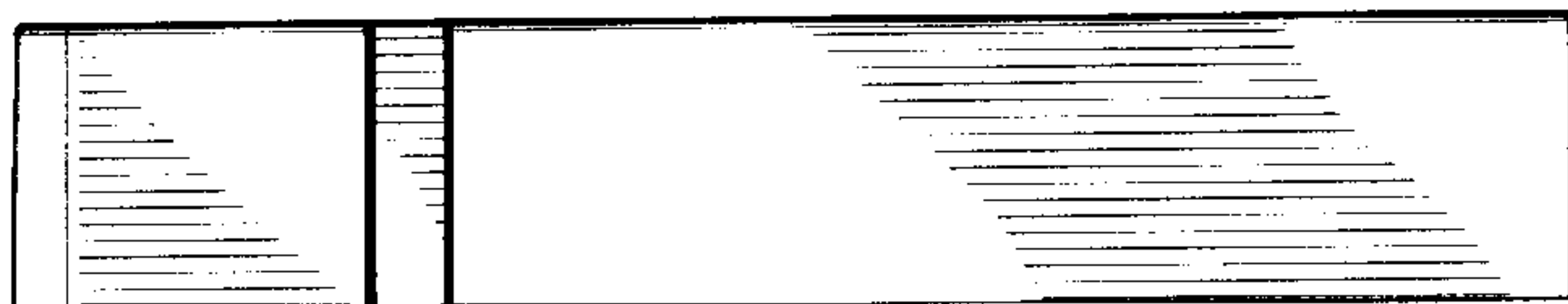


FIG. 8