



US00D418481S

United States Patent [19] Lin

[11] **Patent Number: Des. 418,481**
[45] **Date of Patent: ** Jan. 4, 2000**

[54] **SURFACE MOUNT BOX**

[75] Inventor: **Mike H. Lin**, Cerritos, Calif.

[73] Assignee: **International Connectors and Cable Corporation**, Cerritos, Calif.

[**] Term: **14 Years**

[21] Appl. No.: **29/076,740**

[22] Filed: **Sep. 17, 1997**

[51] **LOC (7) Cl.** **13-03**

[52] **U.S. Cl.** **D13/152**

[58] **Field of Search** D13/152, 147;
D14/256; 439/535, 696; 174/52.1

[56] **References Cited**

U.S. PATENT DOCUMENTS

D. 312,070	11/1990	Benjamin et al.	D13/147
D. 366,878	2/1996	Wakabayashi et al.	D13/147 X
D. 372,703	8/1996	Hannon et al.	D13/152
D. 378,674	4/1997	Volansky et al.	D13/147
D. 396,474	7/1998	Lin	D14/256
4,820,192	4/1989	Denkmann et al.	439/676 X
5,183,967	2/1993	Lin	174/52.1
5,391,095	2/1995	Born	439/676
5,672,074	9/1997	Block et al.	439/540.1

OTHER PUBLICATIONS

The Siemon Company, "1996 Catalog," pp. 14-17.
Allen Tel Products, Inc., "Voice & Data," 1996, pp. 16-19.
International Connectors and Cable Corporation, "Where Service and Connect," 1995, pp. 7 and 9.
Leviton Telcom, "Leviton Information Distribution System Products" 1993 pp. C10-C13.

Primary Examiner—Joel Sincavage
Attorney, Agent, or Firm—Christie, Parker & Hale, LLP

[57] **CLAIM**

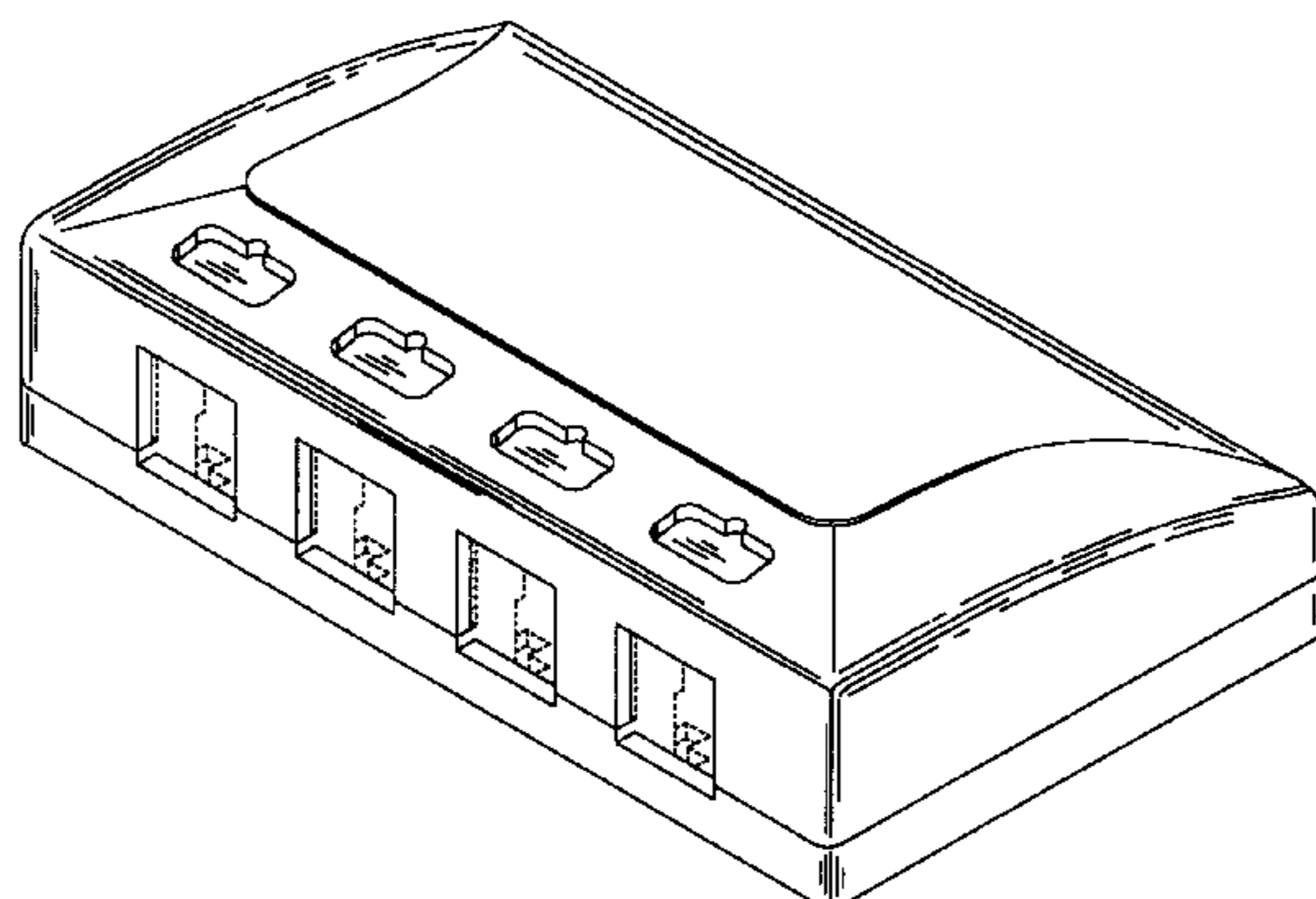
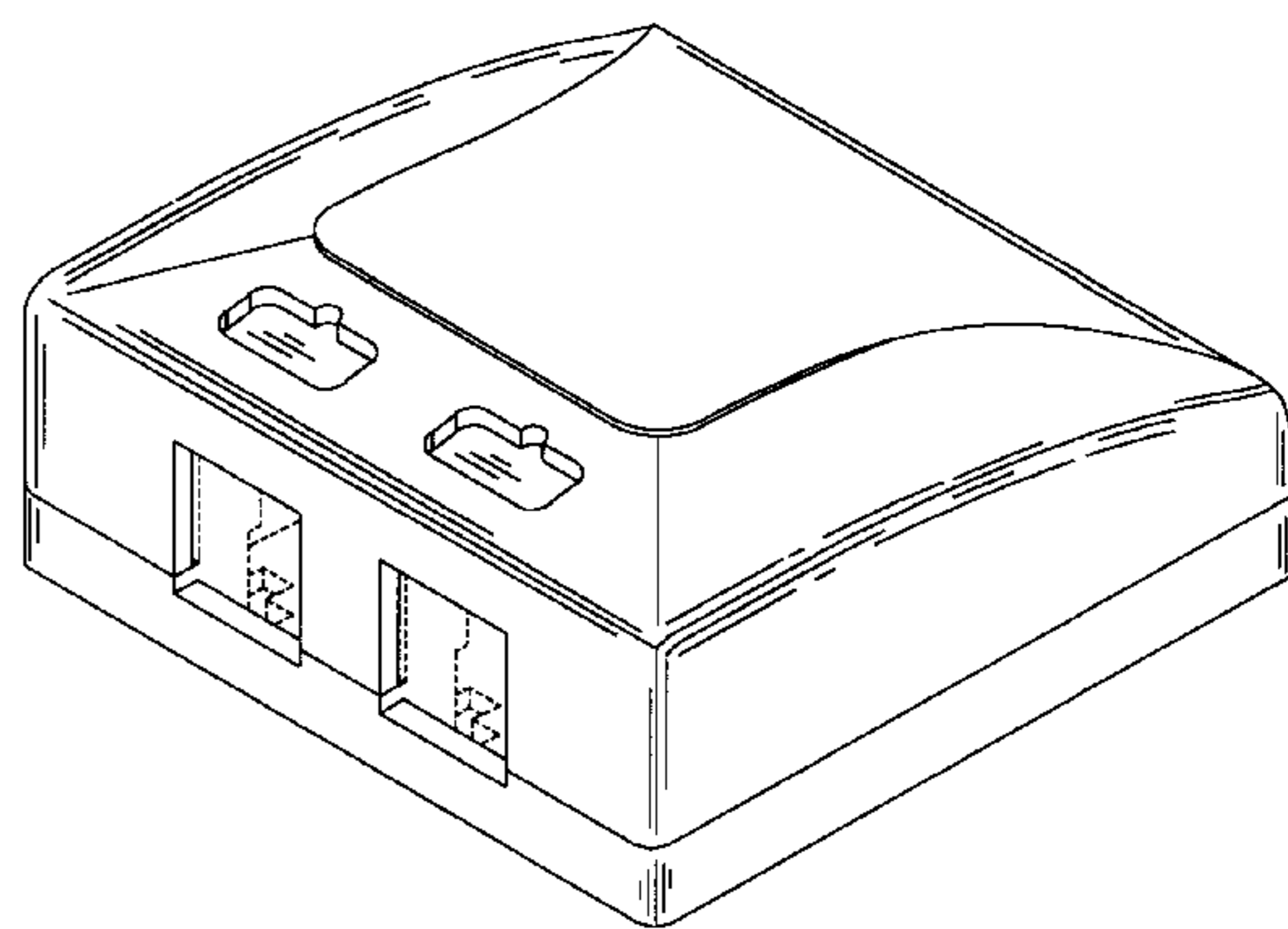
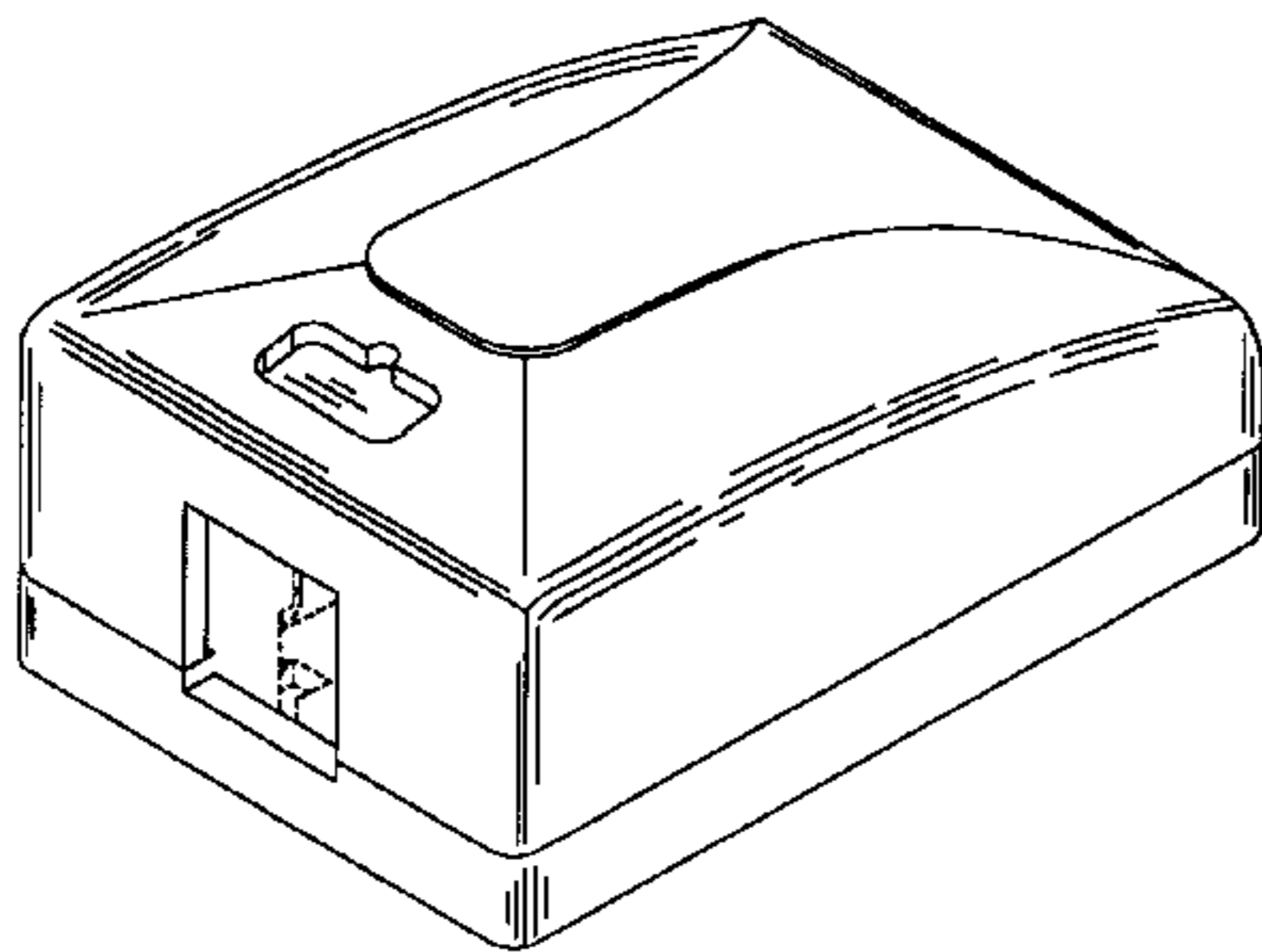
I claim the ornamental design for a surface mount box, as shown and described.

DESCRIPTION

FIG. 1 is a top perspective view of the surface mount box showing the first embodiment of my new design;
FIG. 2 is a top view thereof;
FIG. 3 is a left side view thereof with the right side being a mirror image thereof;
FIG. 4 is a front view thereof;
FIG. 5 is a rear view thereof;
FIG. 6 is a top perspective view of the surface mount box showing the second embodiment of my new design;
FIG. 7 is a top view thereof;
FIG. 8 is a left side view thereof with a right side being a mirror image thereof;
FIG. 9 is a front view thereof;
FIG. 10 is a rear view thereof;
FIG. 11 is a top perspective view of the surface mount box showing the third embodiment of my new design;
FIG. 12 is a top view thereof;
FIG. 13 is a left side view thereof with the right side being a mirror image thereof;
FIG. 14 is a front view thereof; and,
FIG. 15 is a rear view thereof.

The broken line showing throughout the drawing views is included for the purpose of illustrating environmental structure only and forms no part of the claimed design.

1 Claim, 7 Drawing Sheets



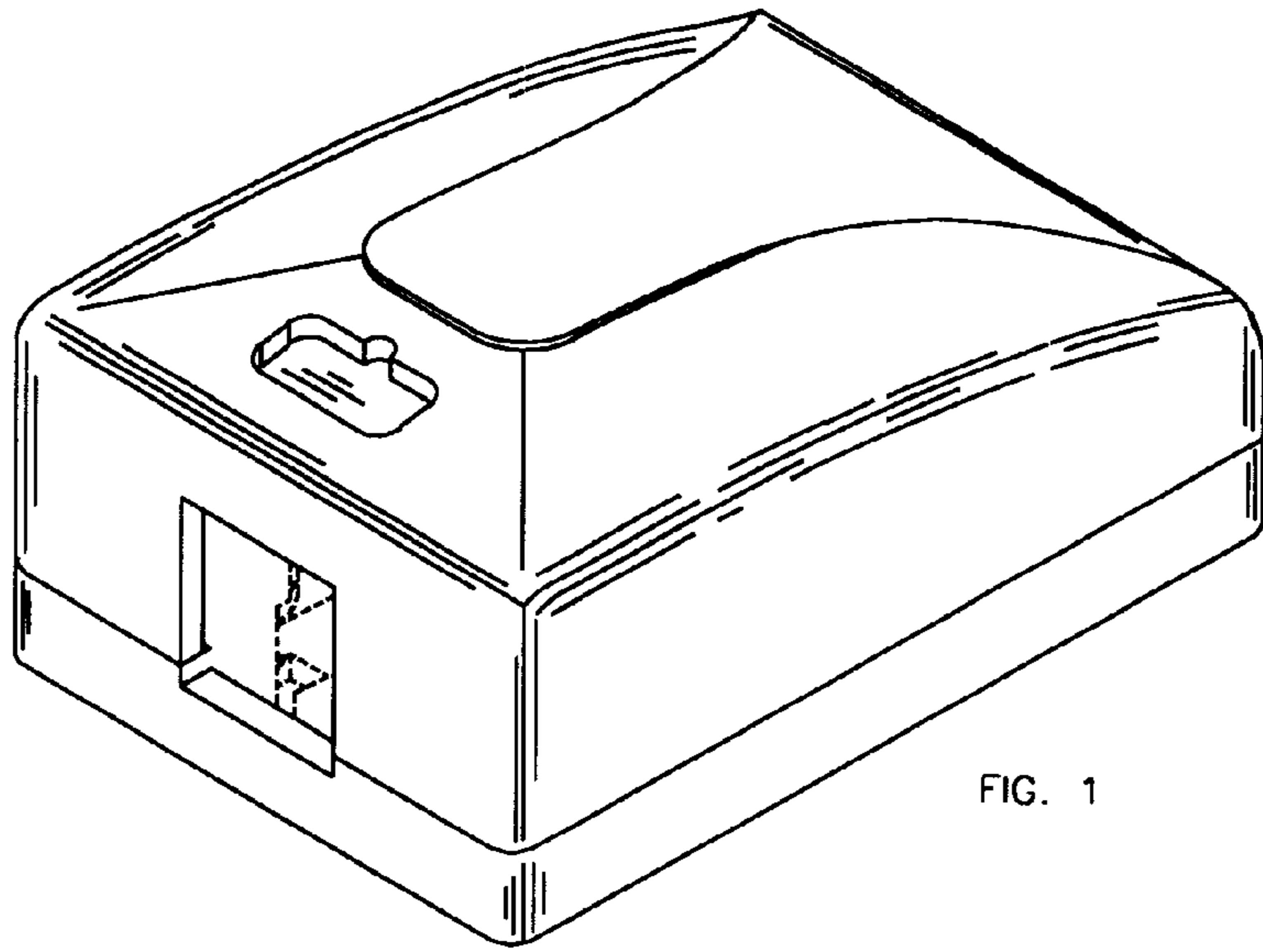


FIG. 1

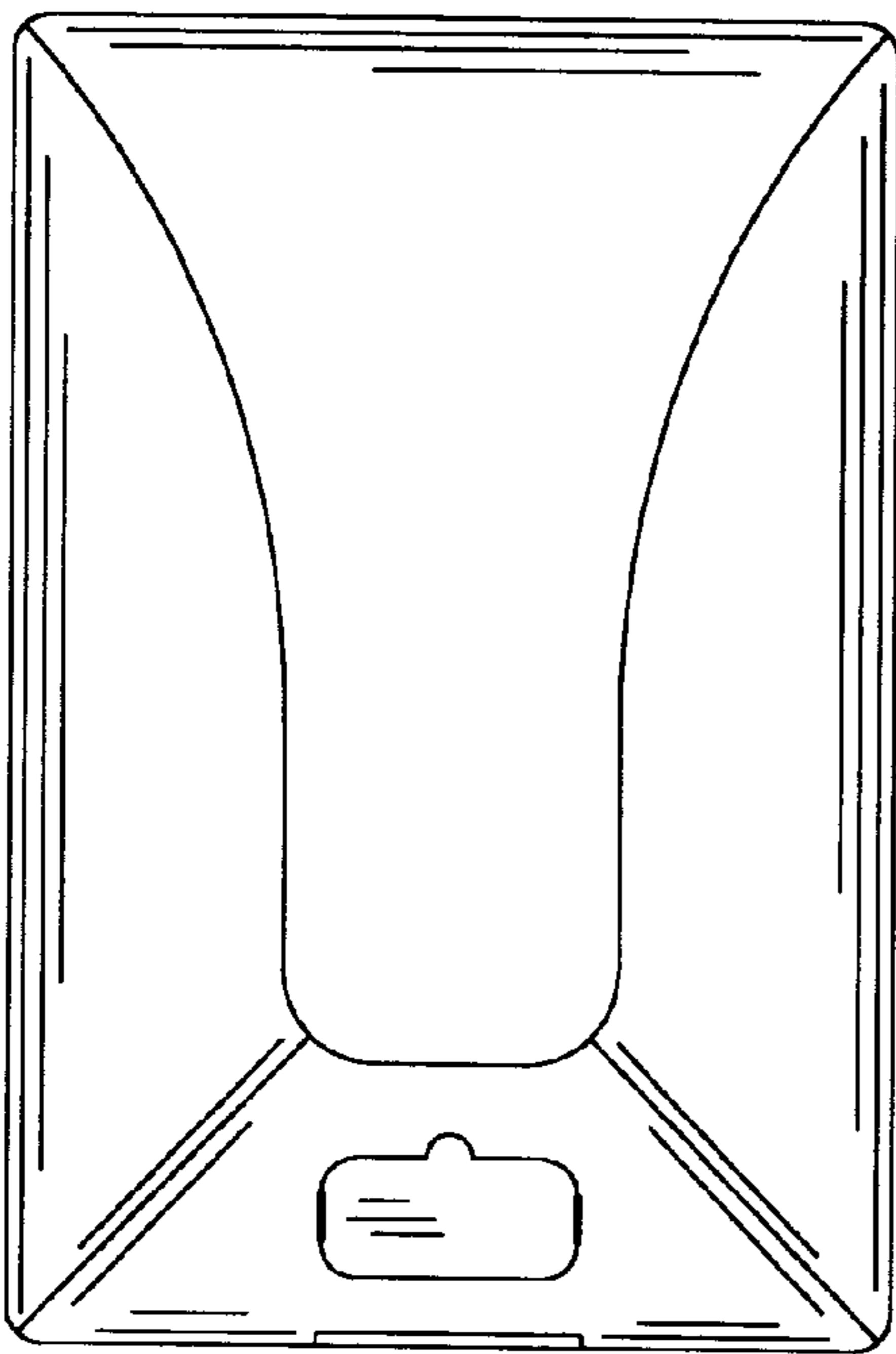


FIG. 2

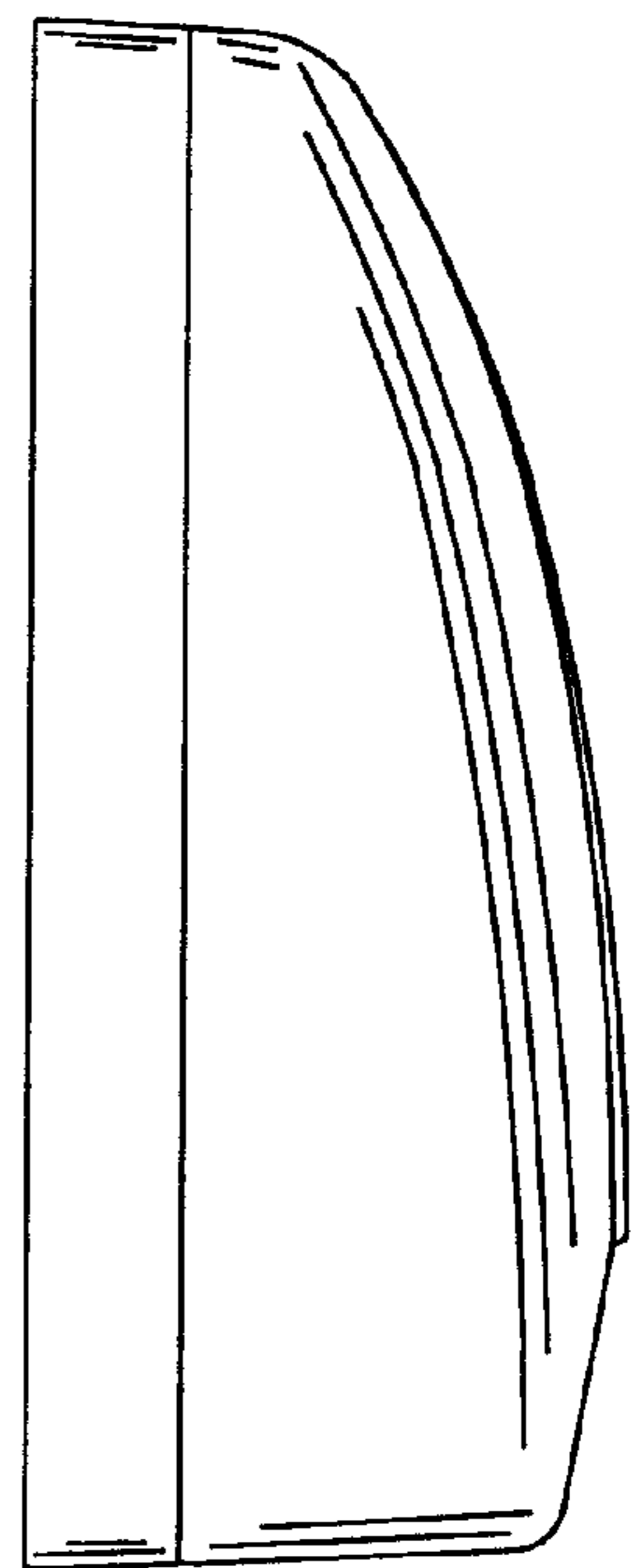


FIG. 3

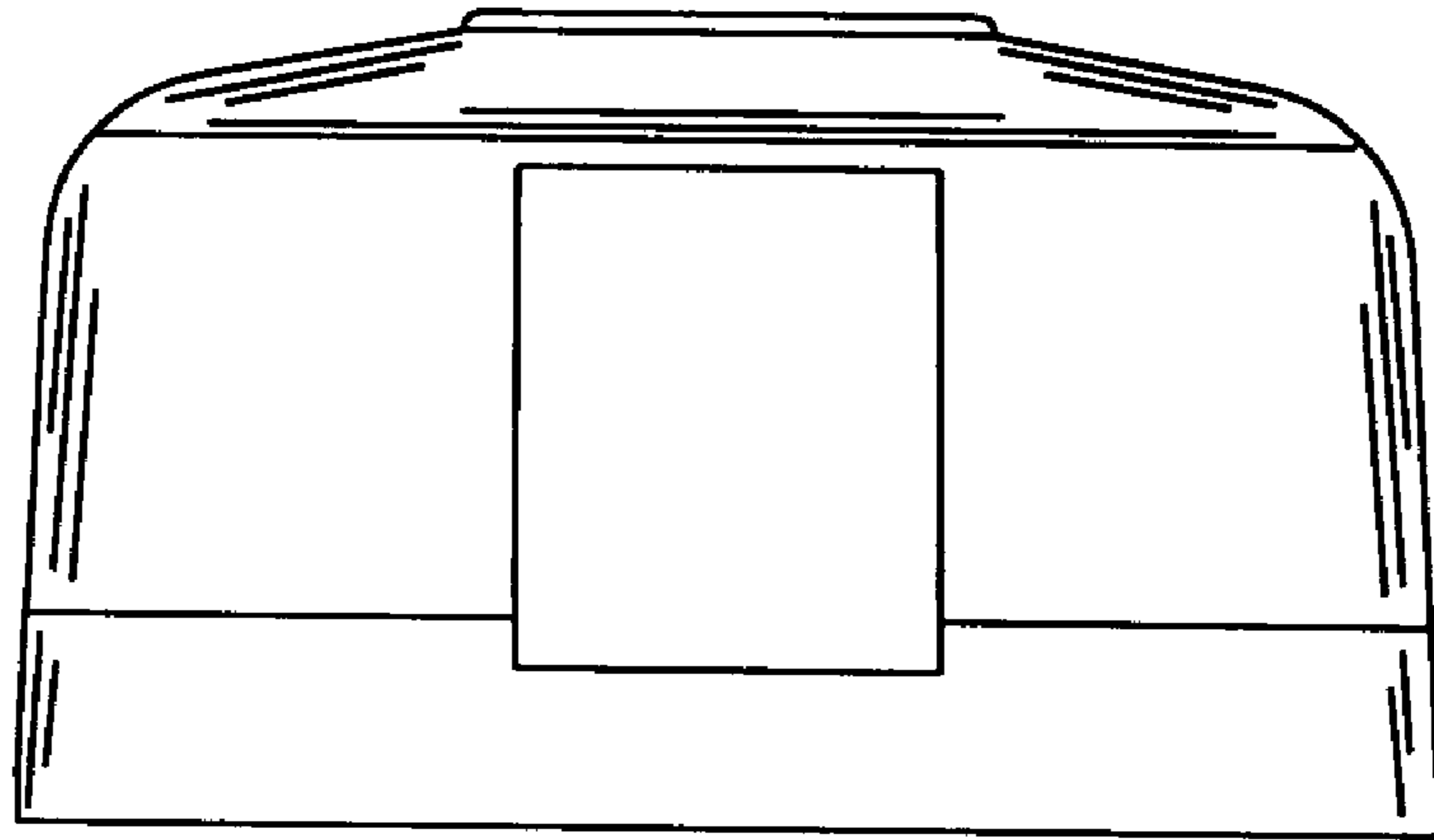


FIG. 4

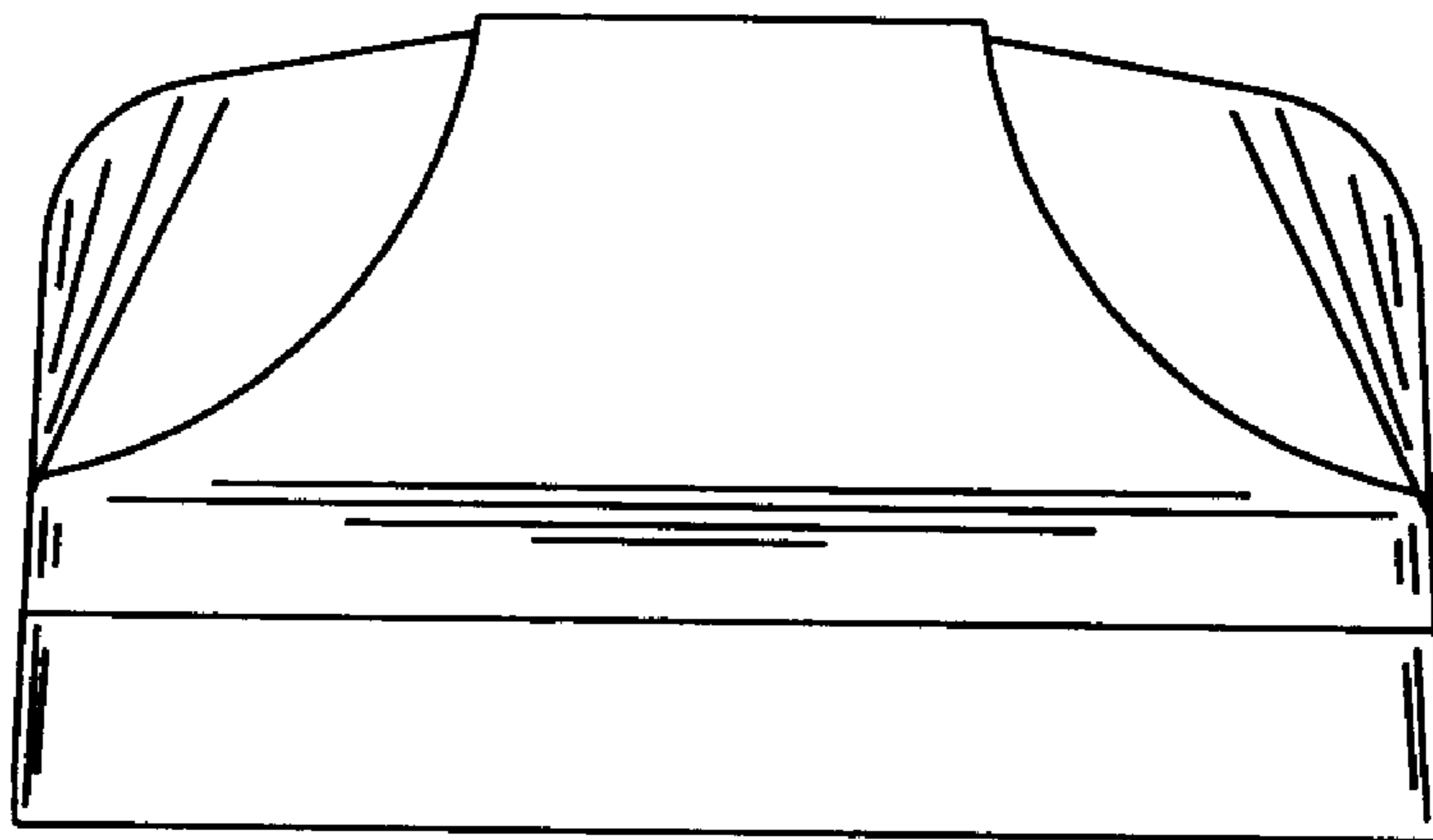


FIG. 5

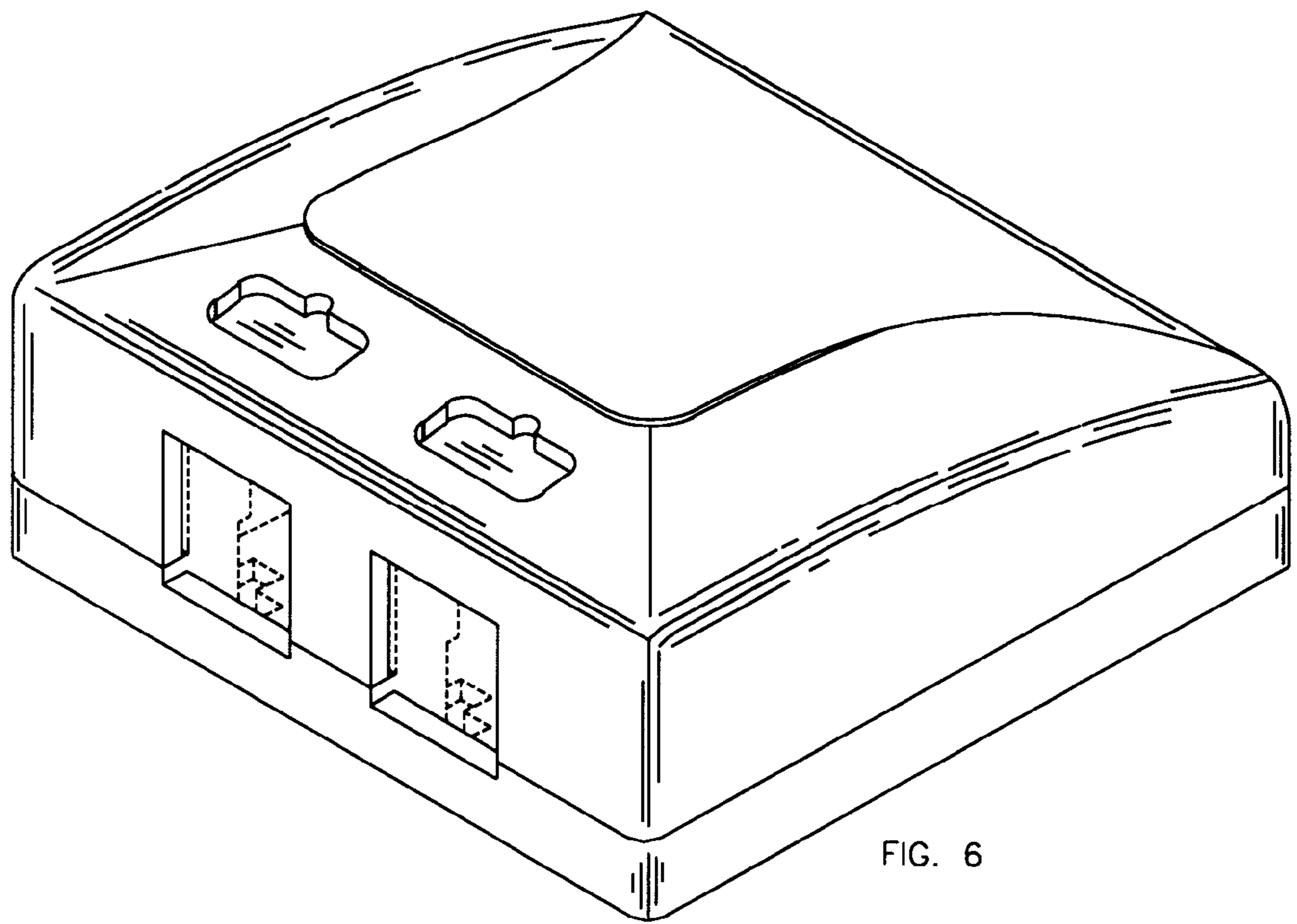


FIG. 6

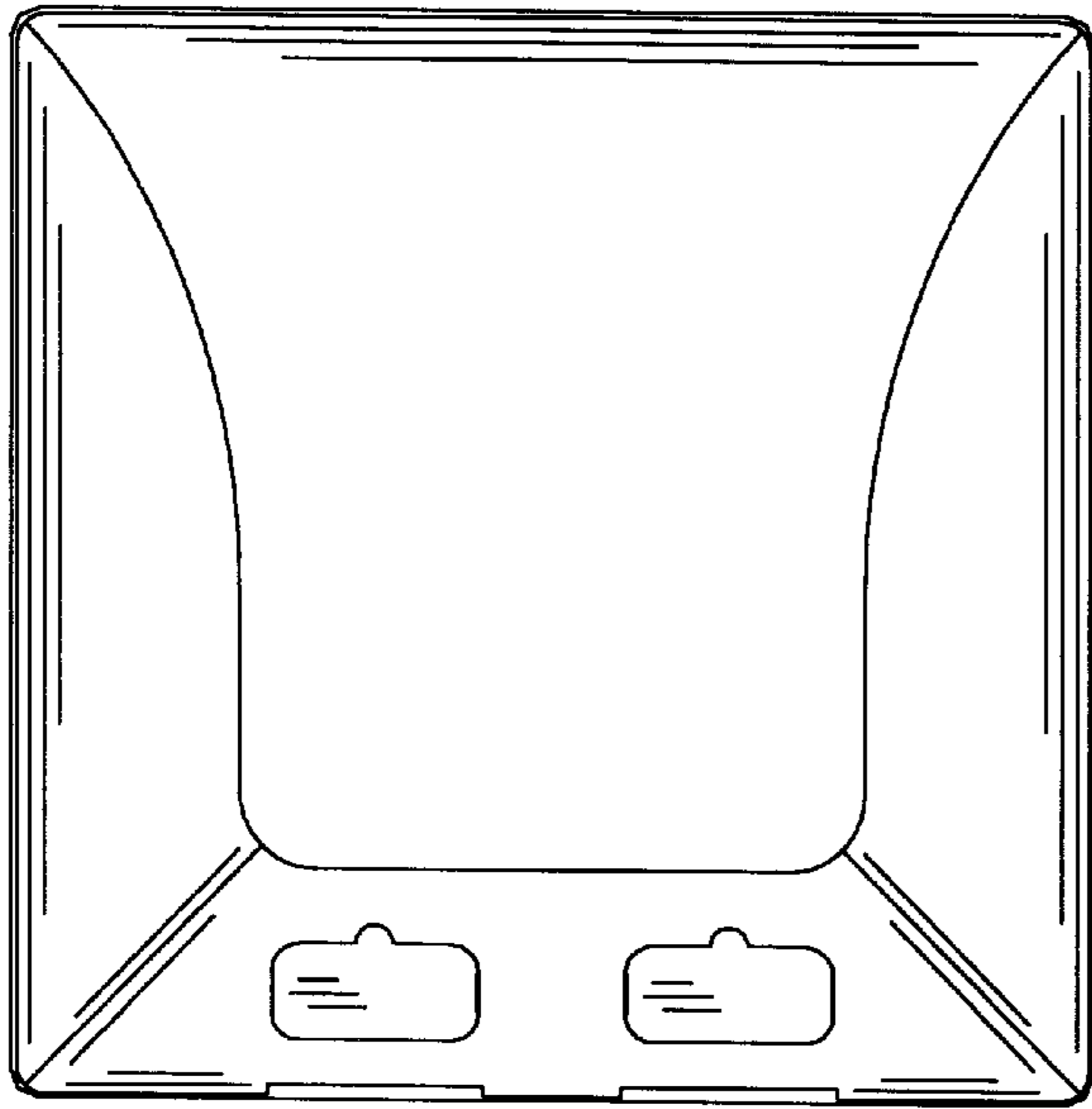


FIG. 7

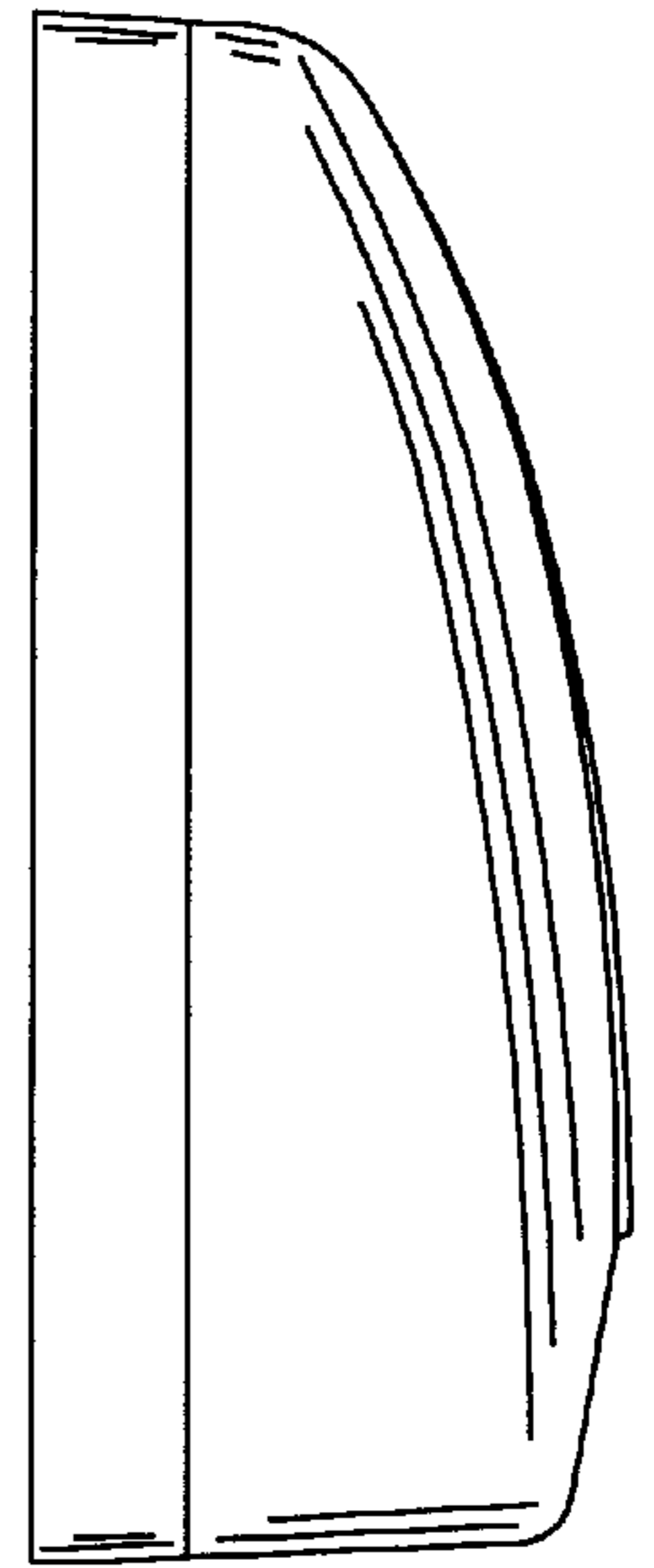


FIG. 8

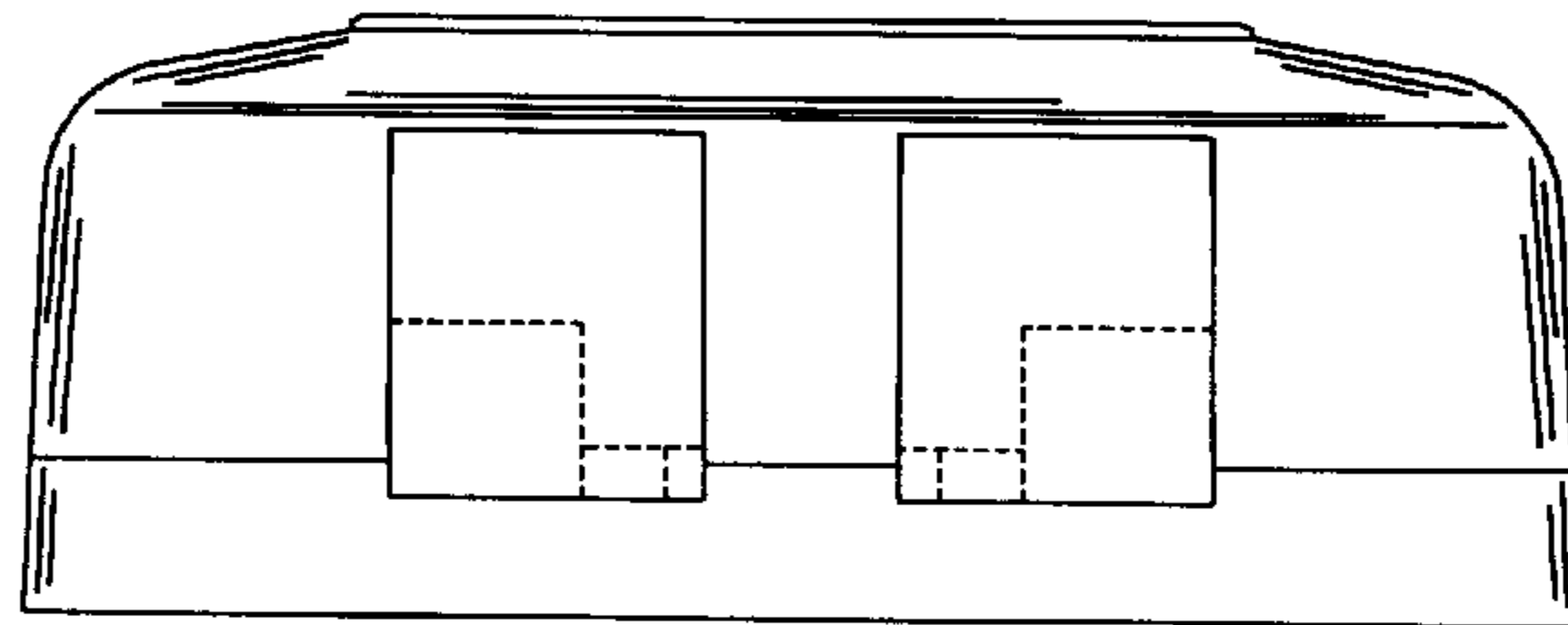


FIG. 9

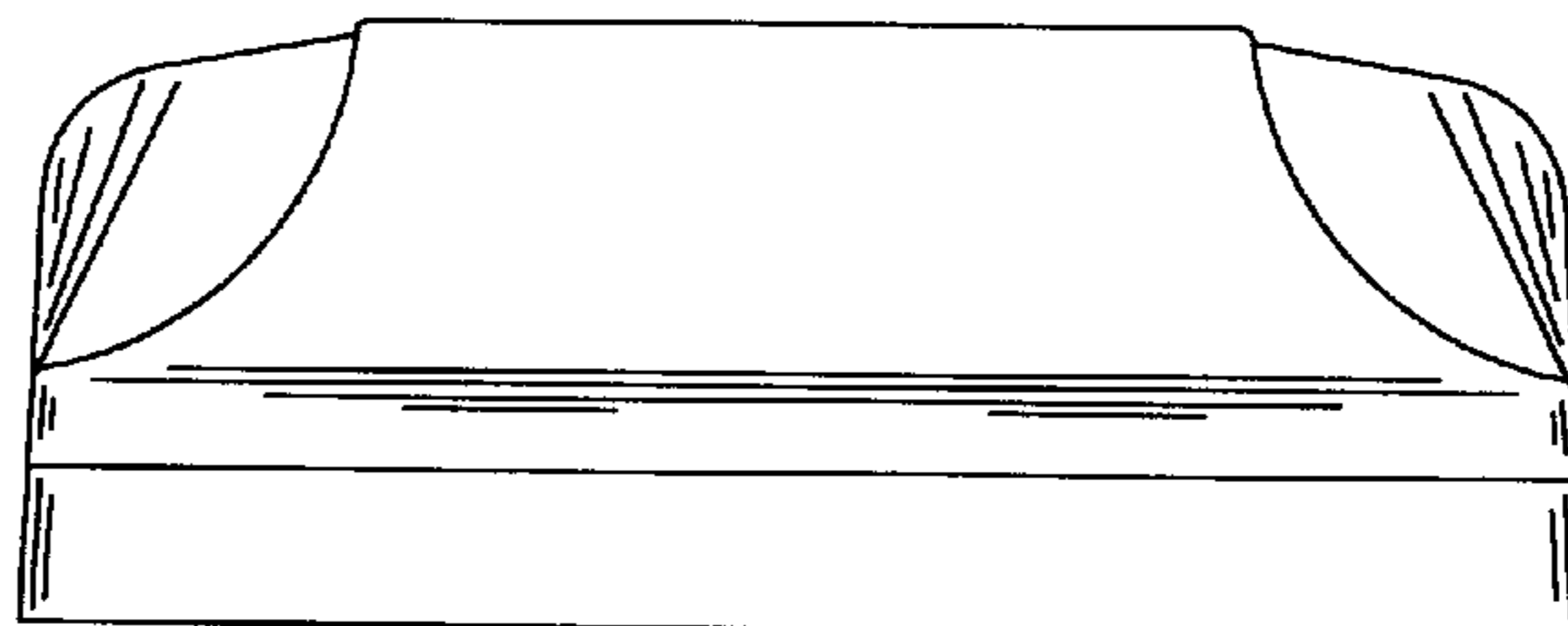


FIG. 10

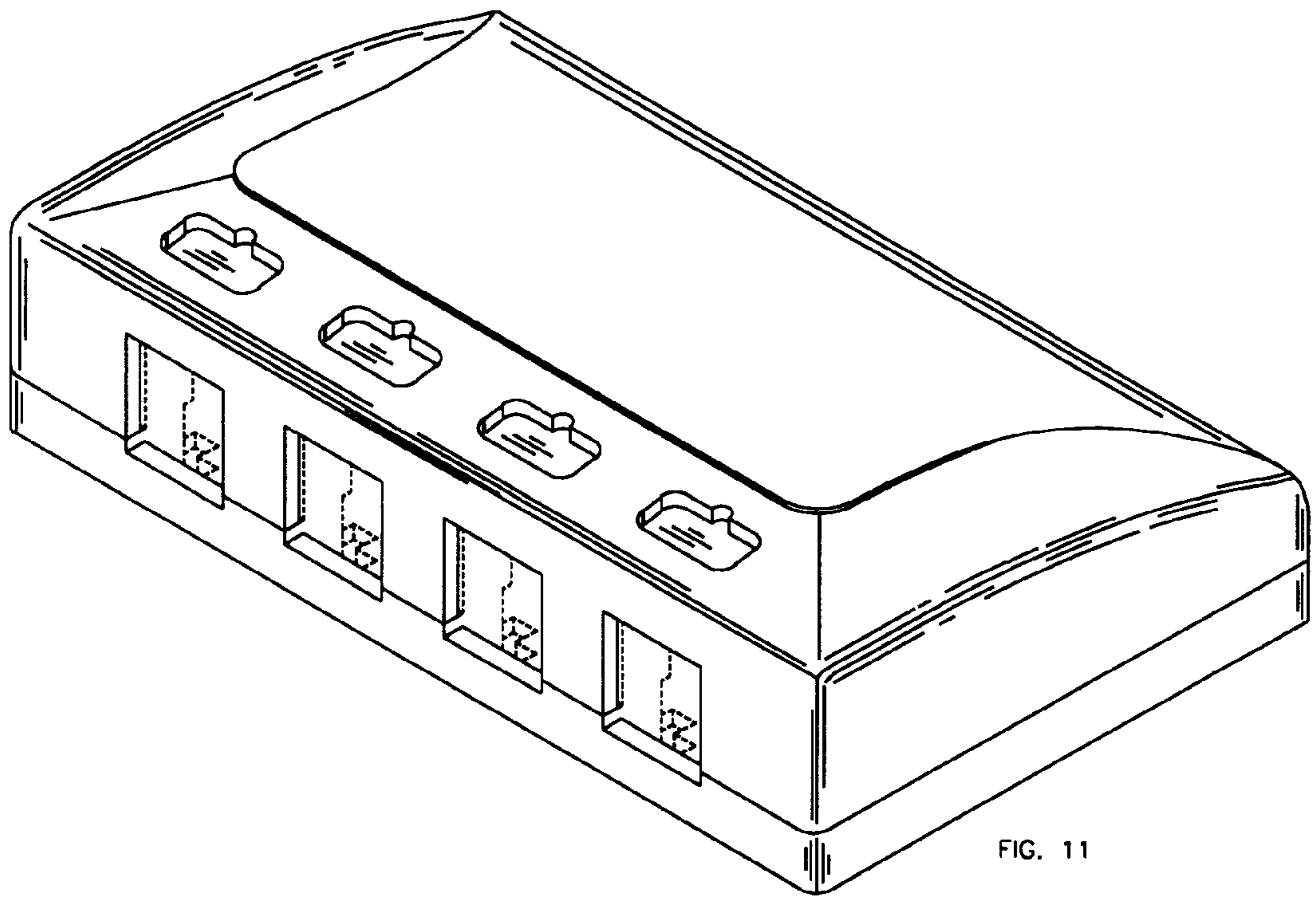


FIG. 11

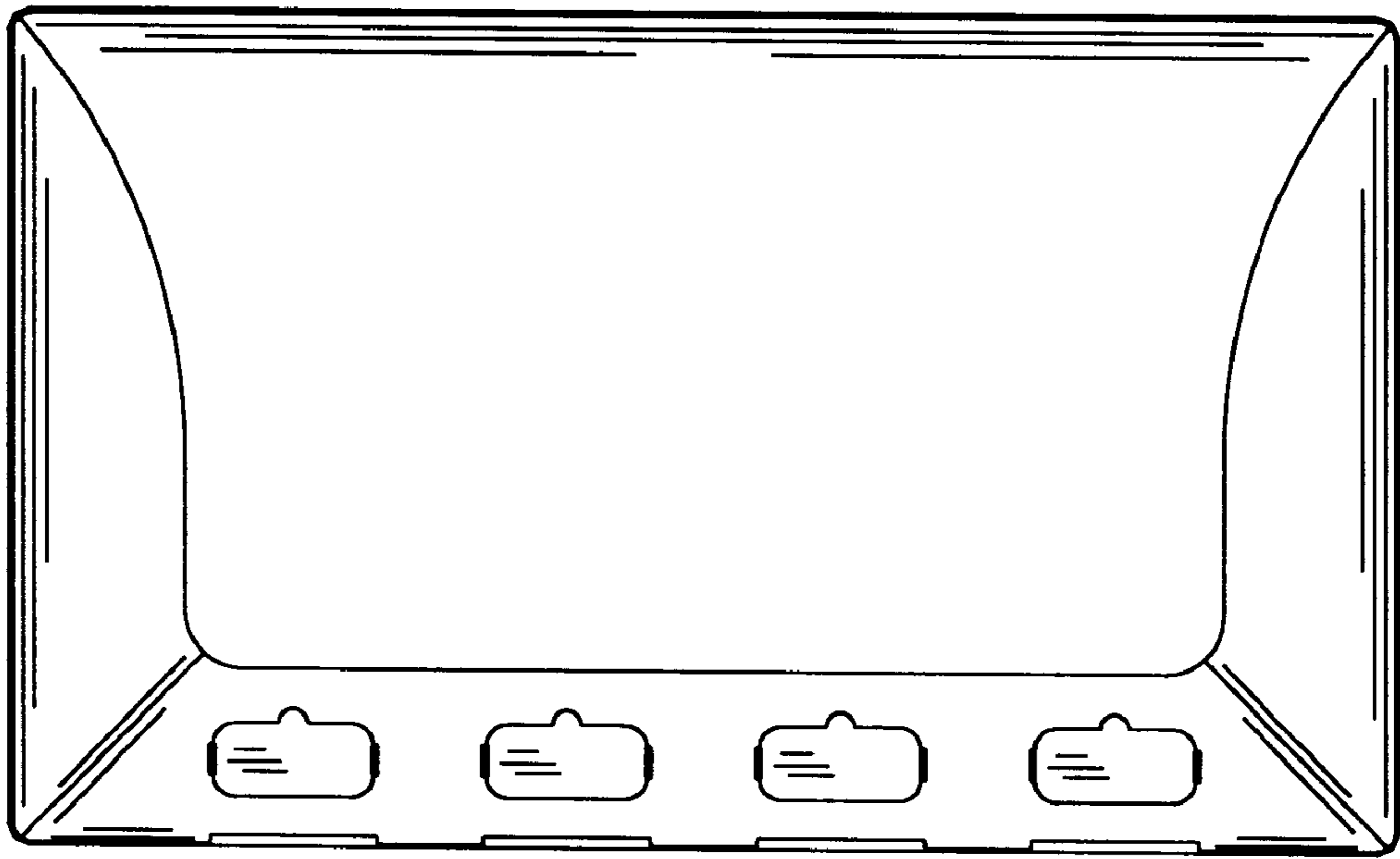


FIG. 12

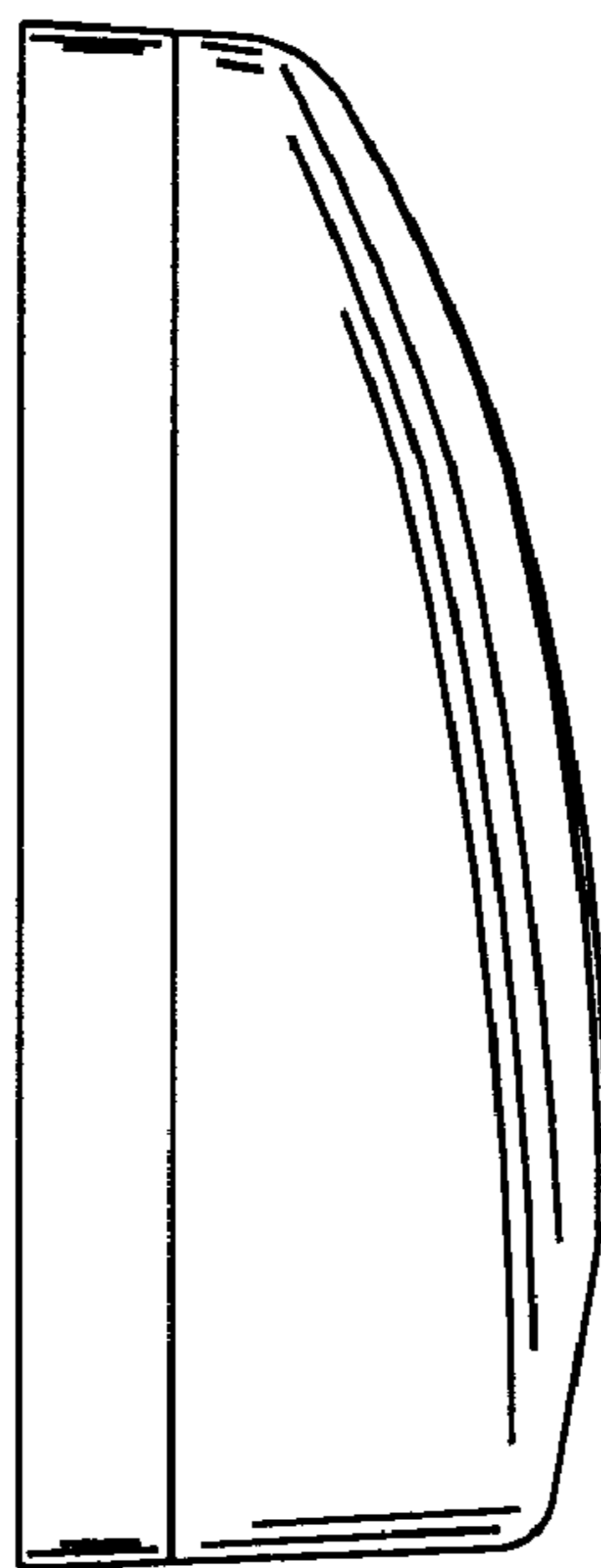


FIG. 13

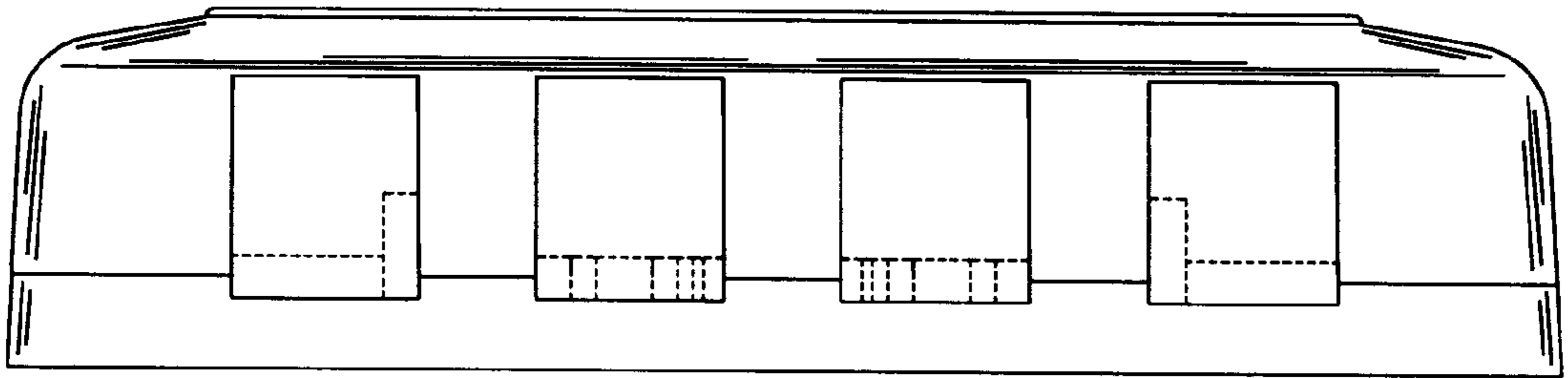


FIG. 14

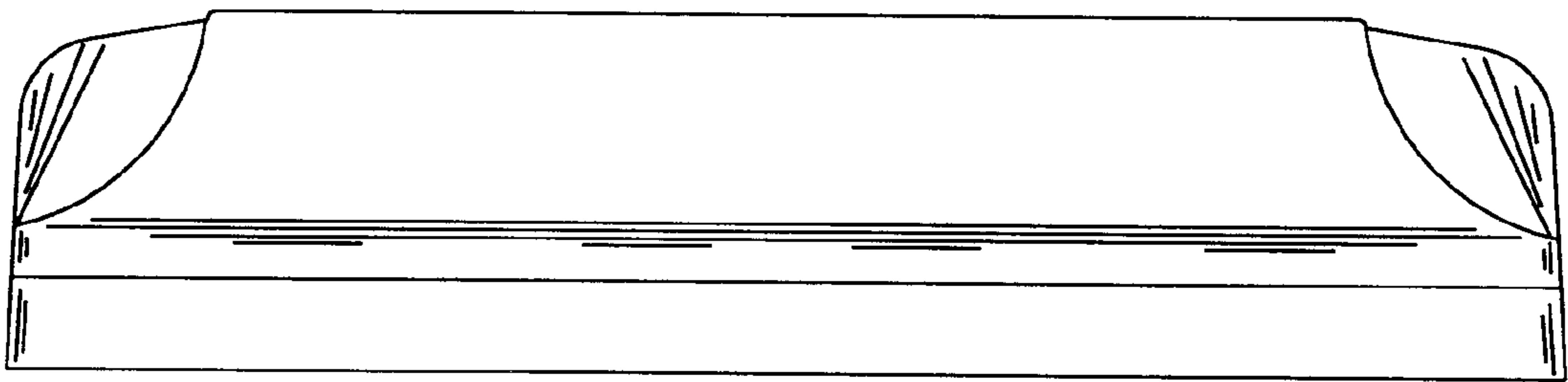


FIG. 15

UNITED STATES PATENT AND TRADEMARK OFFICE
CERTIFICATE OF CORRECTION

PATENT NO. : Des. 418,481
DATED : January 4, 2000
INVENTOR(S) : Mike H. Lin

It is certified that error appears in the above-identified patent and that said Letters Patent is hereby corrected as shown below:

In the Description, after "The broken line . . . forms no part of the claimed design." insert the following statement:

-- The appearance of the box as seen from the bottom forms no part of the claimed design. --

Signed and Sealed this
Twentieth Day of March, 2001



NICHOLAS P. GODICI

Attest:

Attesting Officer

Acting Director of the United States Patent and Trademark Office