



US00D418476S

United States Patent [19] Nickel

[11] **Patent Number: Des. 418,476**
[45] **Date of Patent: ** Jan. 4, 2000**

[54] **VEHICLE DECORATION**

[76] Inventor: **Terry E. Nickel**, P.O. Box 255,
Melrose, Wis. 54642

[**] Term: **14 Years**

[21] Appl. No.: **29/091,945**

[22] Filed: **Aug. 10, 1998**

[51] **LOC (7) Cl.** **12-16**

[52] **U.S. Cl.** **D12/400**

[58] **Field of Search** D12/199, 200,
D12/197, 400; 428/31; D11/157, 160, 99,
102, 81, 83, 211, 223, 232, 238, 240, 14,
30; D3/211; D24/155; D27/183

[56] **References Cited**

U.S. PATENT DOCUMENTS

- D. 198,458 6/1964 Scherer D12/199
- D. 242,786 12/1976 McAvin D12/199
- D. 251,620 4/1979 Samuels D27/183

- D. 252,541 8/1979 Harper D3/211
- D. 311,274 10/1990 Laury D3/211
- D. 313,370 1/1991 Steiner D11/102 X
- D. 330,185 10/1992 Spencer D12/200
- D. 360,720 7/1995 Drevo et al. D3/211 X
- D. 391,917 3/1998 Hicks, Jr. D12/400

Primary Examiner—Doris V. Coles
Assistant Examiner—Stacia Sinuik

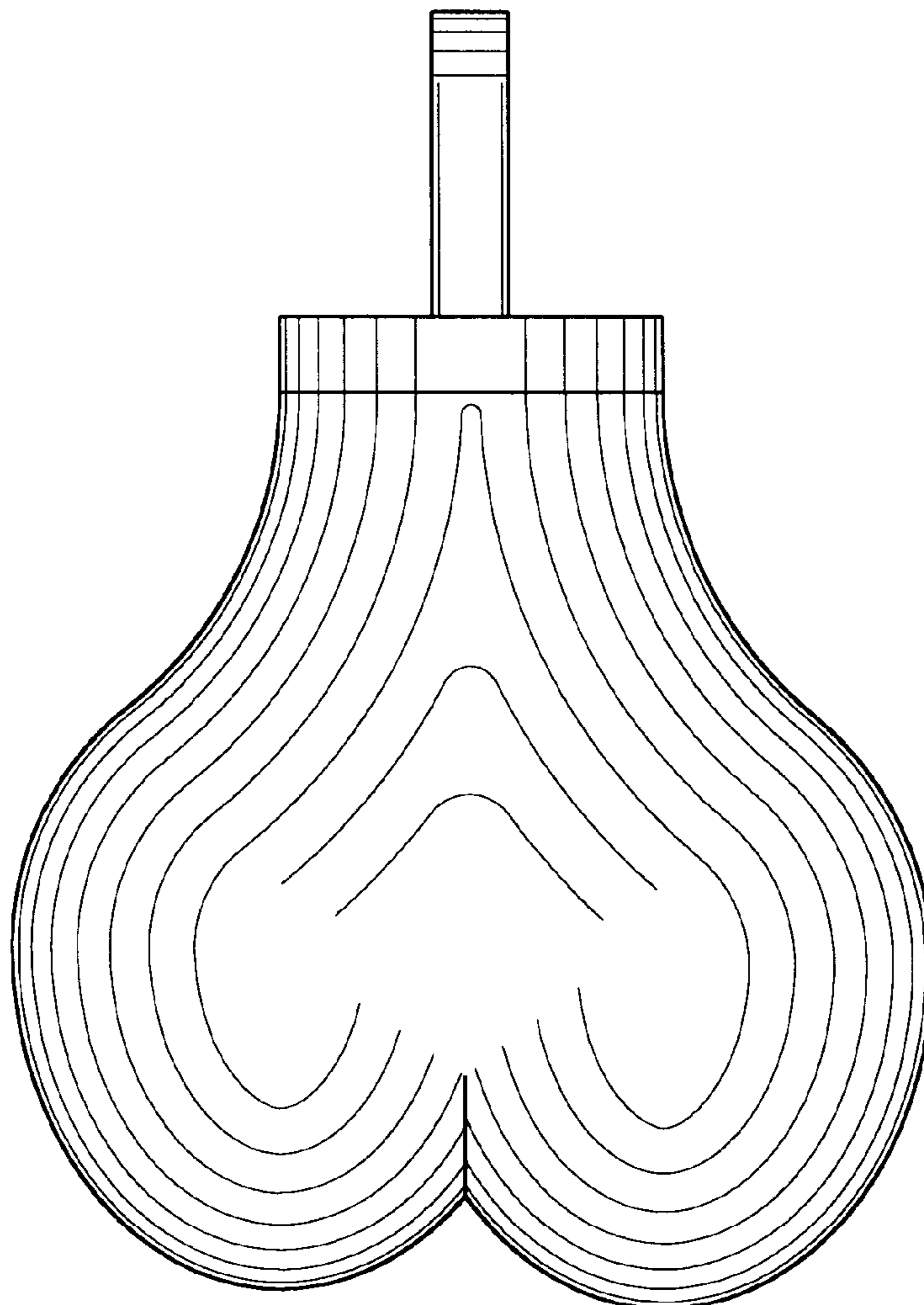
[57] **CLAIM**

The ornamental design for an vehicle decoration, as shown and described.

DESCRIPTION

FIG. 1 is front elevational view of the vehicle decoration showing my new design;
FIG. 2 is a rear elevational view thereof;
FIG. 3 is a right side view thereof;
FIG. 4 is a left side view thereof;
FIG. 5 is a top plan view thereof; and,
FIG. 6 is a bottom plan view thereof.

1 Claim, 3 Drawing Sheets



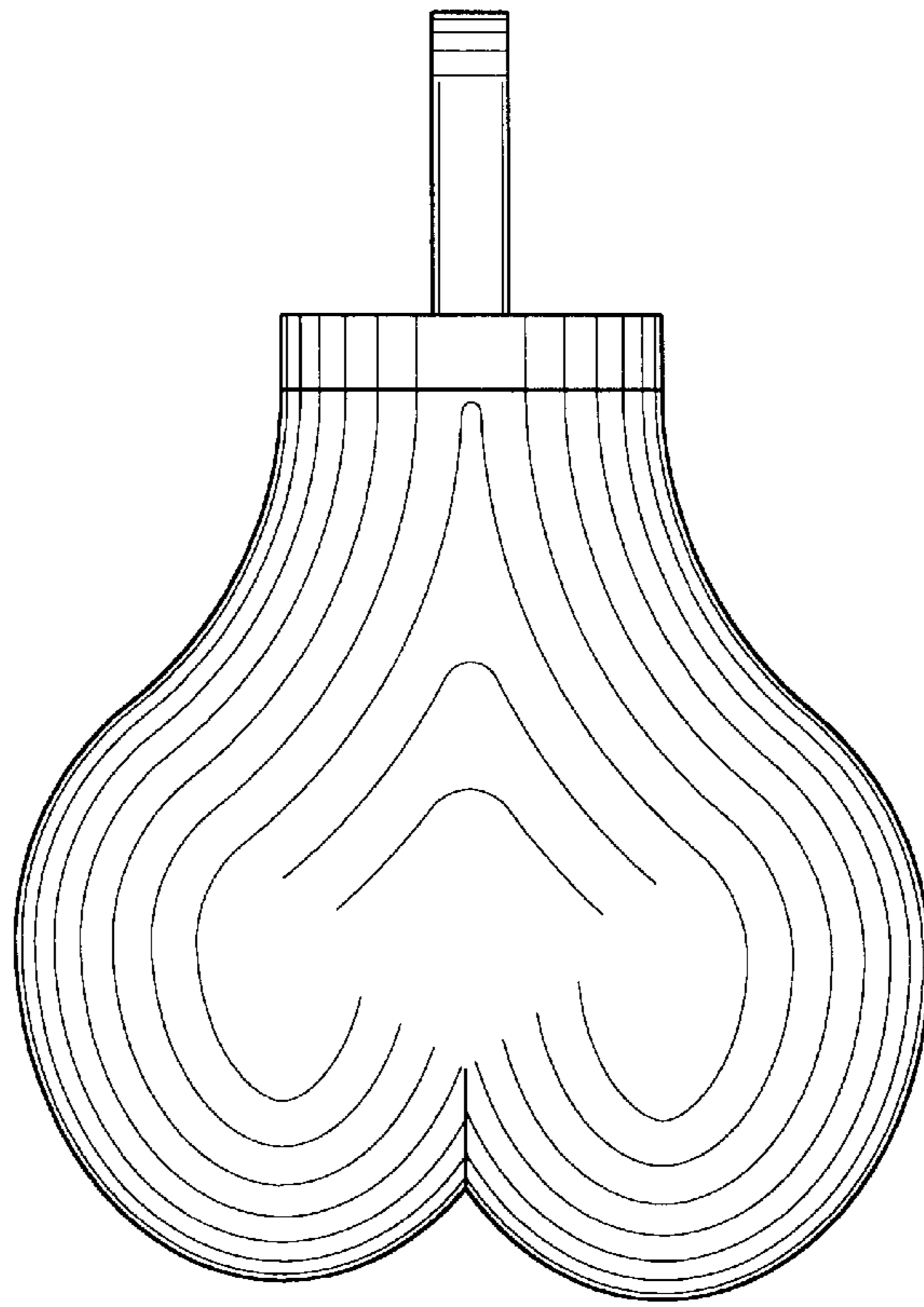


Fig. 1

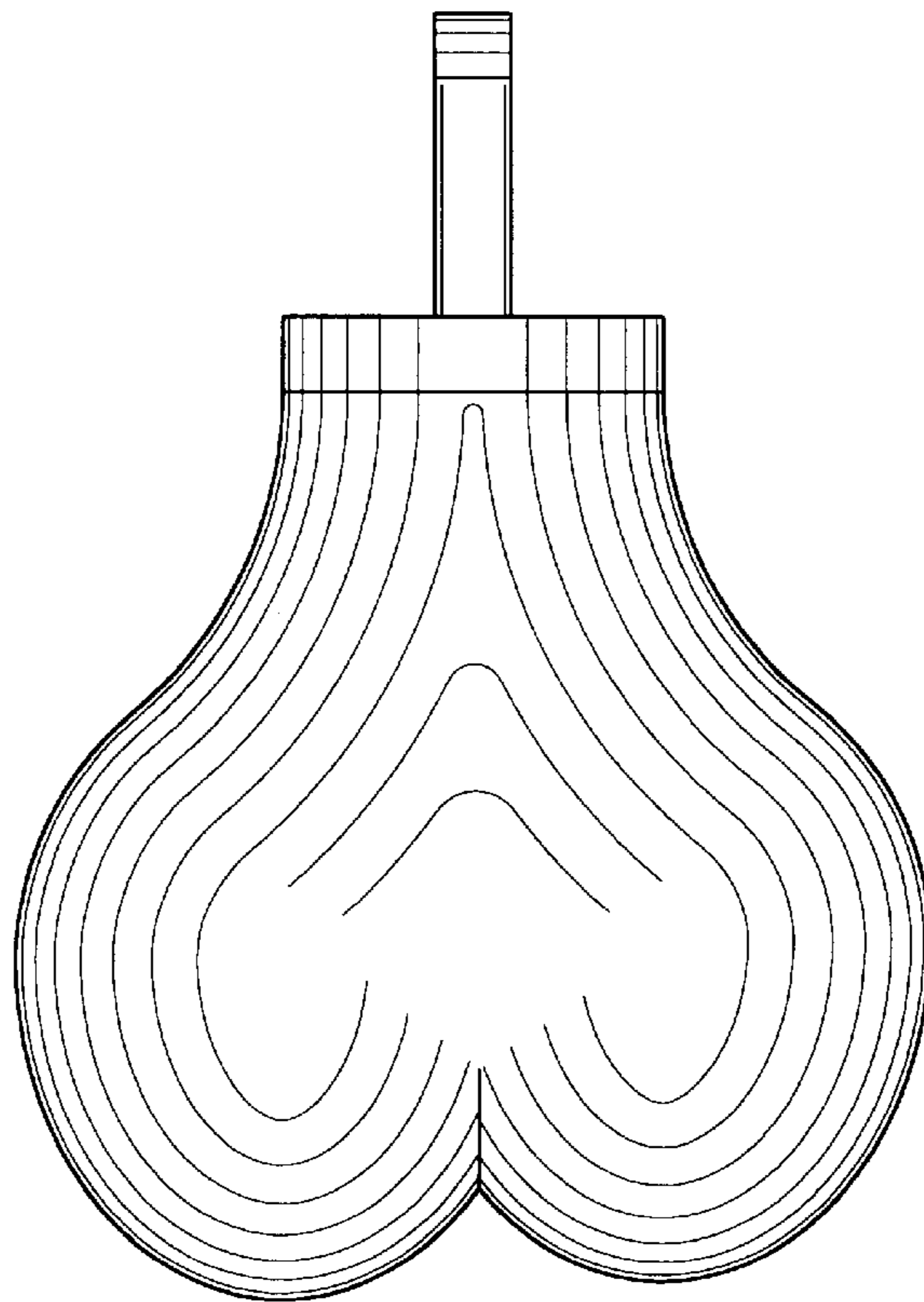


Fig. 2

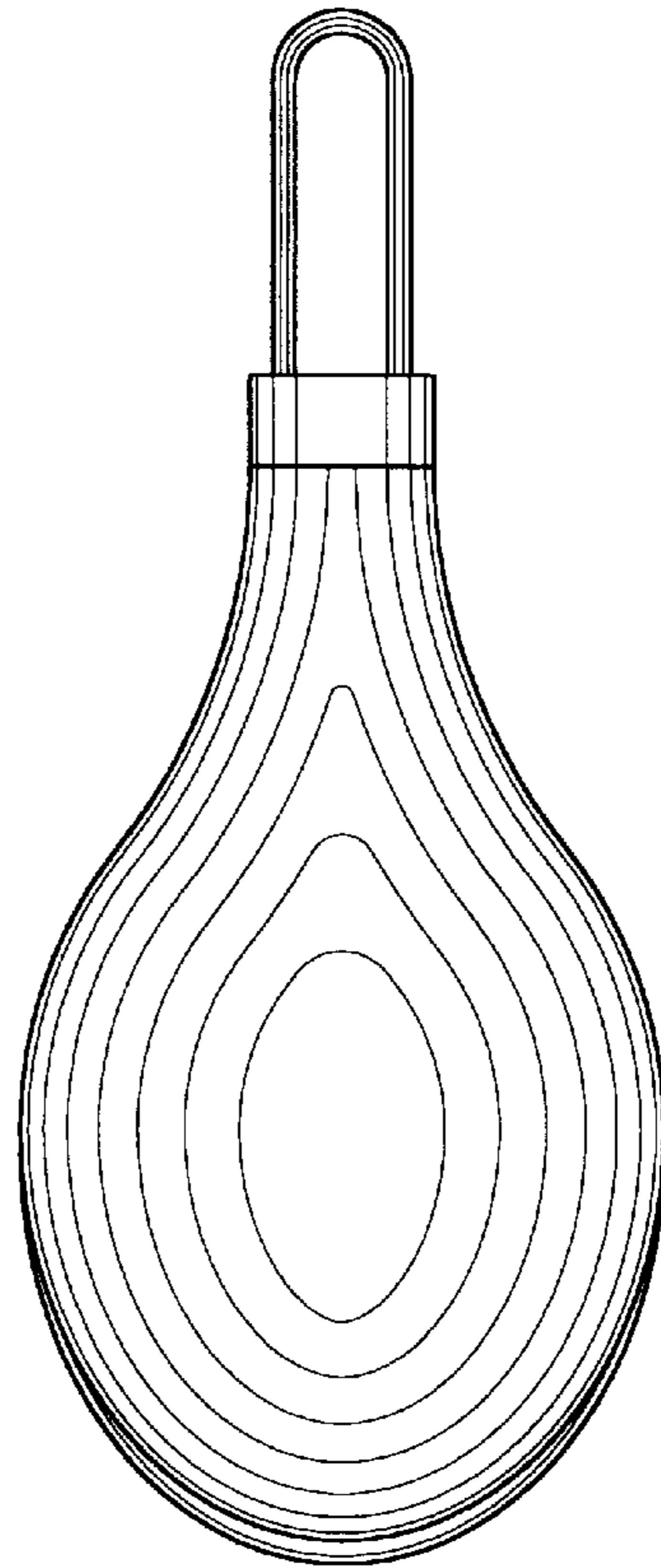


Fig. 3

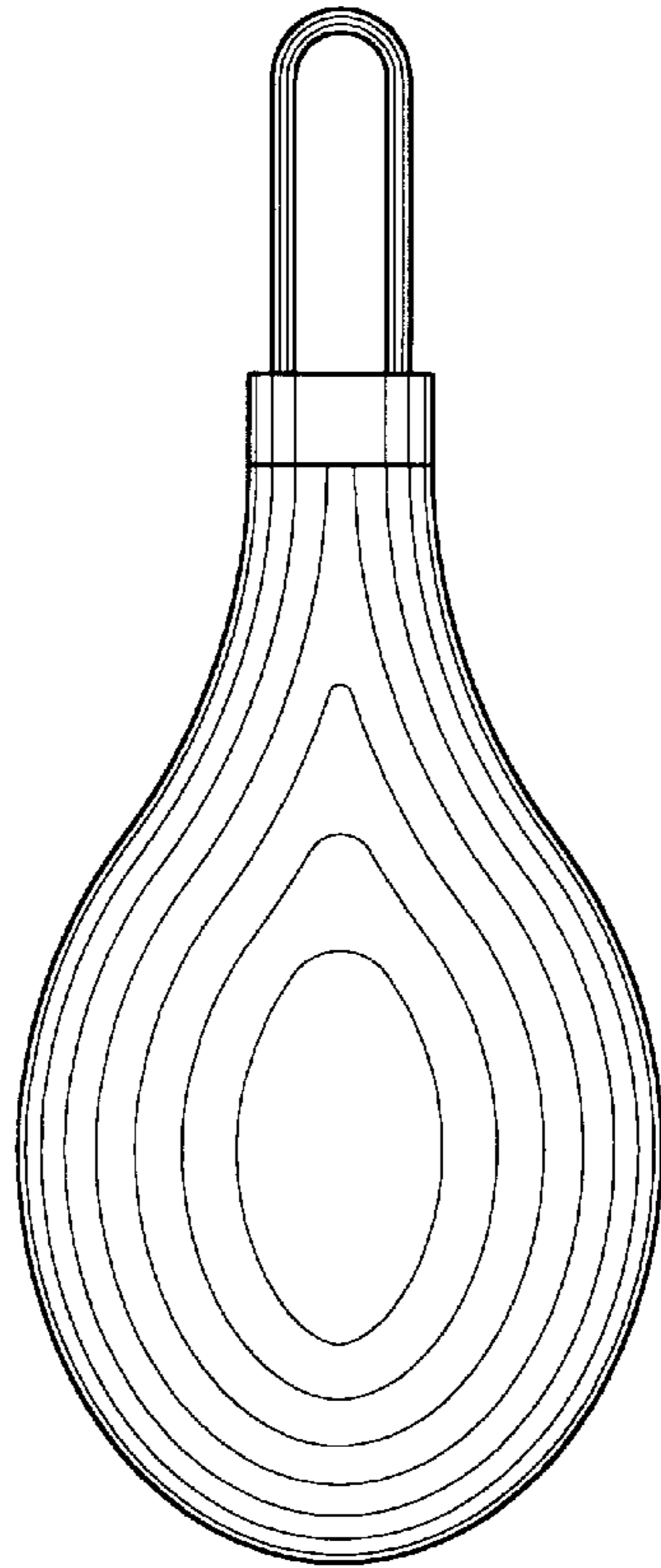


Fig. 4

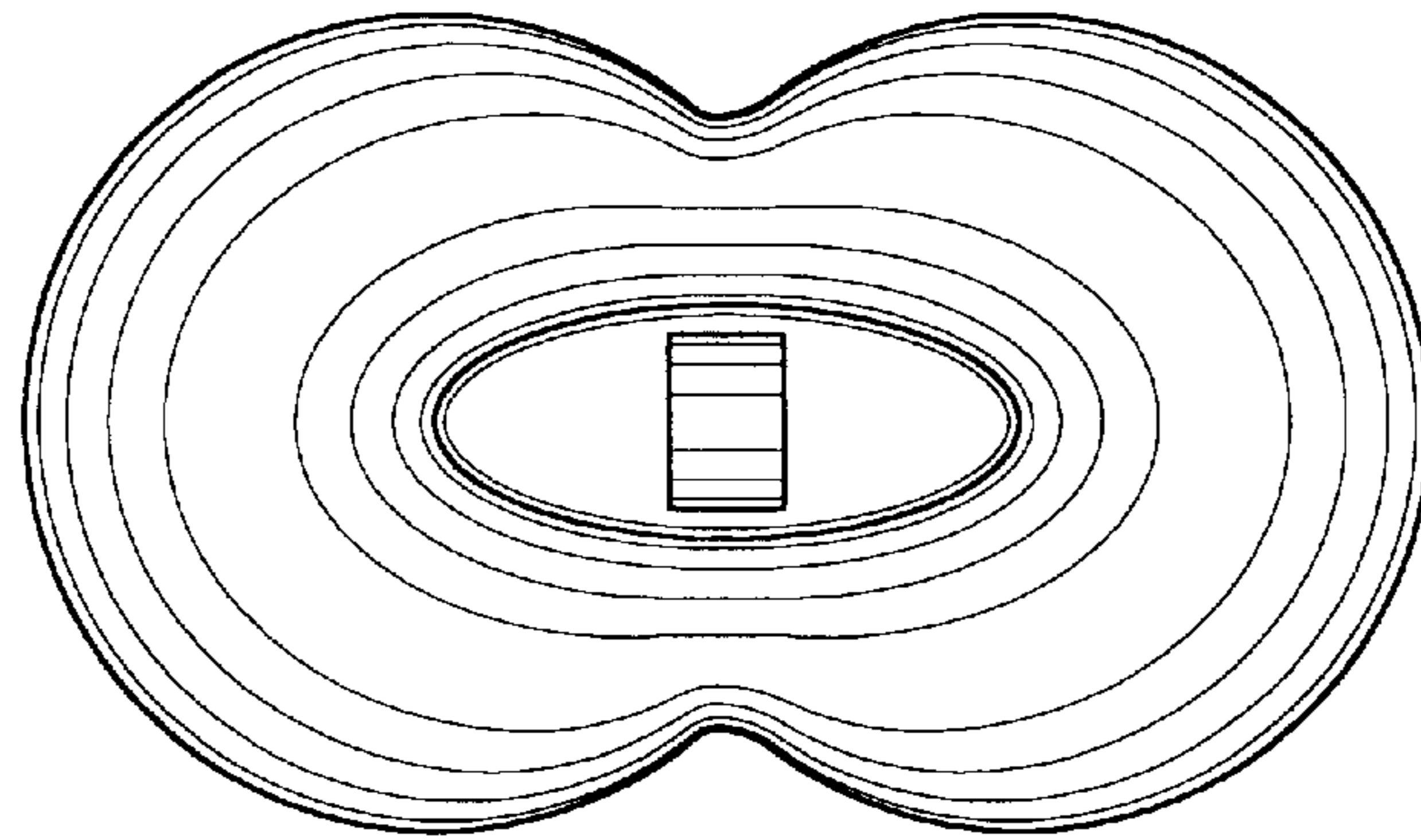


Fig. 5

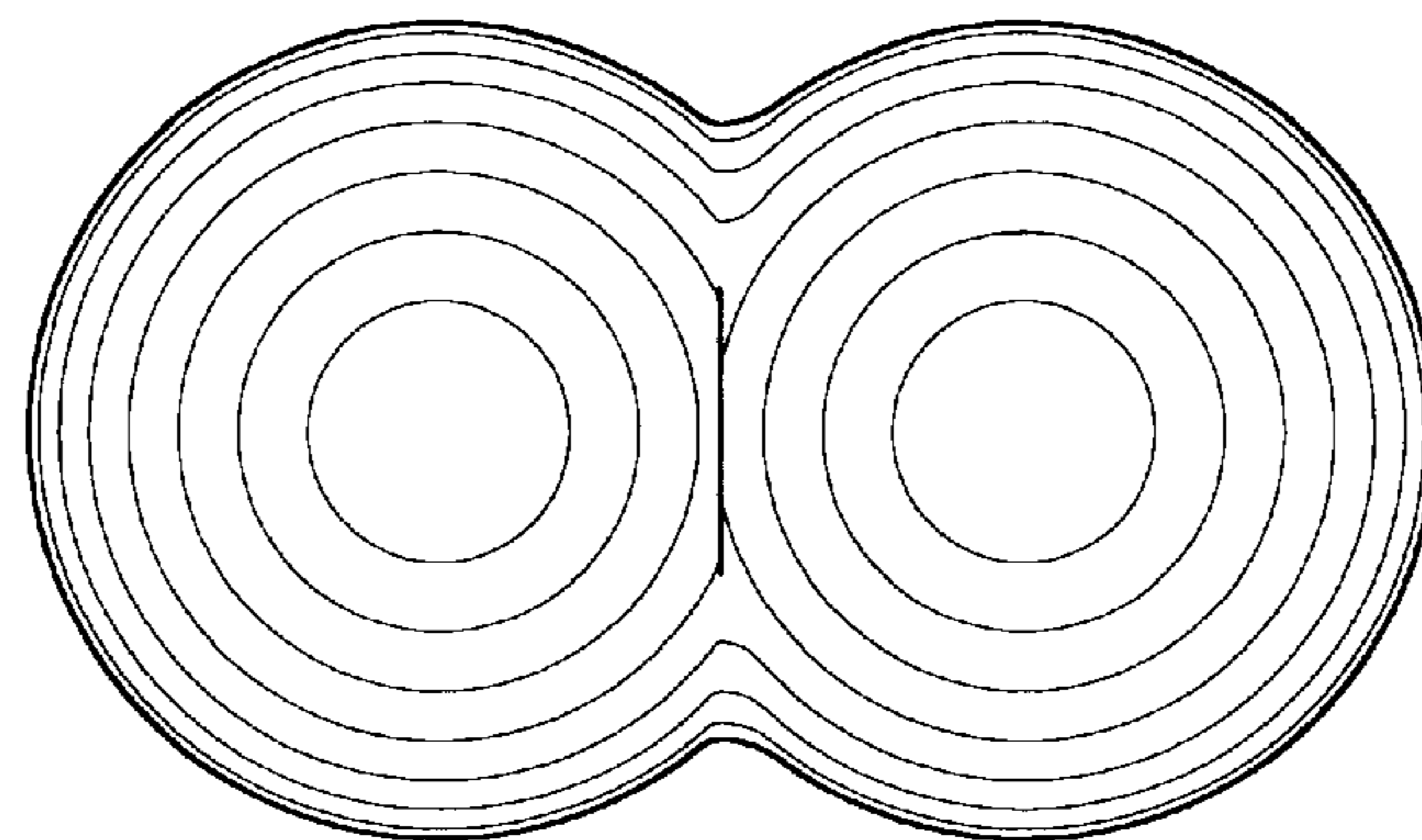


Fig. 6