



US00D418474S

United States Patent [19]

[11] Patent Number: Des. 418,474

Witek et al.

[45] Date of Patent: ** Jan. 4, 2000

[54] WINDSHIELD WIPER BLADE CONNECTOR

[75] Inventors: **James Patrick Witek**, Michigan City; **Richard Allen Herring**, Granger; **Alan Jeffrey Stahlhut**, Valparaiso; **William Arthur Powell**, Winamac, all of Ind.

[73] Assignee: **Cooper Automotive Products, Inc.**, Houston, Tex.

[**] Term: **14 Years**

[21] Appl. No.: **29/092,973**

[22] Filed: **Aug. 28, 1998**

Related U.S. Application Data

[62] Division of application No. 29/062,757, Nov. 22, 1996, Pat. No. Des. 404,354.

[51] **LOC (7) Cl.** **12-06**

[52] **U.S. Cl.** **D12/220**

[58] **Field of Search** D12/219, 220;
15/250.05, 250.07, 250.31-250.33, 250.351,
250.361, 250.38, 250.4-250.41, 250.42

[56] References Cited

U.S. PATENT DOCUMENTS

D. 353,358	12/1994	Lee	D12/220
D. 353,359	12/1994	Lee	D12/220
D. 357,891	5/1995	Lee	D12/220
D. 395,271	6/1998	Kim	D12/220
3,408,680	11/1968	Heller	15/250.42
3,641,614	2/1972	Newsome	15/250.32

(List continued on next page.)

FOREIGN PATENT DOCUMENTS

329515	8/1989	European Pat. Off.	15/250.32
2377302	9/1978	France	15/250.32
3222891	12/1983	Germany	15/250.32
611563	6/1979	Switzerland	15/250.32

OTHER PUBLICATIONS

“Wiper Blade—Fits Most Import & Domestic Cars and Light Trucks,” Saver, Stk No. 10-182 (xerox copy of product), purchased Jul., 1997.

Drawings of connector included with reference AQ, purchased Jul., 1997.

Cooper Industries, Anco Division, “Heavy Duty Premium Wiper Blades—Removal”, No. G86024 (No Date).

Cooper Industries, Anco Division, “Removal and Installation Instructions—Anco Medium and Heavy Duty Windshield Wiper Arms” (No Date).

Cooper Industries, Anco Division, “Anco Instructions—Removal—25-16-25-24, 31-17, 31-19, 90-16-90-22A,” No. 85360A No Date.

Cooper Industries, Anco Division, “Anco Instructions—Installation—20-11, 33-18,” No. 85374 (1995).

Cooper Industries, Anco Division, “Anco Instructions—Removal—22-18, 25-12, 25-15, 31-12,” No. 85357A (No Date).

Cooper Industries, Anco Division, “Adaptor Kit #2—Installation—TY-16313,” No. G86027 (No Date).

Cooper Industries, Anco Division, “Heavy Duty Premium Wiper Blades—Installation,” No. G86034 (No Date).

Cooper Industries, Anco Division, “Instructions—Removal—Installation—N-16R-N-21R” (1994).

Cooper Industries, Anco Division, “Anco Instructions—Removal—Pin In Arm—Hookslot Arm,” No. G85441 (No Date).

(List continued on next page.)

Primary Examiner—Doris V. Coles

Assistant Examiner—Stacia Sinuik

Attorney, Agent, or Firm—Fish & Richardson P.C.

[57] CLAIM

The ornamental design for a windshield wiper blade connector, as shown and described.

DESCRIPTION

FIG. 1 is a perspective view of a windshield wiper blade connector showing our new design;

FIG. 2 is a side elevational view thereof;

FIG. 3 is a side elevational view thereof opposite that shown in FIG. 2;

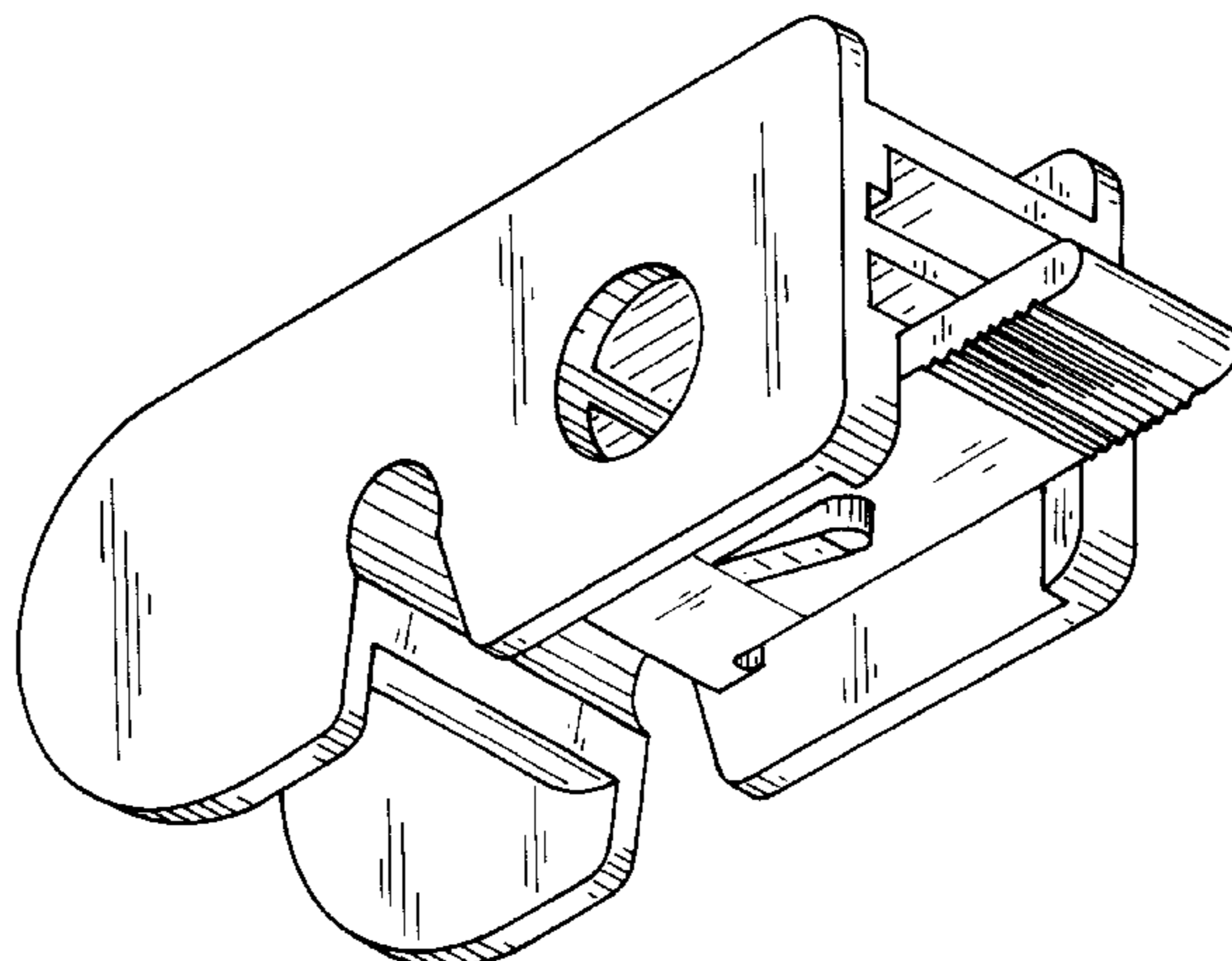
FIG. 4 is a front elevational view thereof;

FIG. 5 is a rear elevational view thereof;

FIG. 6 is a top plan view thereof; and,

FIG. 7 is a bottom plan view thereof.

1 Claim, 3 Drawing Sheets



U.S. PATENT DOCUMENTS

3,942,212	3/1976	Steger et al.	15/250.42
4,023,232	5/1977	Smithers	15/250.32
4,127,912	12/1978	Deibel et al.	15/250.42
4,179,766	12/1979	Weiler et al.	15/250.32
4,290,164	9/1981	van der Berg	15/250.32
4,296,521	10/1981	Mower	15/250.32
4,343,062	8/1982	van den Berg	15/250.32
4,443,907	4/1984	Chamberlain	15/250.32
4,578,839	4/1986	Nishikawa	15/250.32
4,878,263	11/1989	Raymond	15/250.32
4,949,422	8/1990	Bauer et al.	15/250.32
5,070,573	12/1991	Journee et al.	15/250.32
5,084,933	2/1992	Buechele	15/250.32
5,136,748	8/1992	Naruke et al.	15/250.32
5,168,597	12/1992	Schon et al.	15/250.32
5,289,608	3/1994	Kim	15/250.32
5,332,328	7/1994	Yang	403/154
5,392,487	2/1995	Yang	15/250.32
5,435,041	7/1995	Ho	15/250.32
5,606,765	3/1997	Ding	15/250.32
5,611,103	3/1997	Lee	15/250.32
5,618,124	4/1997	Chen	15/250.32 X
5,632,059	5/1997	Lee	15/250.32

OTHER PUBLICATIONS

Cooper Industries, Anco Division, "Anco Instructions—Installation—25-16-24-24, 31-17, 31-19, 90-16-90-22A," No. 85360A (No Date).

Cooper Industries, Anco Division, "Instructions—T Series—Removal—Installation," No. 86001 (1995).

Cooper Industries, Anco Division, "Instructions—U15R—U24R—Removal—Installation," No. G85370B (1995).

Cooper Industries, Anco Division, "Anco Instructions—29-16-29-24, 31-15-35-18—Removal," No. 85359 (No Date).

Cooper Industries, Anco Division, "Installation—17" and 18" Blade, 20" Blade," No. 85320 (No Date).

Cooper Industries, Anco Division, "Anco Instructions—N-22R & N-24R—Removal," No. 85372A (No Date).

Cooper Industries, Anco Division, "Anco Instructions—Removal—Pin in Arm—Hookslot Arm," No. G85441 (No Date).

Cooper Industries, Anco Division, "Rainy Day Instructions—RDB16—RDB19—Removal," No. 85393 (No Date).

Cooper Industries, Anco Division, "Rainy Day Instructions—Removal—Installation—Anco Advantage & TRICO, Tridon, Bosch II," No. 85363 (1994).

Cooper Industries, Anco Division, "Pantograph Arms— $\frac{1}{4}$ -28 Screw Shaft— $\frac{1}{2}$ Inch and $\frac{5}{8}$ Inch Serrated Drum Shaft Arm—Universal Adjustable Wiper Arms," No. 94121 (Mar. 1992).

Cooper Industries, Anco Division, "Anco Instructions—Removal—20-11, 33-18," No. 85374 (No Date).

Cooper Industries, Anco Division, "Anco Instructions—Installation—22-18, 25-12-25-15, 31-12," No. 85357A (1995).

Cooper Industries, Anco Division, "Anco Instructions—Removal—22-18, 22-20, 25-12-25-15, 31-12," No. 85357B (No Date).

Cooper Industries, Anco Division, "Anco Instructions—Installation—22-18, 22-20, 25-12-25-15, 31-12," No. 85357B (No Date).

Cooper Industries, Anco Division, "Anco Instructions—Installation—22-18, 22-20, 25-12-25-15, 31-12," No. 85357B (No Date).

Cooper Industries, Anco Division, "Anco Instructions—Installation—29-16-29-24, 30-15-30-18," No. 85359 (No Date).

Cooper Industries, Anco Division, "Instructions—N Series—Removal—Installation," No. 86000 (1994).

Cooper Industries, Anco Division, "Instructions—11-13-11-22—Removal—Installation," No. 85365A (1994).

Cooper Industries, Anco Division, "Installation—Audi, Saturn, Bosch, N-22R" (1994).

Cooper Industries, Anco Division, "Rainy Day Instructions—Installation—RDB16—RDB19," No. 85393 (1994). "Installation," No. V-5912-44 (No Date).

Cooper Industries, Anco Division, "Heavy Duty Premium Wiper Blades—Installation—25-17, 31-17, 31-19, 90-17, 90-19," No. G86024 (No Date).

Instructions for blade collar, straight arm, hook slot (7 or 9mm), straight arm with screws, female arm (no pin), and male arm with $\frac{1}{4}$ " pin (No Date).

Instructions for male arm with $\frac{3}{16}$ " diameter pin, straight arm, hook slot (7 or 9 mm), straight arm with screws, female arm (no pin), and male arm with $\frac{1}{4}$ " pin (No Date).

NAPA Windshield Products, instructions for removal and installation of wiper blades, No. 5674-6 (1993) (U.S. Patent 4,127,912).

Instructions for installation of small side pin attachment, large side pin attachment and hook attachment to World Class™ wiper blades (No Date).

Tridon, instruction sheet regarding U.S. Patent Nos. 3,942, 212 and 3,408,680 (No Date).

Tridon, instructions for All Season™ 15"-18"/380-460mm and 17"/430mm wiper blades (No Date).

Instructions for AEROFOIL wiper blades, #3083024 (No Date).

NAPA Windshield Products, removal and installation instructions for 16" wiper blades, No. 5673-6 (Mar. 1993) (U.S. Patent 4,127,912).

Instructions for 21"/540 mm-24"/610mm wiper blades (No Date).

Lifetime Automotive Products, Triplede™ Lifetime Wipers removal and installation instructions for hook arm, side saddle arm, pin arm and bayonet arm wiper blades (No Date).

Removal and installation instructions for wiper blades, No. V-5912-27 (Nov. 1992).

Removal instructions for wiper blades, No. V-6000-5 (No Date).

Removal instructions for wiper blades, No. V-5912-27 (No Date).

Instructions for installation of small side pin attachment large side pin attachment and hook attachment to World Class™ wiper blades (No Date).

Lifetime Automotive Products, Triplede™ All Season Premium Silicone Wipers removal and installation instructions for side saddle arm, bayonet arm, pin arm and hook arm wiper blades (No Date).

Instructions for installation of wiper blade onto wiper arm, No. V-6000-4 (No Date).

Robert Bosch GmbH, instructions for installation of wiper blades (No Date).

Robert Bosch GmbH, instructions for installation of wiper blades (No Date).

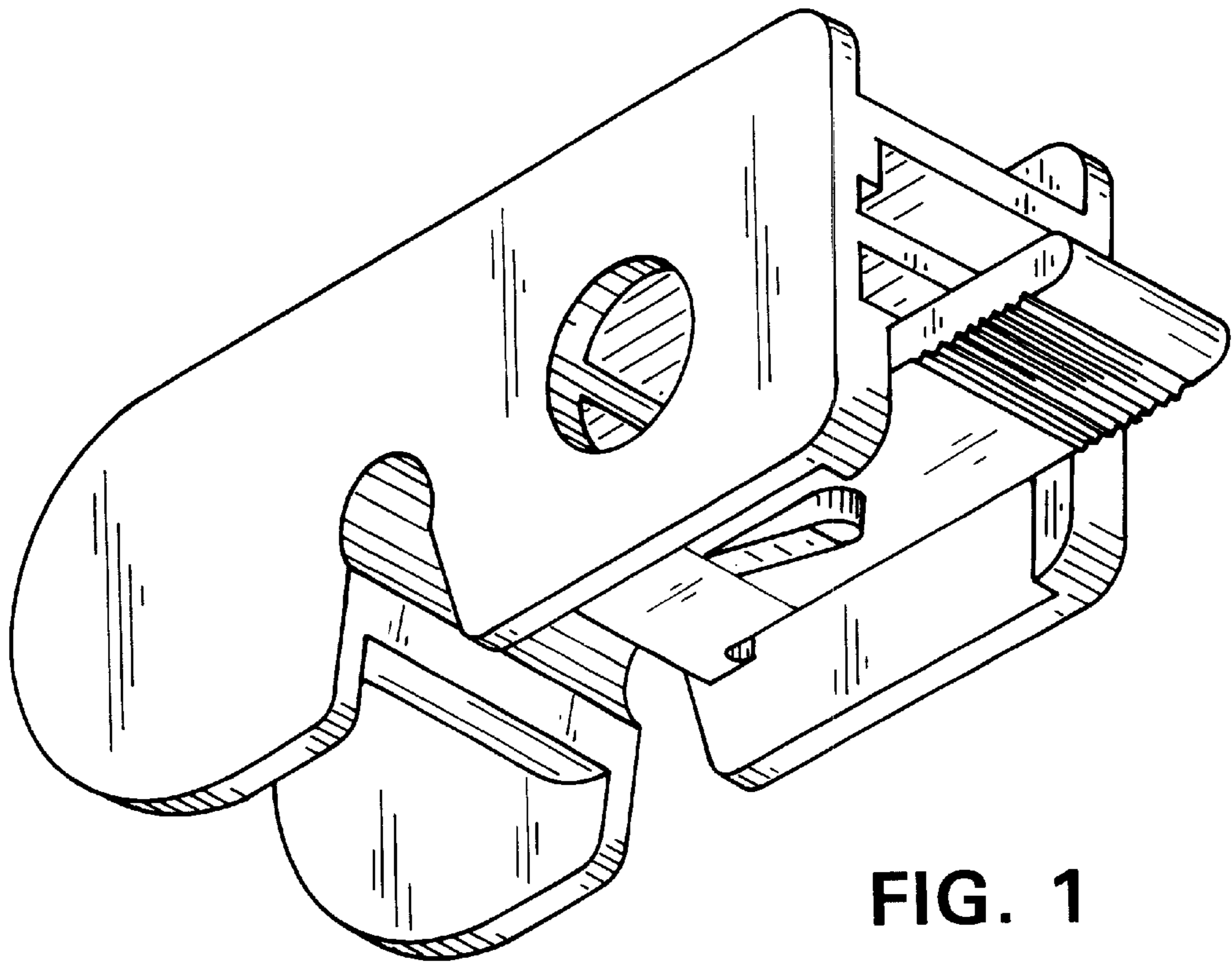


FIG. 1

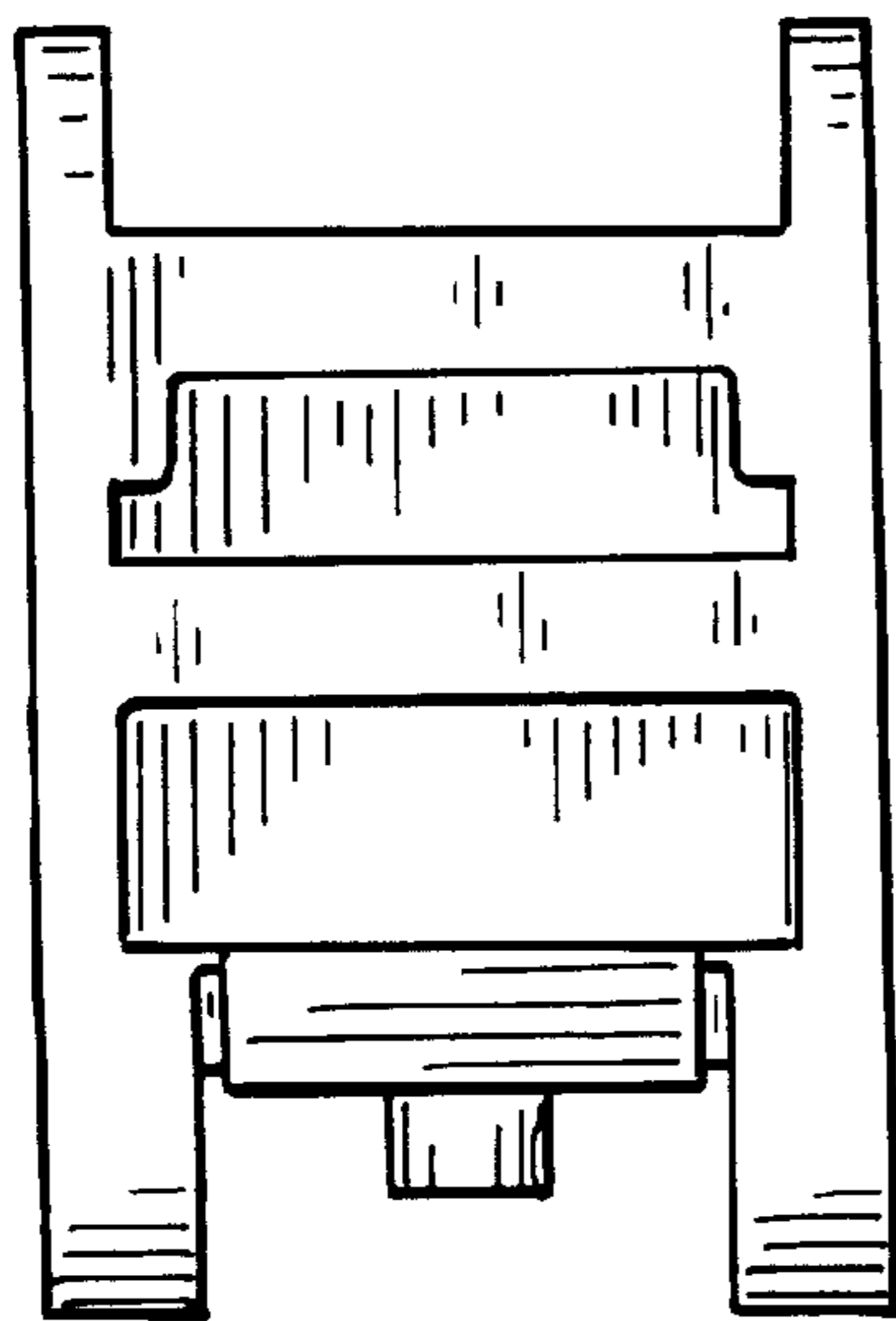


FIG. 4

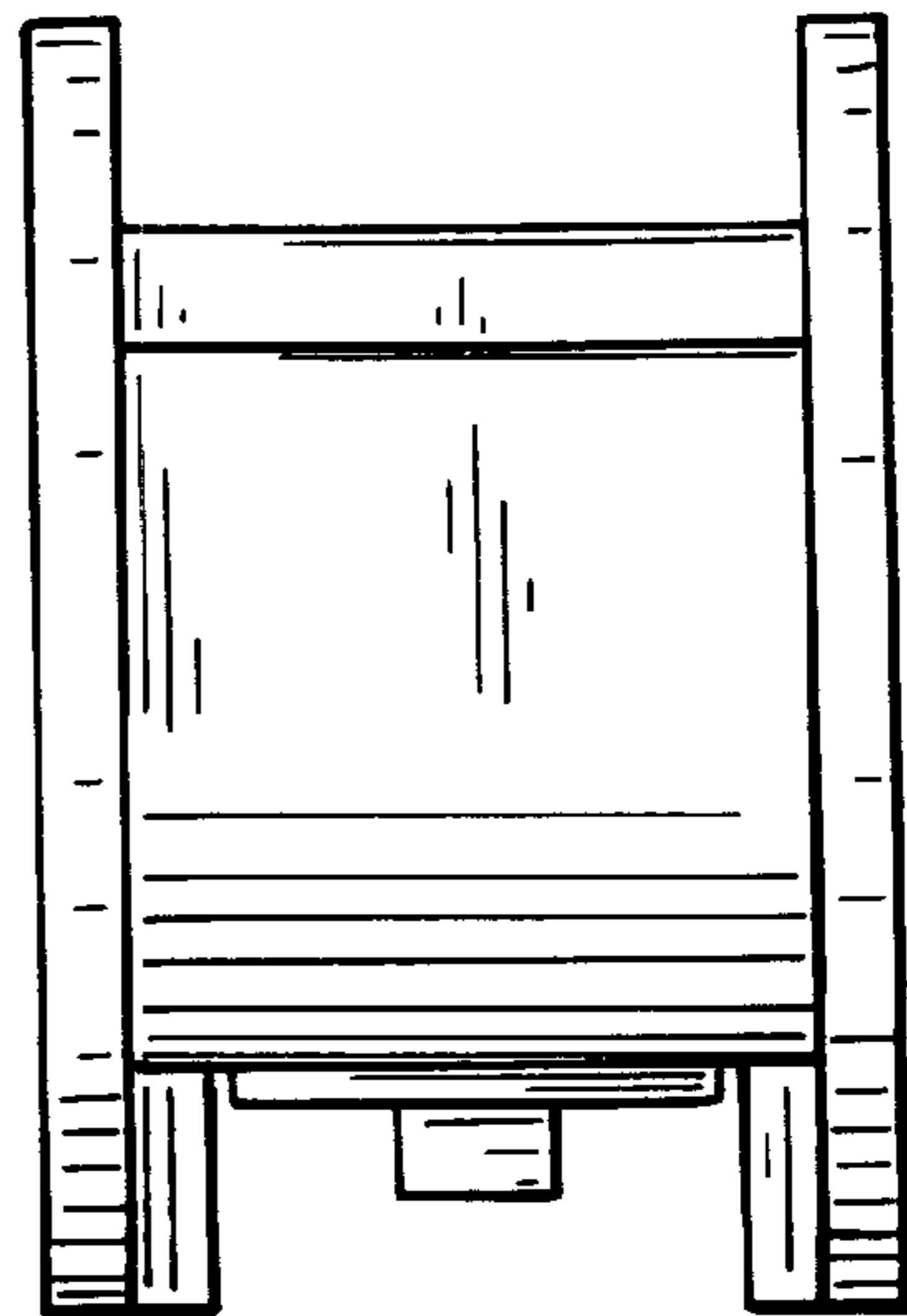


FIG. 5

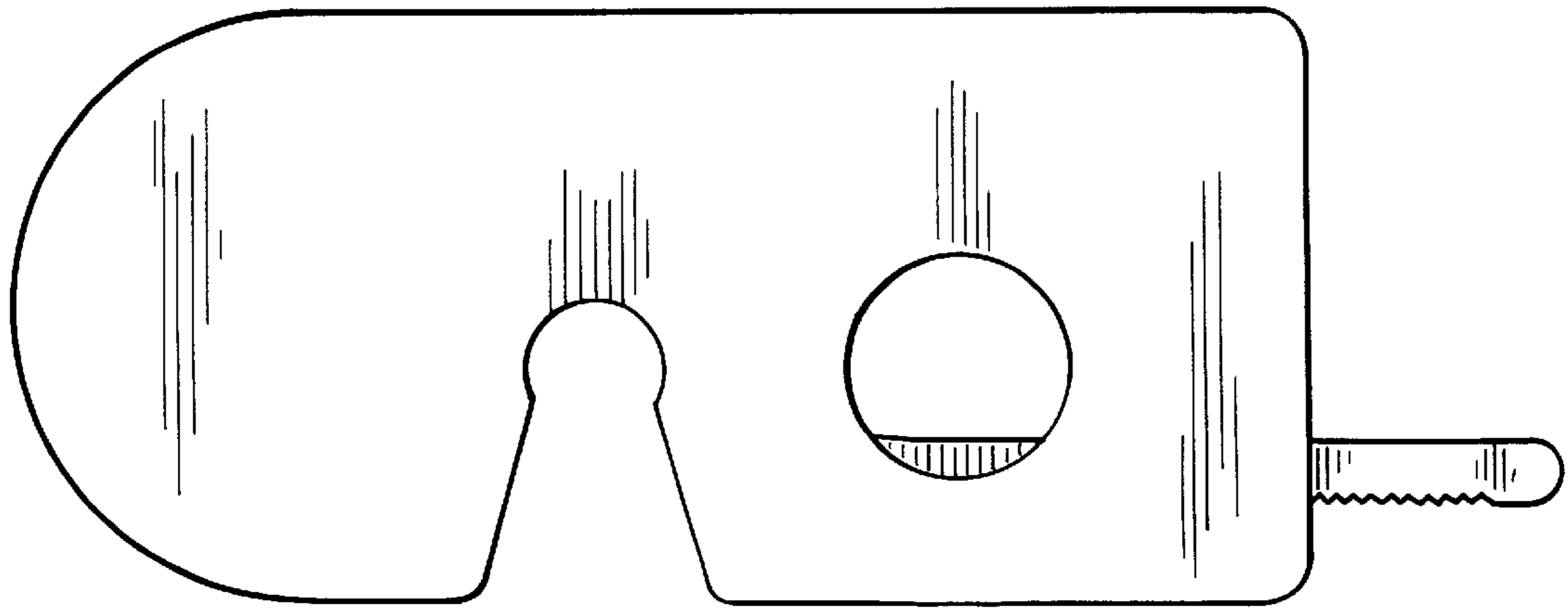


FIG. 2

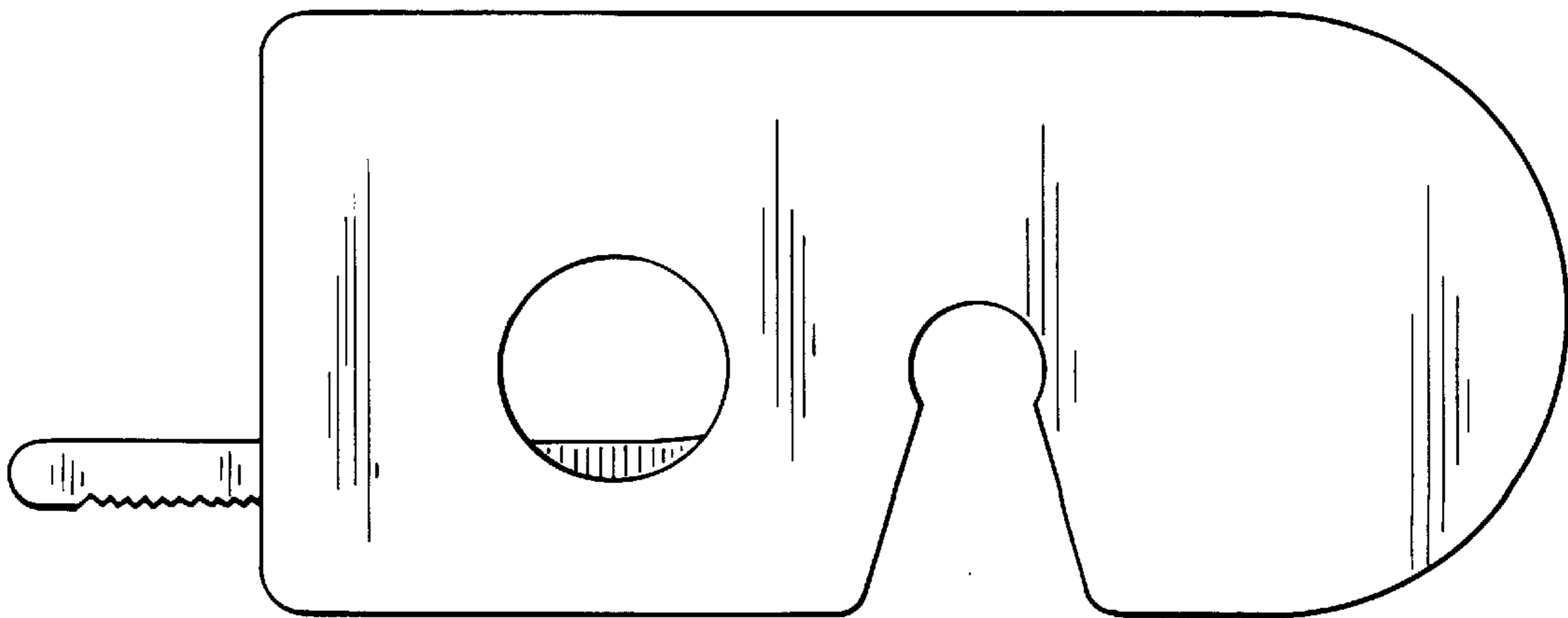


FIG. 3

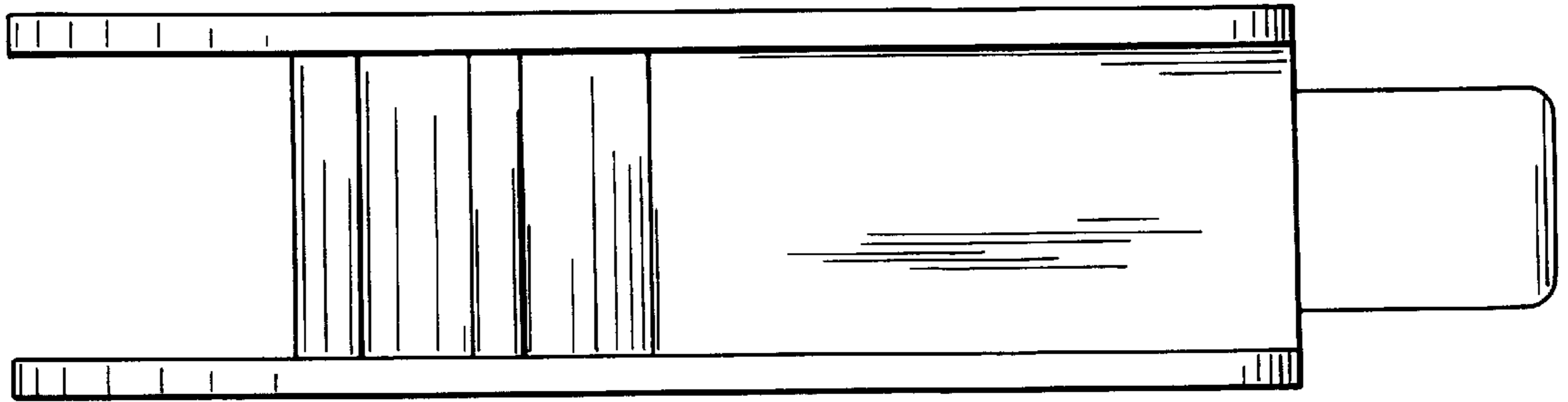


FIG. 6

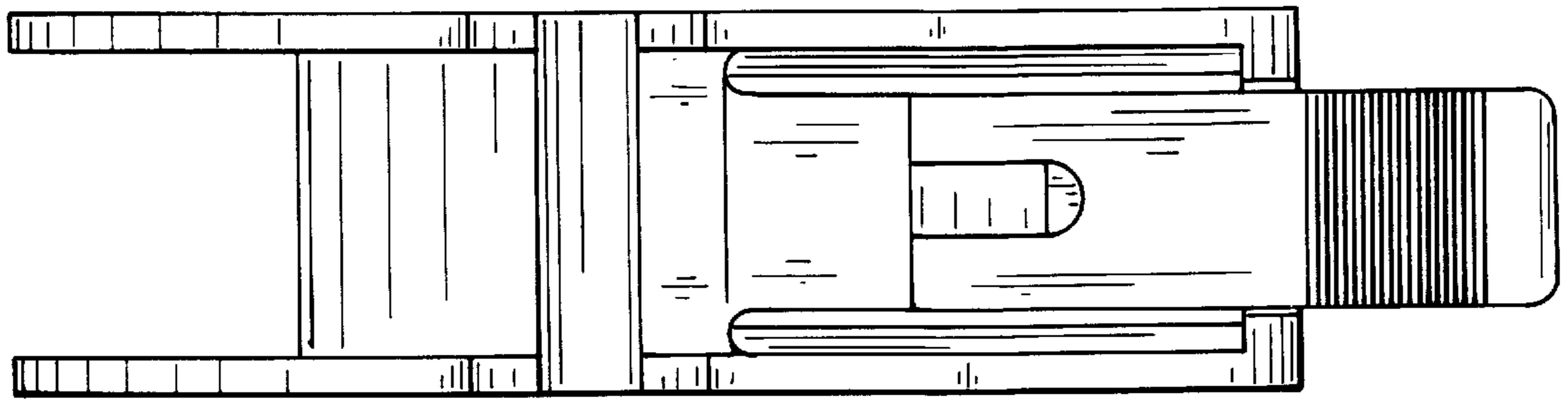


FIG. 7