



US00D418471S

**United States Patent** [19]  
**Gabath**

[11] **Patent Number: Des. 418,471**  
[45] **Date of Patent: \*\* Jan. 4, 2000**

[54] **SURFACE CONFIGURATION OF A SIDE DOOR FOR A VEHICLE**

[75] Inventor: **Peter Gabath**, Starnberg, Germany

[73] Assignee: **Bayerische Motoren Werke Aktiengesellschaft**, Munich, Germany

[\*\*] Term: **14 Years**

[21] Appl. No.: **29/097,554**

[22] Filed: **Dec. 9, 1998**

[30] **Foreign Application Priority Data**

Jun. 10, 1998 [DE] Germany ..... M 98 05 818

[51] **LOC (7) Cl.** ..... **12-16**

[52] **U.S. Cl.** ..... **D12/196**

[58] **Field of Search** ..... D12/196, 90-92;  
296/185

[56] **References Cited**

**U.S. PATENT DOCUMENTS**

- D. 309,287 7/1990 Envall et al. .... D12/196
- D. 312,804 12/1990 Okano ..... D12/196
- D. 374,642 10/1996 Lawson ..... D12/92
- D. 387,025 12/1997 Lagaay et al. .... D12/196

*Primary Examiner*—Melody N. Brown  
*Attorney, Agent, or Firm*—Evenson, McKeown, Edwards & Lenahan, P.L.L.C.

[57] **CLAIM**

The ornamental design for a surface configuration of a side door for a vehicle, as shown and described.

**DESCRIPTION**

FIG. 1 is a front view of a surface configuration of a side door for a vehicle according to my novel design, depicting a vehicle left side door panel;

FIG. 2 is a left side view of a surface configuration of a side door for a vehicle according to my novel design, depicting a vehicle left side door panel;

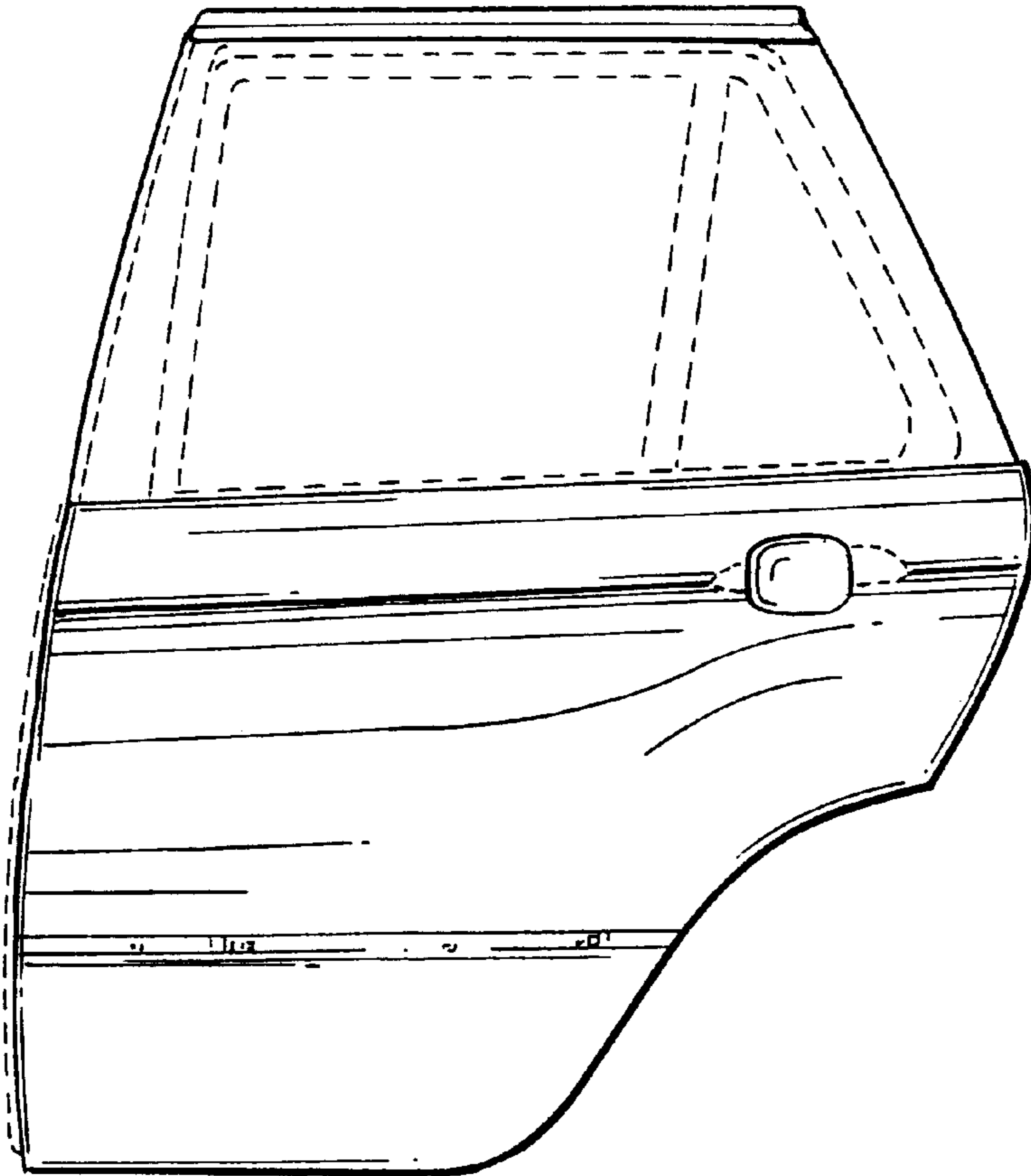
FIG. 3 is a right side view of a surface configuration of a side door for a vehicle according to my novel design, depicting a vehicle left side door panel;

FIG. 4 is a top view of a surface configuration of a side door for a vehicle according to my novel design, depicting a vehicle left side door panel; and,

FIG. 5 is a perspective view from the front left of a surface configuration of a side door for a vehicle according to my novel design, depicting a vehicle left side door panel.

The broken lines shown all drawing views are for illustrative purposes only and form no part of the claimed design.

**1 Claim, 2 Drawing Sheets**



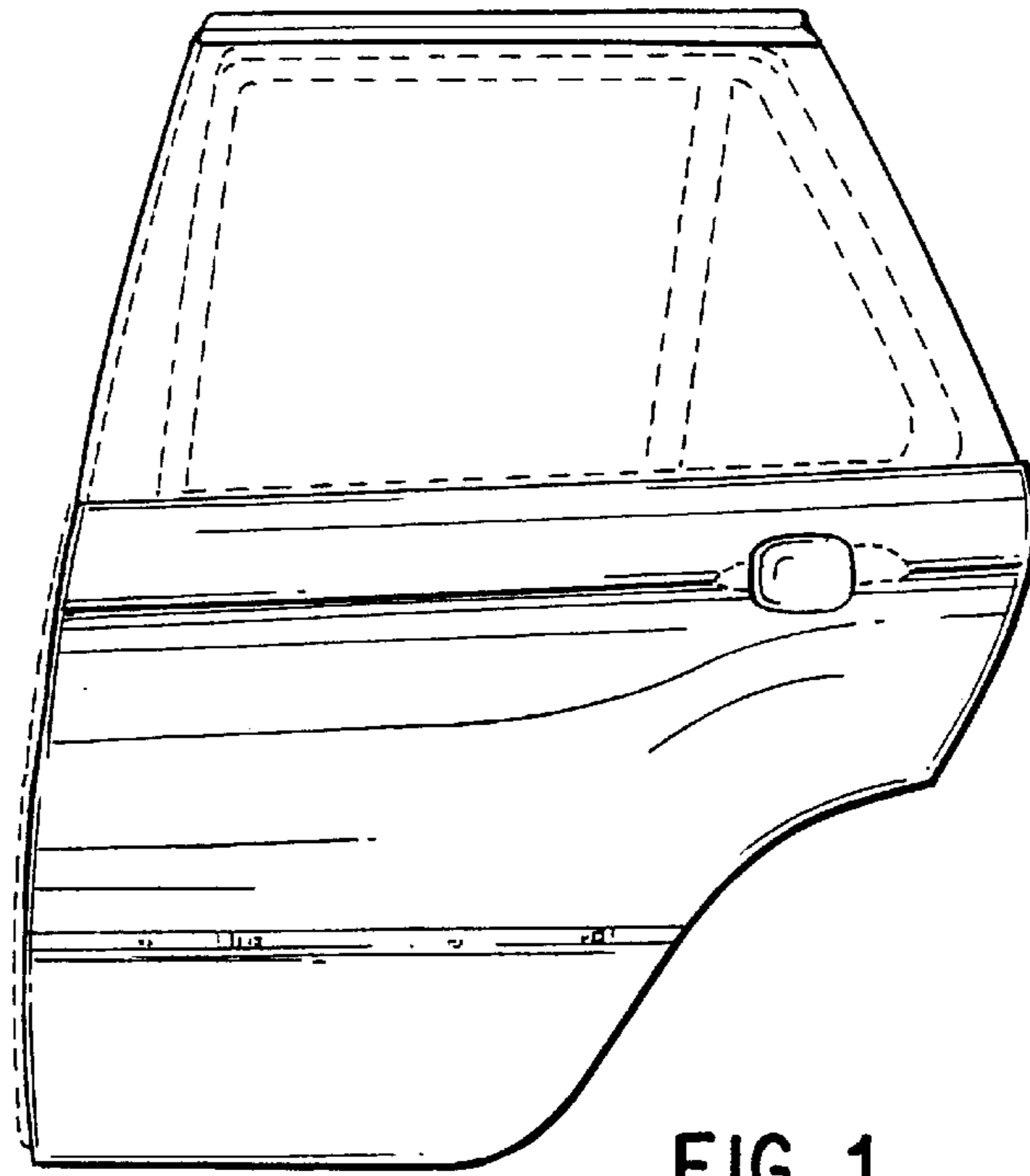


FIG. 1

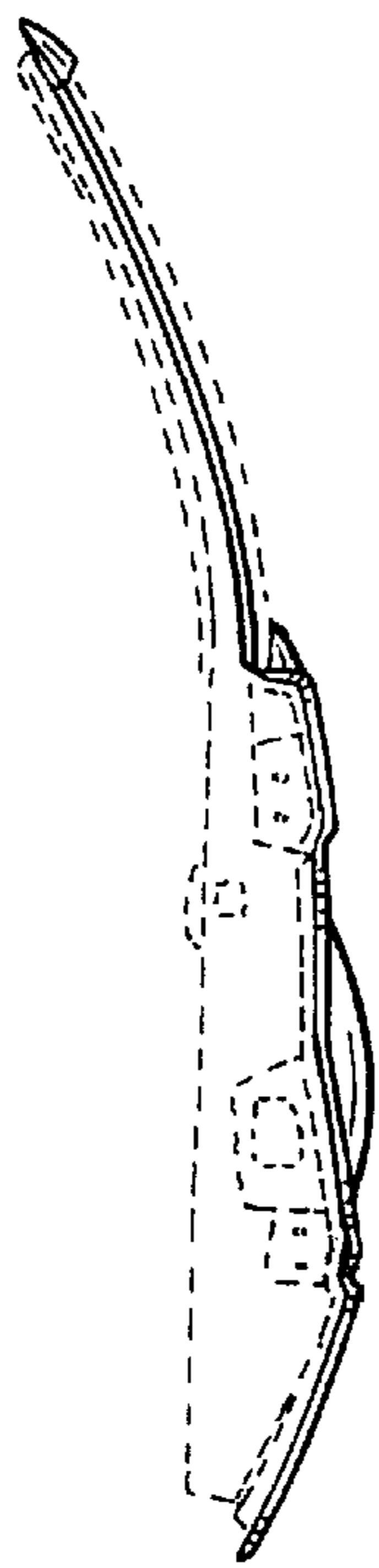


FIG. 2

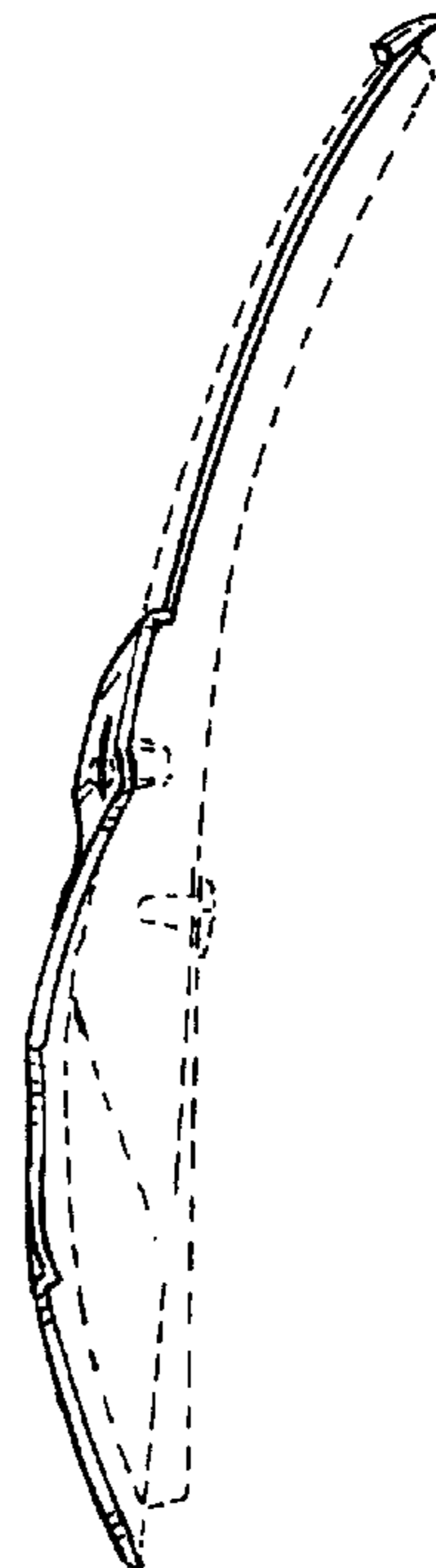


FIG. 3

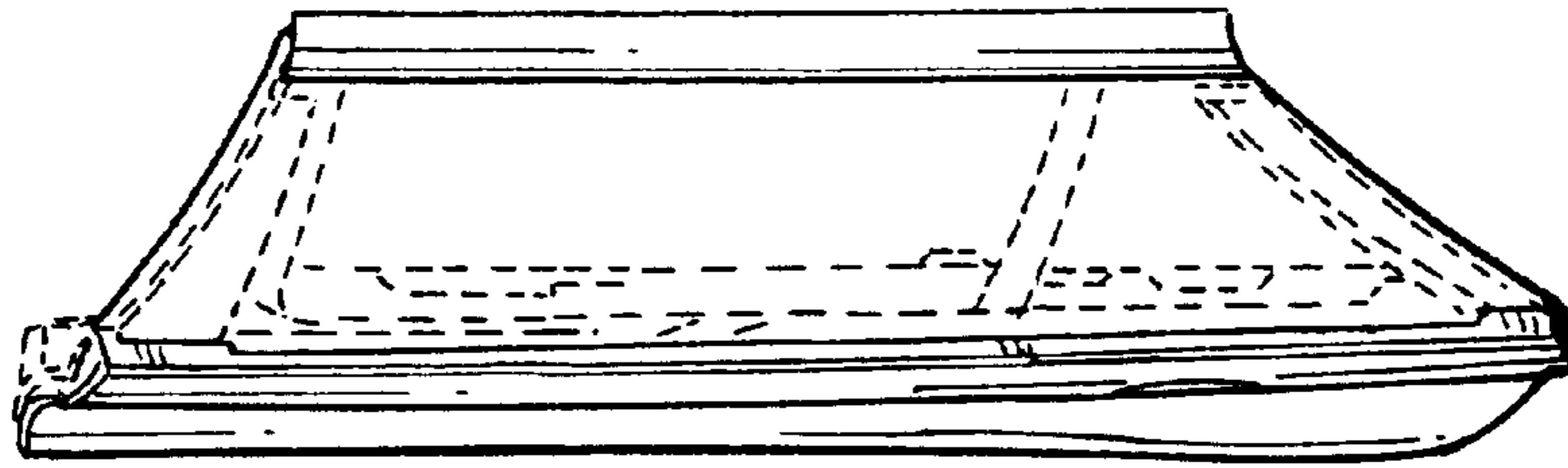


FIG. 4

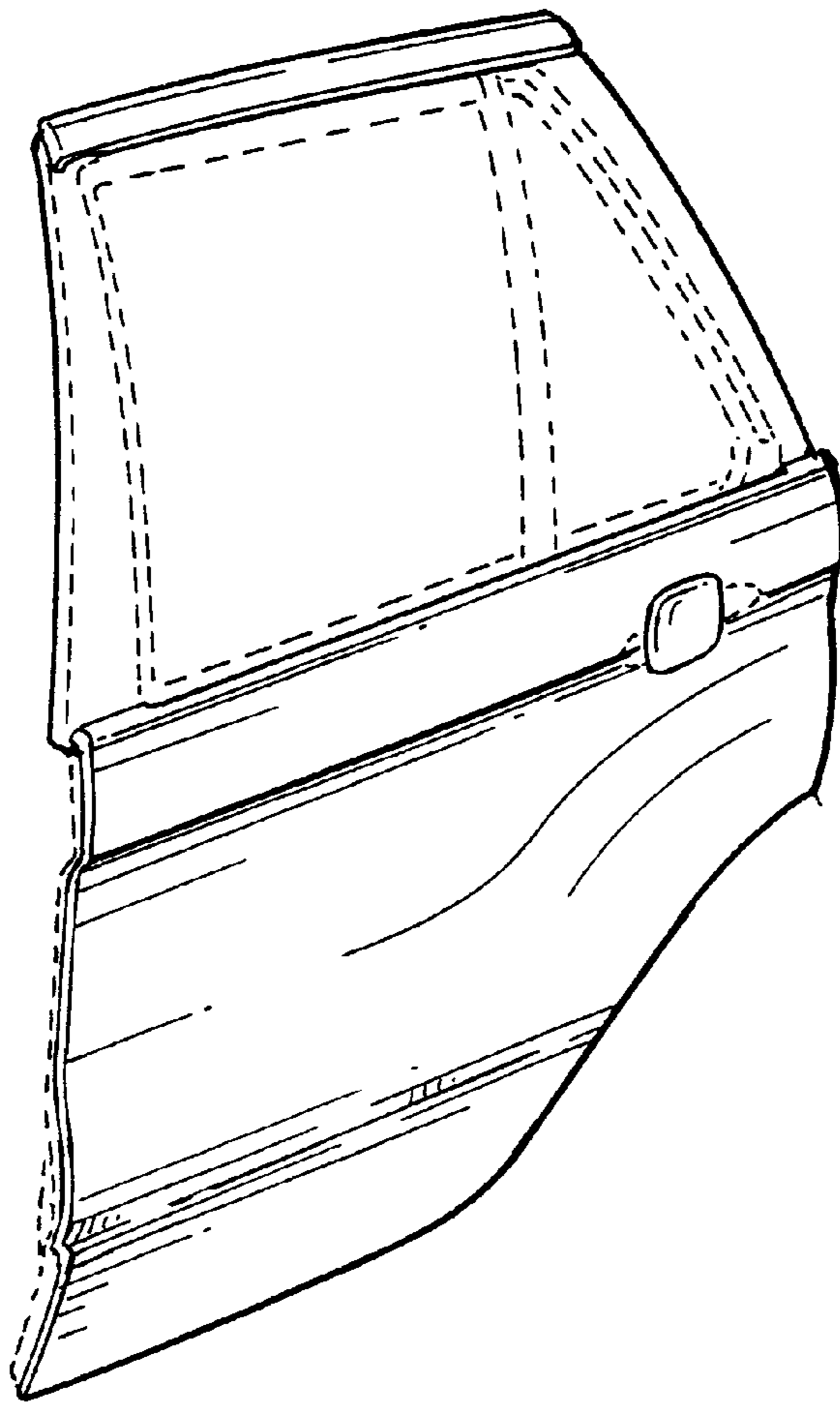


FIG. 5