



US00D418468S

United States Patent [19]

Saleen et al.

[11] Patent Number: Des. 418,468

[45] Date of Patent: ** Jan. 4, 2000

[54] VEHICLE SIDESKIRT SET

D. 402,611 12/1998 Thomas, Jr. D12/203

[76] Inventors: **Stephen M. Saleen**, 63 Bell Canyon, Dove Canyon, Calif. 92679-3807; **Philip A. Frank**, 2526 NE. 27th Ave., Portland, Oreg. 97212

Primary Examiner—Doris V. Coles
Assistant Examiner—Stacia Sinuik

[**] Term: 14 Years

[57] CLAIM

The ornamental design for a vehicle sideskirt set, as shown and described.

[21] Appl. No.: 29/092,940

DESCRIPTION

[22] Filed: Aug. 31, 1998

FIG. 1 is a perspective view of one of the sideskirts of the vehicle sideskirt set showing our new design for mounting on the left side of an automobile;

[51] LOC (7) Cl. 12-16

[52] U.S. Cl. D12/190; D12/203

FIG. 2 is an enlarged front view thereof;

[58] Field of Search D12/190, 203, D12/181, 184; 280/163, 164.1, 169, 828, 848, 762, 768, 153.5; 296/196, 197, 209

FIG. 3 is an enlarged left side view thereof;

FIG. 4 is an enlarged right side view thereof;

FIG. 5 is an enlarged bottom view thereof;

FIG. 6 is an enlarged top view thereof;

FIG. 7 is an enlarged rear view thereof;

[56] References Cited

U.S. PATENT DOCUMENTS

D. 289,891	5/1987	Bielby	D12/190
D. 297,230	8/1988	Huff	D12/203
D. 304,820	11/1989	Rasmussen	D12/190
D. 307,413	4/1990	Bradley	D12/184 X
D. 342,476	12/1993	Beckett	D12/203
D. 349,679	8/1994	Waddington et al.	D12/203
D. 361,973	9/1995	Hornik	D12/190 X
D. 374,419	10/1996	Thomas, Jr.	D12/203
D. 379,079	5/1997	Thomas, Jr.	D12/203
D. 399,178	10/1998	Thomas, Jr.	D12/203
D. 399,465	10/1998	Saleen	D12/190
D. 400,486	11/1998	Zentner	D12/203

FIG. 8 is a perspective view of one of the sideskirts of the vehicle sideskirt set showing our new design for mounting on the right side of an automobile;

FIG. 9 is an enlarged front view thereof;

FIG. 10 is an enlarged left side view thereof;

FIG. 11 is an enlarged right side view thereof;

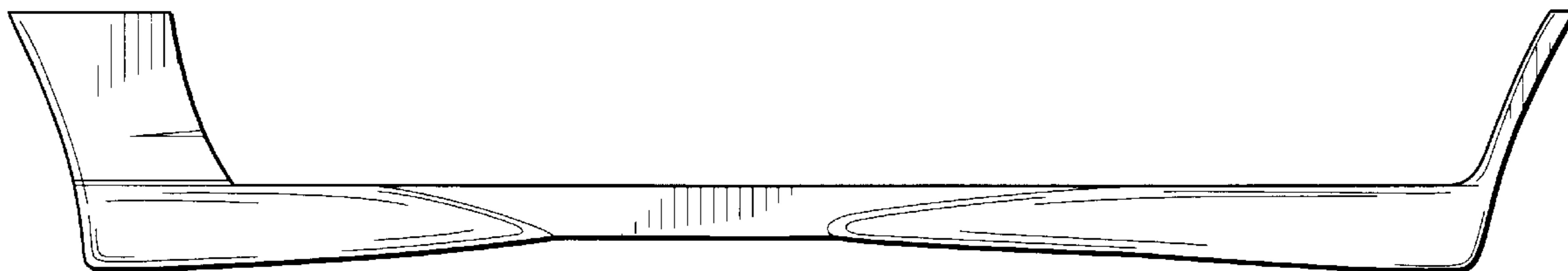
FIG. 12 is an enlarged bottom view thereof;

FIG. 13 is an enlarged top view thereof; and,

FIG. 14 is an enlarged rear view thereof.

The broken line showing of environment is for illustrative purposes only and forms no part of the claimed design.

1 Claim, 4 Drawing Sheets



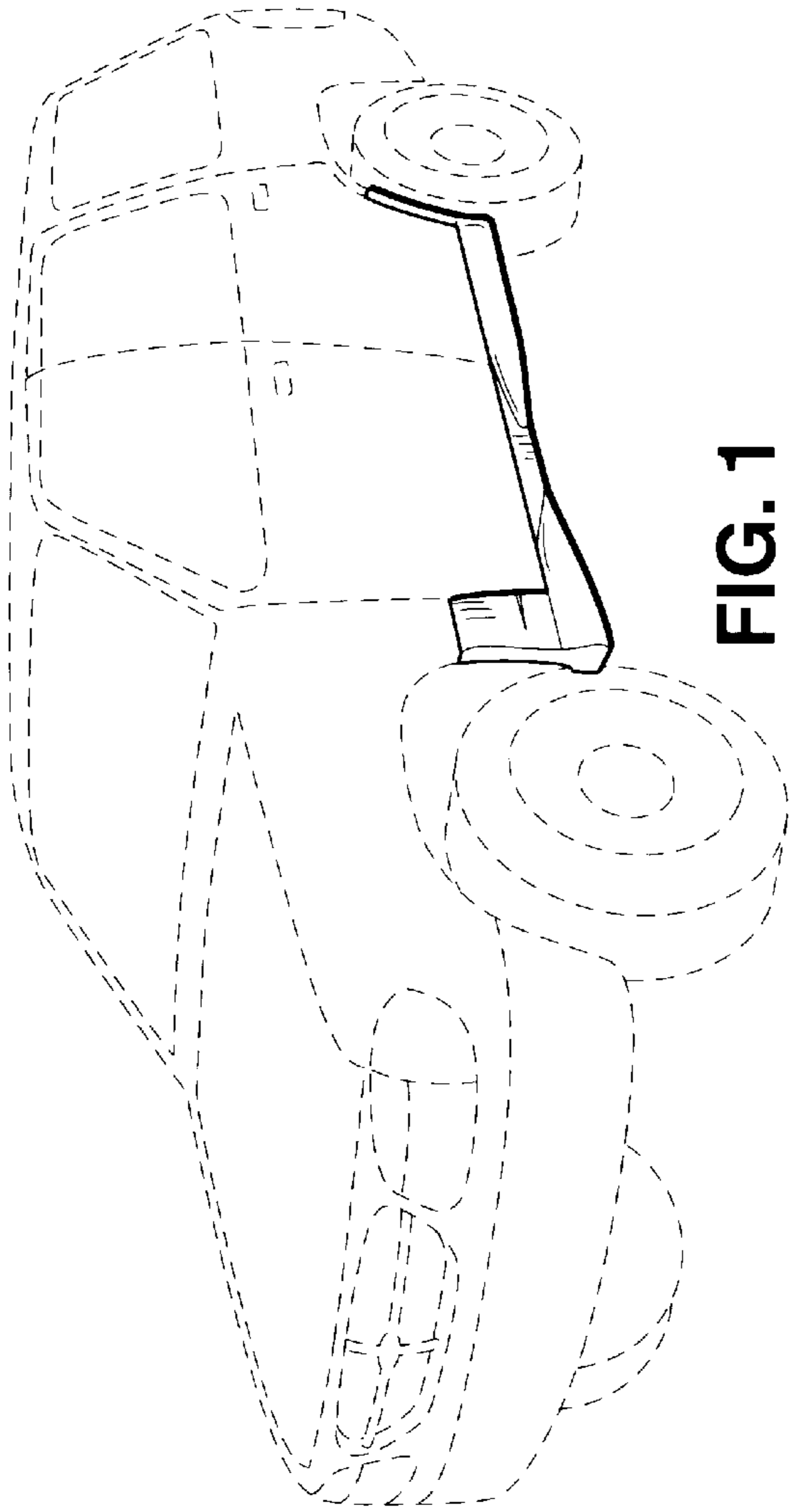


FIG. 1

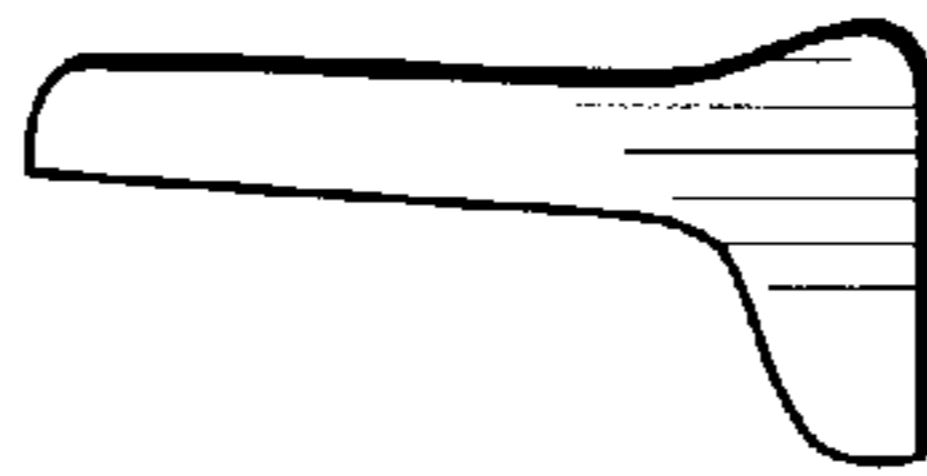


FIG. 3

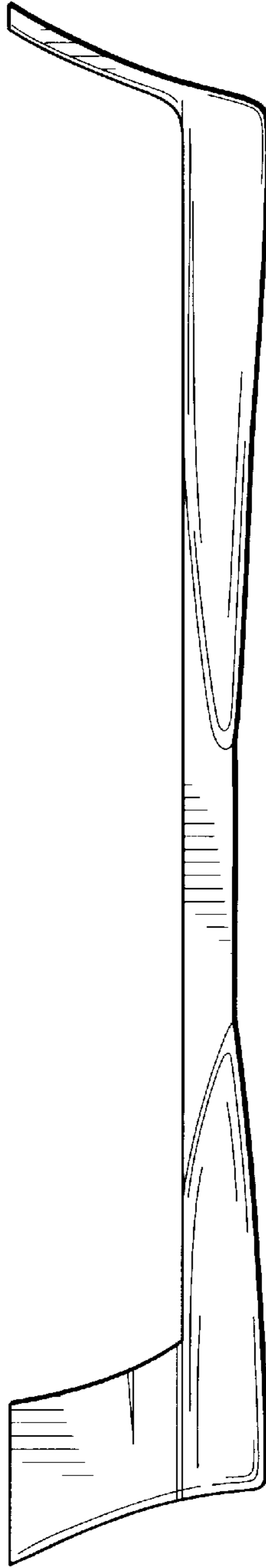


FIG. 2



FIG. 4



FIG. 5

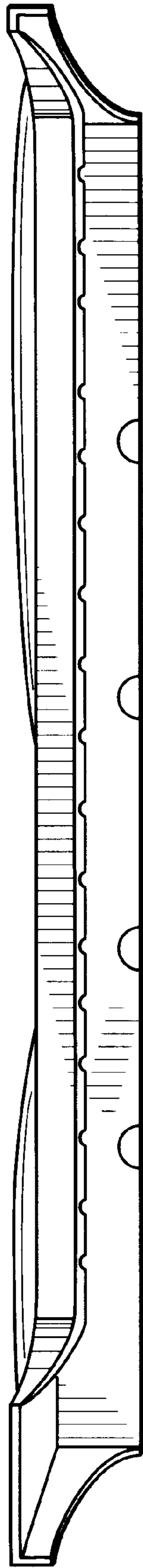


FIG. 6

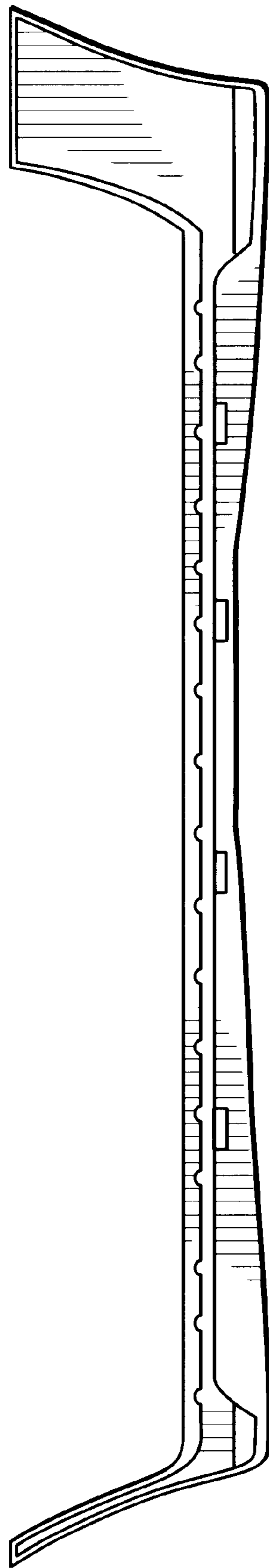


FIG. 7

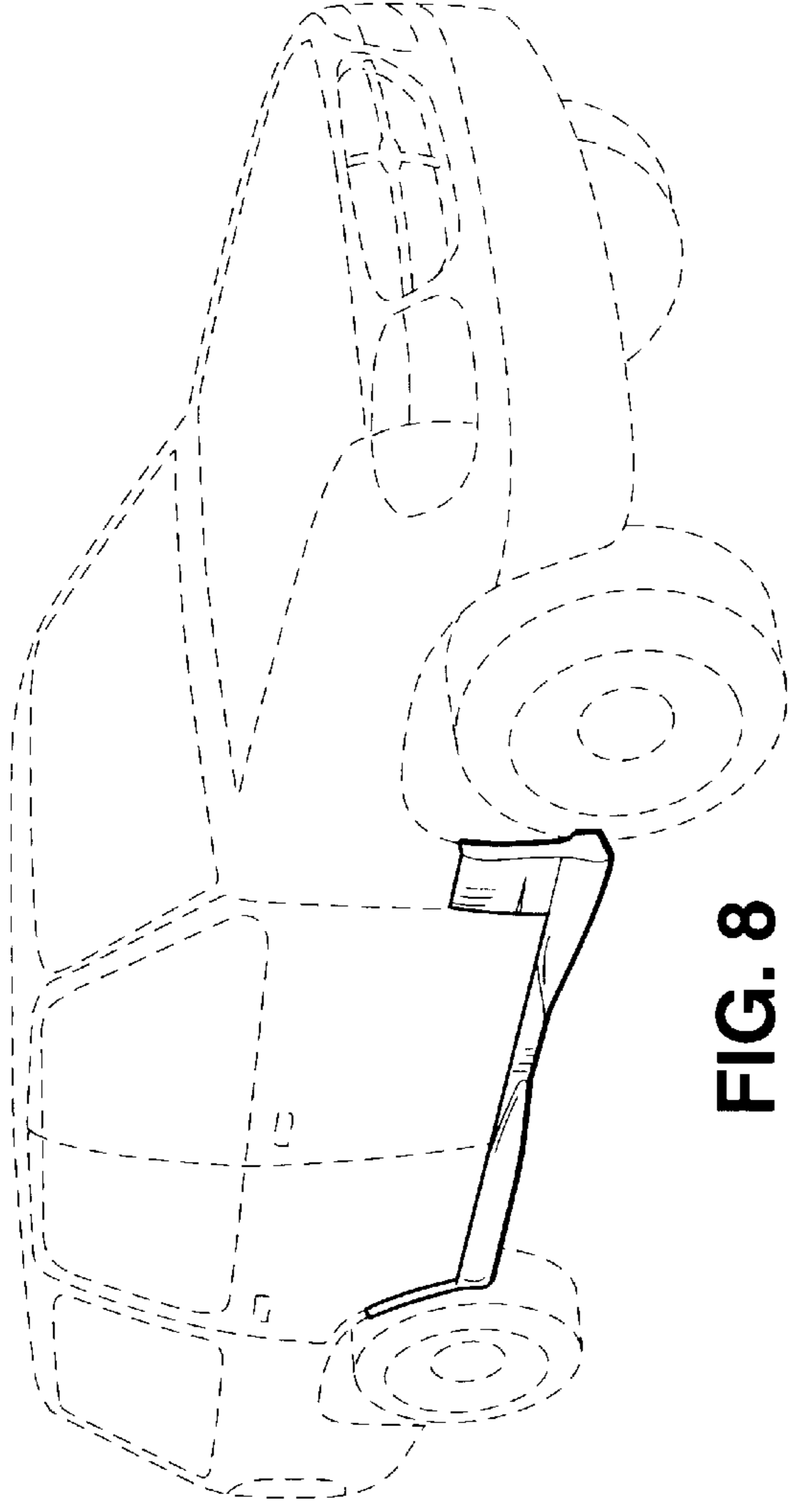


FIG. 8

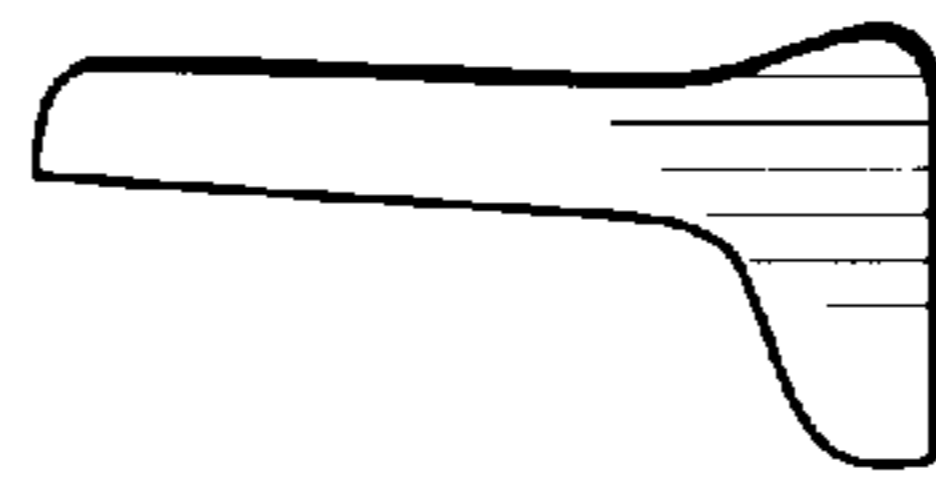


FIG. 10

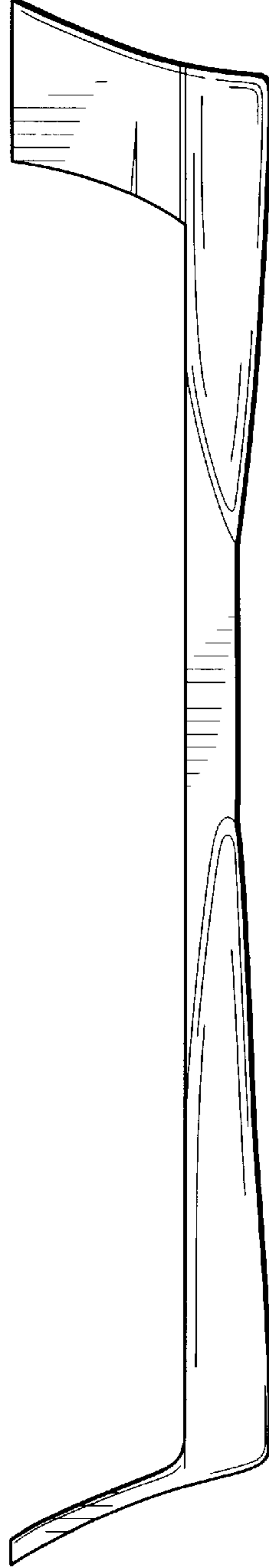


FIG. 9

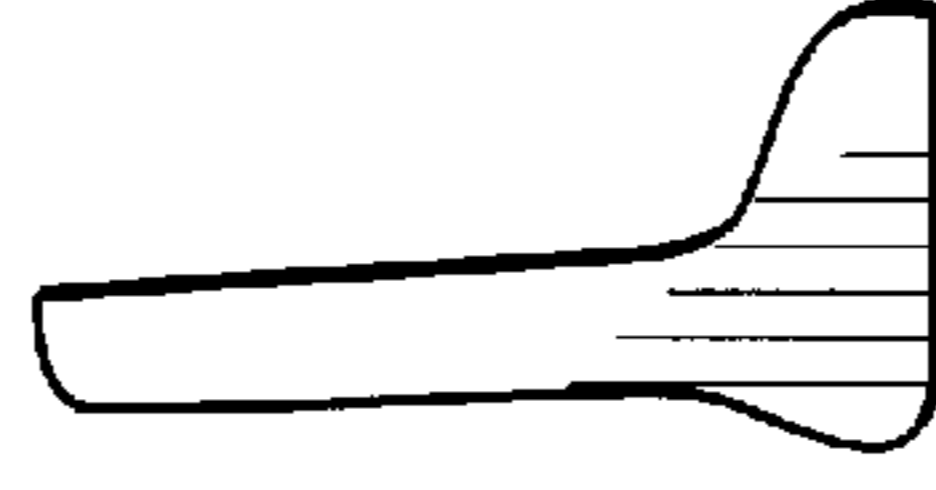


FIG. 11

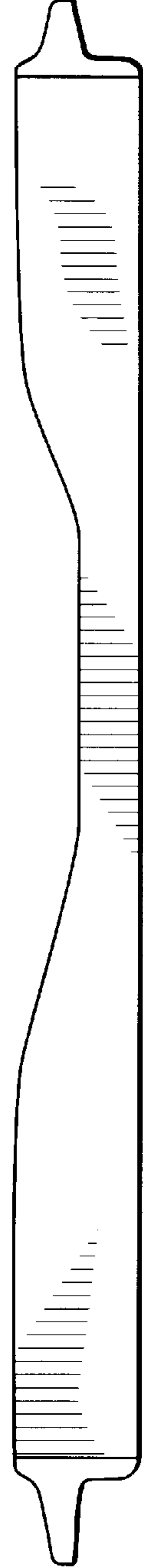


FIG. 12

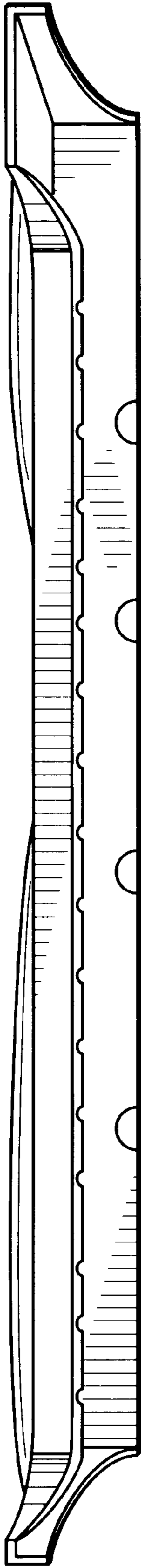


FIG. 13

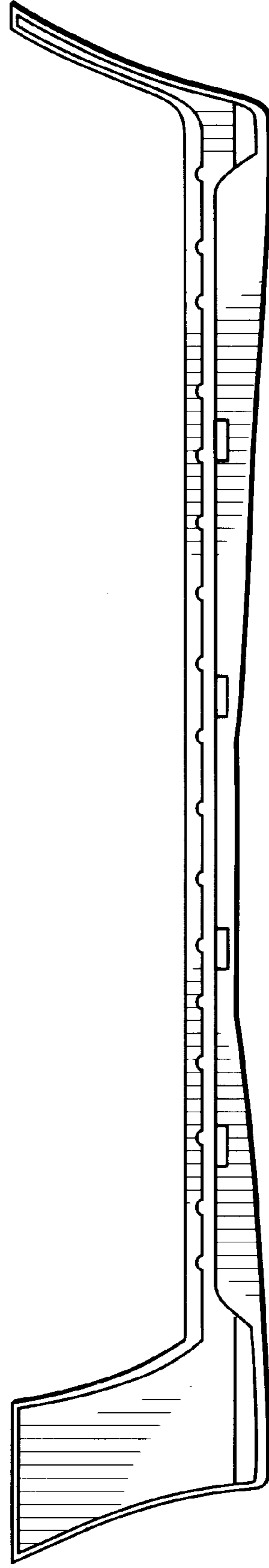


FIG. 14