



US00D418464S

United States Patent [19]

Saleen et al.

[11] **Patent Number: Des. 418,464**

[45] **Date of Patent: ** Jan. 4, 2000**

[54] **VEHICLE FRONT BUMPER**

D. 375,469 11/1996 Ferrerio et al. D12/91
D. 392,606 3/1998 Kulla et al. D12/169

[75] Inventors: **Stephen M. Saleen**, Dove Canyon, Calif.; **Philip A. Frank**, Portland, Oreg.

Primary Examiner—Melody N. Brown
Attorney, Agent, or Firm—Lyon & Lyon LLP

[73] Assignee: **Saleen Performance, Inc.**, Irvine, Calif.

[57] **CLAIM**

[**] Term: **14 Years**

The ornamental design for a vehicle front bumper, as shown and described.

[21] Appl. No.: **29/092,926**

DESCRIPTION

[22] Filed: **Aug. 31, 1998**

FIG. 1 is a perspective view of a vehicle front bumper showing our new design, it being understood the vehicle shown in broken lines is for illustrative purposes only and form no part of the claimed design;

[51] **LOC (7) Cl.** **12-16**

[52] **U.S. Cl.** **D12/169**

[58] **Field of Search** D12/169, 167,
D12/181; 293/102, 113, 115, 120; 296/180.1,
180.2

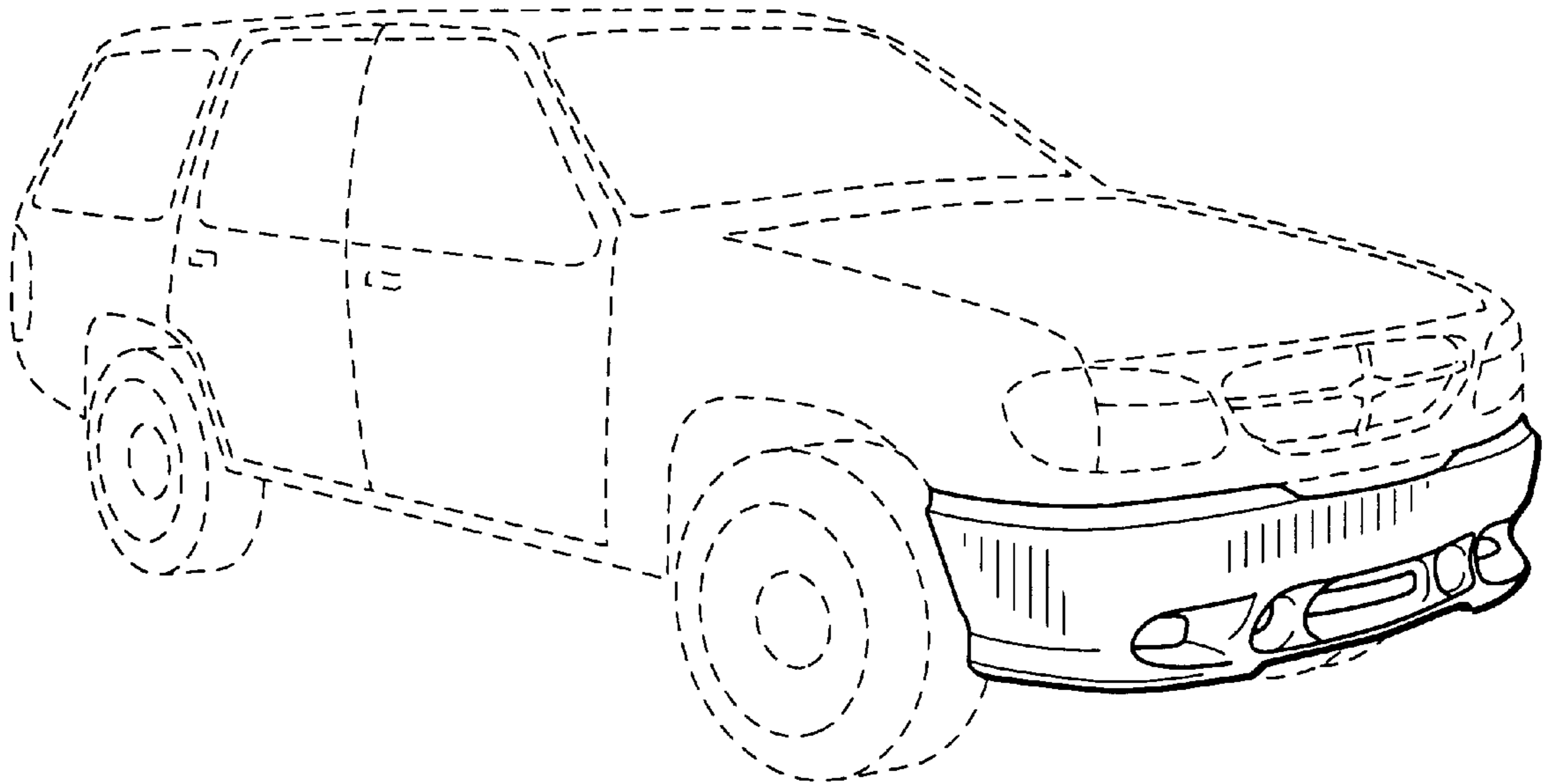
FIG. 2 is a front view thereof;
FIG. 3 is a top view thereof;
FIG. 4 is a bottom view;
FIG. 5 is a rear view;
FIG. 6 is a left side view; and,
FIG. 7 is a right side view.

[56] **References Cited**

U.S. PATENT DOCUMENTS

D. 370,876 6/1996 Sastoro D12/92
D. 372,695 8/1996 Nayashima D12/169

1 Claim, 2 Drawing Sheets



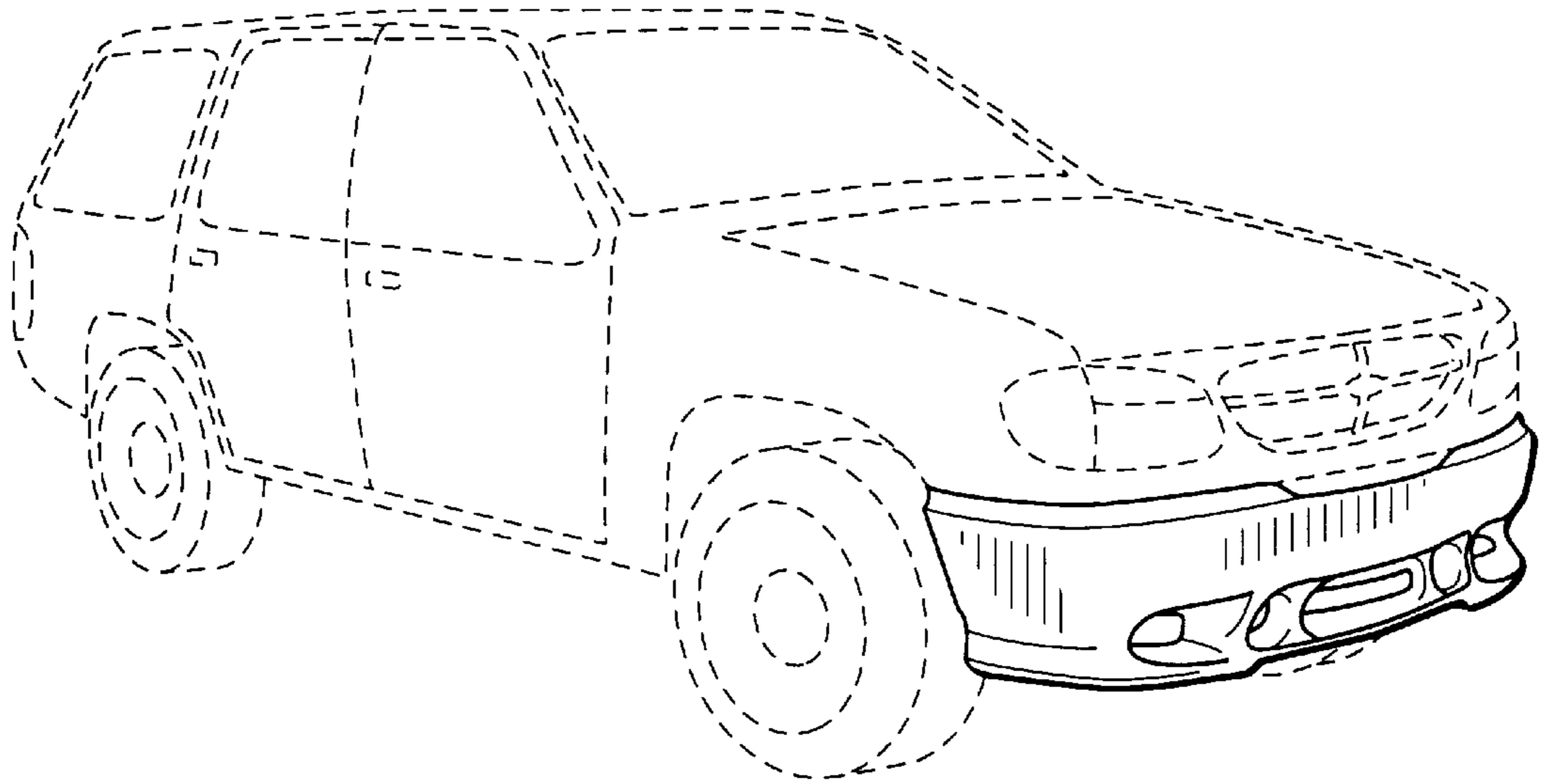


FIG. 1

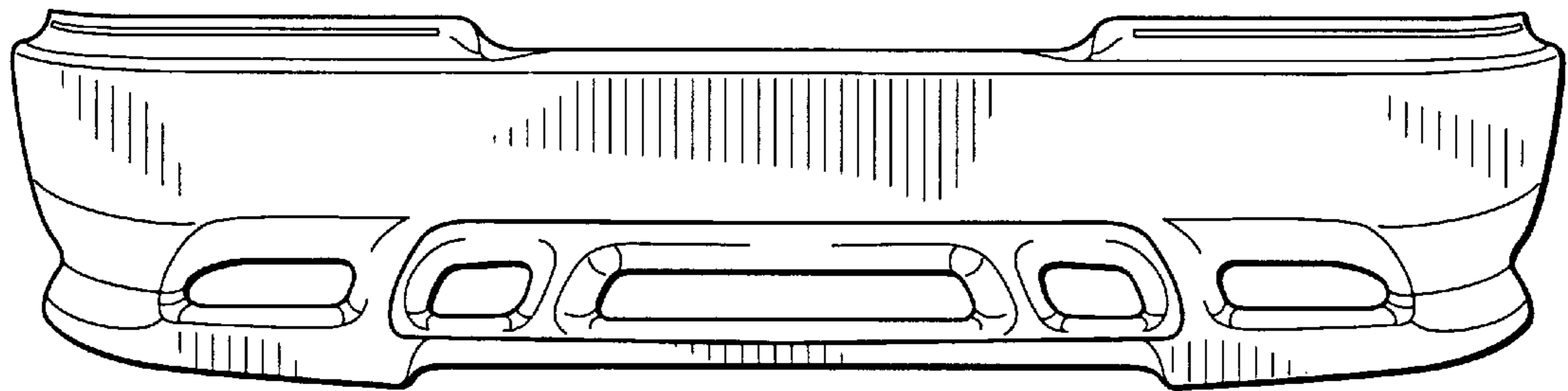


FIG. 2

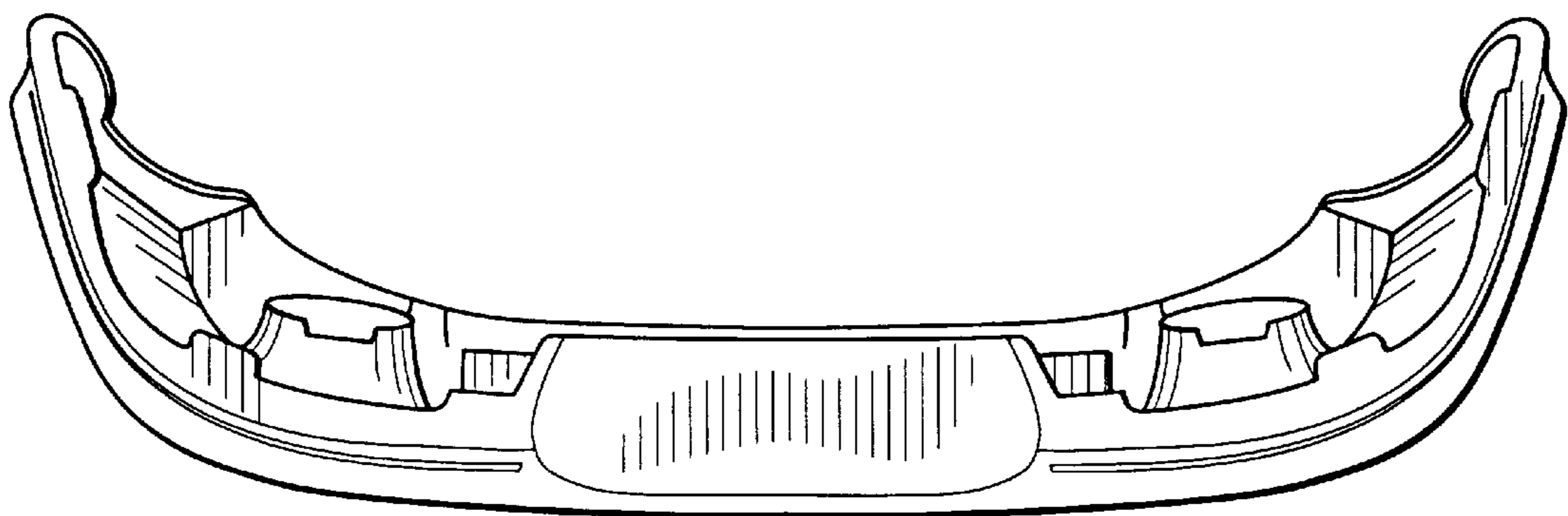


FIG. 3

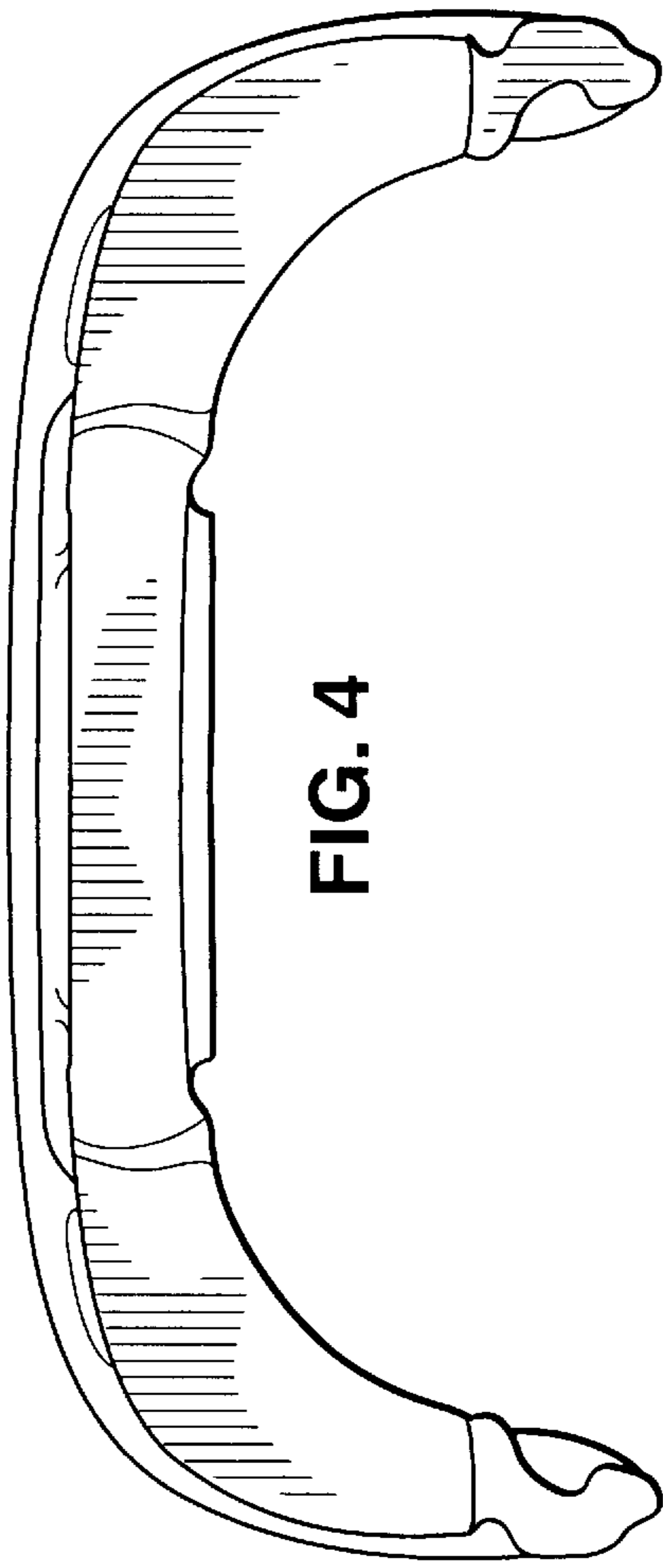


FIG. 4

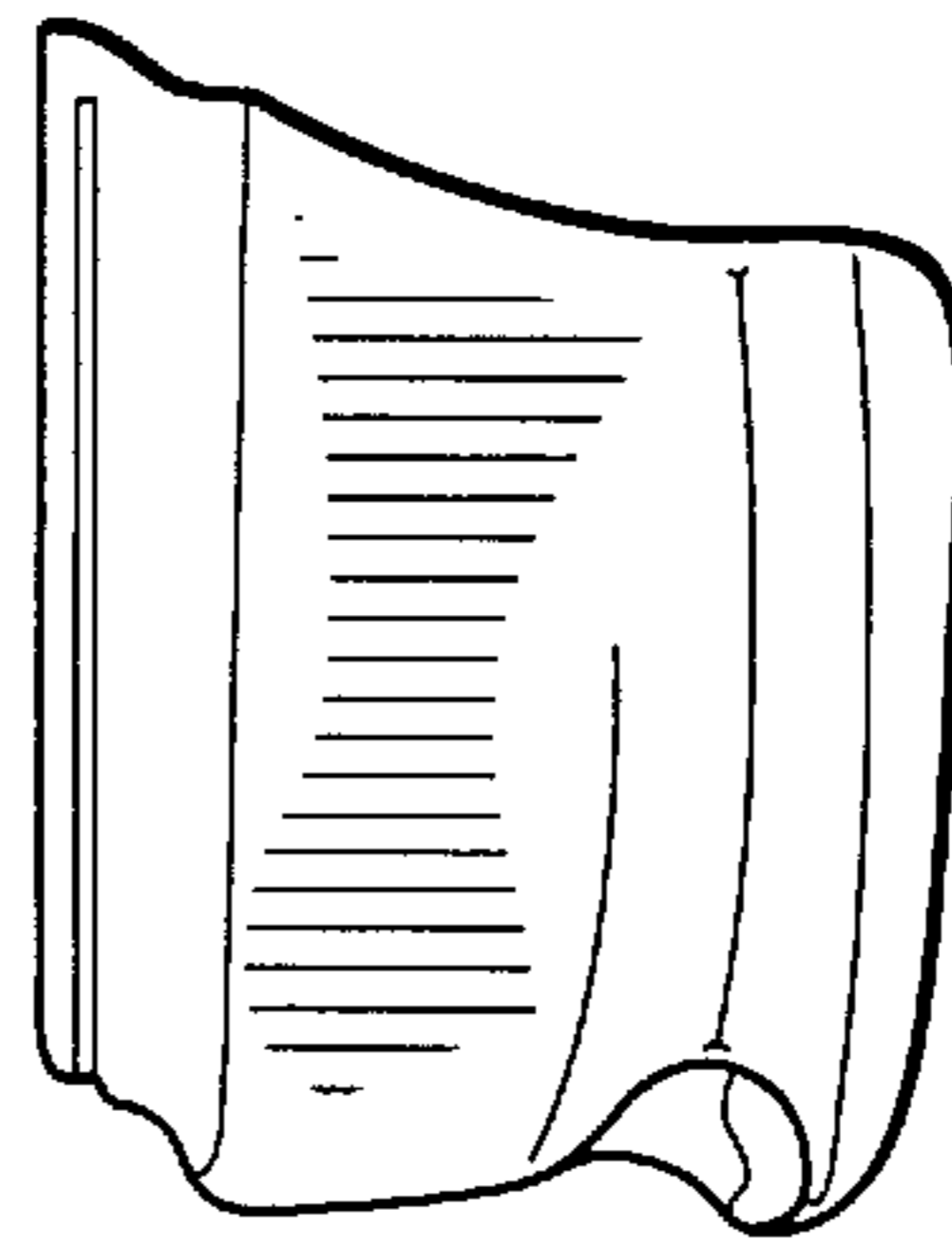


FIG. 6

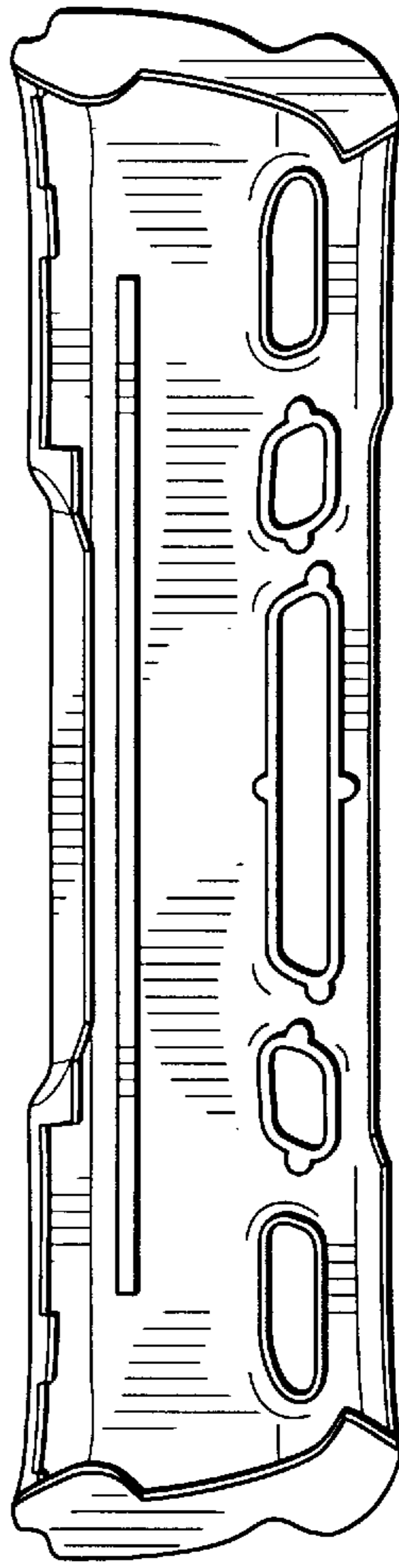


FIG. 5

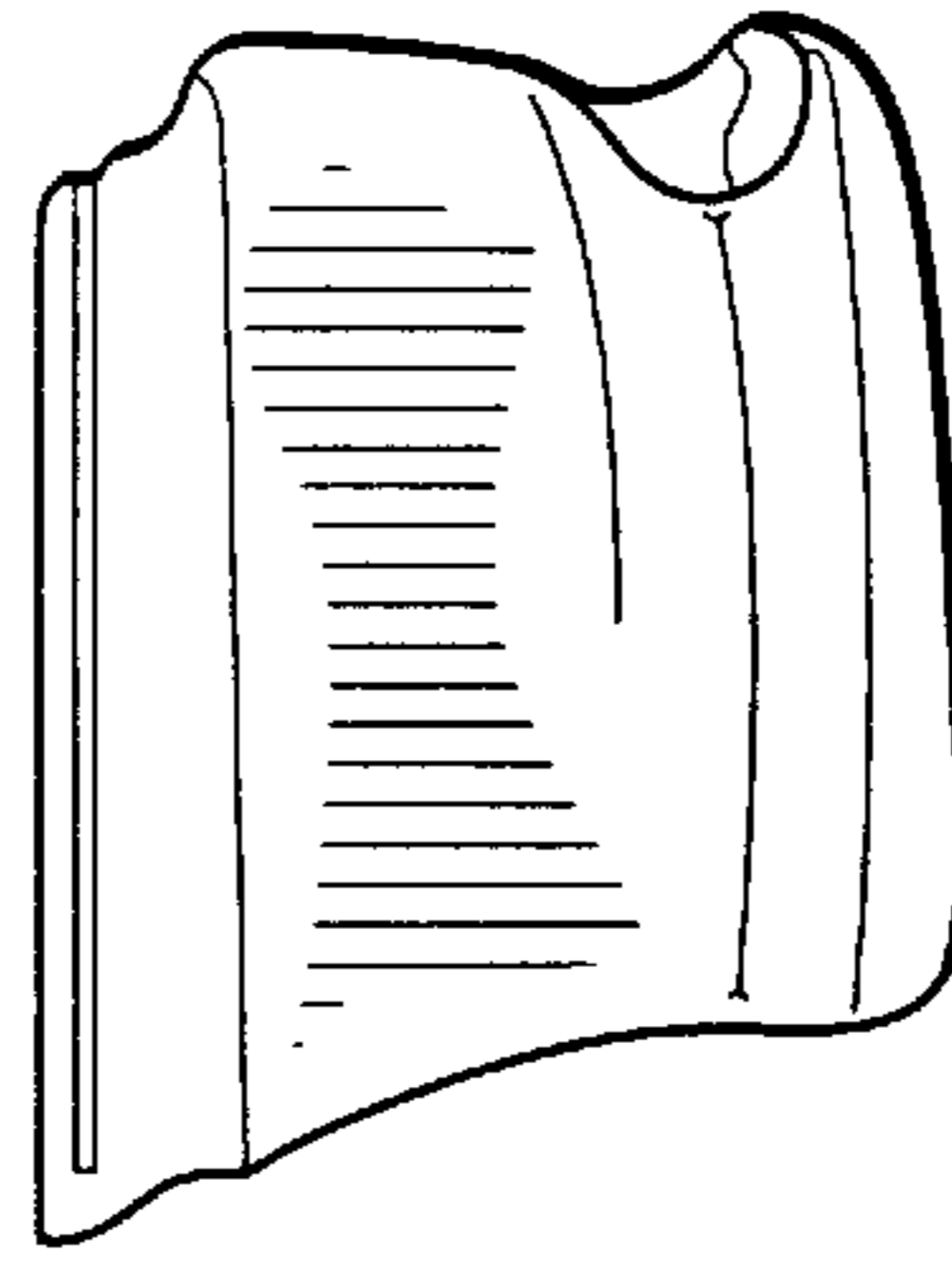


FIG. 7

UNITED STATES PATENT AND TRADEMARK OFFICE
CERTIFICATE OF CORRECTION

PATENT NO. : Des. 418,464

DATED : January 4, 2000

INVENTOR(S) : Stephen M. Saleen et al

It is certified that error appears in the above-identified patent and that said Letters Patent is hereby corrected as shown below:

In the Description, Fig. 1, please change "form" to --forms--.

Signed and Sealed this
Twenty-eighth Day of November, 2000

Attest:



Q. TODD DICKINSON

Attesting Officer

Director of Patents and Trademarks