



US00D418460S

**United States Patent** [19]  
**Williams**

[11] **Patent Number: Des. 418,460**  
[45] **Date of Patent: \*\* Jan. 4, 2000**

[54] **TIRE TREAD**

[75] Inventor: **Ellen MacDonald Williams**, Greer, S.C.

[73] Assignee: **Michelin Recherche et Technique S.A.**, Switzerland

[\*\*] Term: **14 Years**

[21] Appl. No.: **29/100,964**

[22] Filed: **Feb. 19, 1999**

[51] **LOC (7) Cl.** ..... **12-15**

[52] **U.S. Cl.** ..... **D12/147**

[58] **Field of Search** ..... D12/136-152;  
152/209.1, 209.8, 209.9, 209.11, 209.13,  
209.16, 209.28, 901, 902, 903

[56] **References Cited**

**U.S. PATENT DOCUMENTS**

D. 339,559	9/1993	Guspodin et al.	.....	D12/147
D. 384,615	10/1997	Lim et al.	.....	D12/147
D. 386,471	11/1997	Attinello	.....	D12/147
D. 404,346	1/1999	McKisson	.....	D12/147
5,238,038	8/1993	Glover et al.	.....	152/209.1

**OTHER PUBLICATIONS**

Tread Design Guide, 1997, p. 90 Dean R23 All Steel Radial.  
Tread Design Guide, 1997, p. 97 Gillette Wheel-Trac Highway.

Tread Design Guide, 1992, p. 109 Gillette Widetrack Baja Rib.

Tread Design Guide, 1992, p. 120 Michelin XCA (Standard).

Tread Design Guide, 1992, p. 162 Kumho All Steel Radial 955.

Tread Design Guide, 1992, p. 163 Lee Steelmark Highway Radial I.

Tread Design Guide, 1992, p. 167 Monarch Steelmark Premium Highway Radial LP.

*Primary Examiner*—Robert M. Spear  
*Attorney, Agent, or Firm*—Alan A. Csontos; Robert R. Reed

[57] **CLAIM**

The ornamental design for a tire tread, as shown and described.

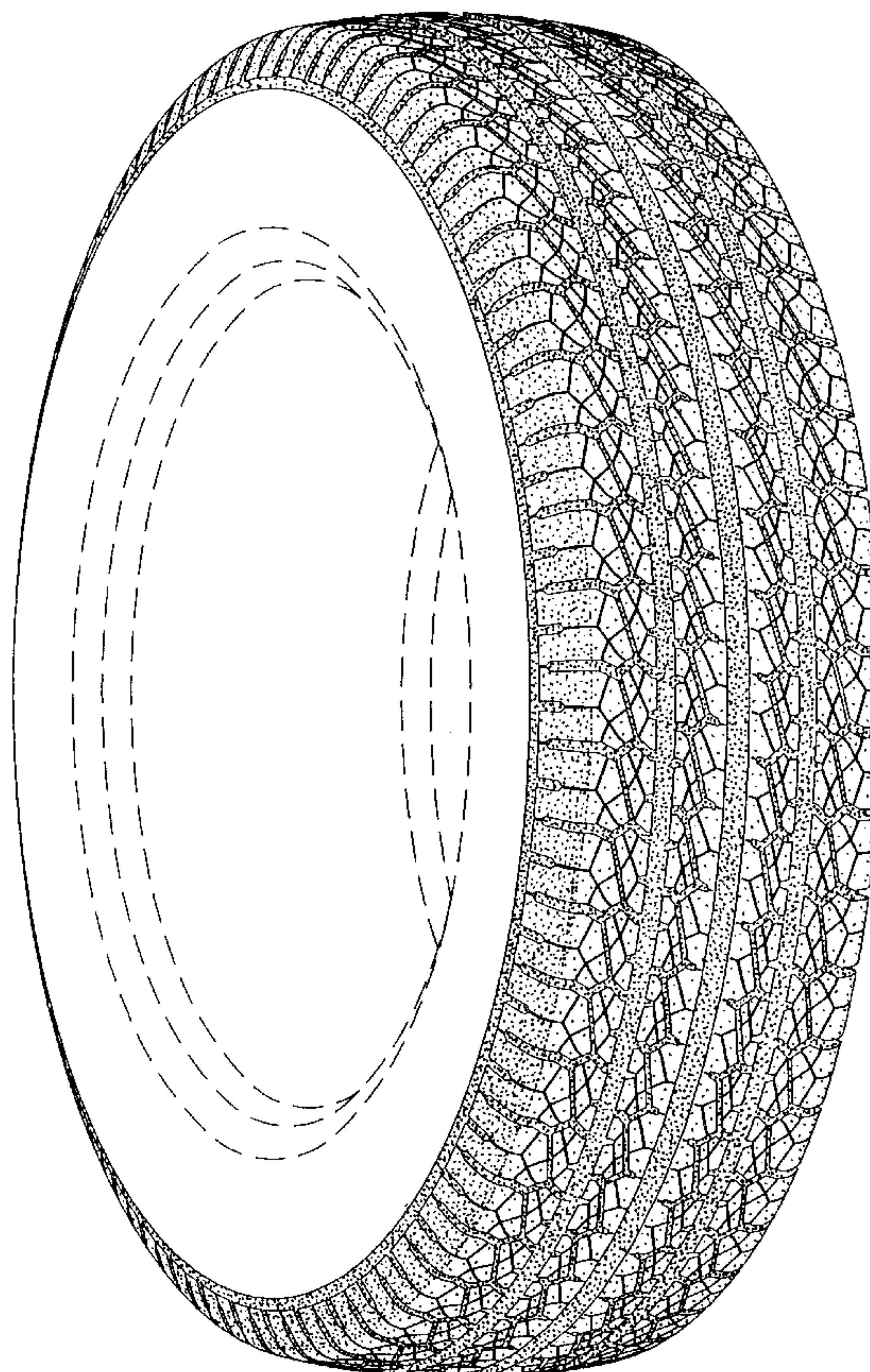
**DESCRIPTION**

FIG. 1 is a perspective view of a tire tread showing my new design, it being understood that the tread pattern repeats uniformly throughout the outer surface and shoulder circumference the tire tread, the opposite side perspective view being identical thereto; and,

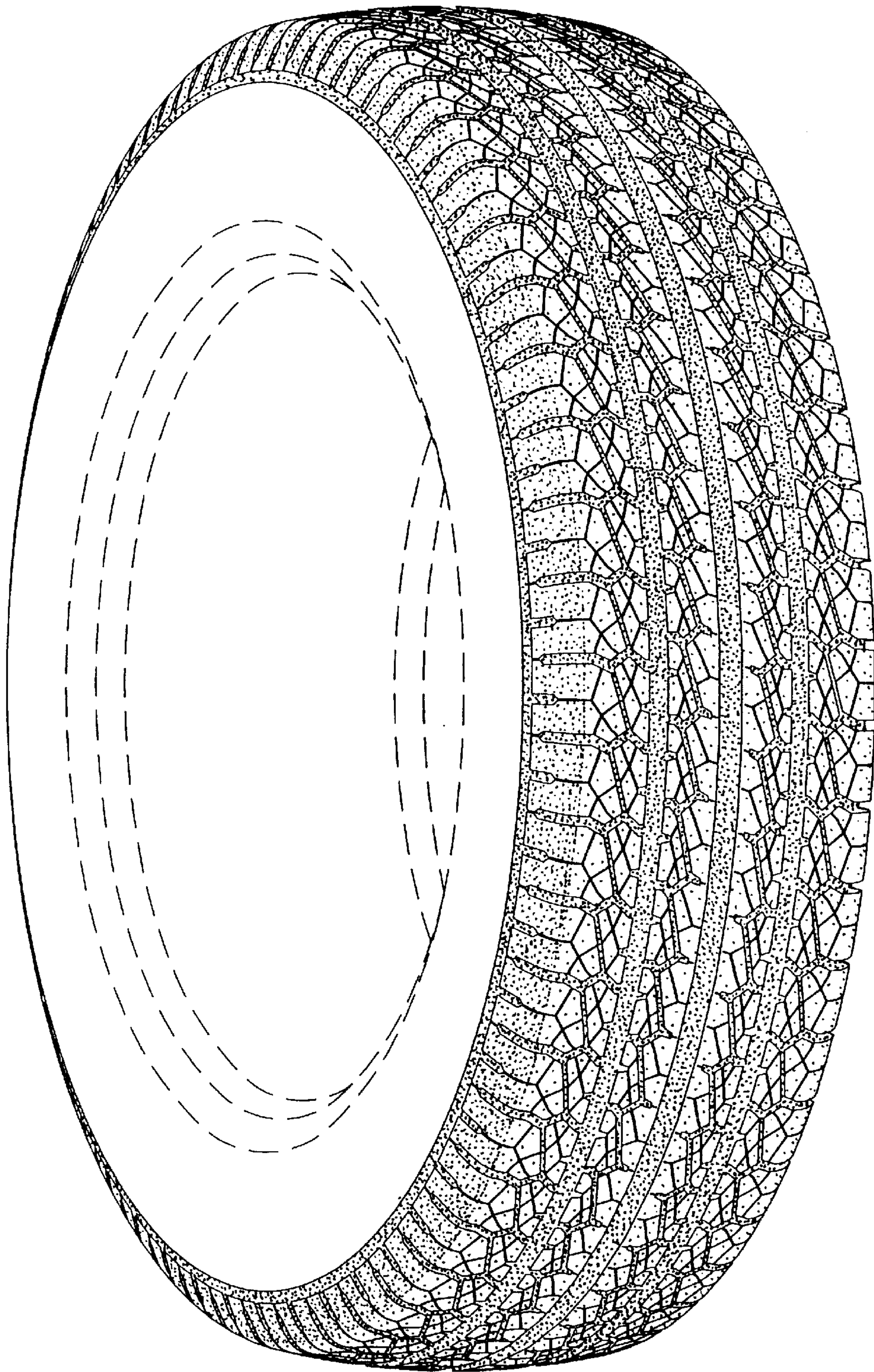
FIG. 2 is an enlarged fragmentary front elevation view of the tire tread thereof.

The broken line disclosure of the tire sidewall and inner bead is for illustrative purposes only and forms no part of the claimed design.

**1 Claim, 2 Drawing Sheets**

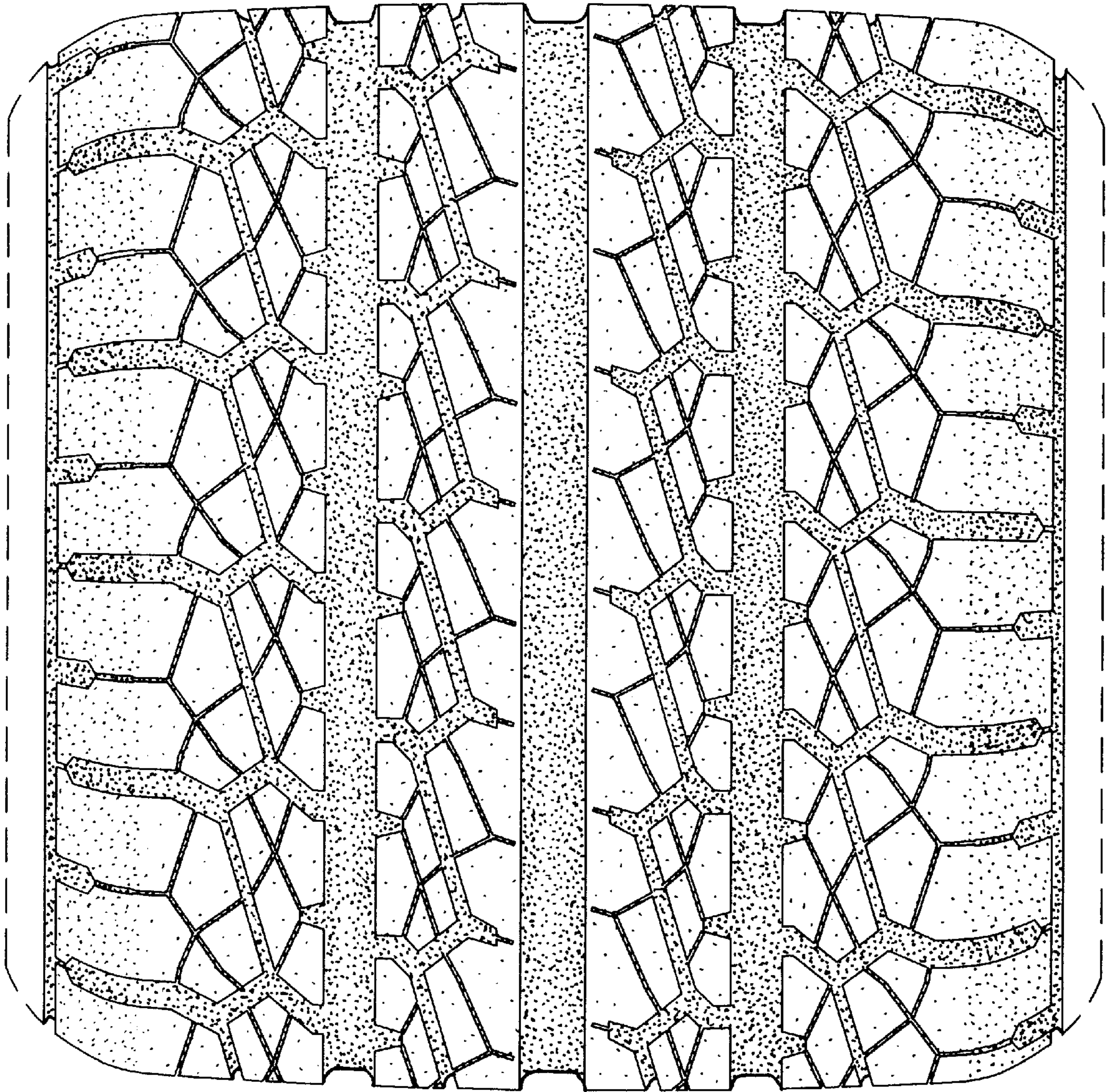






*Fig. 1*





*Fig. 2*