



US00D418459S

United States Patent [19]

Graas et al.

[11] Patent Number: **Des. 418,459**

[45] Date of Patent: **** Jan. 4, 2000**

[54] **TIRE TREAD**

[75] Inventors: **Maurice Graas**, Reichlange; **Leo Joseph Hitzky**, Walferdange, both of Luxembourg; **Alain René Denis Simeon**, Arlon; **Christian Labbe**, Meix-le-Tige, both of Belgium

[73] Assignee: **The GoodYear Tire & Rubber Company**, Akron, Ohio

[**] Term: **14 Years**

[21] Appl. No.: **29/099,843**

[22] Filed: **Jan. 29, 1999**

[51] **LOC (7) Cl.** **12-15**

[52] **U.S. Cl.** **D12/147**

[58] **Field of Search** D12/136-152;
152/209.1, 209.8, 209.9, 209.11, 209.13,
209.16, 209.28, 901, 902, 903

[56] **References Cited**

U.S. PATENT DOCUMENTS

- D. 287,840 1/1987 Ono .
- D. 288,083 2/1987 Takeuchi .
- D. 303,514 9/1989 Collette et al. D12/147
- D. 308,190 5/1990 Fetty et al. .
- D. 345,535 3/1994 Shinohara et al. D12/147
- D. 347,812 6/1994 Simpson .
- D. 368,690 4/1996 Heinen et al. .
- D. 385,831 11/1997 Lim et al. .
- D. 385,832 11/1997 Lim et al. .
- D. 388,035 12/1997 Heinen et al. .
- D. 389,102 1/1998 Gillard et al. .
- D. 391,203 2/1998 Gillard et al. .

- D. 400,833 11/1998 Legge et al. D12/147
- D. 402,242 12/1998 Guspodin et al. .
- 4,913,208 4/1990 Anderson et al. .

OTHER PUBLICATIONS

- Atlas Pinnacle Tire, 1997 Tread Design Guide, p. 11. 4/1, Jan. 1997.
- Cordovan Ultrex II Tire, 1997 Tread Design Guide, p. 21. 4/2, Jan. 1997.
- GoodYear Invicta GL Tire, 1997 Tread Design Guide, p. 37. 4/1, Jan. 1997.
- Kumho 795 Touring A/S Tire, 1997 Tread Design Guide, p. 44. 4/4, Jan. 1997.

Primary Examiner—Robert M. Spear
Attorney, Agent, or Firm—T P Lewandowski

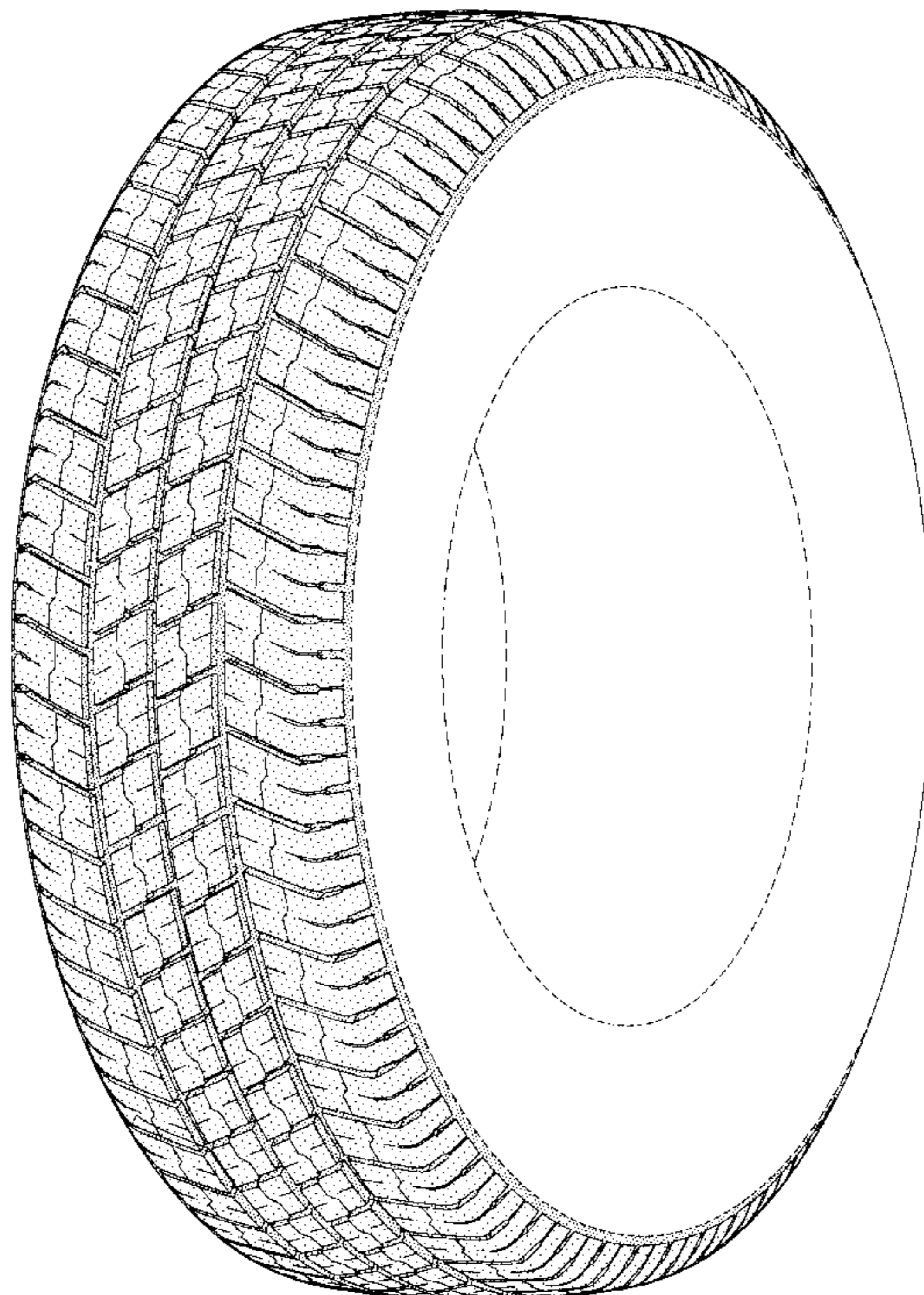
[57] **CLAIM**

The ornamental design for a tire tread, as shown and described.

DESCRIPTION

FIG. 1 is a perspective view of a tire tread showing our new design, it being understood that the pattern repeats uniformly throughout the circumference of the tread;
 FIG. 2 is a front elevational view thereof;
 FIG. 3 is a side elevational view thereof, the opposite side elevational view being identical thereto; and,
 FIG. 4 is an enlarged fragmentary perspective view.
 In the drawings, the broken lines defining the inner bead of the sidewall and the peripheral boundary between the tire tread and the sidewall are for illustrative purposes only and form no part of the claimed design.

1 Claim, 4 Drawing Sheets



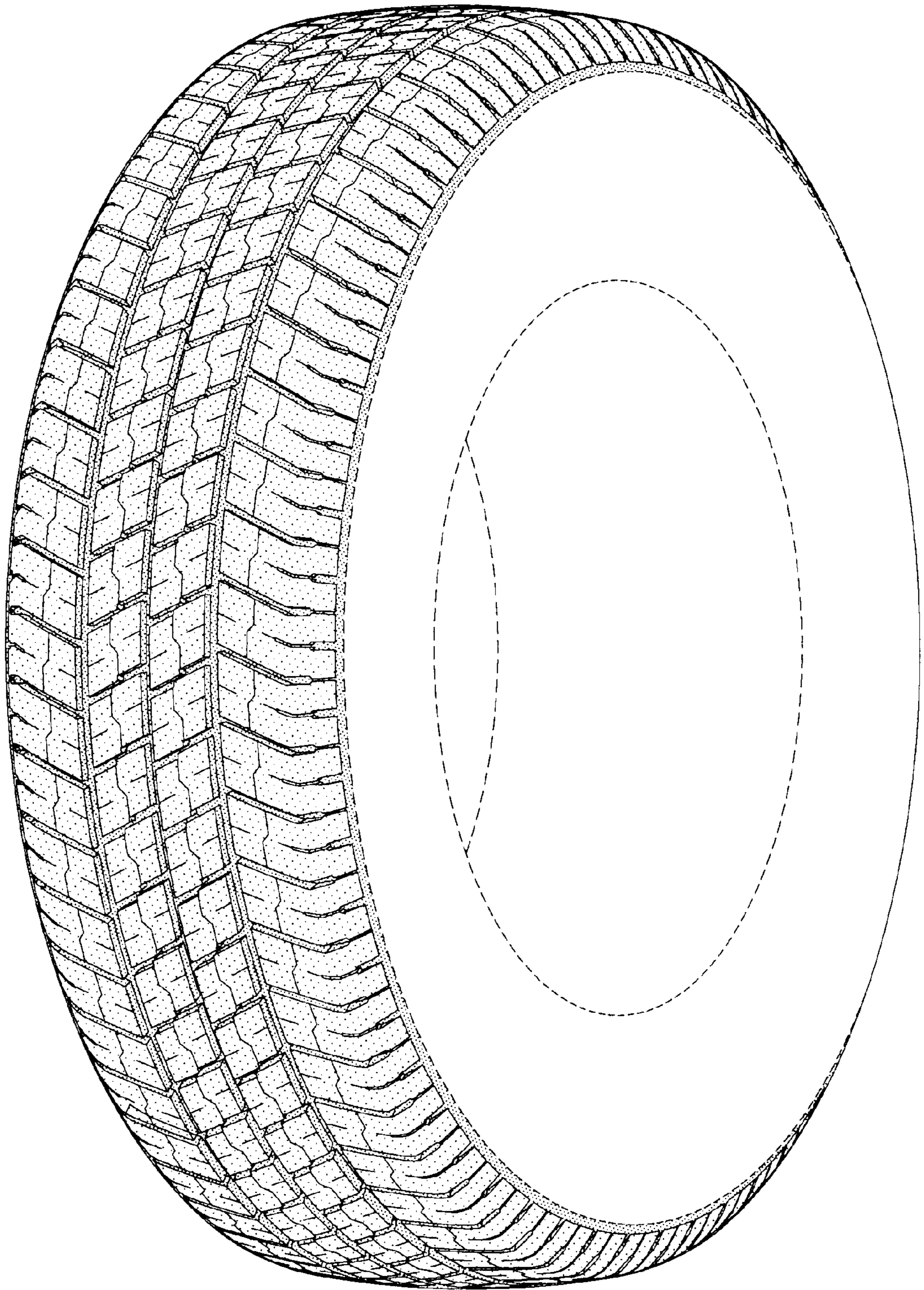


FIG-1

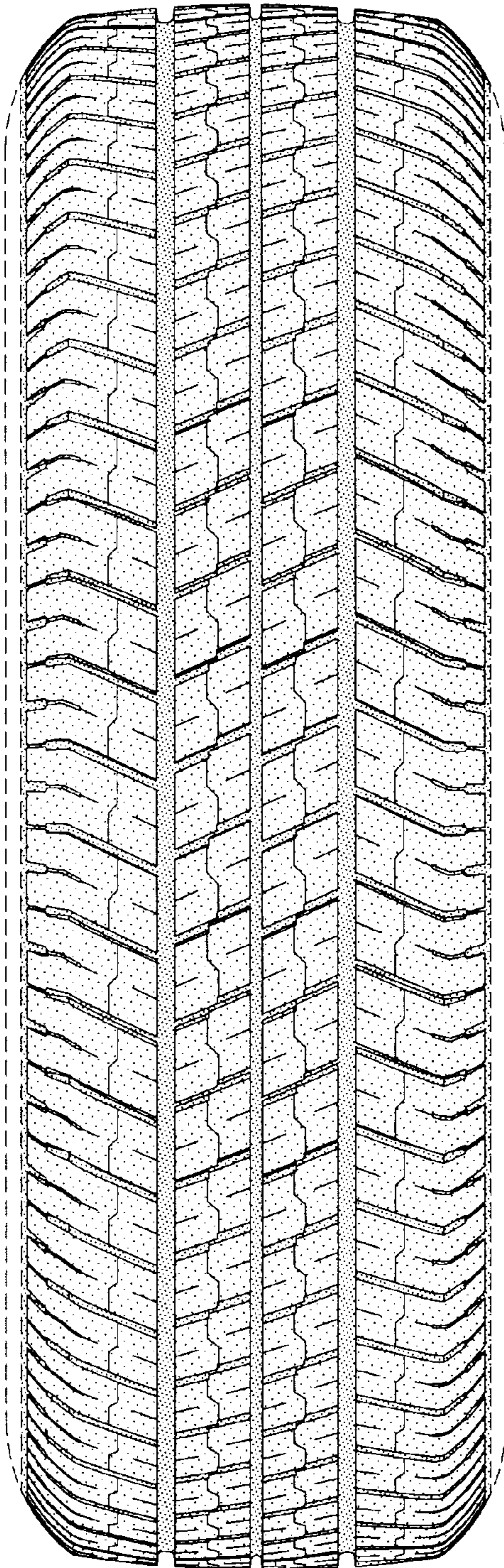


FIG-2

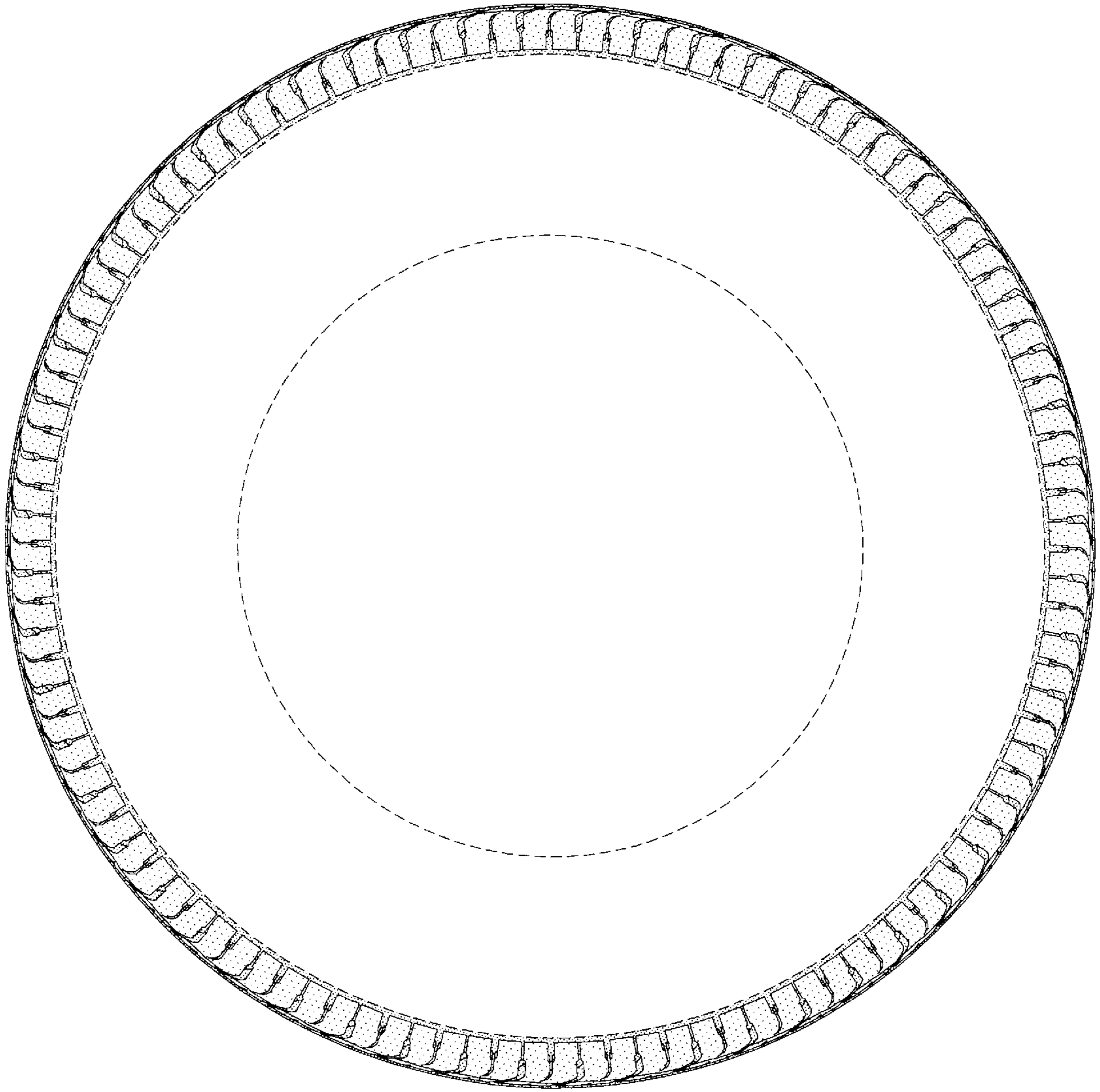


FIG-3

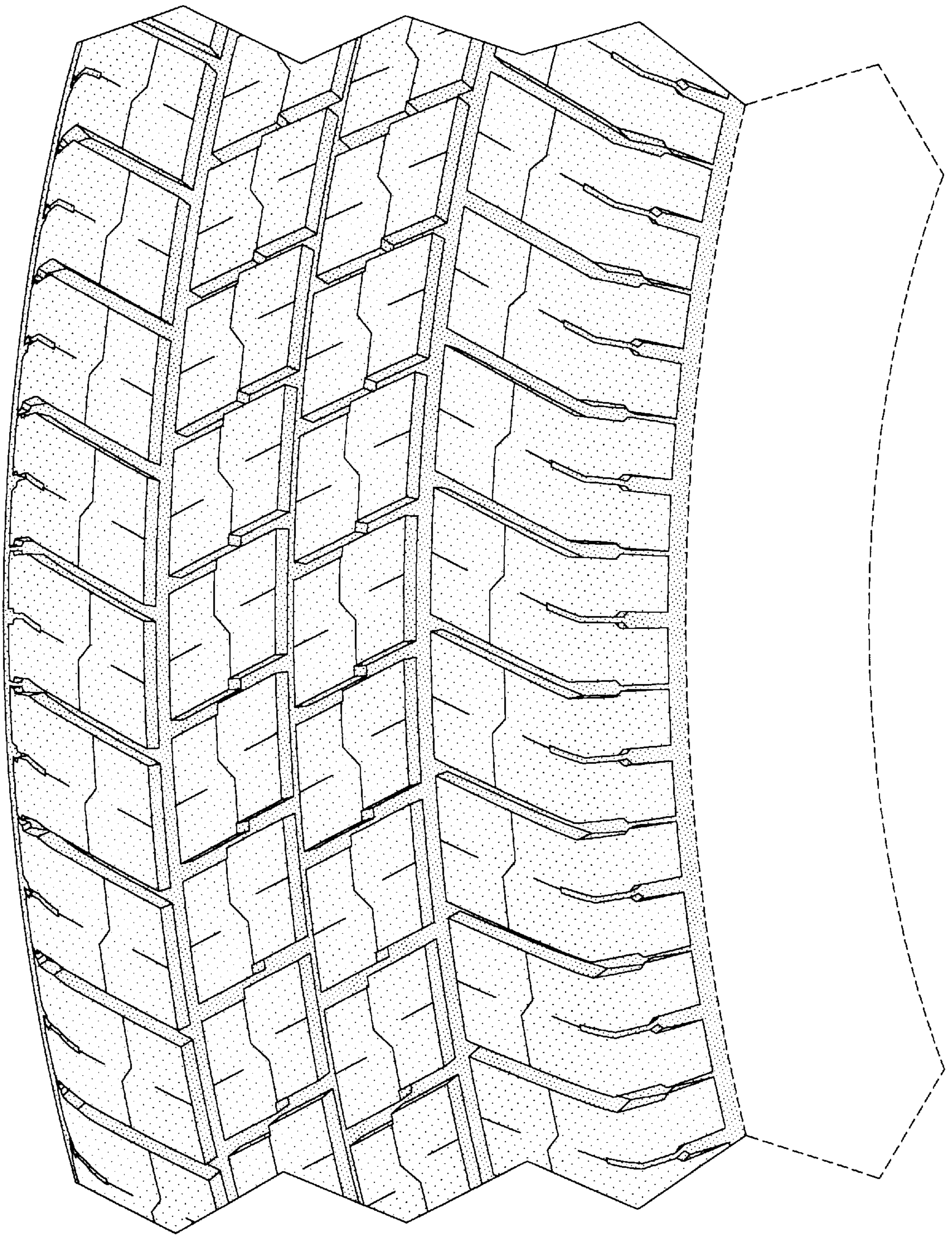


FIG-4