



US00D418452S

United States Patent [19]
Van Vleet

[11] **Patent Number: Des. 418,452**
[45] **Date of Patent: ** Jan. 4, 2000**

[54] **TRAILER HITCH STUD**

5,087,064 2/1992 Guhlin 280/511 X
5,169,168 12/1992 Harry et al. 280/511

[76] Inventor: **Robert D. Van Vleet**, 405 12th St.,
Sidney, Nebr. 69162

Primary Examiner—Melody N. Brown
Attorney, Agent, or Firm—Greer, Burns & Crain, Ltd.

[**] Term: **14 Years**

[57] **CLAIM**

[21] Appl. No.: **29/070,813**

The ornamental design for a trailer hitch stud, as shown and described.

[22] Filed: **May 15, 1997**

[51] **LOC (7) Cl.** **12-16**

[52] **U.S. Cl.** **D12/106**

[58] **Field of Search** D12/162; 280/507,
280/511-513

DESCRIPTION

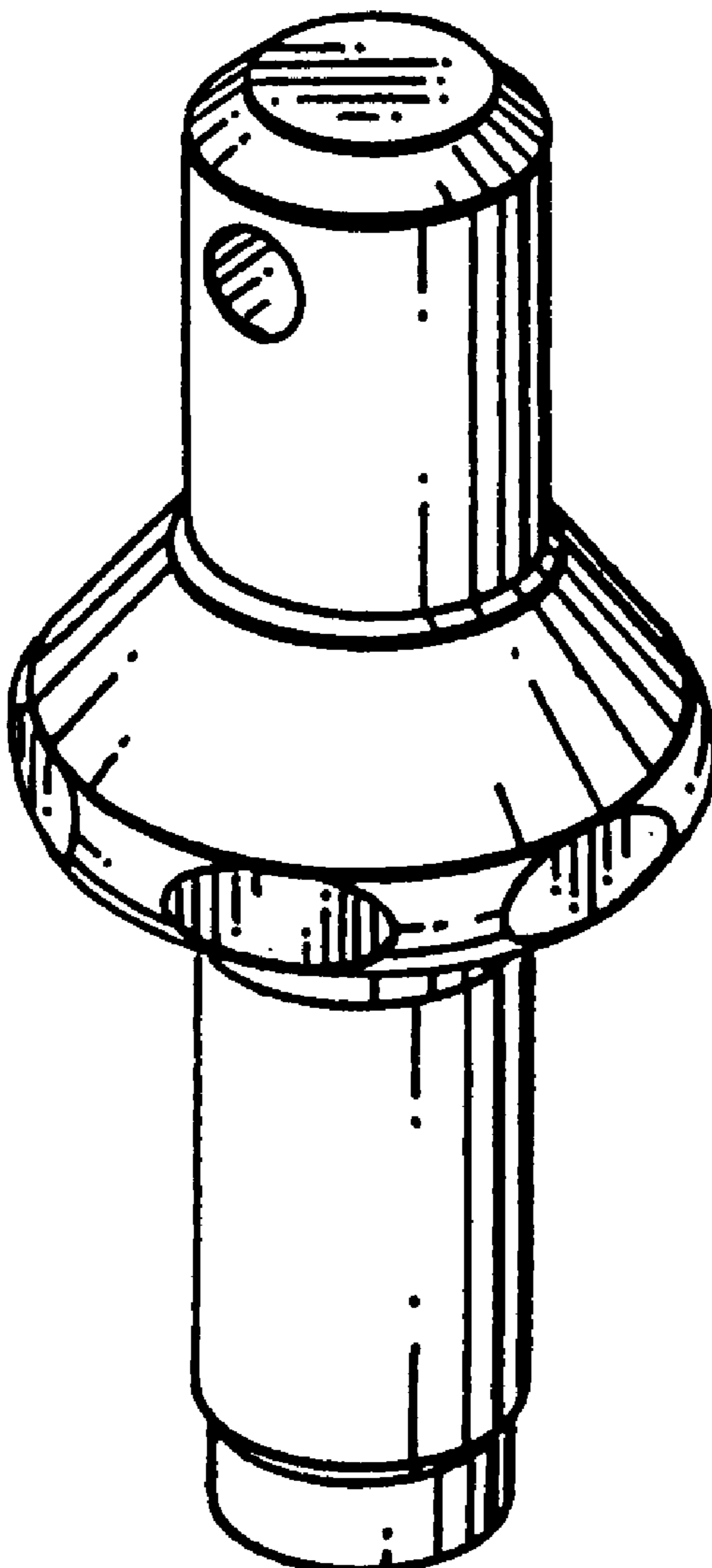
FIG. 1 is a perspective view of my new design of a trailer hitch stud;
FIG. 2 is a top plan view of the trailer hitch stud;
FIG. 3 is a bottom plan view of the trailer hitch stud;
FIG. 4 is a front view of the trailer hitch stud; and,
FIG. 5 is a side view thereof.

[56] **References Cited**

U.S. PATENT DOCUMENTS

D. 370,881 6/1996 Thomas D12/161
5,085,452 2/1992 Janiero 280/511

1 Claim, 1 Drawing Sheet



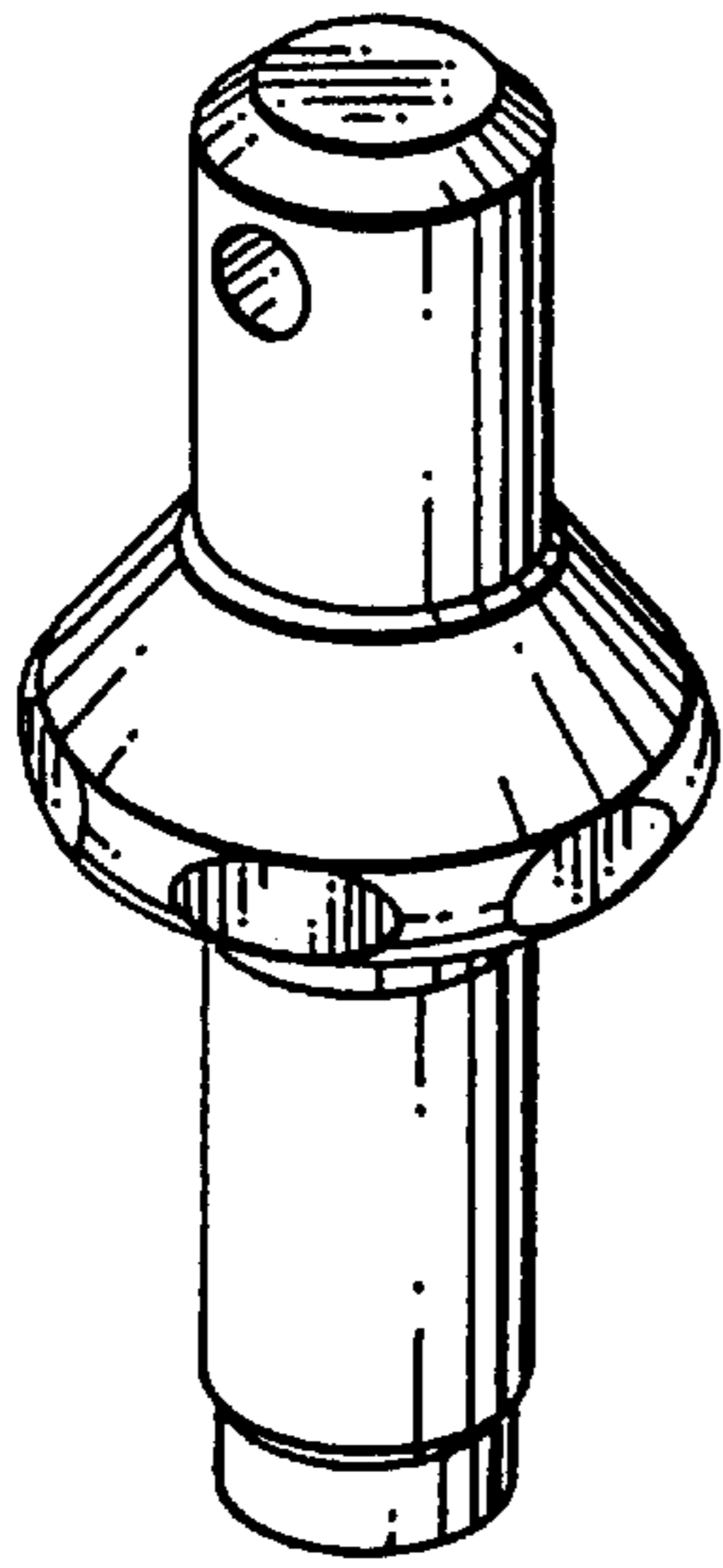


Fig. 1

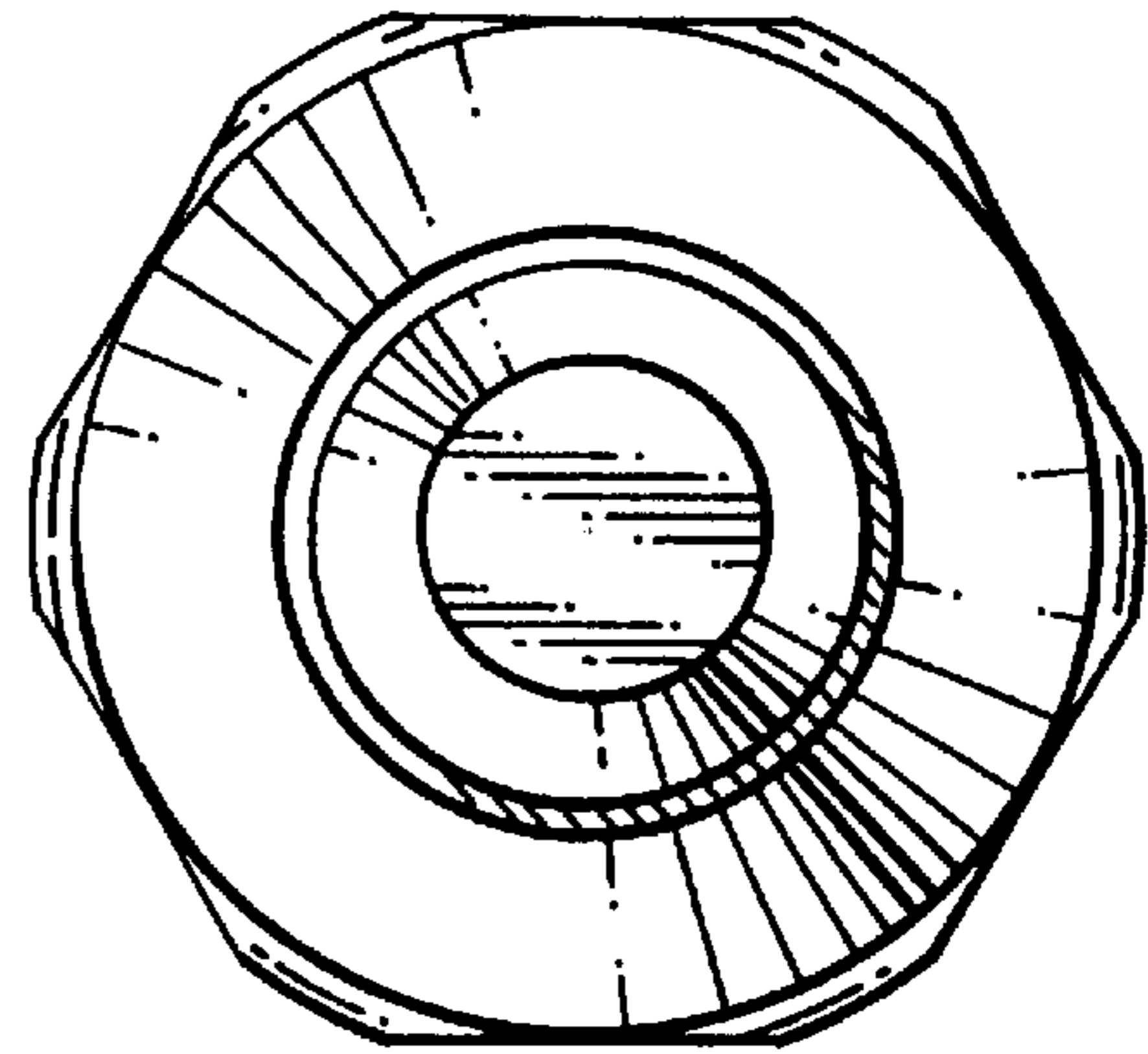


Fig. 2

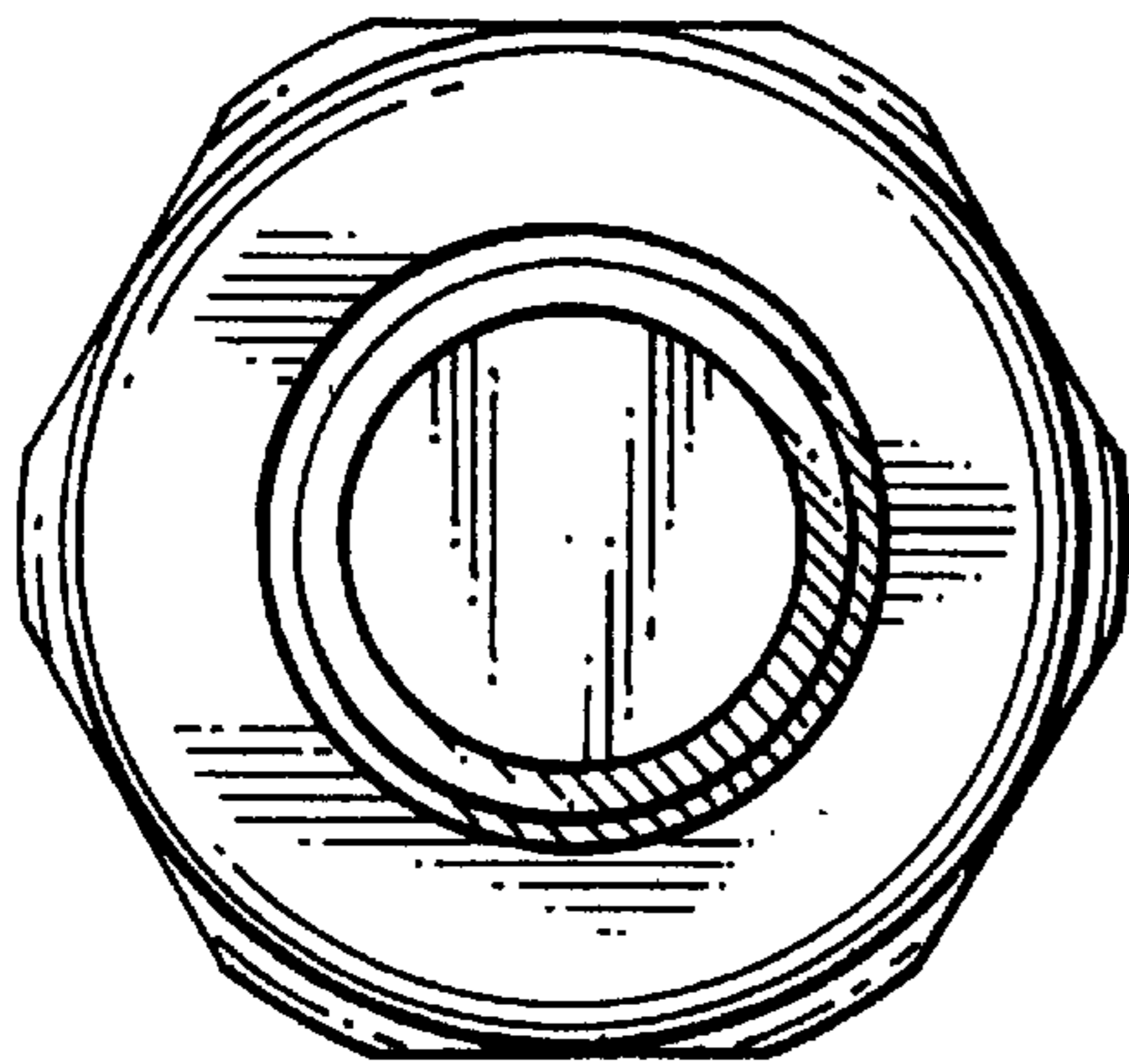


Fig. 3

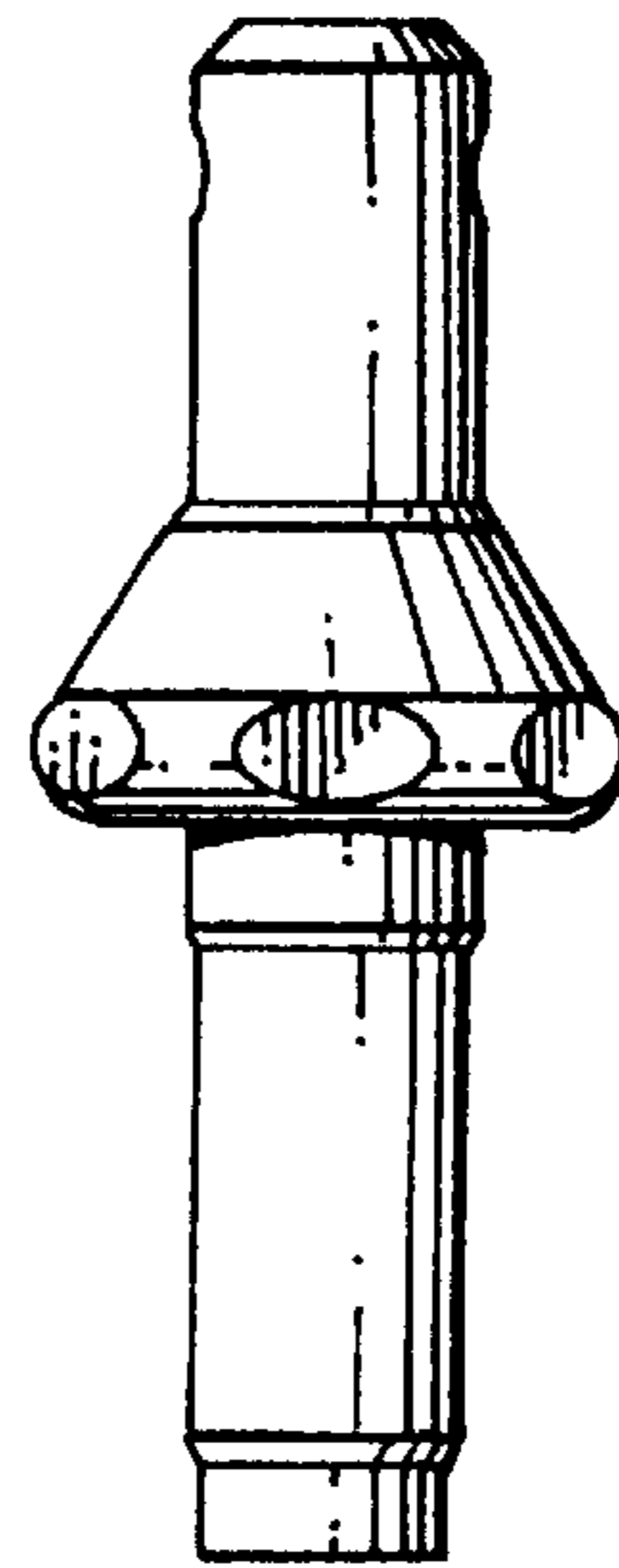


Fig. 4

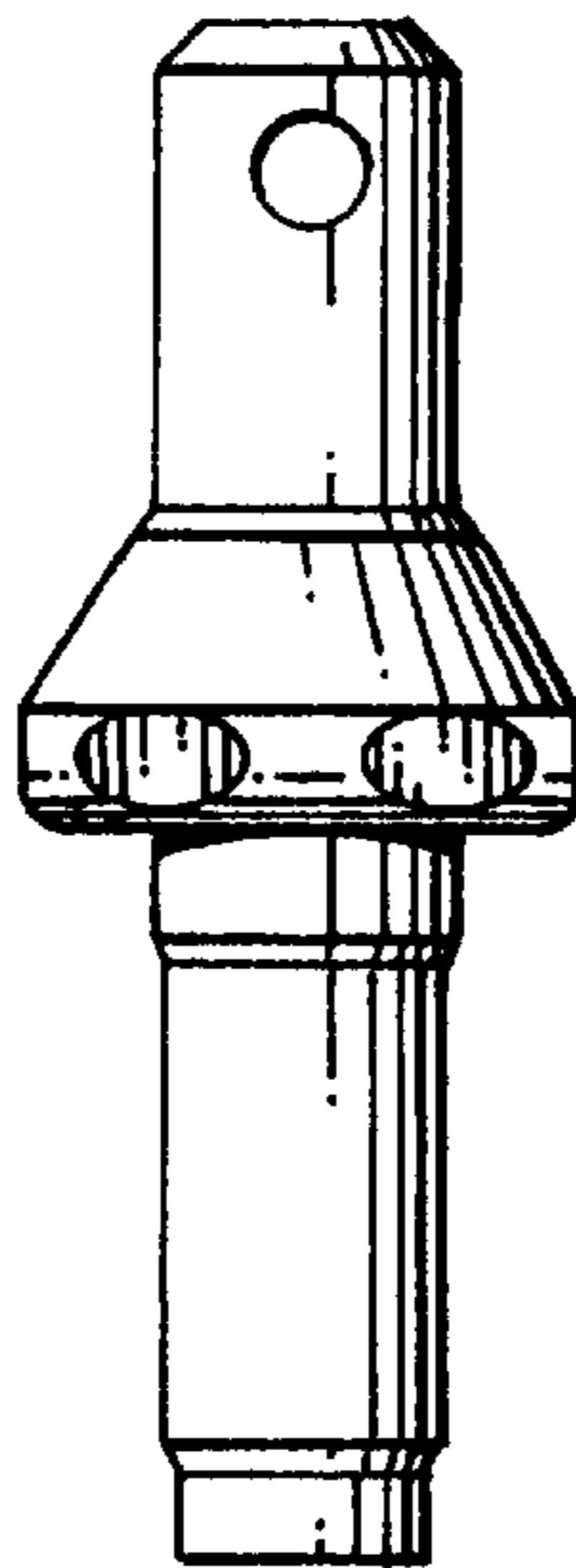


Fig. 5