



US00D418446S

**United States Patent** [19]

[11] **Patent Number: Des. 418,446**

**Chia et al.**

[45] **Date of Patent: \*\* Jan. 4, 2000**

[54] **JEWELRY COMPONENT**

[76] Inventors: **Meang Chia; Cheo Chia; Huy Kim Chia**, all of Chain & Charm Manufacturers, 412 W. 6th St., Suite #1104, Los Angeles, Calif. 90014

[\*\*] Term: **14 Years**

[21] Appl. No.: **29/098,059**

[22] Filed: **Dec. 21, 1998**

**Related U.S. Application Data**

[62] Division of application No. 29/070,204, May 7, 1997, Pat. No. Des. 406,247.

[51] **LOC (7) Cl.** ..... **11-01**

[52] **U.S. Cl.** ..... **D11/93**

[58] **Field of Search** ..... D11/1-26, 35, D11/40, 89-94, 54, 56, 76, 48; 63/32, 1.1, 2, 15, 27, 4; 59/80

[56] **References Cited**

**U.S. PATENT DOCUMENTS**

- D. 314,929 2/1991 Chia et al. .
- D. 319,033 8/1991 Chia et al. .

(List continued on next page.)

*Primary Examiner*—Ralf Seifert  
*Attorney, Agent, or Firm*—Ladas & Parry

[57] **CLAIM**

The ornamental design for a jewelry component, as shown and herein described.

**DESCRIPTION**

FIG. 1 is a perspective view of a first embodiment of my jewelry component shown in a position of use, the broken line showing of the adjoining components is for illustrative purposes only and forms no part of the claimed design;

FIG. 2 is a perspective view;

FIG. 3 is a top plan view;

FIG. 4 is a side elevational view, of which the opposite view is a mirror image;

FIG. 5 is a perspective view of my a jewelry component showing a second embodiment of my a new design;

FIG. 6 is a side elevational view, of which the opposite view is a mirror image;

FIG. 7 is a right side view of FIG. 5, of which the opposite view is a mirror image;

FIG. 8 is a perspective view of a third embodiment of my jewelry component shown in a position of use, the broken line showing of the adjoining components is for illustrative purposes only and forms no part of the claimed design;

FIG. 9 is a perspective view;

FIG. 10 is a top plan view;

FIG. 11 is a side elevational view, of which the opposite view is a mirror image;

FIG. 12 is a perspective view of my jewelry component showing a fourth embodiment of my a new design;

FIG. 13 is a side elevational view, of which the opposite view is a mirror image;

FIG. 14 is a right side view of FIG. 13, of which the opposite view is a mirror image;

FIG. 15 is a is a perspective view of a fifth embodiment of my jewelry component shown in a position of use, the broken line showing of the adjoining components is for illustrative purposes only and forms no part of the claimed design;

FIG. 16 is a perspective view;

FIG. 17 is a top plan view;

FIG. 18 is a side elevational view, of which the opposite view is a mirror image;

FIG. 19 is a cross-sectional view of line 19—19 of FIG. 17;

FIG. 20 is a perspective view of my a jewelry component showing a sixth embodiment of my new design;

FIG. 21 is a side elevational view, of which the opposite view is a mirror image;

FIG. 22 is a right side view of FIG. 21, of which the opposite view is a mirror image;

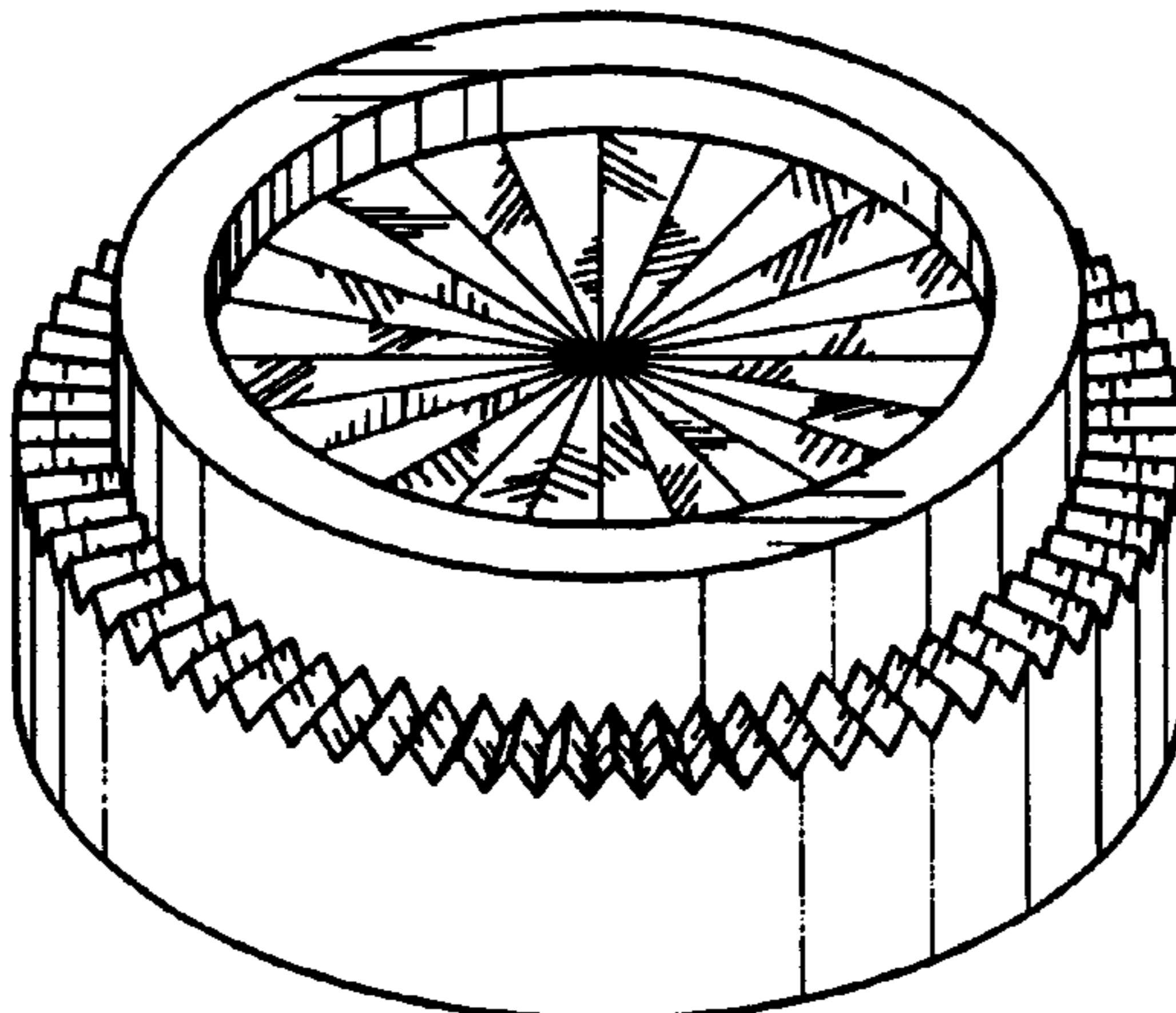
FIG. 23 is a perspective view of my a jewelry component showing a seventh embodiment of my new design;

FIG. 24 is a side elevational view, of which the opposite view is a mirror image; and,

FIG. 25 is a right side view of FIG. 24, of which the opposite view is a mirror image.

The surface(s) or portion(s) of the article not shown in the drawing or described in the specification form(s) no part of the claimed design.

**1 Claim, 7 Drawing Sheets**



# Des. 418,446

Page 2

---

U.S. PATENT DOCUMENTS						
D. 325,709	4/1992	Chia et al. .	D. 338,852	8/1993	Keshishian .....	D11/93
D. 329,401	9/1992	Chia et al. .	813,084	2/1906	Dover .....	63/26
D. 331,726	12/1992	Chia et al. .	1,189,497	7/1916	Schwartzman .....	59/80
D. 335,639	5/1993	Chia et al. ....	2,538,090	1/1951	Ferragamo .....	63/4
D. 337,070	7/1993	Chia et al. .	5,694,791	12/1997	Esposito .....	63/3

FIG. 1

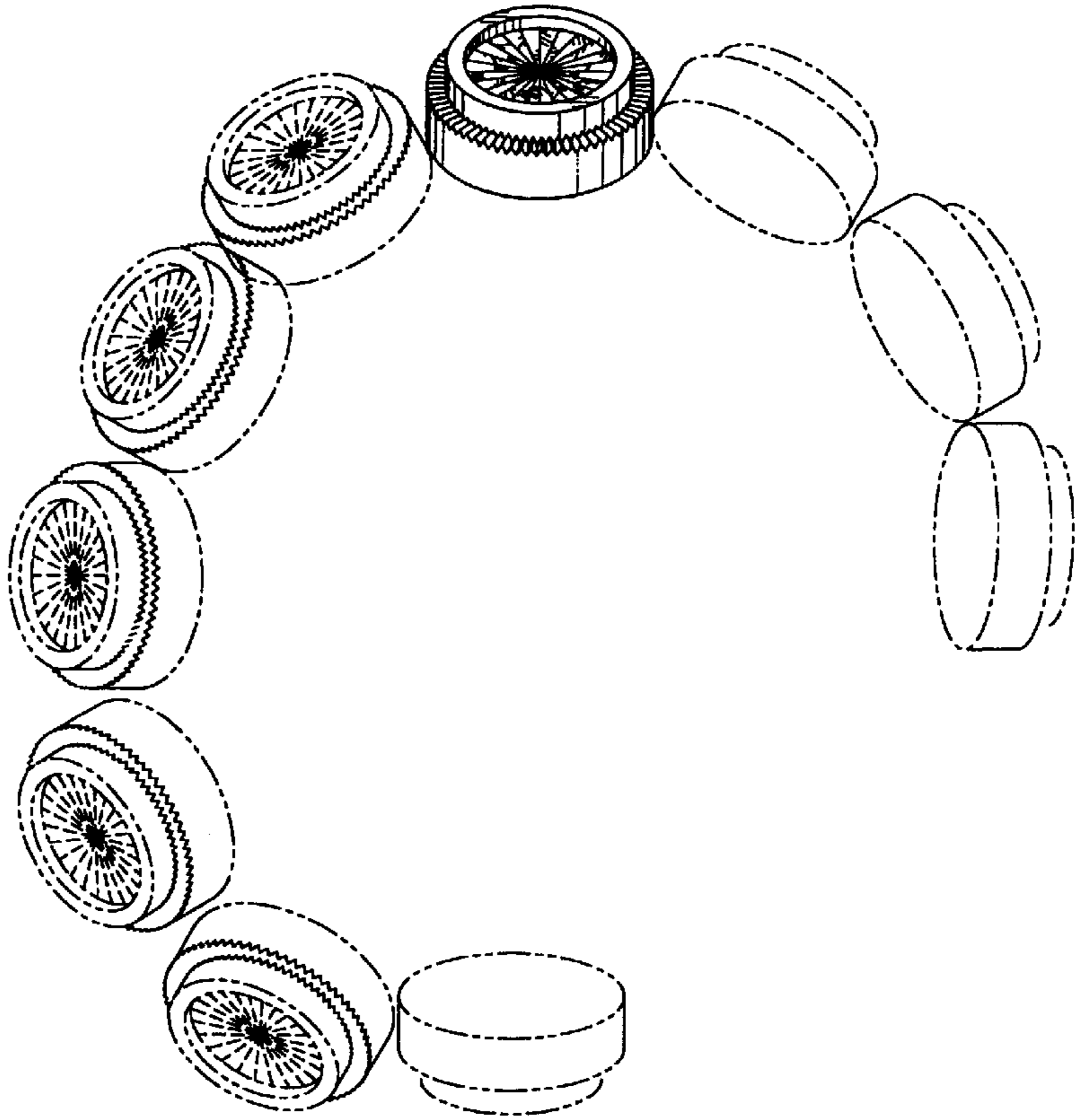


FIG. 2

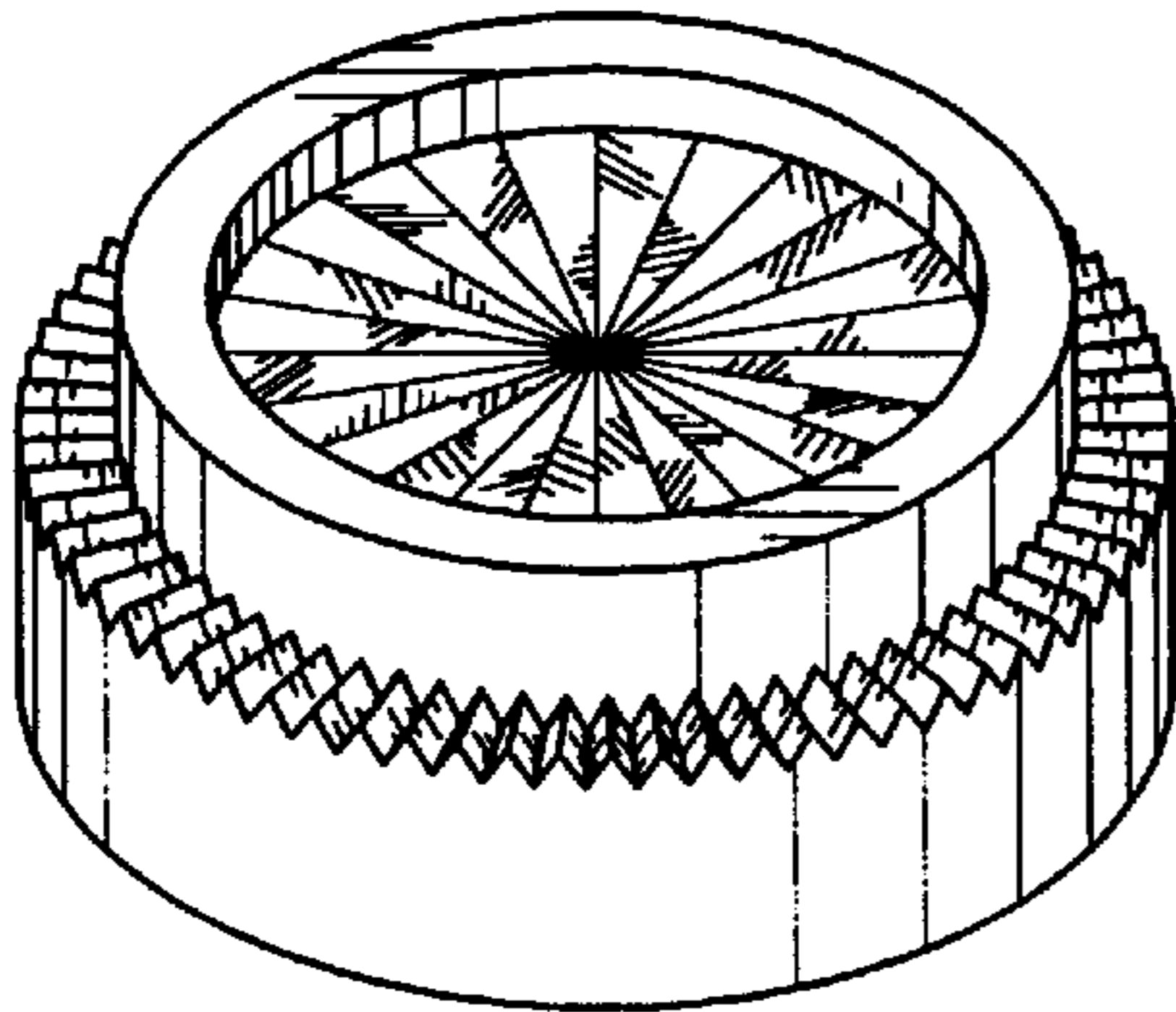


FIG. 3

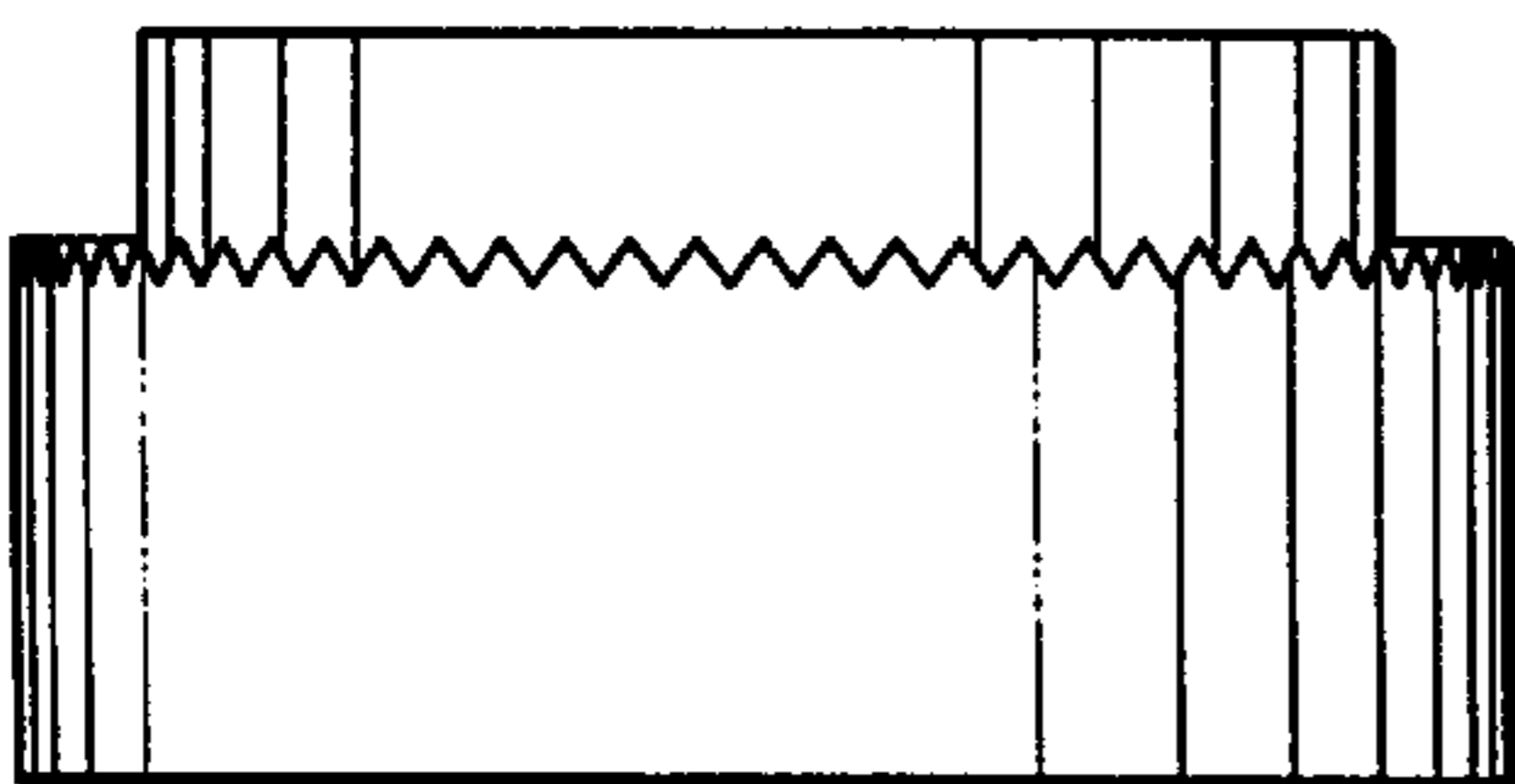
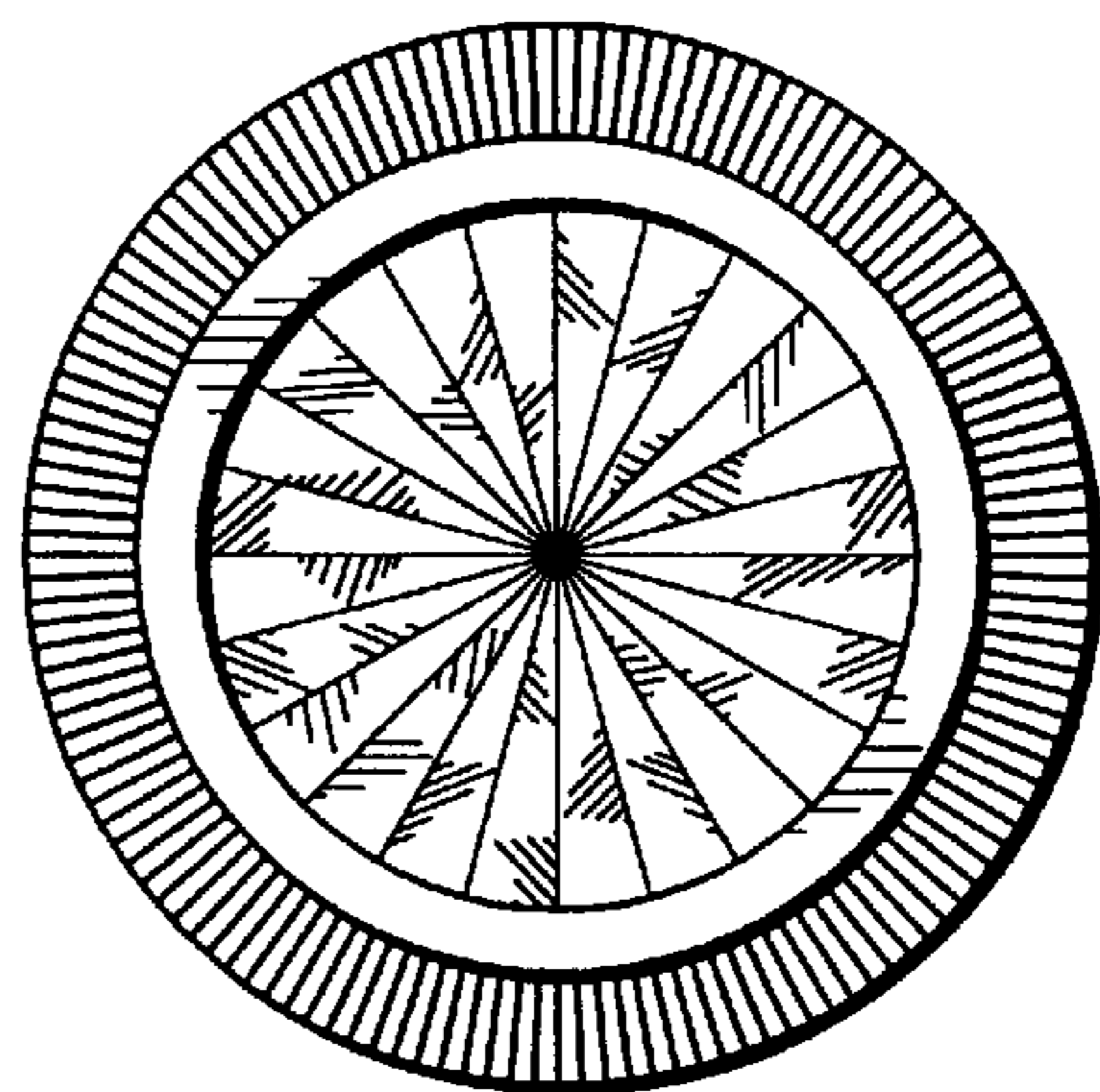


FIG. 4

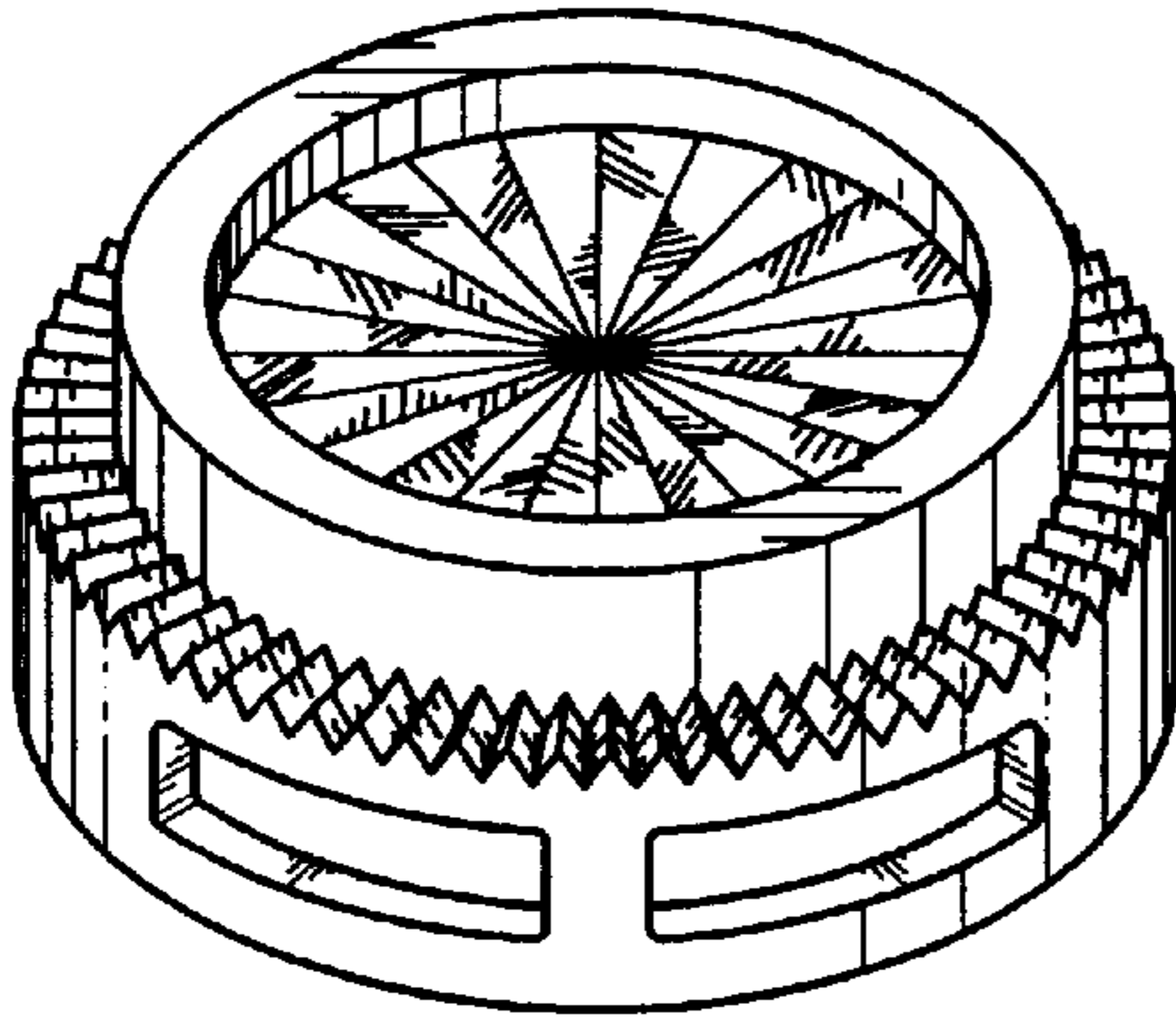


FIG. 5

FIG. 6

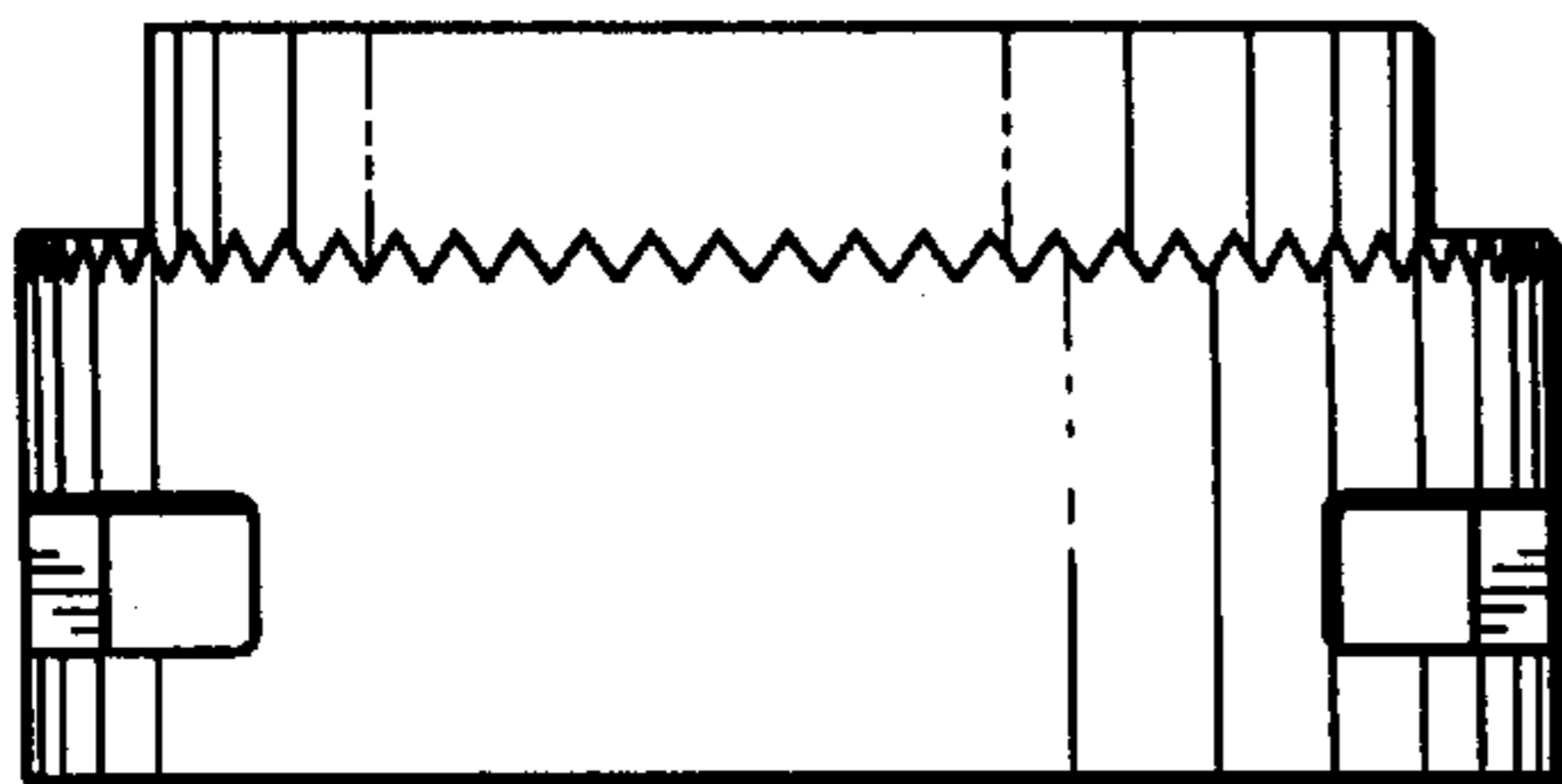
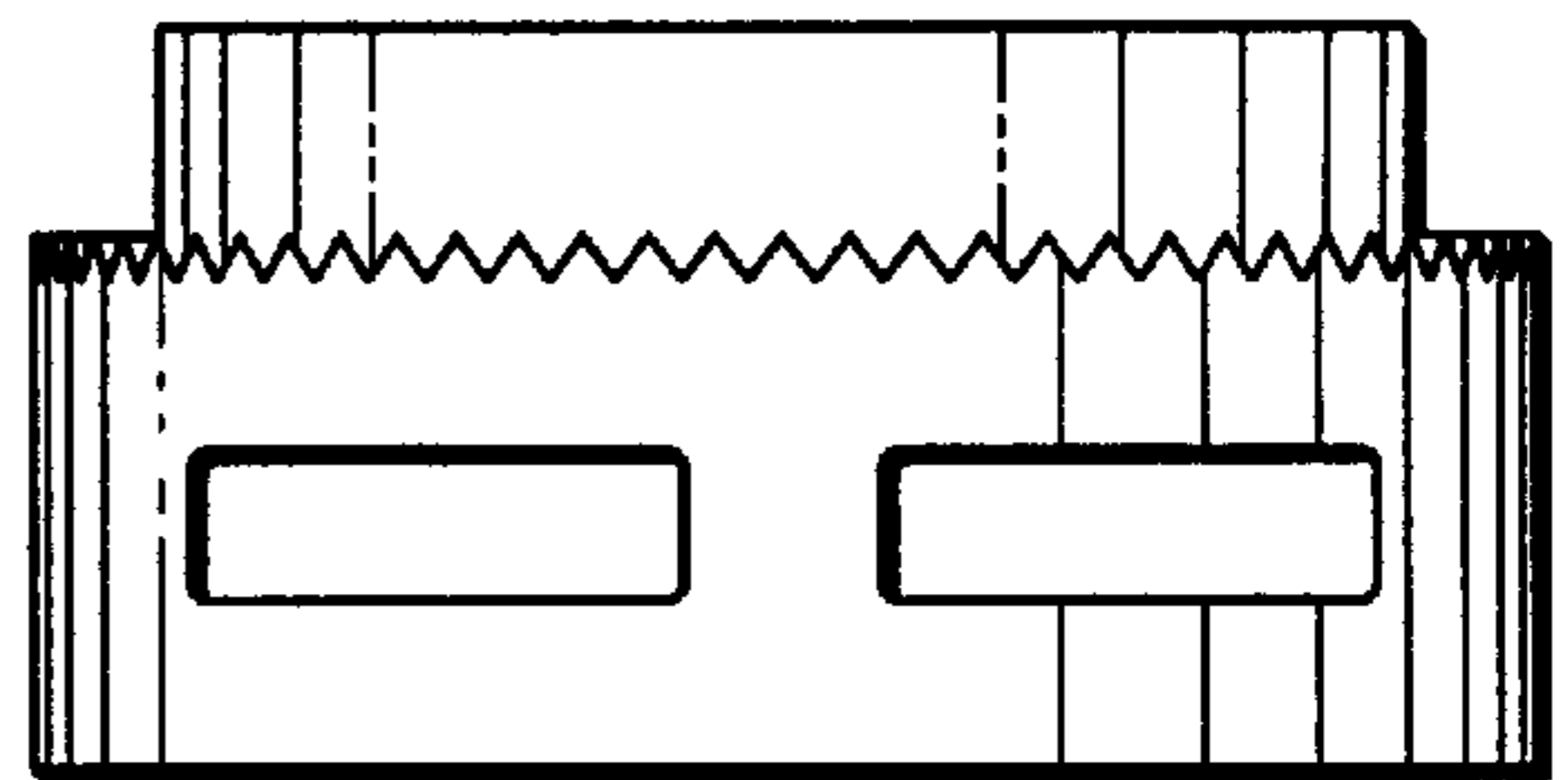


FIG. 7

FIG. 8

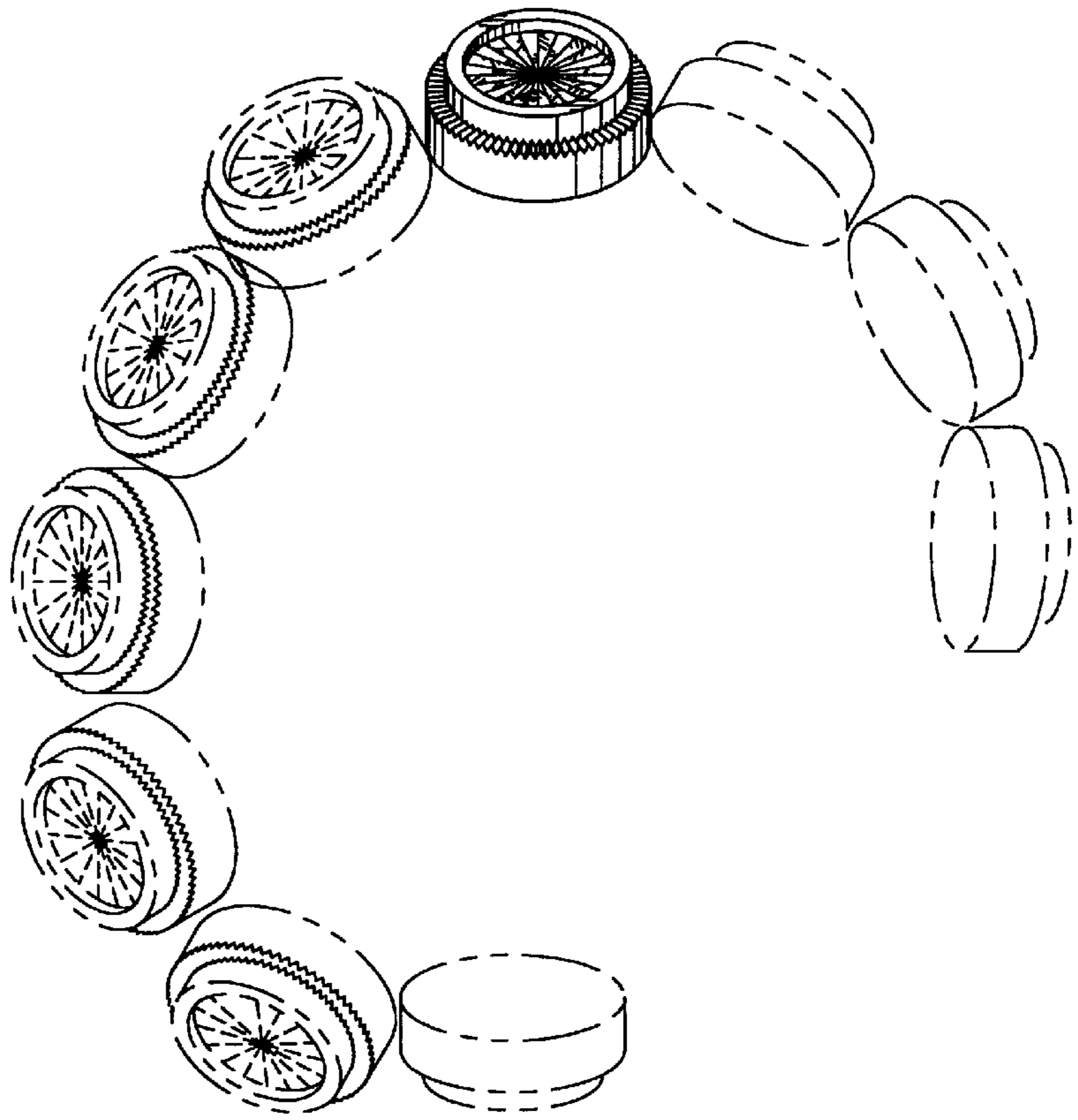


FIG. 9

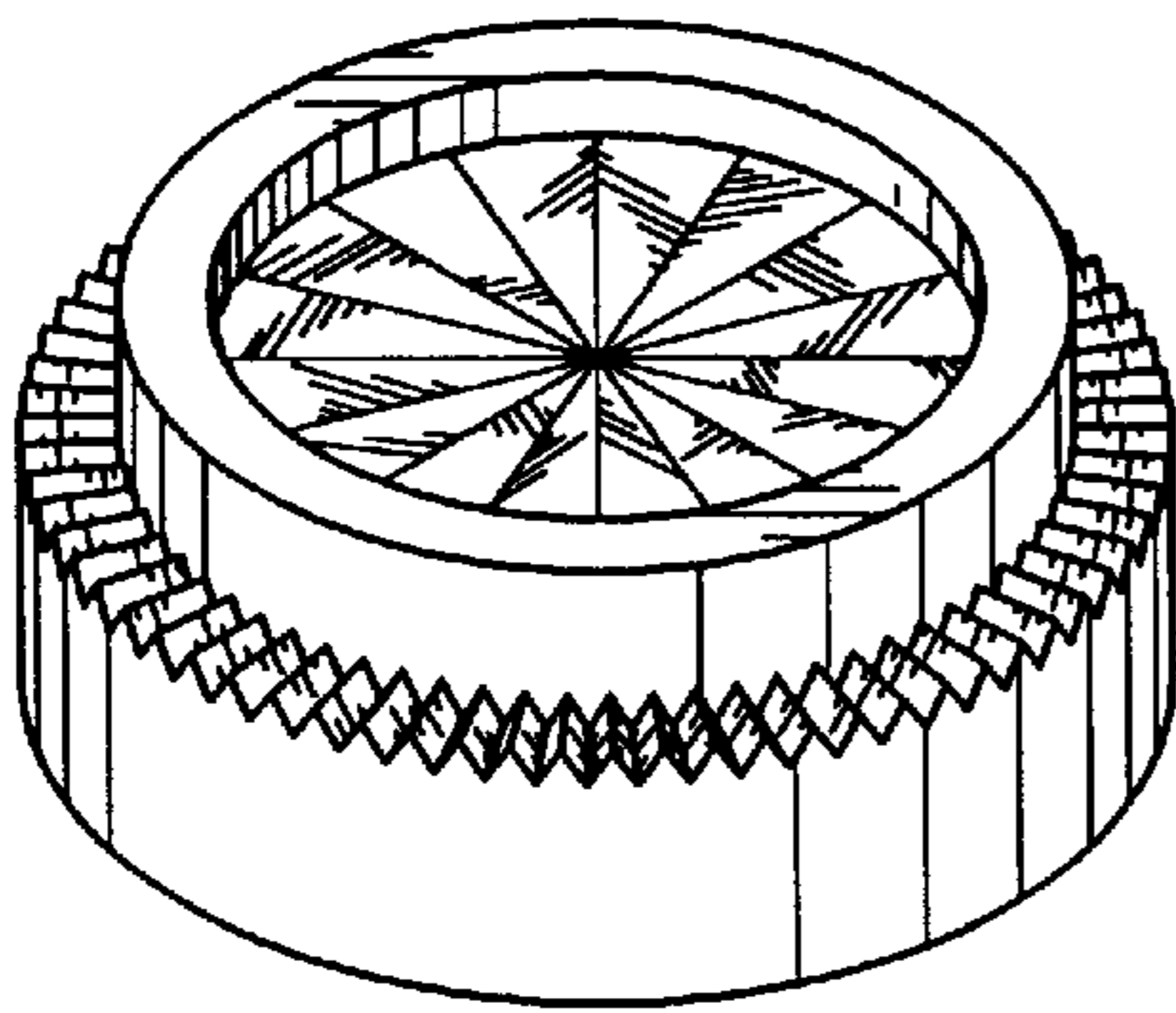


FIG. 10

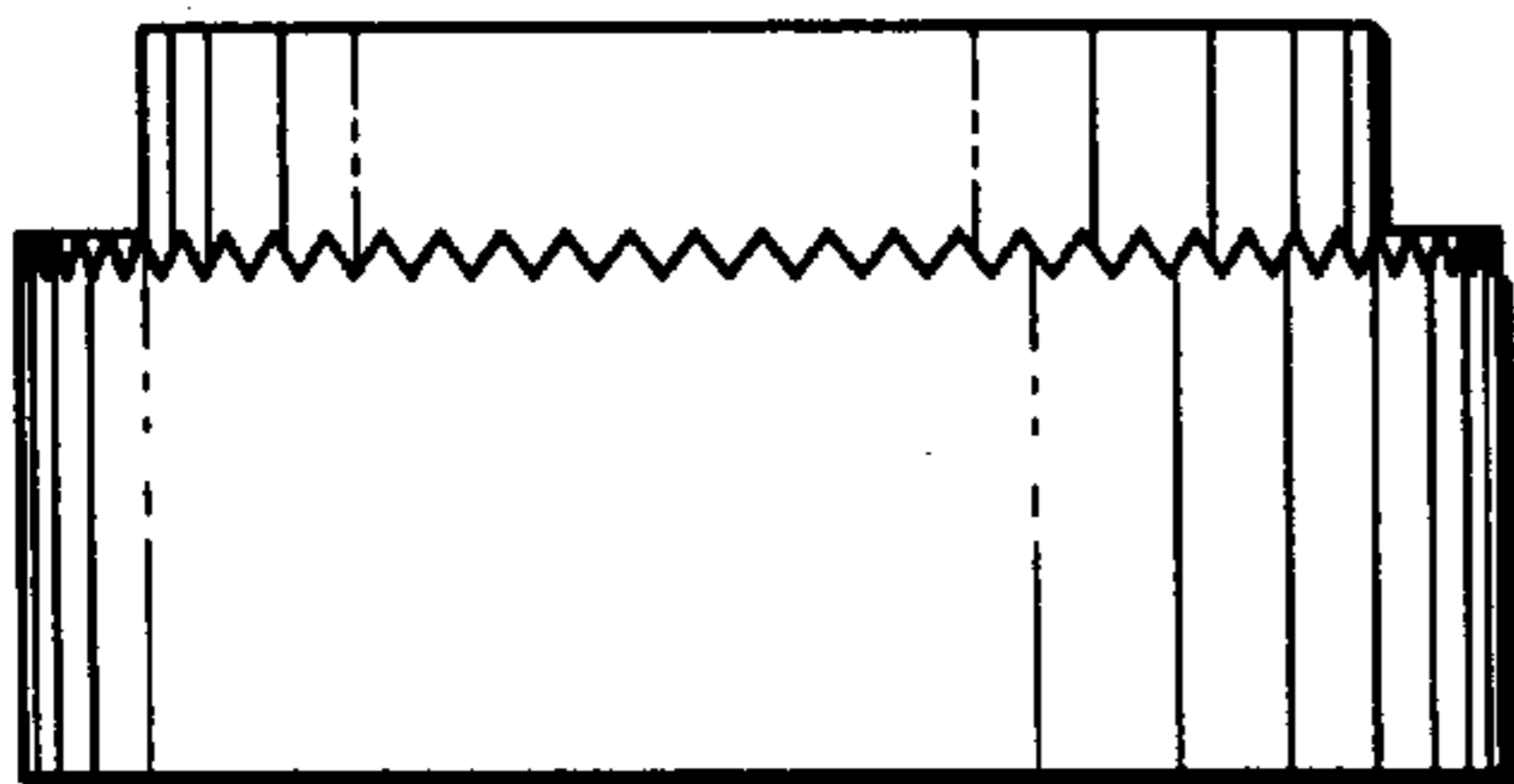
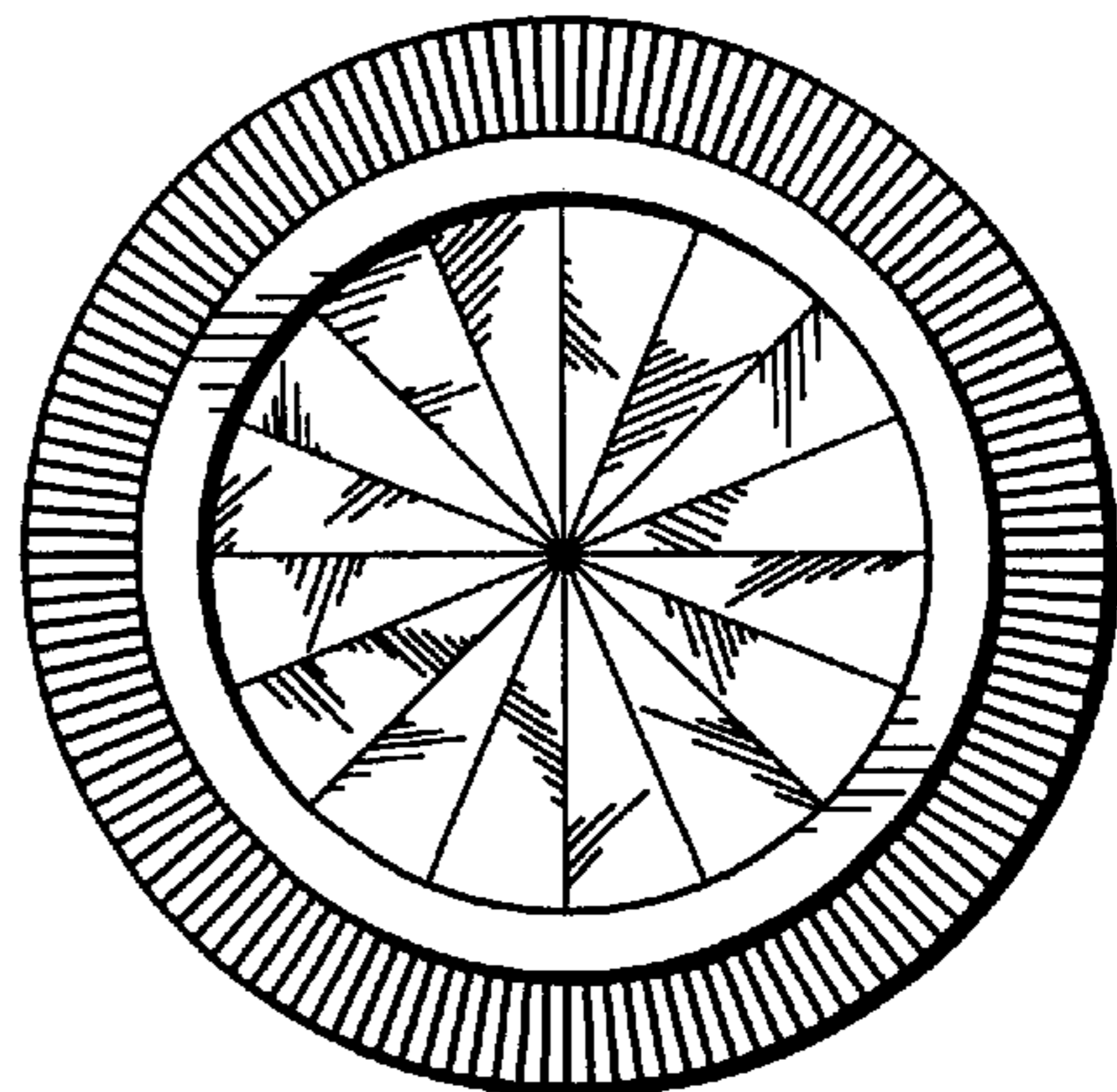


FIG. 11

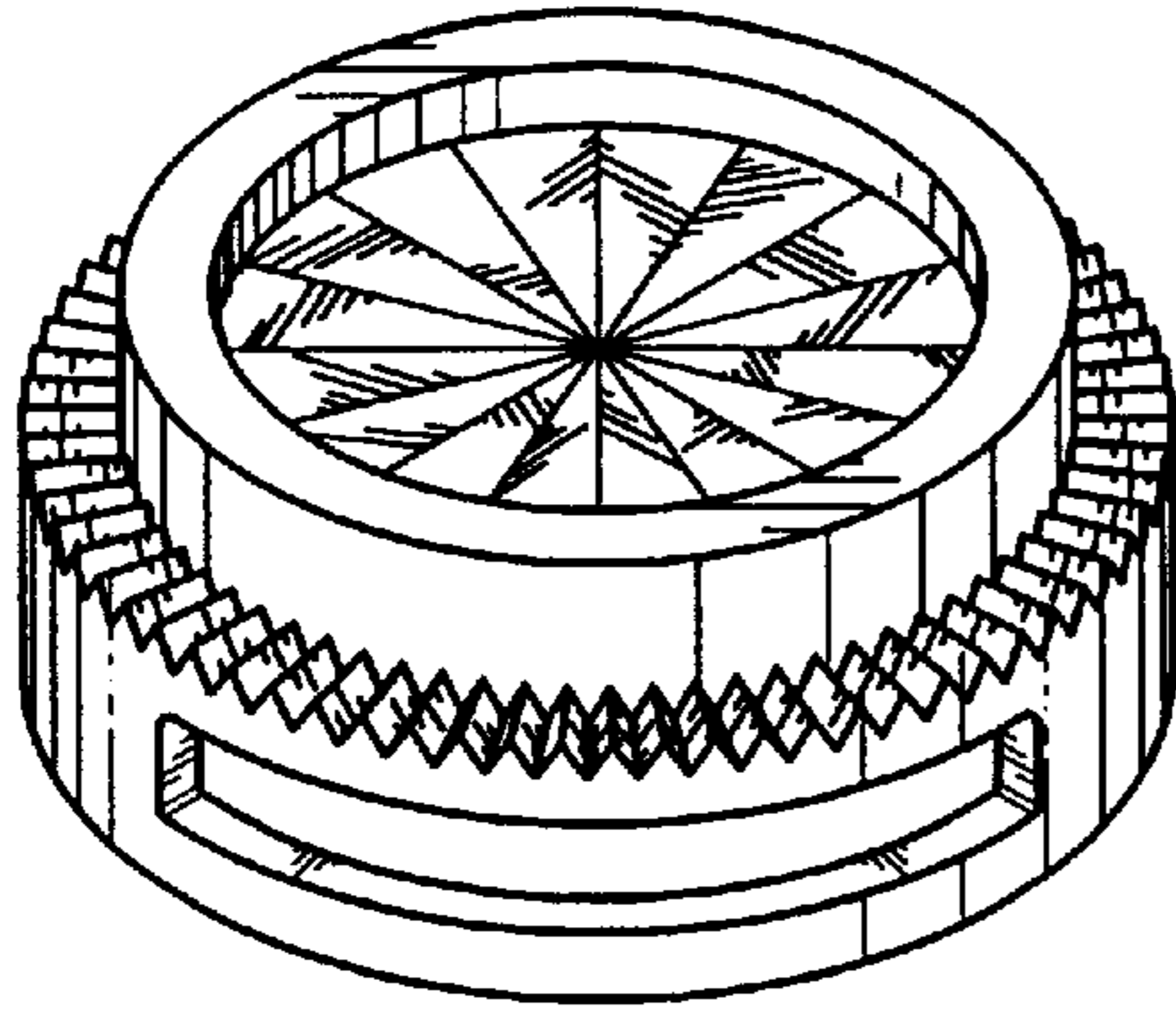


FIG. 12

FIG. 13

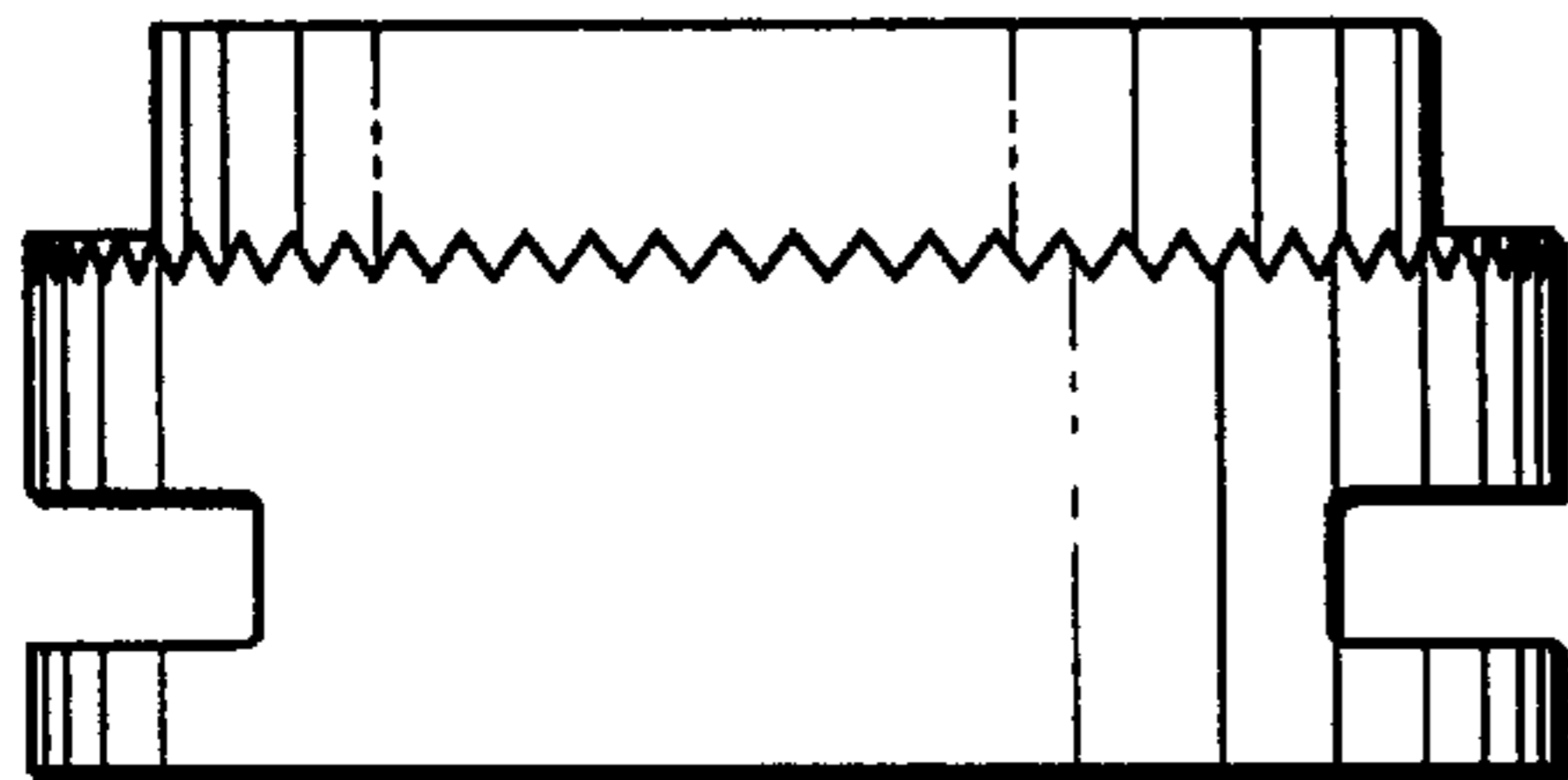
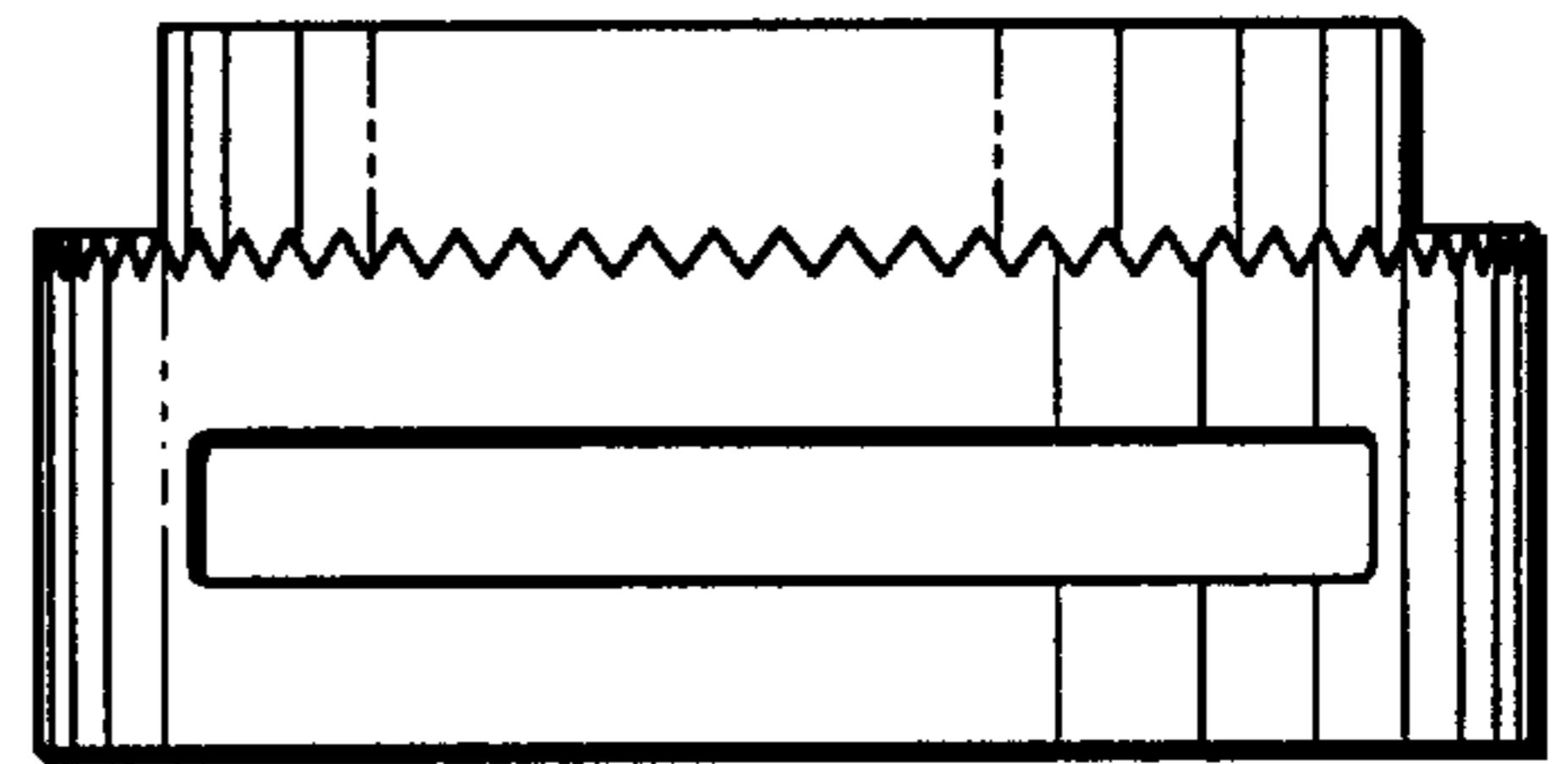


FIG. 14

FIG. 15

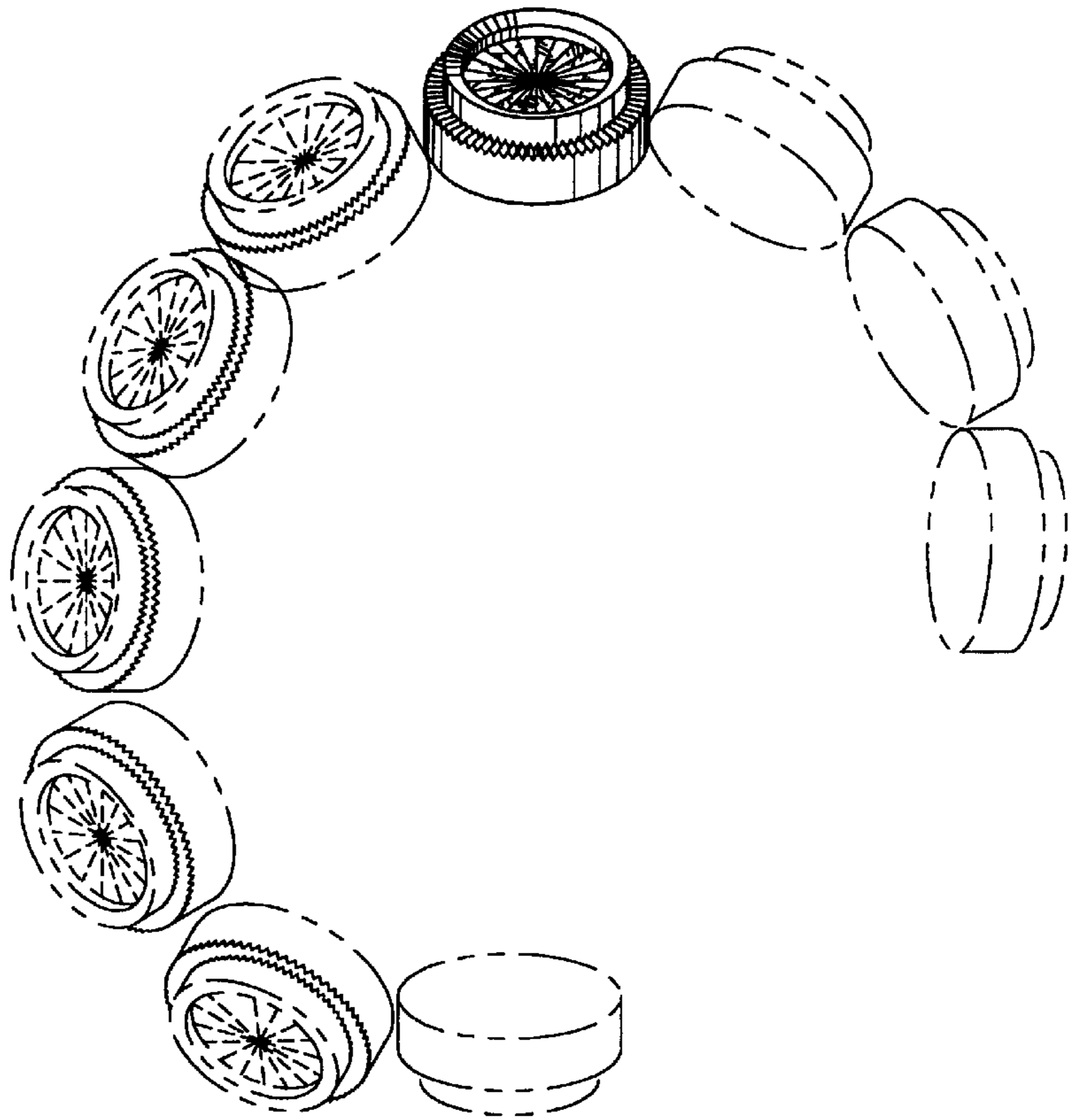


FIG. 16

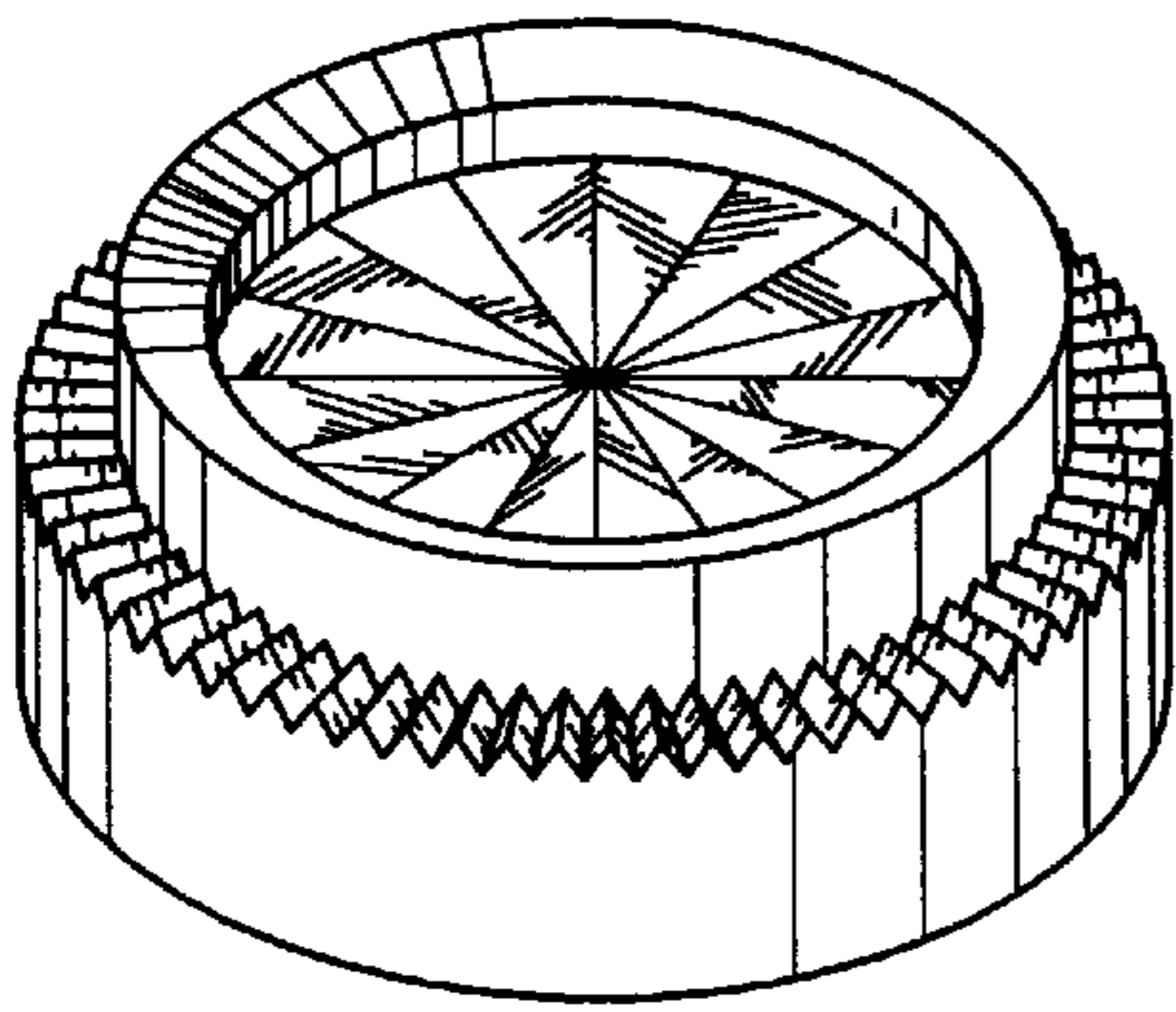


FIG. 17

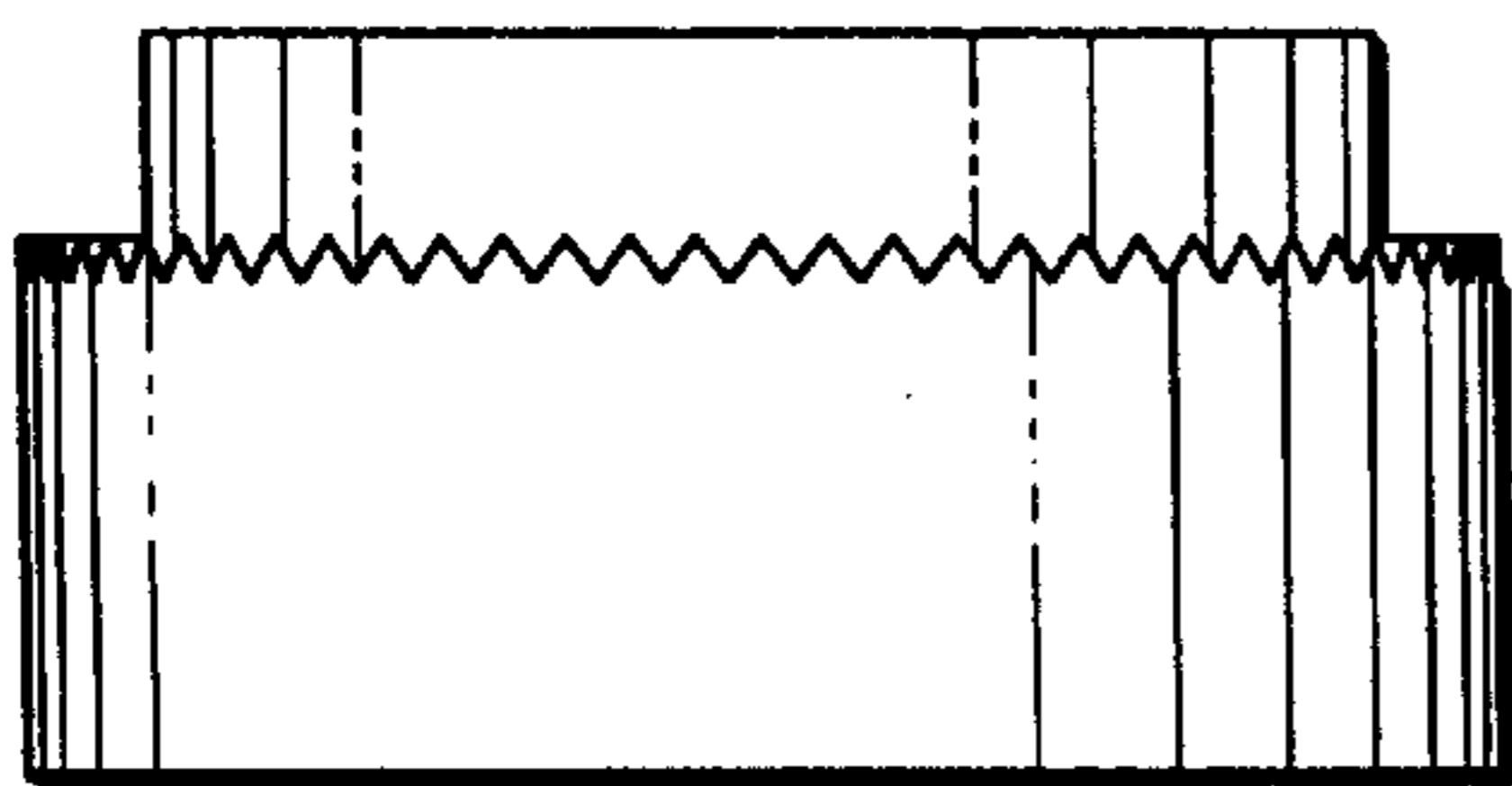
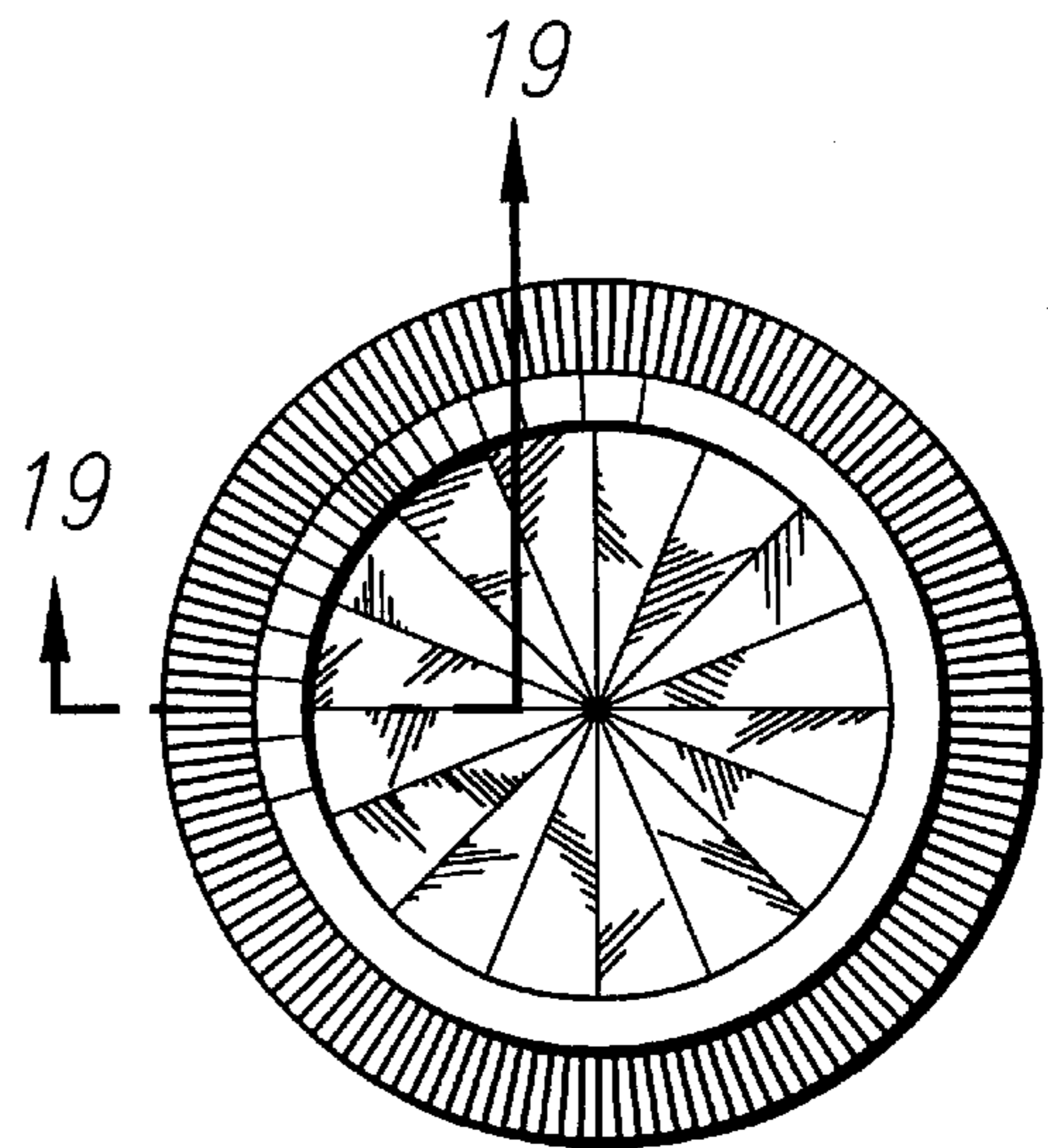


FIG. 18

FIG. 19

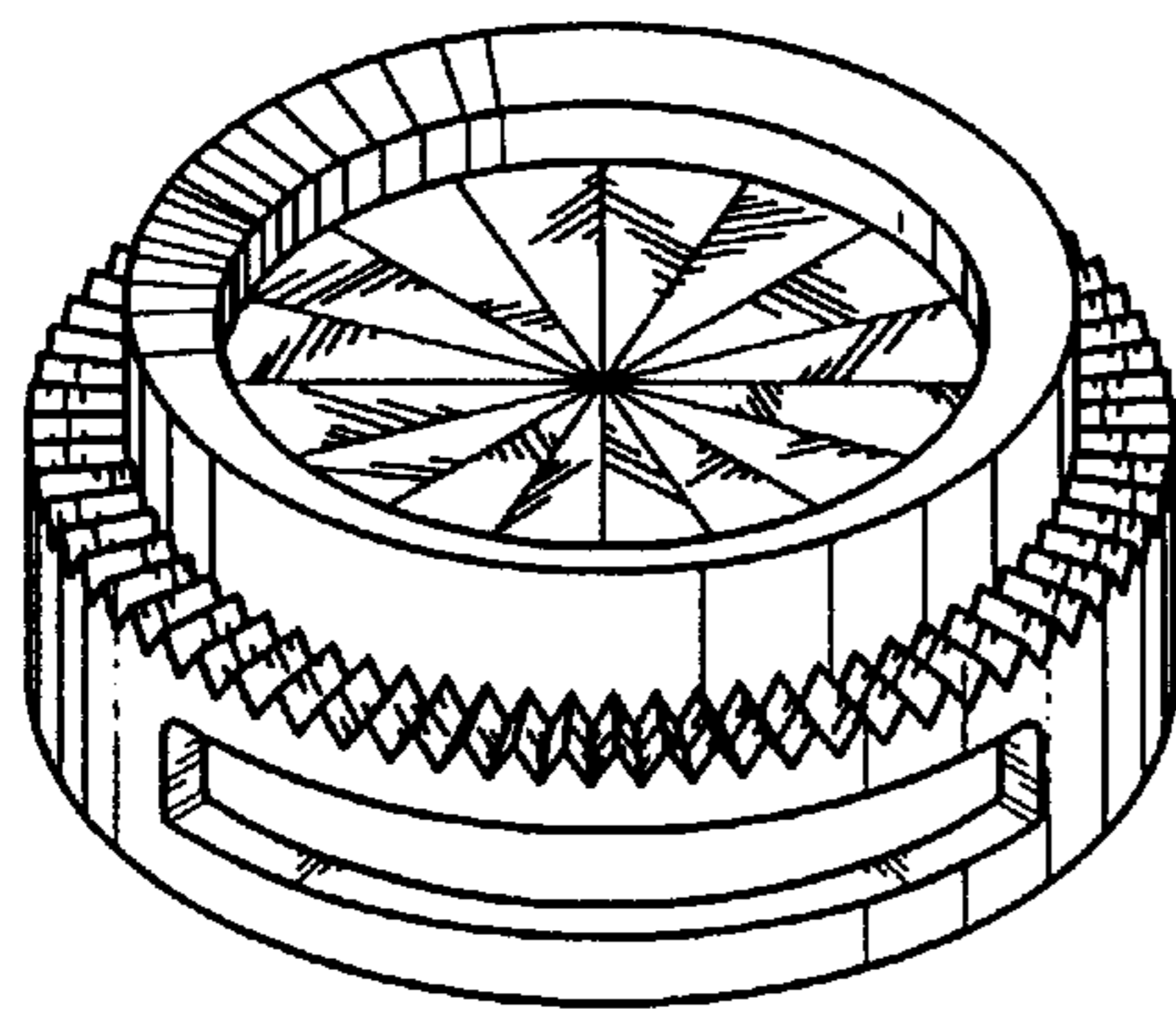
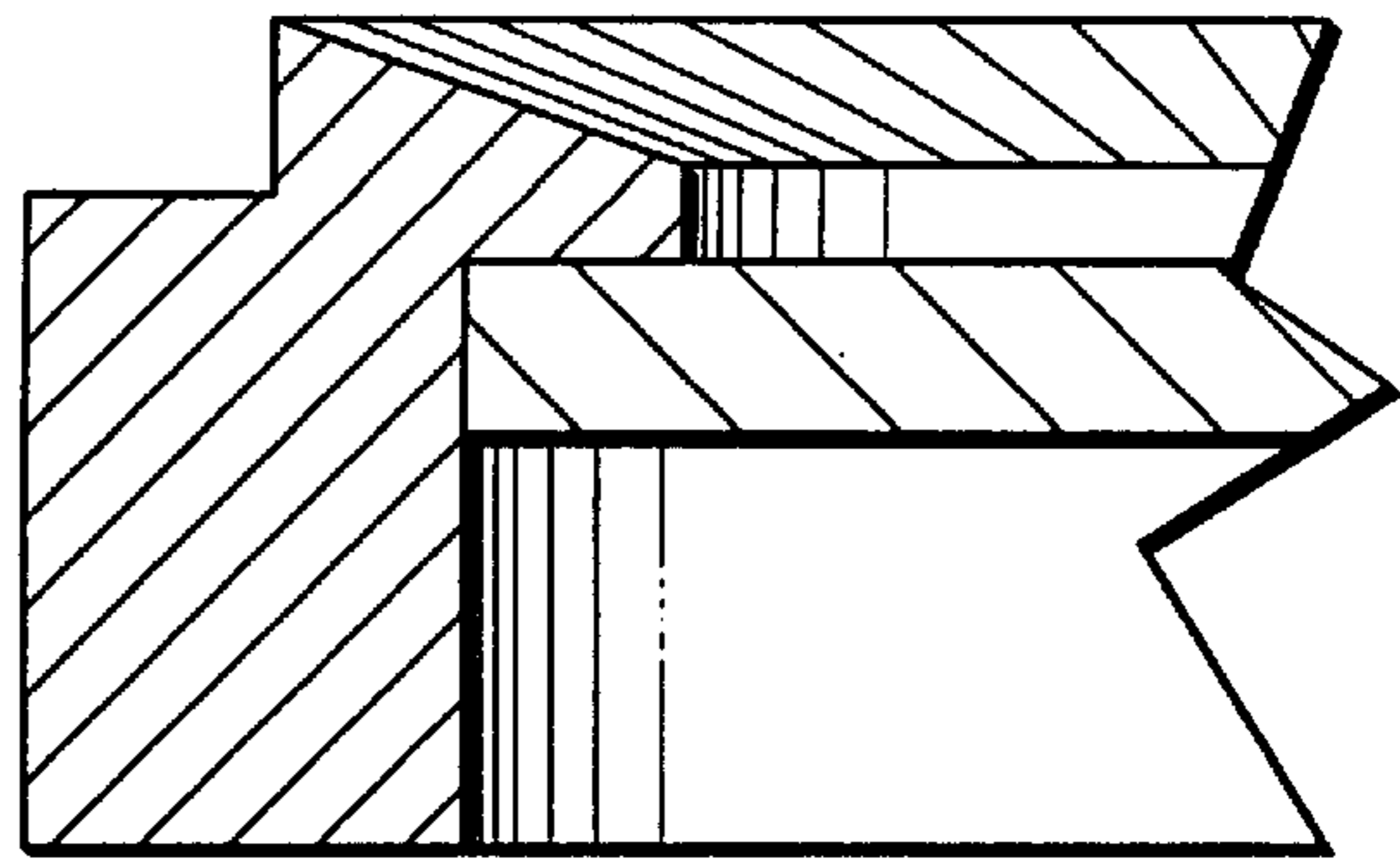


FIG. 20

FIG. 21

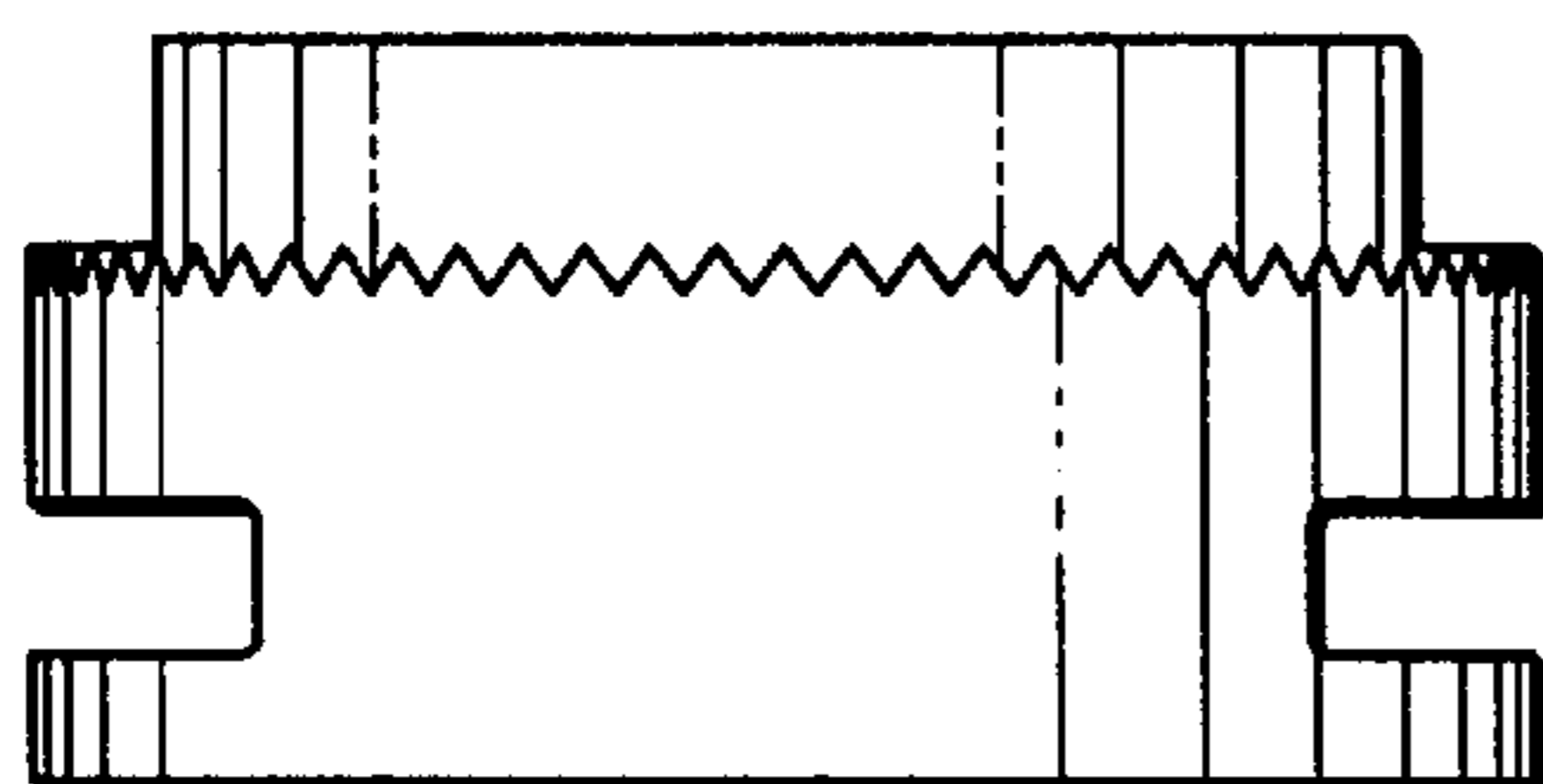
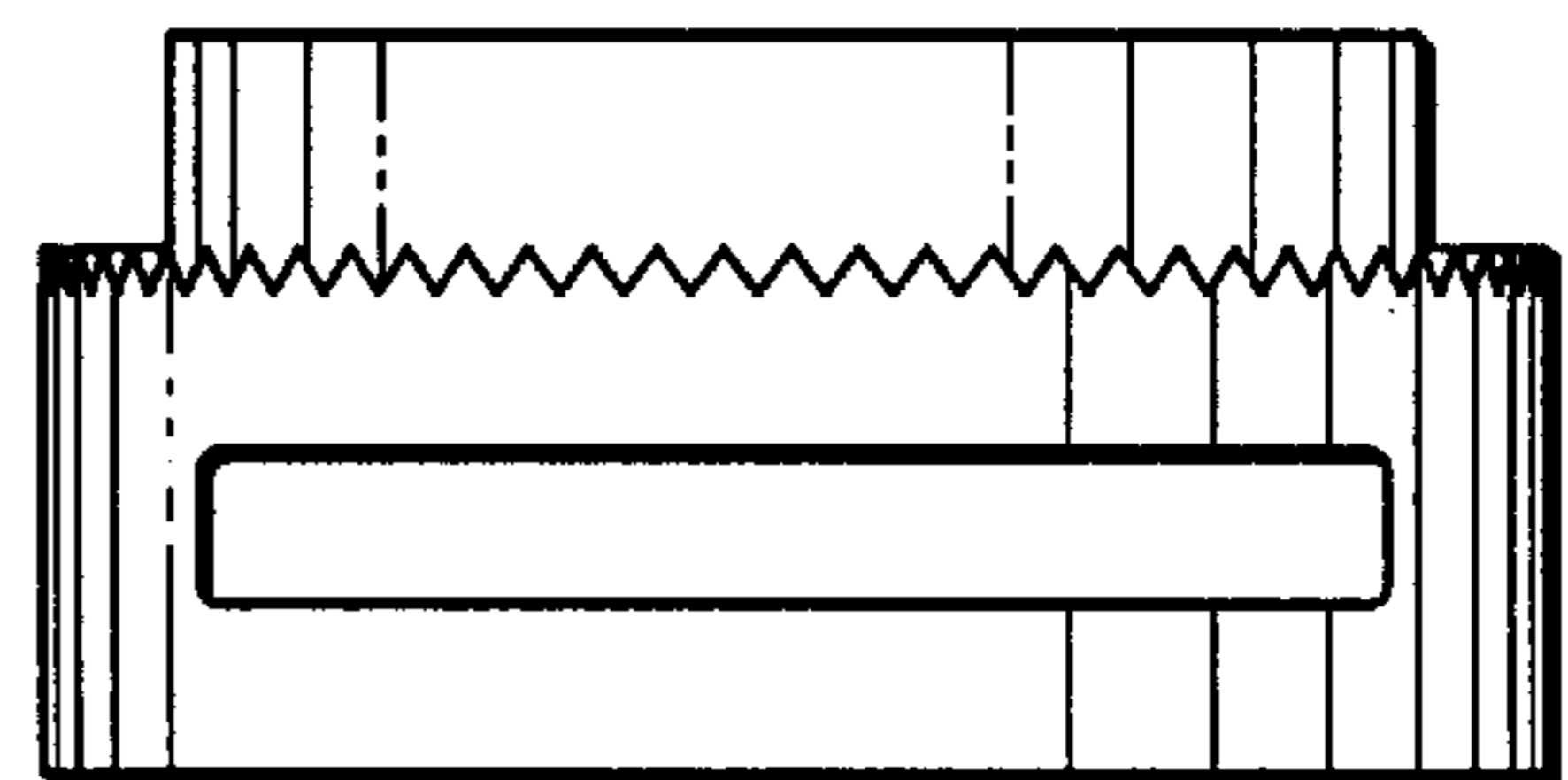


FIG. 22



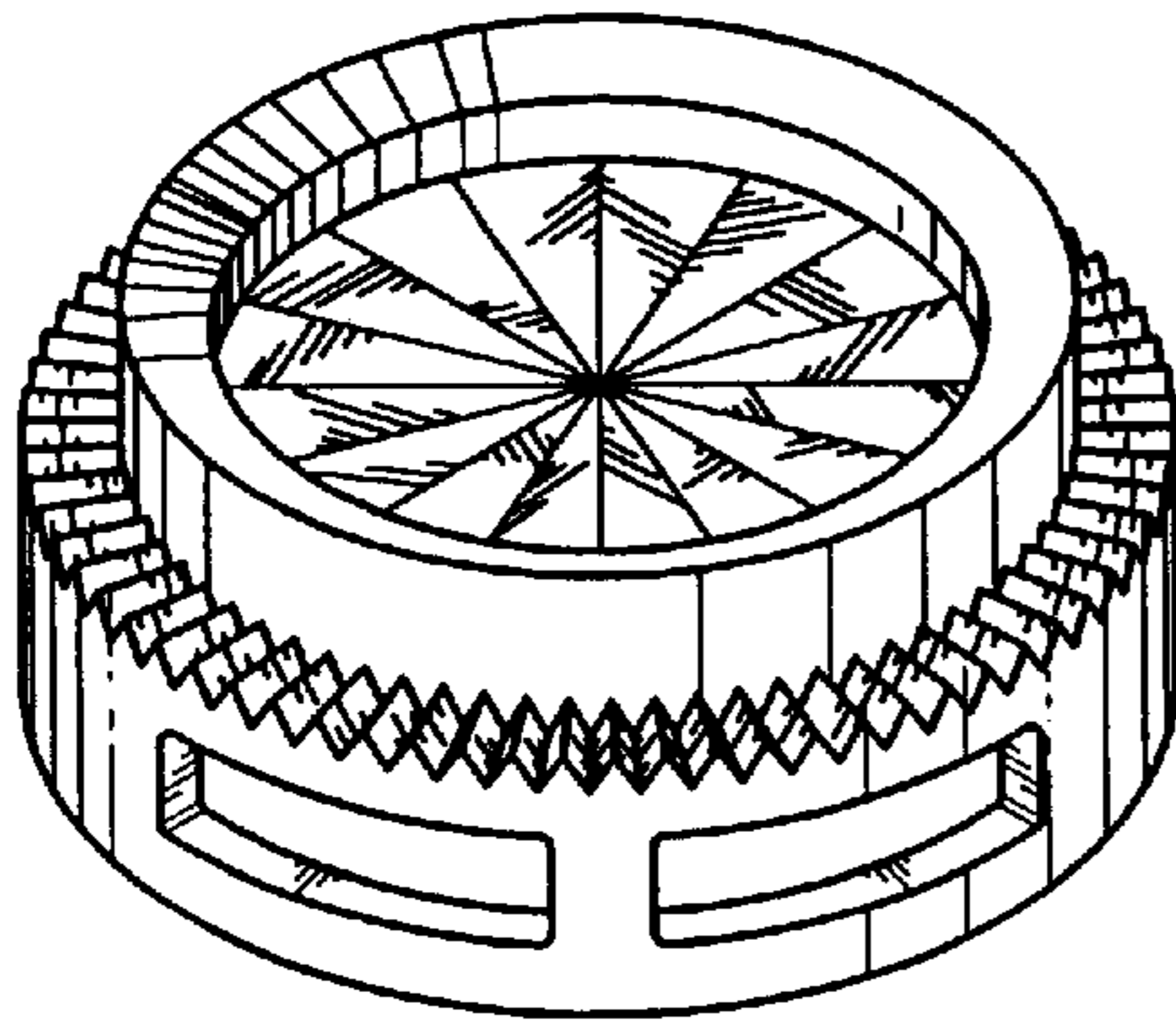


FIG. 23

FIG. 24

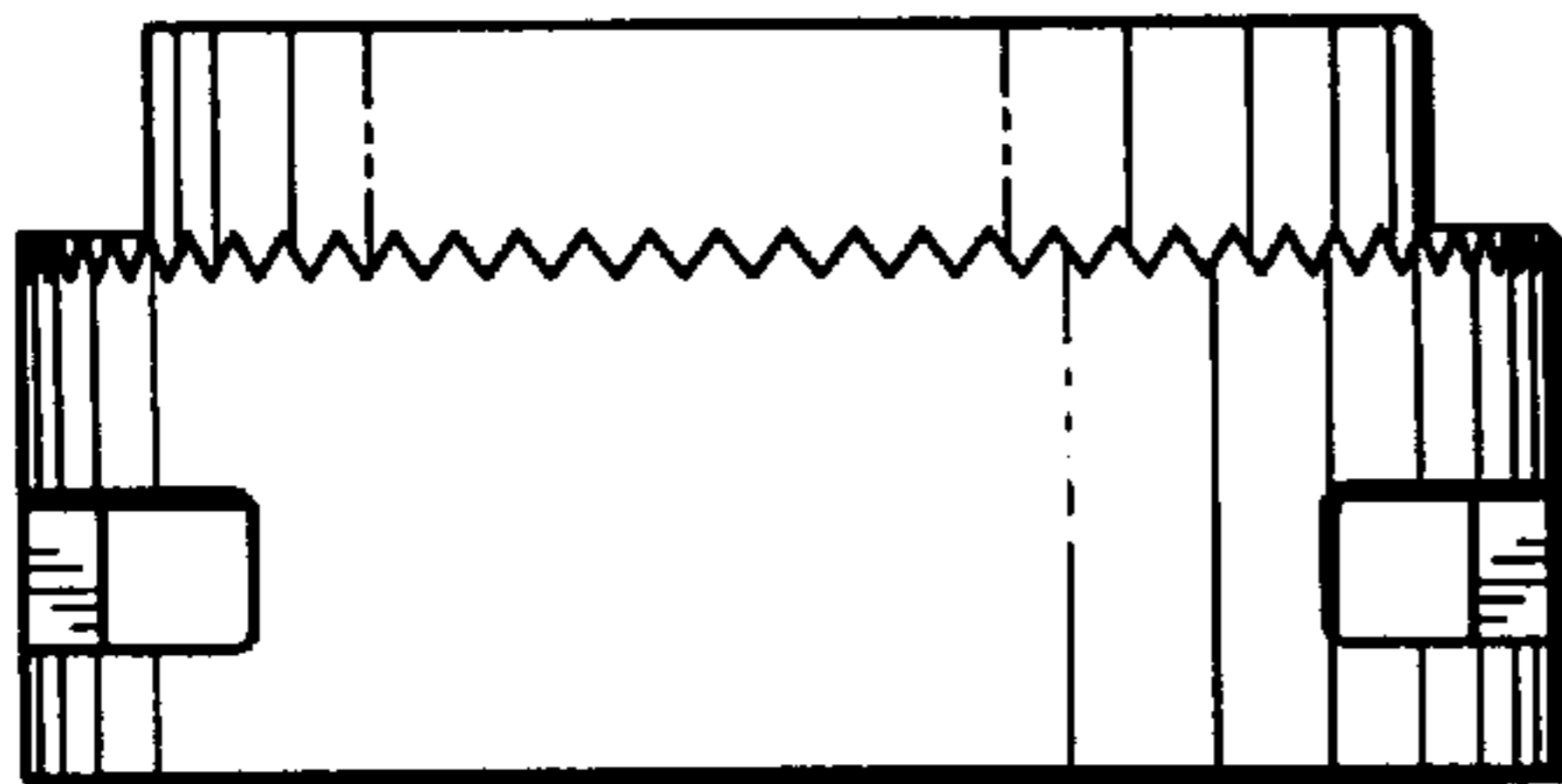
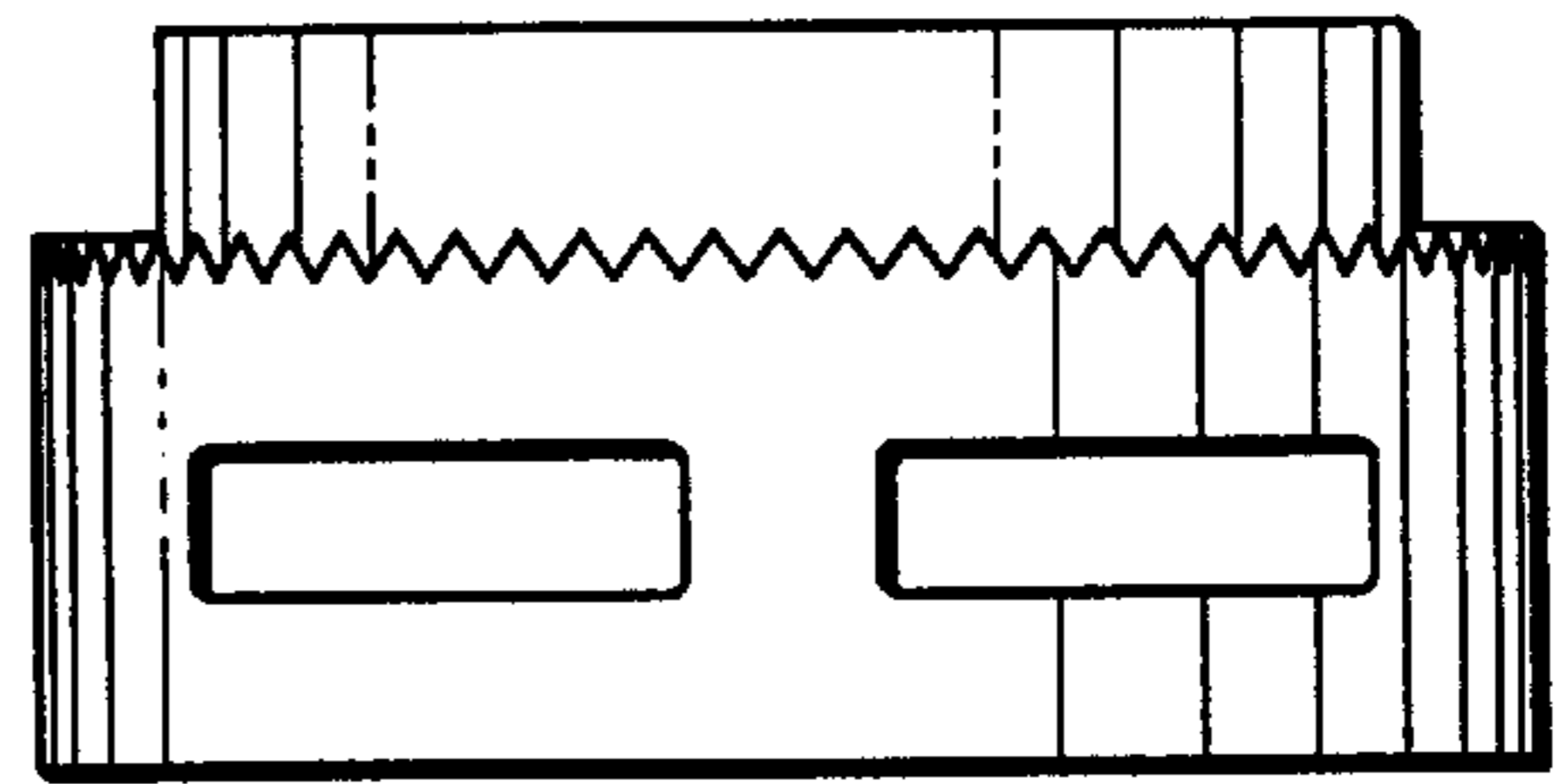


FIG. 25