



US00D418440S

United States Patent [19]
Dallaire

[11] **Patent Number: Des. 418,440**
[45] **Date of Patent: ** Jan. 4, 2000**

[54] **SIGNAL MONITORING MODULE WITH DISPLAY**

[75] Inventor: **Michel Dallaire**, Montreal, Canada

[73] Assignee: **3416704 Canada Inc.**, Knowlton, Canada

[**] Term: **14 Years**

[21] Appl. No.: **29/089,873**

[22] Filed: **Jun. 24, 1998**

[51] **LOC (7) Cl.** **10-04**

[52] **U.S. Cl.** **D10/106**

[58] **Field of Search** D10/46, 106; 600/534, 600/535; 361/283.1

[56] **References Cited**

U.S. PATENT DOCUMENTS

- D. 363,892 11/1995 Bedrosian D10/106
- D. 380,401 7/1997 Sarkis D10/106

Primary Examiner—Antoine Duval Davis
Attorney, Agent, or Firm—Guy J. Houle; Swabey Ogilvy Renault

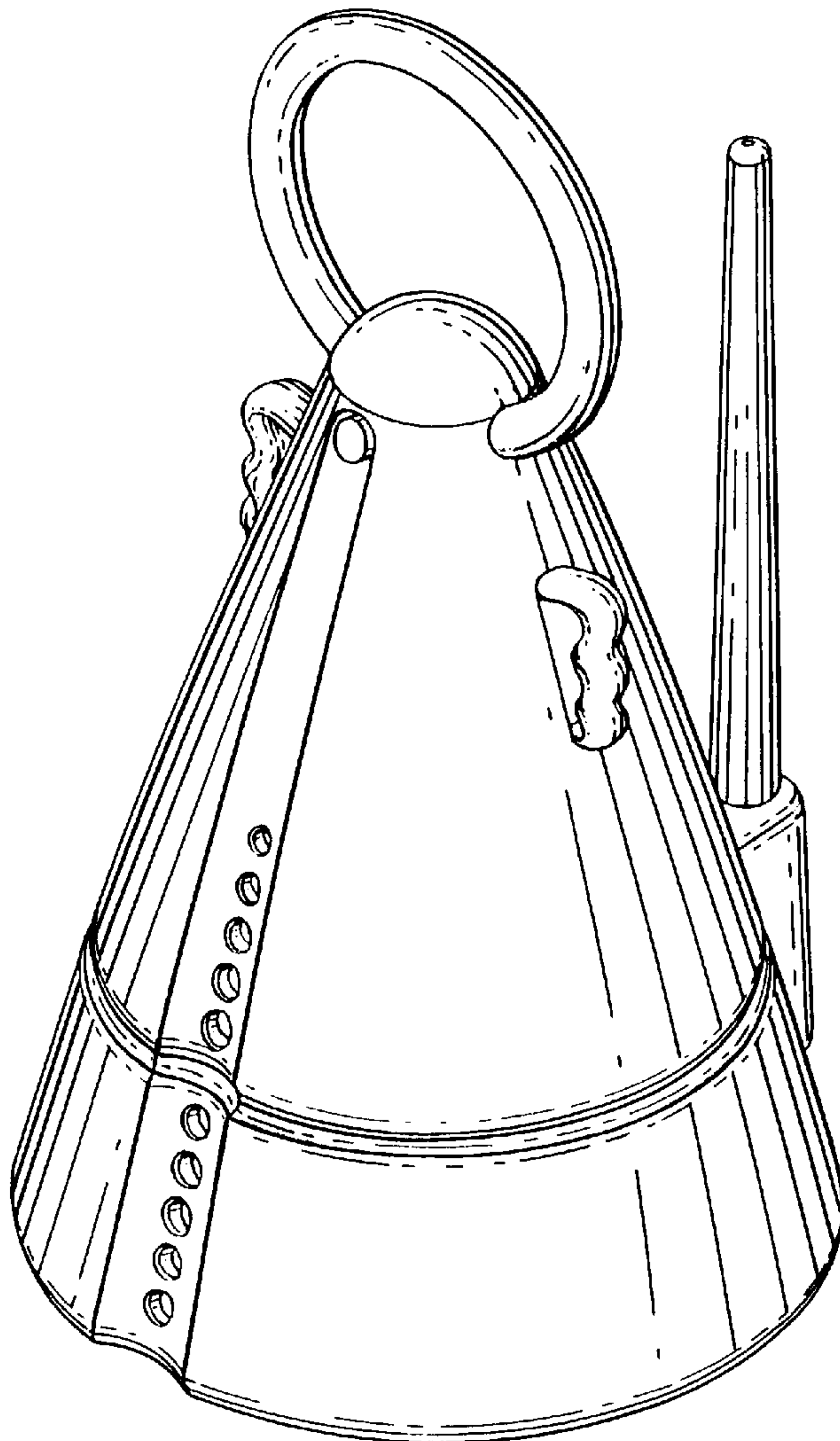
[57] **CLAIM**

The ornamental design for the signal monitoring module with display, as shown and described.

DESCRIPTION

FIG. 1 is a perspective view of the signal monitoring module with display showing my new design; FIG. 2 is a front view of the module; FIG. 3 is a rear view of the module; FIG. 4 is a left side view of the module; FIG. 5 is a right side view of the module; FIG. 6 is a bottom view of the module; FIG. 7 is a top view of the module; and, FIG. 8 is a front exploded view illustrating the assembly of the design of FIG. 1.

1 Claim, 5 Drawing Sheets



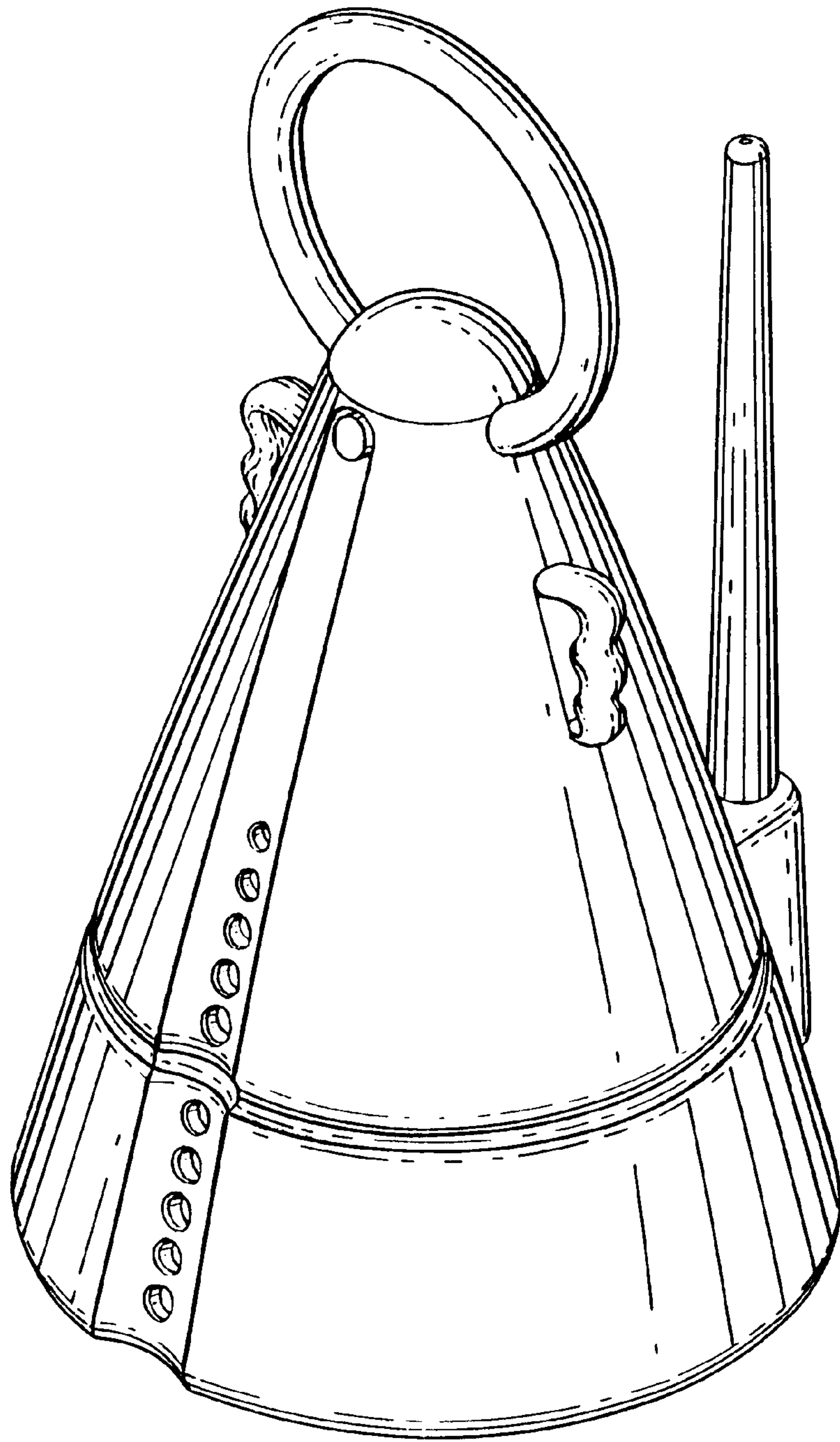


Fig. 1

Fig. 3

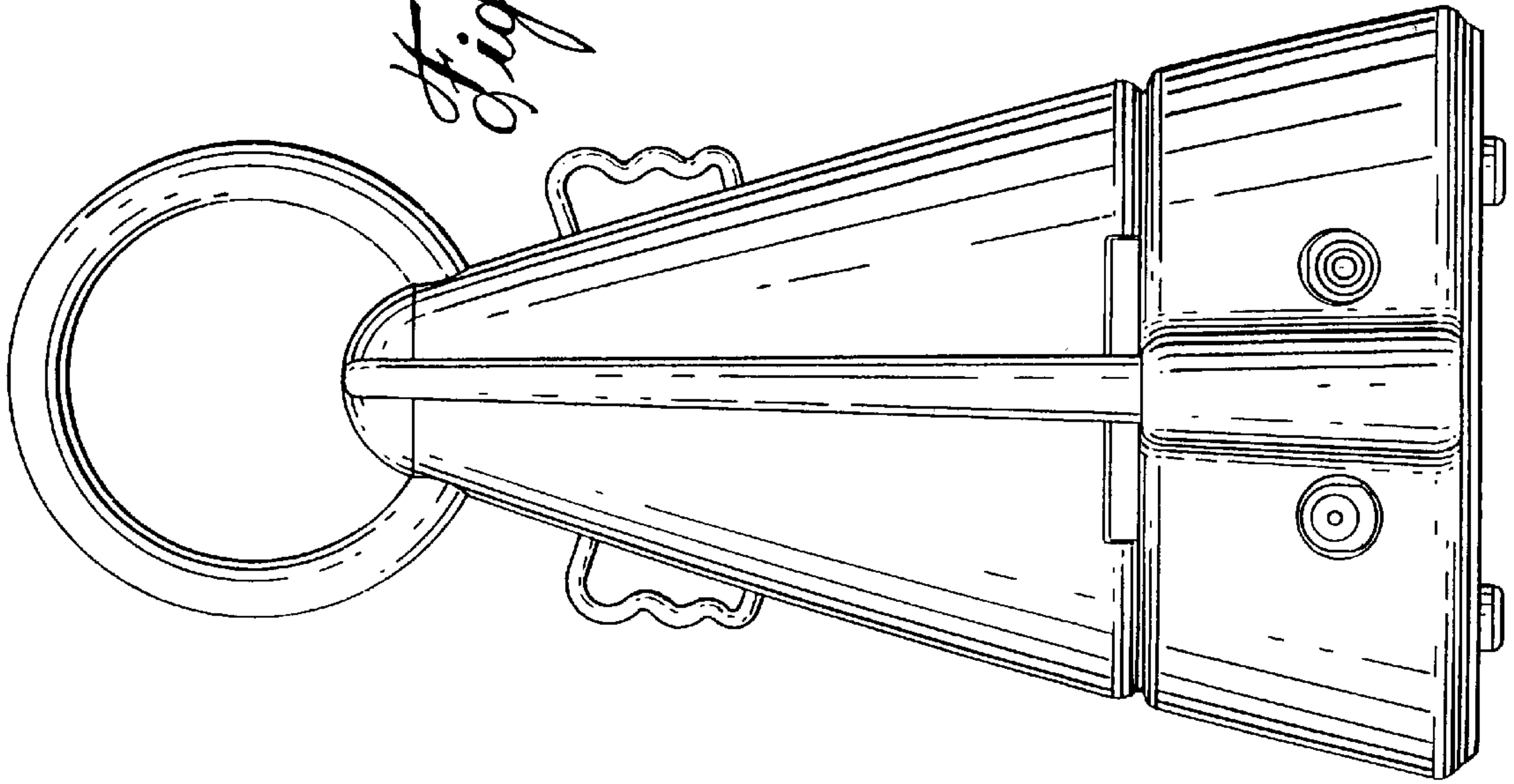
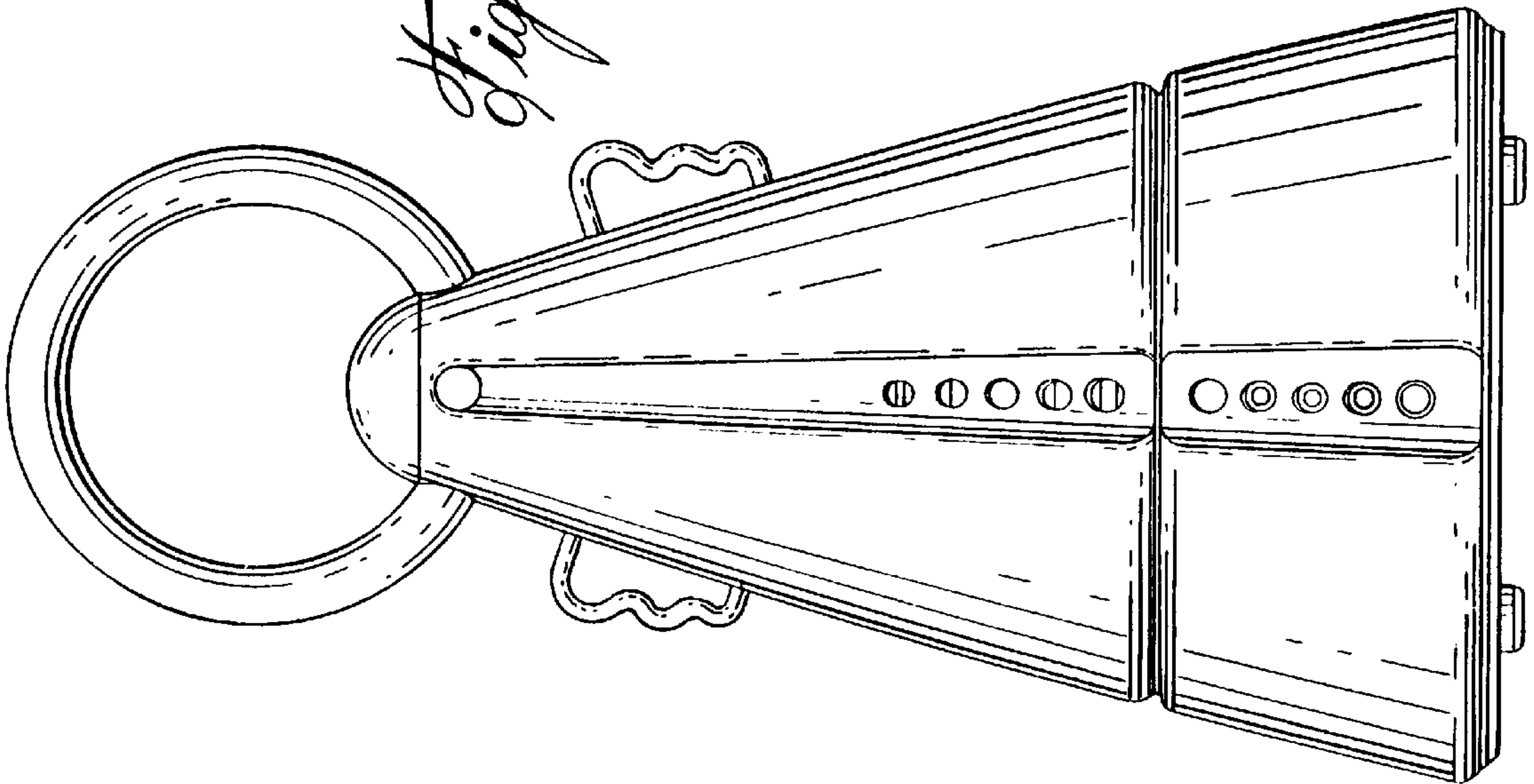
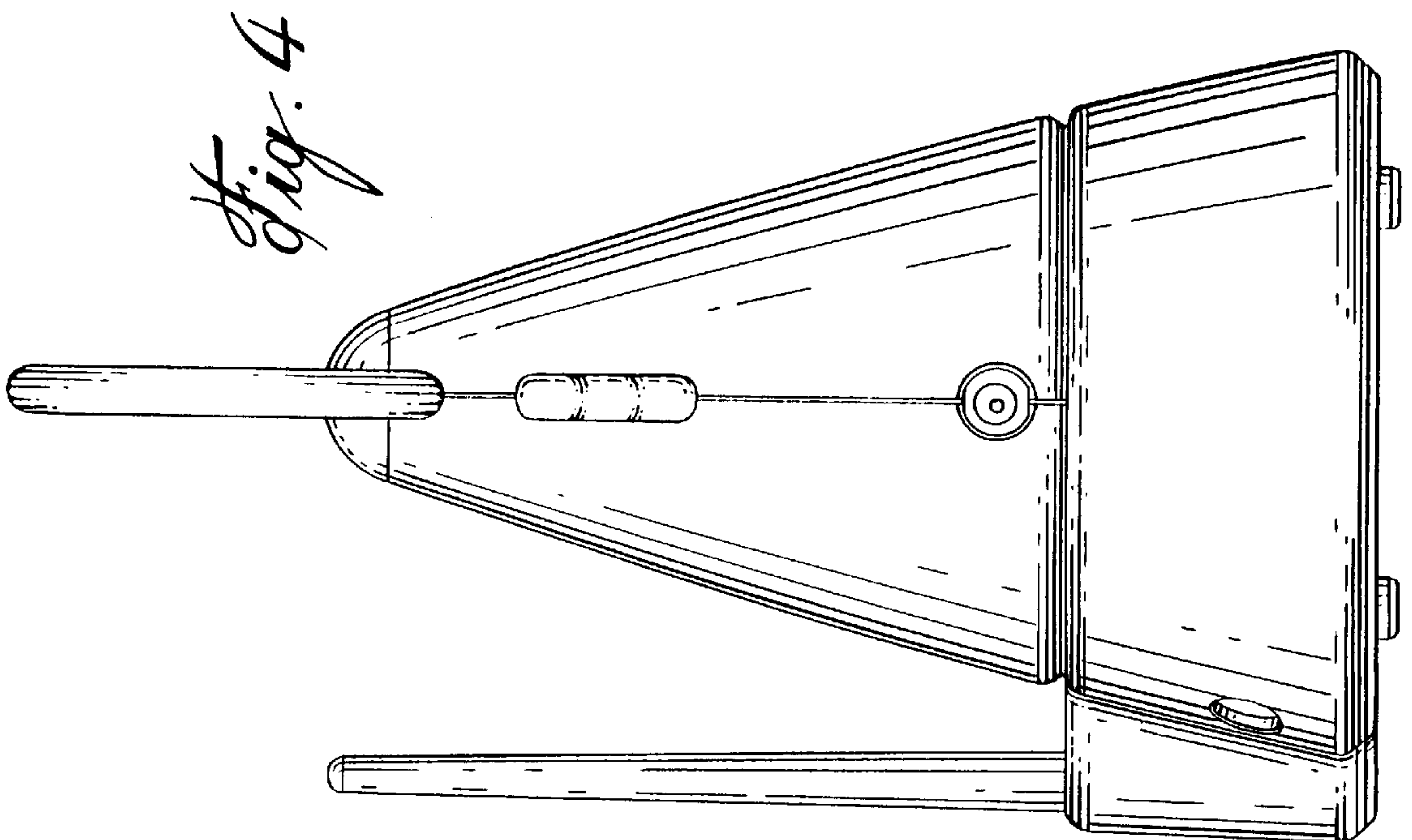
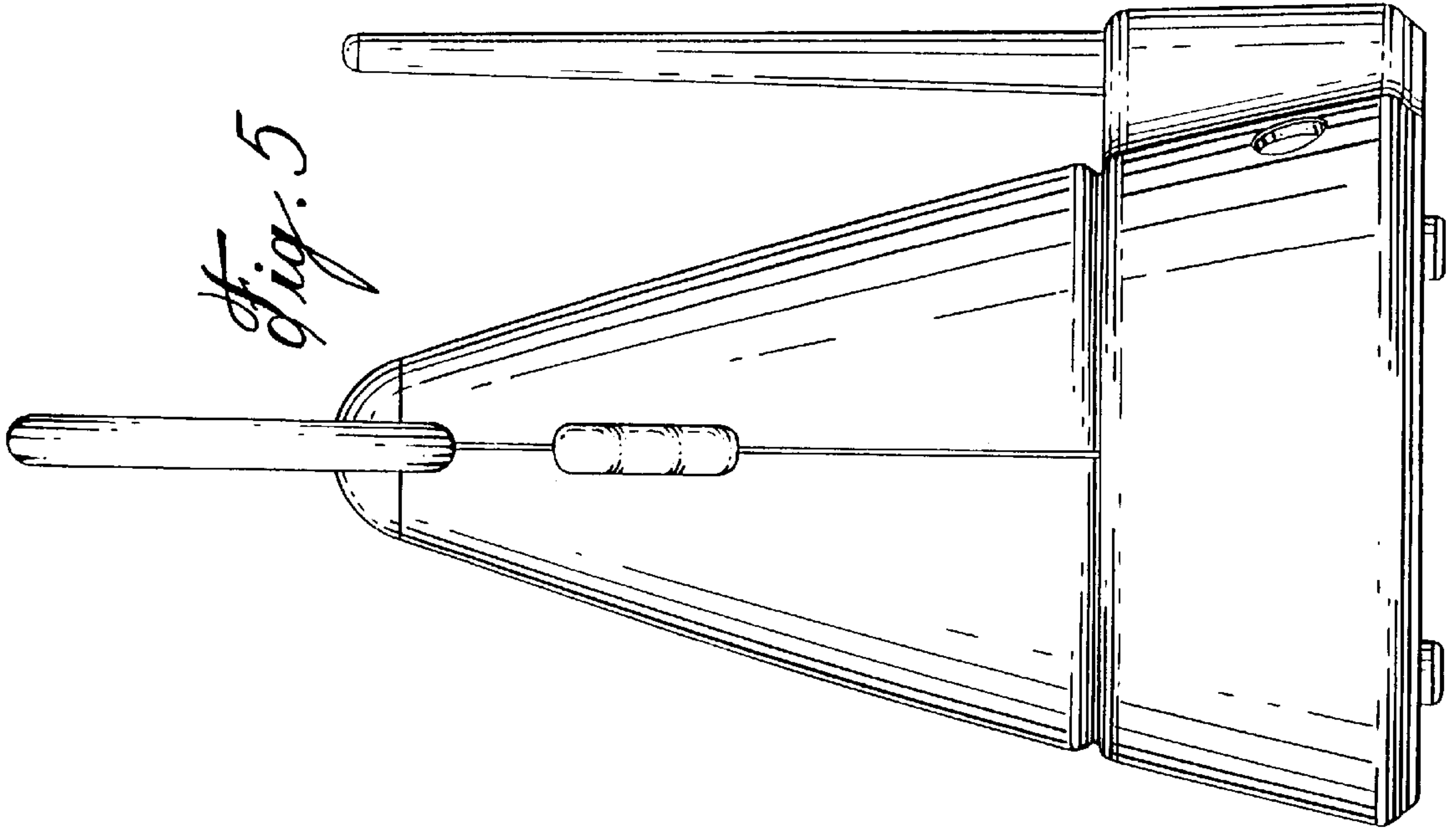


Fig. 2





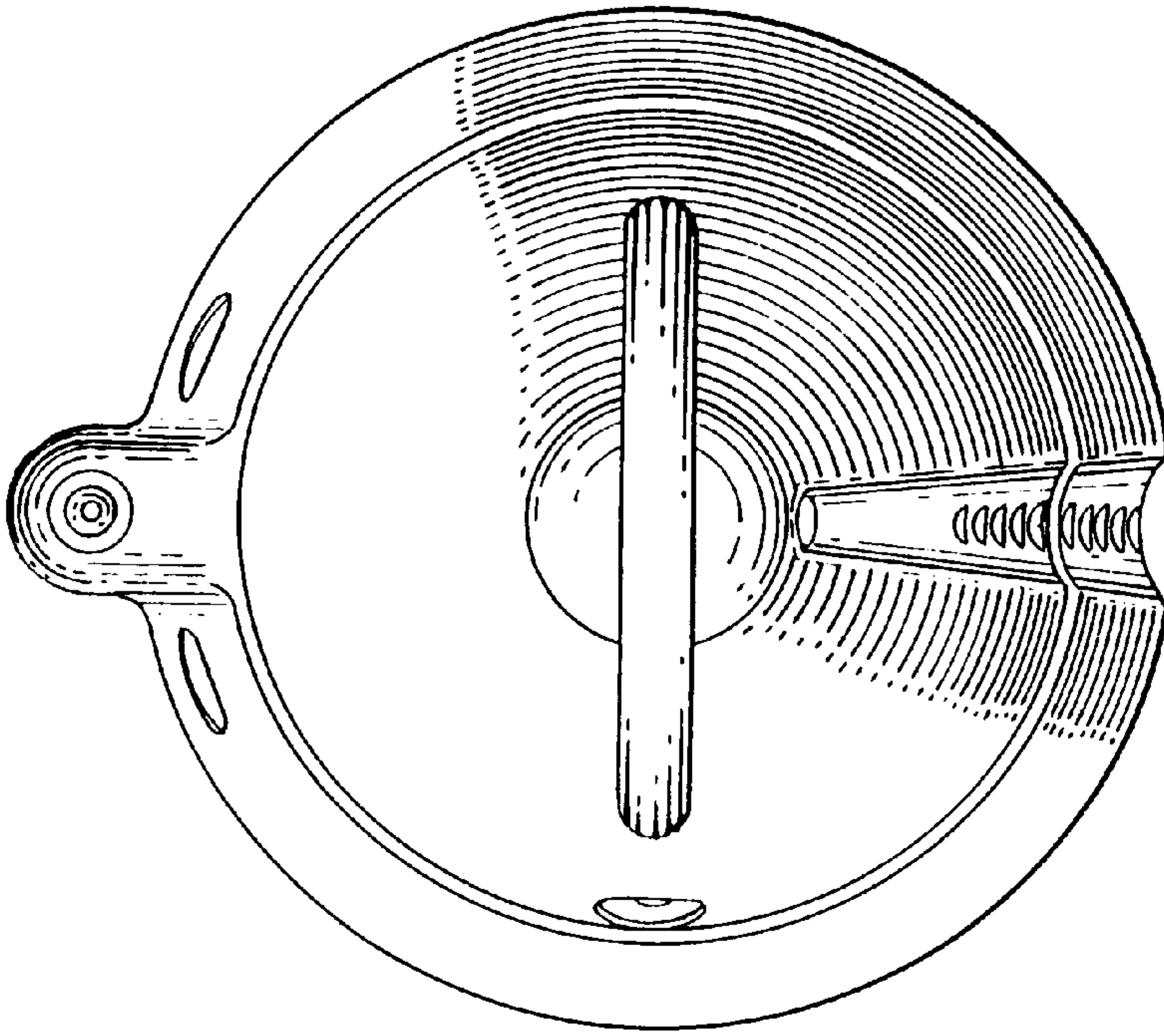


Fig. 7

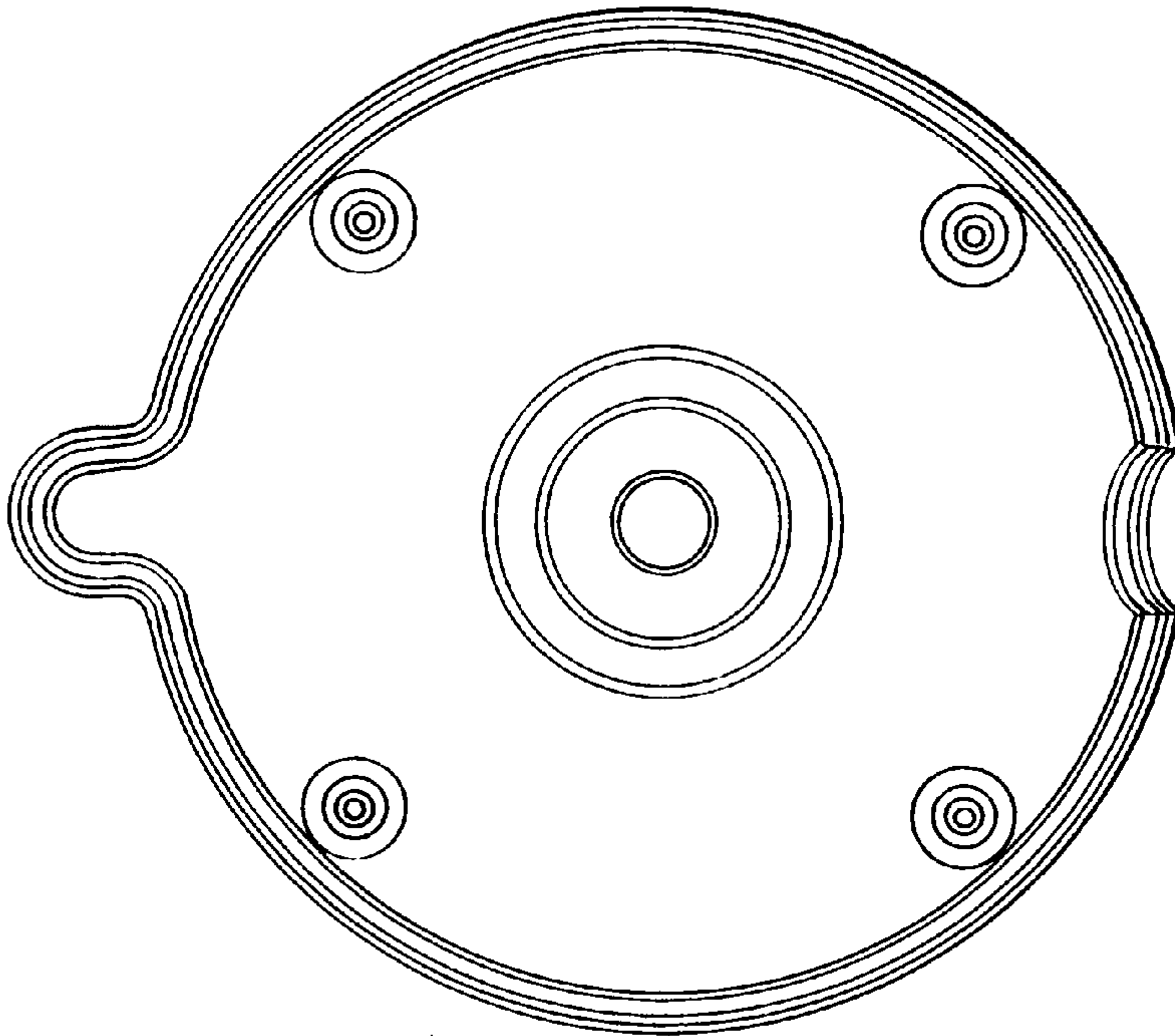


Fig. 6

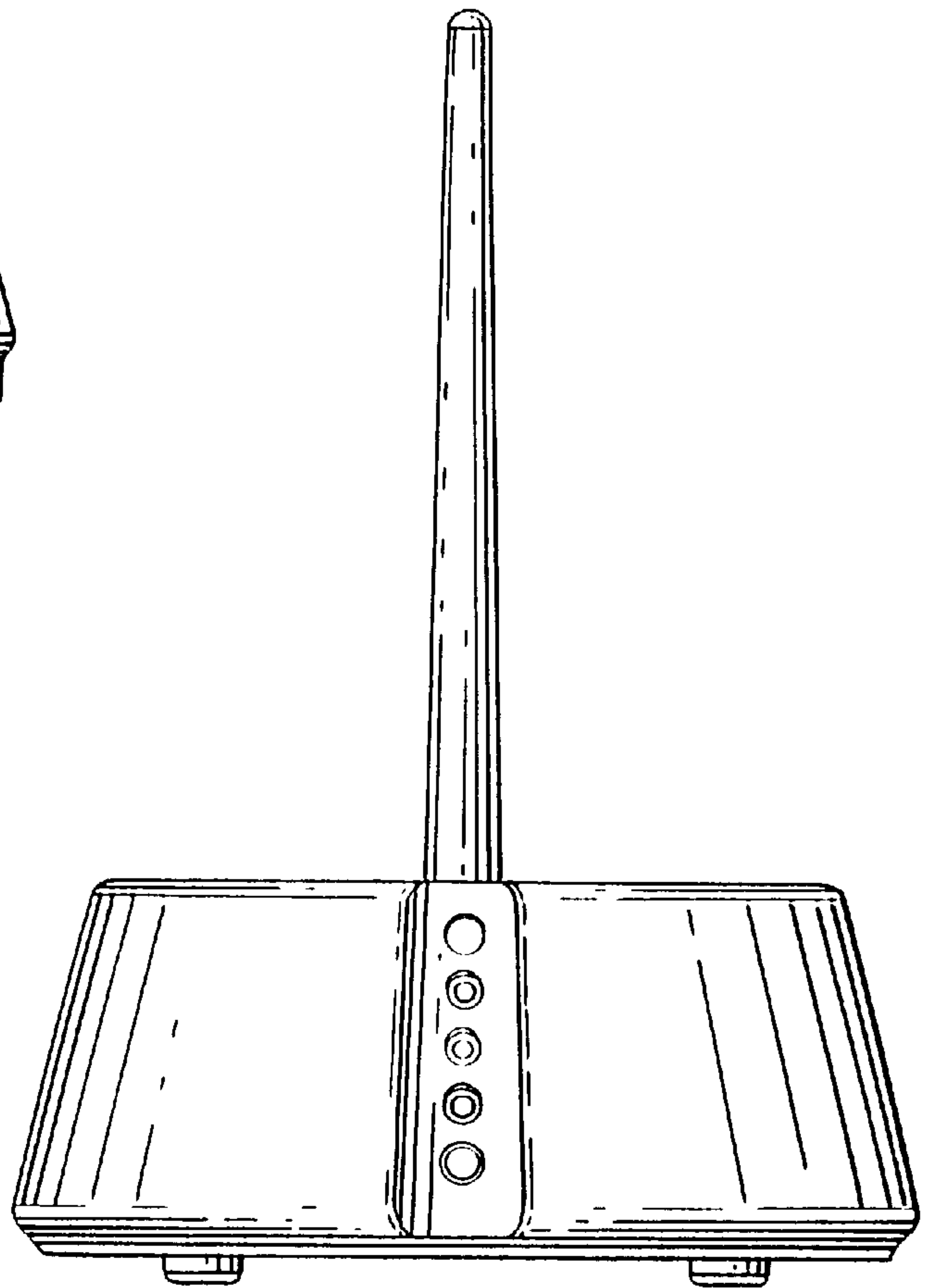
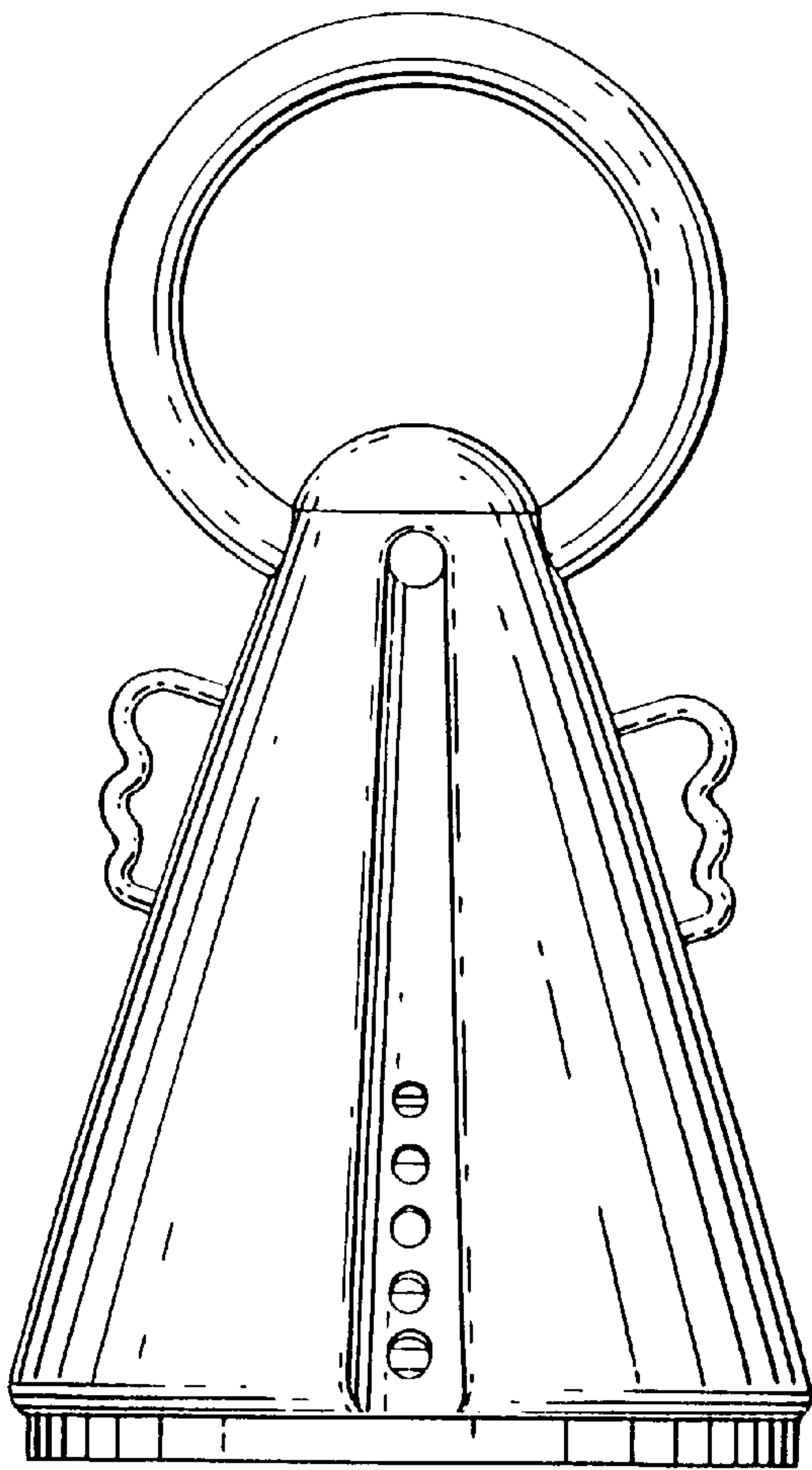


Fig. 8