



US00D418439S

**United States Patent** [19]  
**Cappiello**

[11] **Patent Number: Des. 418,439**

[45] **Date of Patent: \*\* Jan. 4, 2000**

[54] **DIGITAL GLASS I-BEAM SCALE**

5,886,302 3/1999 Germanton et al. .... 177/199

[75] Inventor: **Mark Cappiello**, New York, N.Y.

*Primary Examiner*—Antoine Duval Davis  
*Attorney, Agent, or Firm*—Arthur L. Plevy

[73] Assignee: **Measurement Specialties, Inc.**,  
Fairfield, N.J.

[\*\*] Term: **14 Years**

[57] **CLAIM**

The ornamental design for a digital glass I-beam scale, as shown.

[21] Appl. No.: **29/100,390**

[22] Filed: **Feb. 10, 1999**

**DESCRIPTION**

[51] **LOC (7) Cl.** ..... **10-04**

FIG. 1 is a perspective plan view of the digital glass I-beam scale;

[52] **U.S. Cl.** ..... **D10/91**

FIG. 2 is a front plan view;

[58] **Field of Search** ..... D10/91; 177/199,  
177/210 R, 238-245

FIG. 3 is a top view;

FIG. 4 is a right/left side view; and,

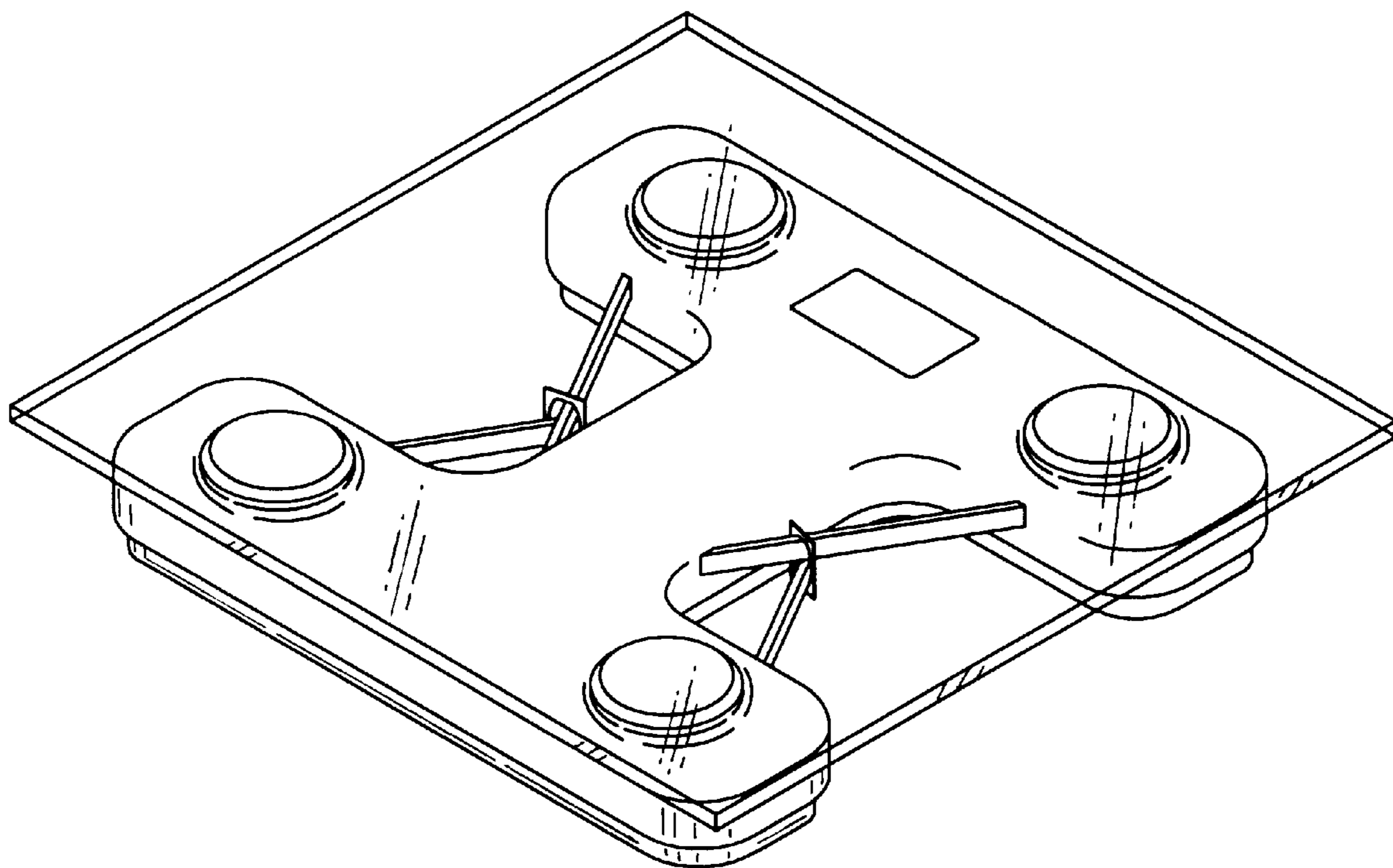
FIG. 5 is a bottom side view.

[56] **References Cited**

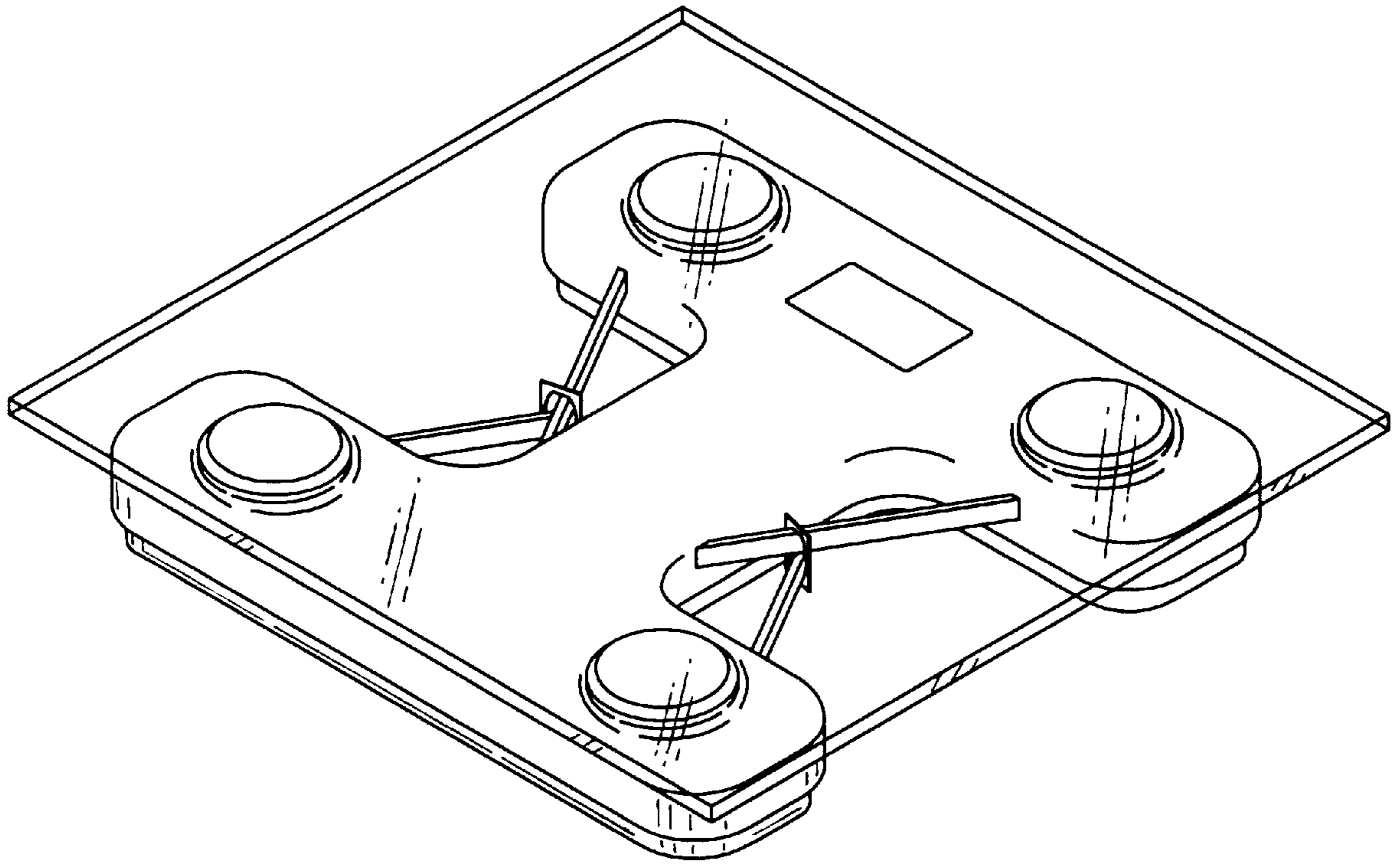
**U.S. PATENT DOCUMENTS**

D. 390,796 2/1998 Germanton et al. .... D10/91

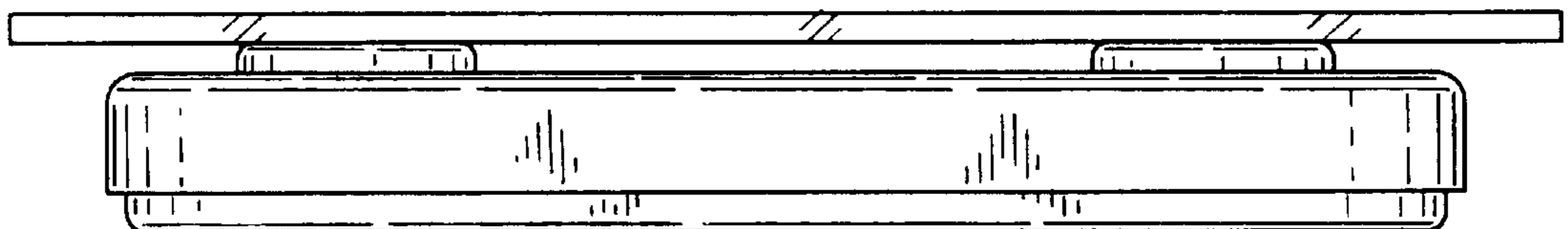
**1 Claim, 3 Drawing Sheets**



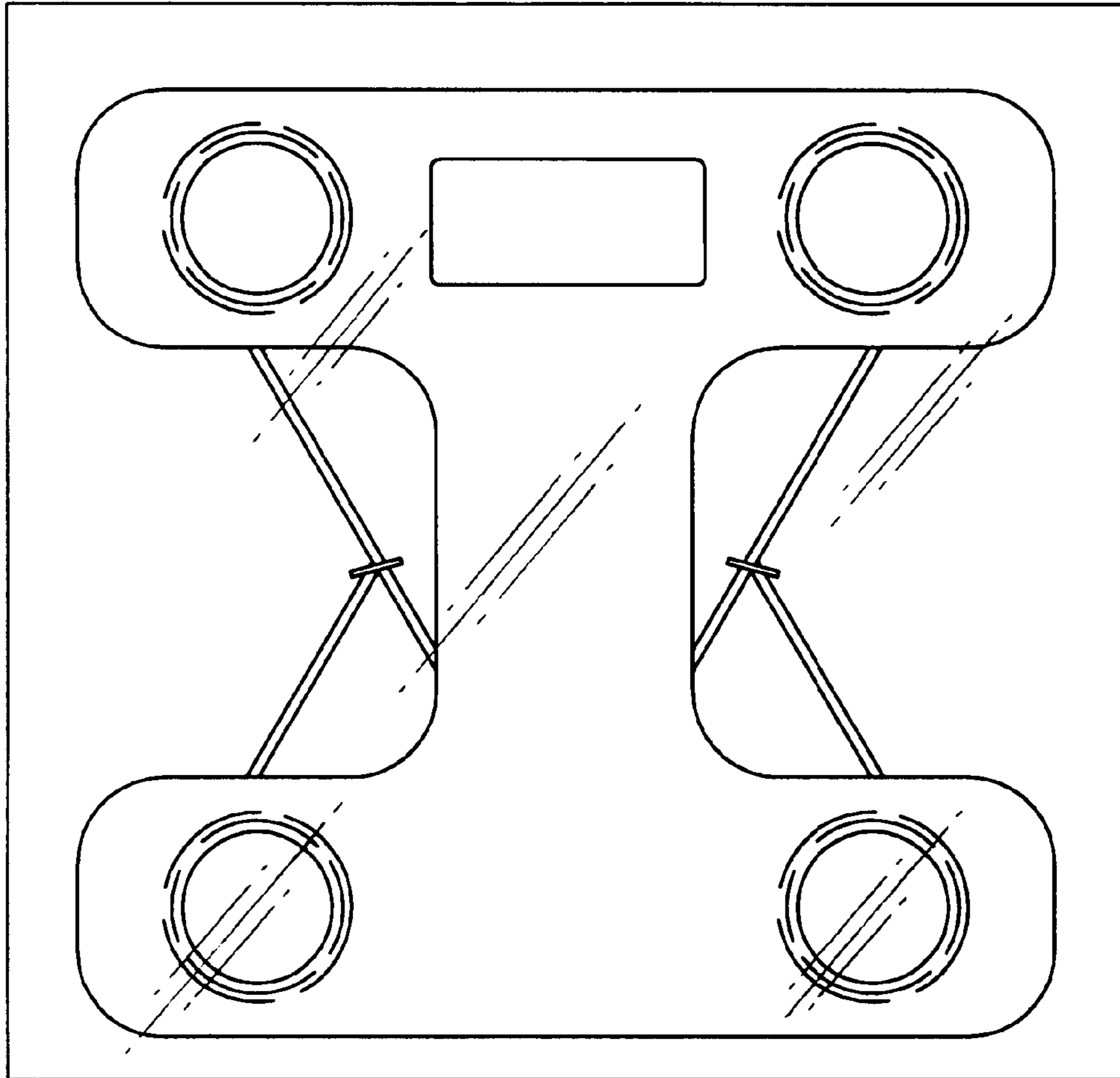
**FIG. 1**



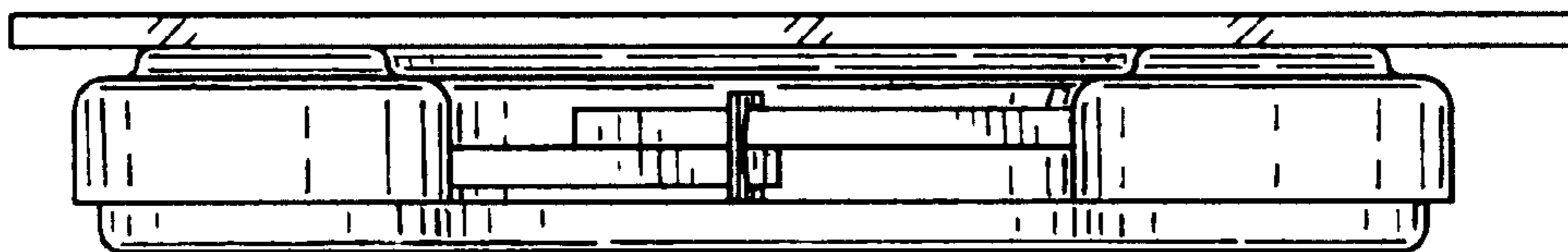
**FIG. 2**



**FIG. 3**



**FIG. 4**



**FIG. 5**

