



US00D418438S

United States Patent [19]

Lewis

[11] Patent Number: **Des. 418,438**

[45] Date of Patent: **** Jan. 4, 2000**

[54] **STAND FOR HOLDING A TEMPORARY ELECTRICAL POWER METER**

4,676,015 6/1987 Stoudt 248/469 X

[75] Inventor: **Kevin A. Lewis**, Thornton, Colo.

Primary Examiner—Antoine Duval Davis
Attorney, Agent, or Firm—William E. Hein

[73] Assignee: **KB Manufacturing, Inc.**, Colo.

[57] **CLAIM**

[**] Term: **14 Years**

The ornamental design for a stand for holding a temporary electrical power meter, as shown and described.

[21] Appl. No.: **29/097,634**

DESCRIPTION

[22] Filed: **Dec. 10, 1998**

[51] **LOC (7) Cl.** **10-04**

[52] **U.S. Cl.** **D10/80**

[58] **Field of Search** D10/80; D6/300, D6/312; D16/244; 248/349.1, 668, 919, 27.1, 27.3, 127, 171, 179, 188.5, 431, 441.1, 442, 442.2, 443, 444, 445, 451, 452, 453, 469, 519, 676, 904, 906

FIG. 1 is a front perspective view of a stand for holding a temporary electrical power meter, showing my new design; FIG. 2 is a front elevation view; FIG. 3 is a rear elevation view; FIG. 4 is a left side elevation view, the right side elevation view being a mirror image thereof; FIG. 5 is a top plan view; and, FIG. 6 is a bottom plan view.

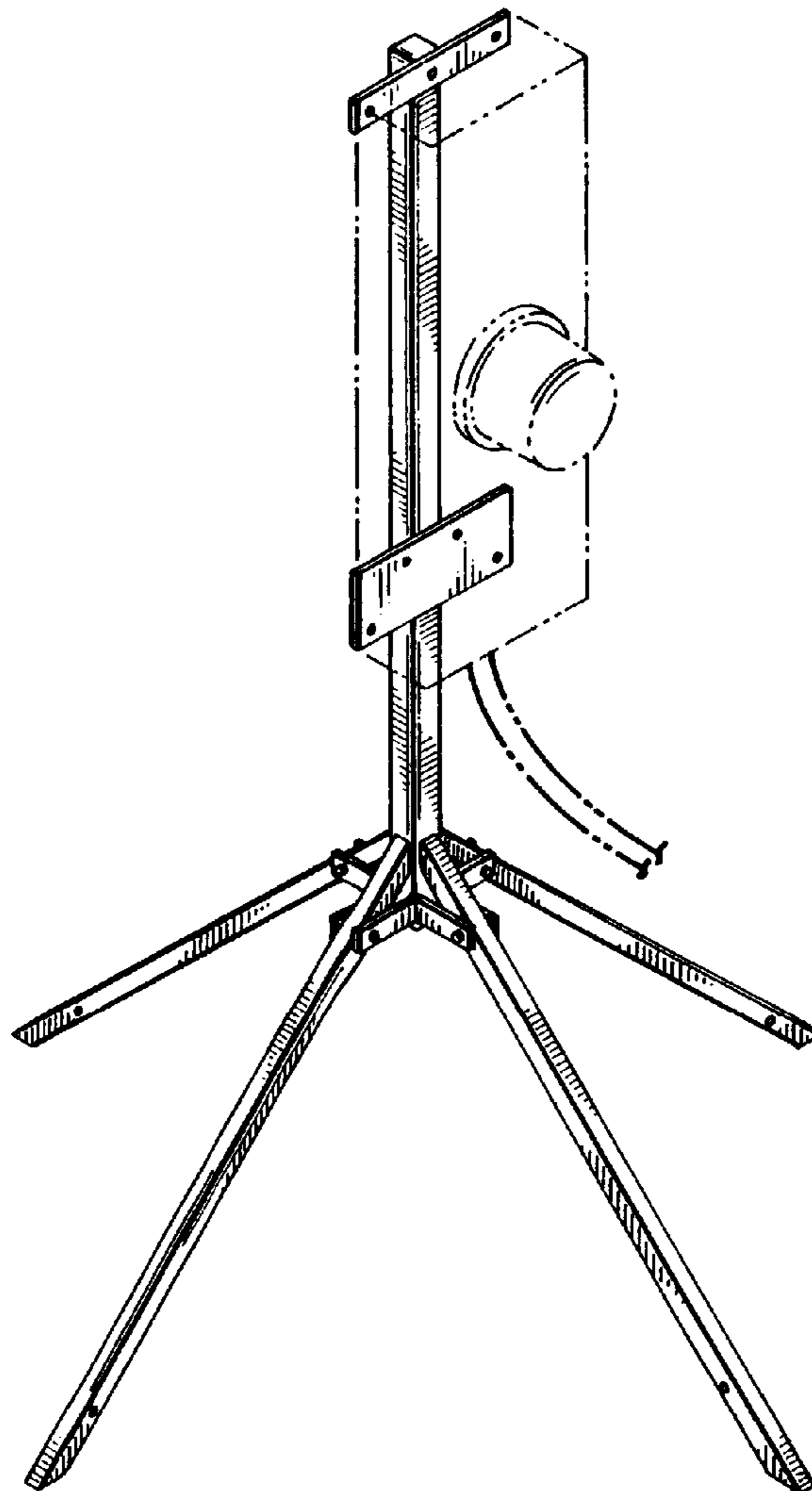
The broken line showing of an electrical power meter is for illustrative purposes only and forms no part of the claimed design.

[56] **References Cited**

U.S. PATENT DOCUMENTS

4,671,479 6/1987 Johnson et al. 248/188.5 X

1 Claim, 2 Drawing Sheets



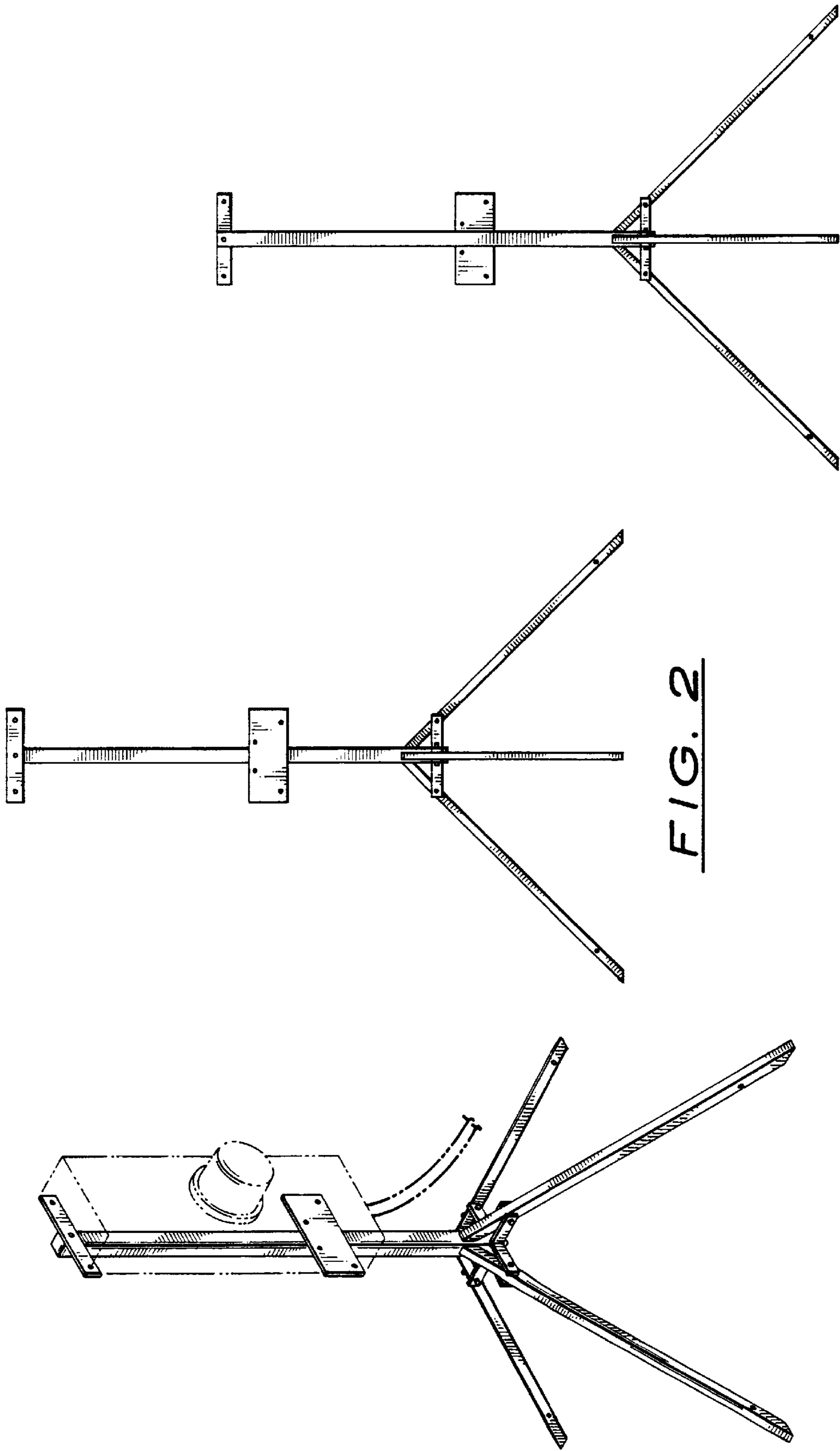


FIG. 1

FIG. 2

FIG. 3

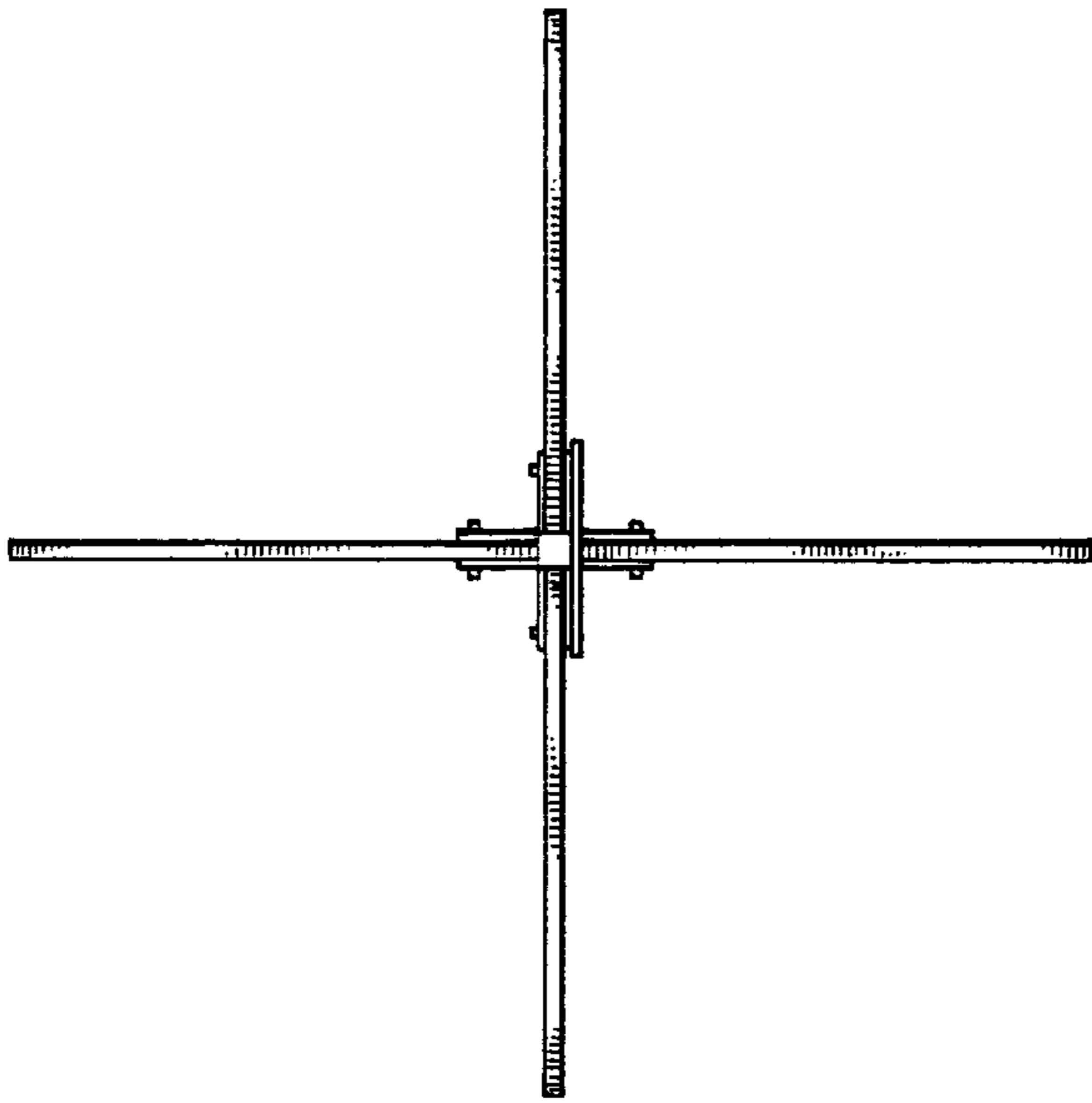


FIG. 5

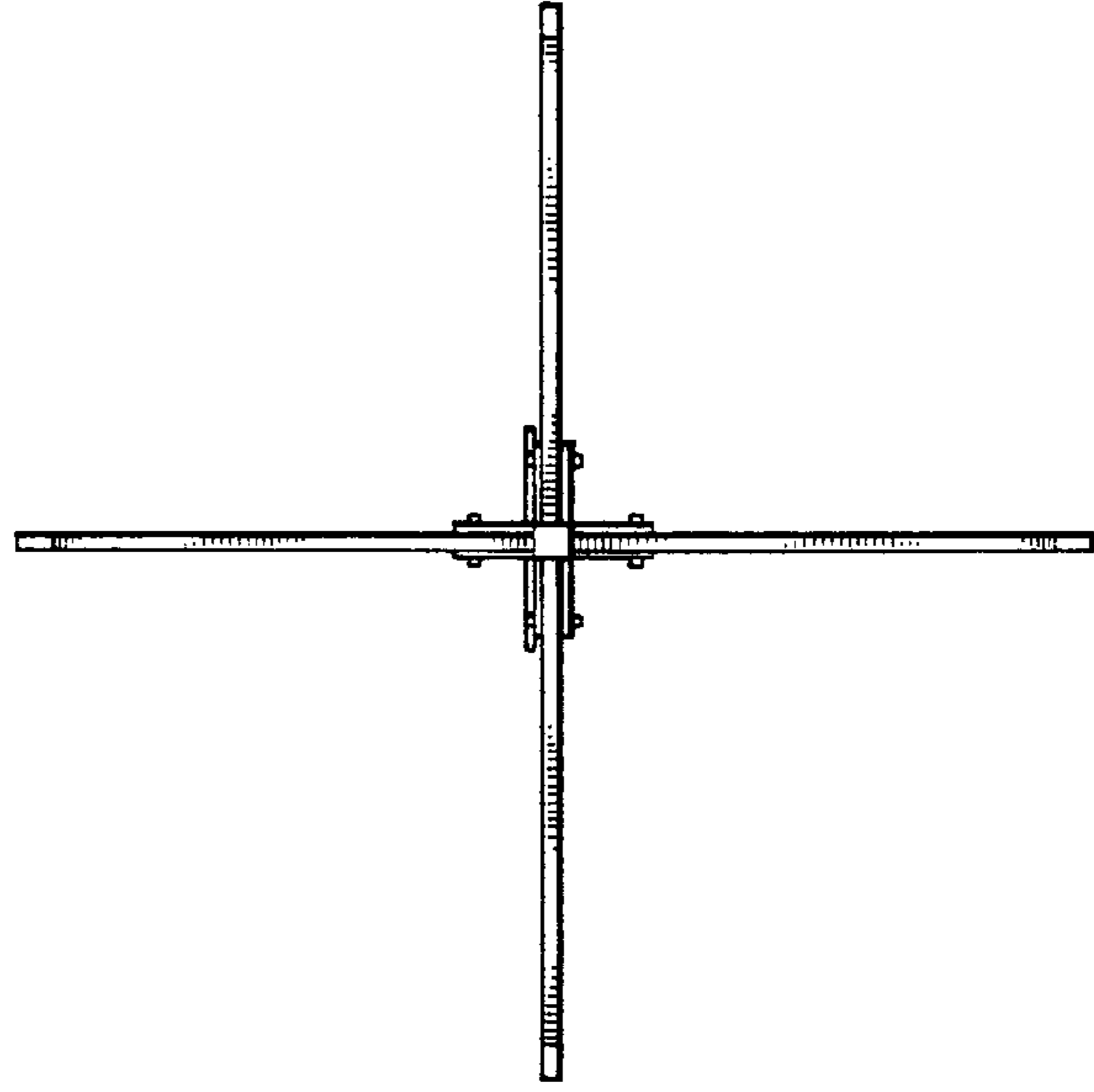


FIG. 6

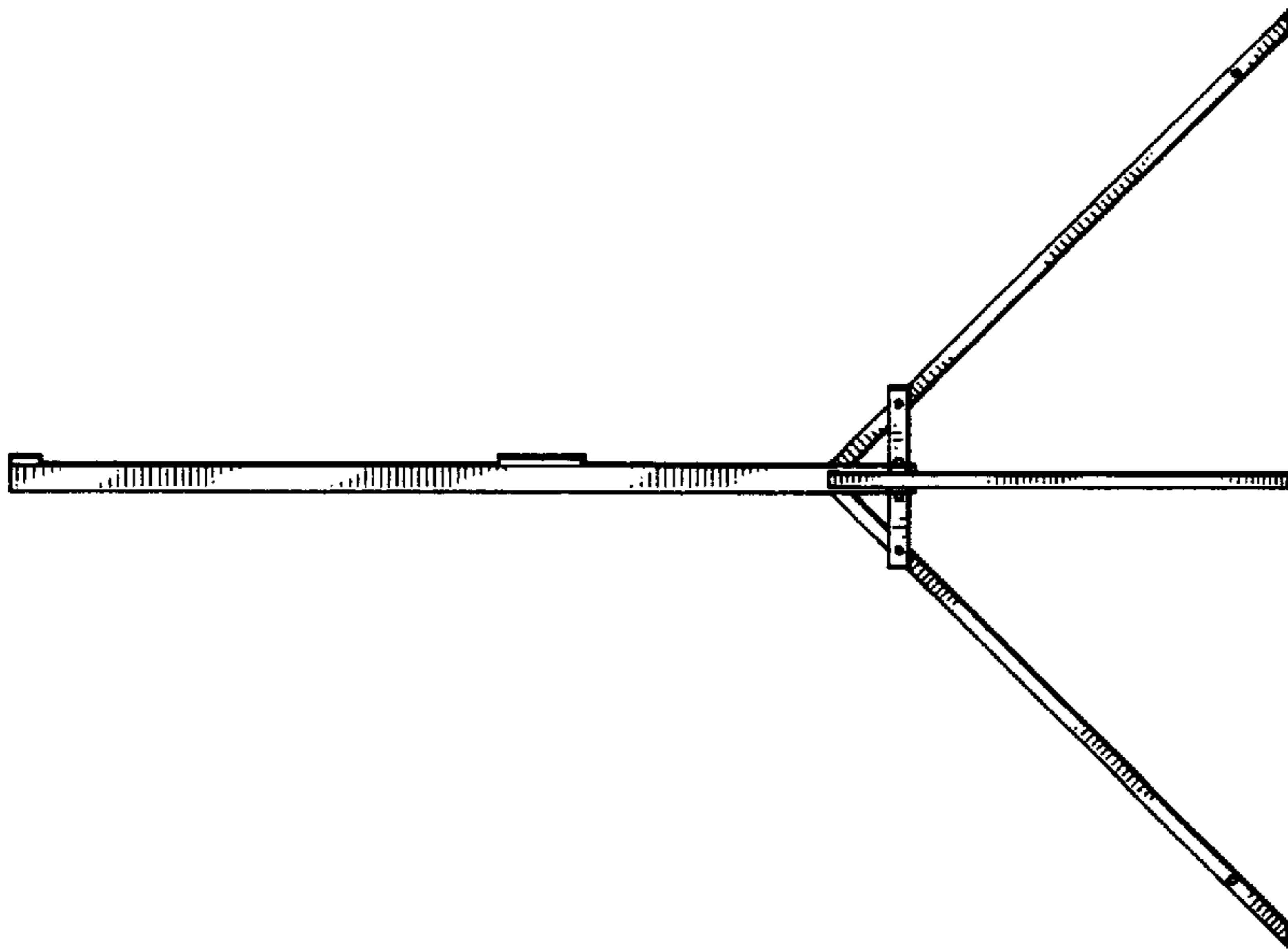


FIG. 4