



US00D418436S

**United States Patent** [19]  
**Lieblein**

[11] **Patent Number: Des. 418,436**  
[45] **Date of Patent: \*\* Jan. 4, 2000**

[54] **RACECAR TAPE MEASURE**

**DESCRIPTION**

[76] Inventor: **Bradford A. Lieblein**, 8351 Roswell Rd., Box 233, Atlanta, Ga. 30350

[\*\*] Term: **14 Years**

[21] Appl. No.: **29/105,336**

[22] Filed: **May 21, 1999**

[51] **LOC (7) Cl.** ..... **10-04**

[52] **U.S. Cl.** ..... **D10/72**

[58] **Field of Search** ..... D10/72; D21/548;  
33/761, 767, 770; 206/224, 371

[56] **References Cited**

**U.S. PATENT DOCUMENTS**

D. 402,997	12/1998	Campbell et al.	.....	D21/548	X
4,753,346	6/1988	Tsuji	.....	206/371	
5,441,149	8/1995	Willard et al.	.....	206/224	X

*Primary Examiner*—Antoine Duval Davis  
*Attorney, Agent, or Firm*—Bernstein & Associates

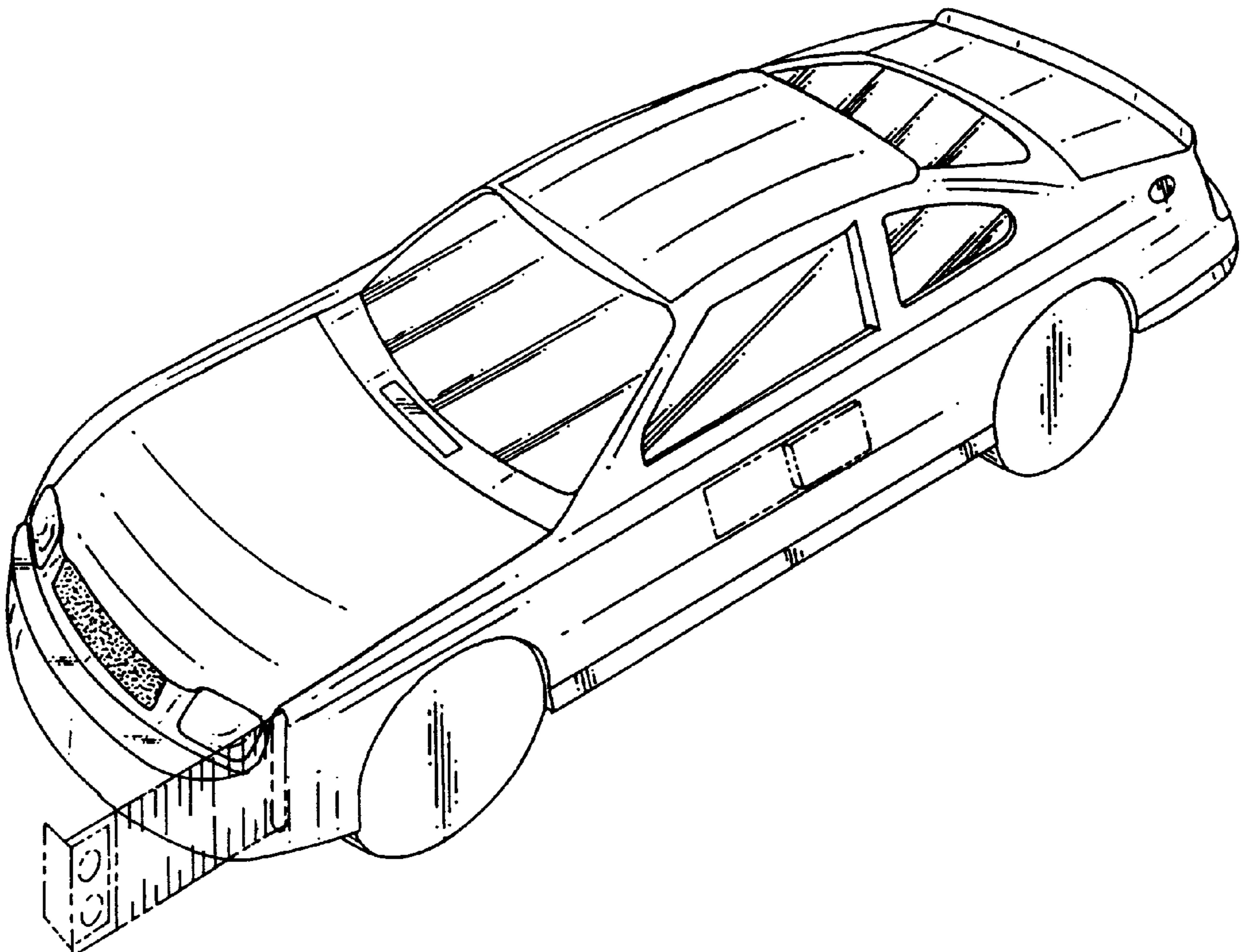
[57] **CLAIM**

The ornamental design for a racecar tape measure, as shown and described.

FIG. 1 is a perspective view of a first preferred embodiment of my racecar tape measure;  
 FIG. 2 is a top plan view thereof;  
 FIG. 3 is a left side elevation view thereof;  
 FIG. 4 is a right side elevation view thereof;  
 FIG. 5 is a rear side elevation view thereof;  
 FIG. 6 is a front side elevation view thereof;  
 FIG. 7 is a bottom plan view thereof;  
 FIG. 8 is a perspective view of a second preferred embodiment of my racecar tape measure;  
 FIG. 9 is a perspective view of a third preferred embodiment of my racecar tape measure;  
 FIG. 10 is a top plan view thereof;  
 FIG. 11 is a left side elevation view thereof;  
 FIG. 12 is a right side elevation view thereof;  
 FIG. 13 is a rear side elevation view thereof;  
 FIG. 14 is front side elevation view thereof;  
 FIG. 15 is a bottom plan view thereof;  
 FIG. 16 is a side elevation view of the fourth preferred embodiment;  
 FIG. 17 is a side elevation view of the fifth preferred embodiment; and,  
 FIG. 18 is a side elevation view of the sixth preferred embodiment.

The broken line showing is for illustrative purposes only and forms no part of the claimed design.

**1 Claim, 13 Drawing Sheets**



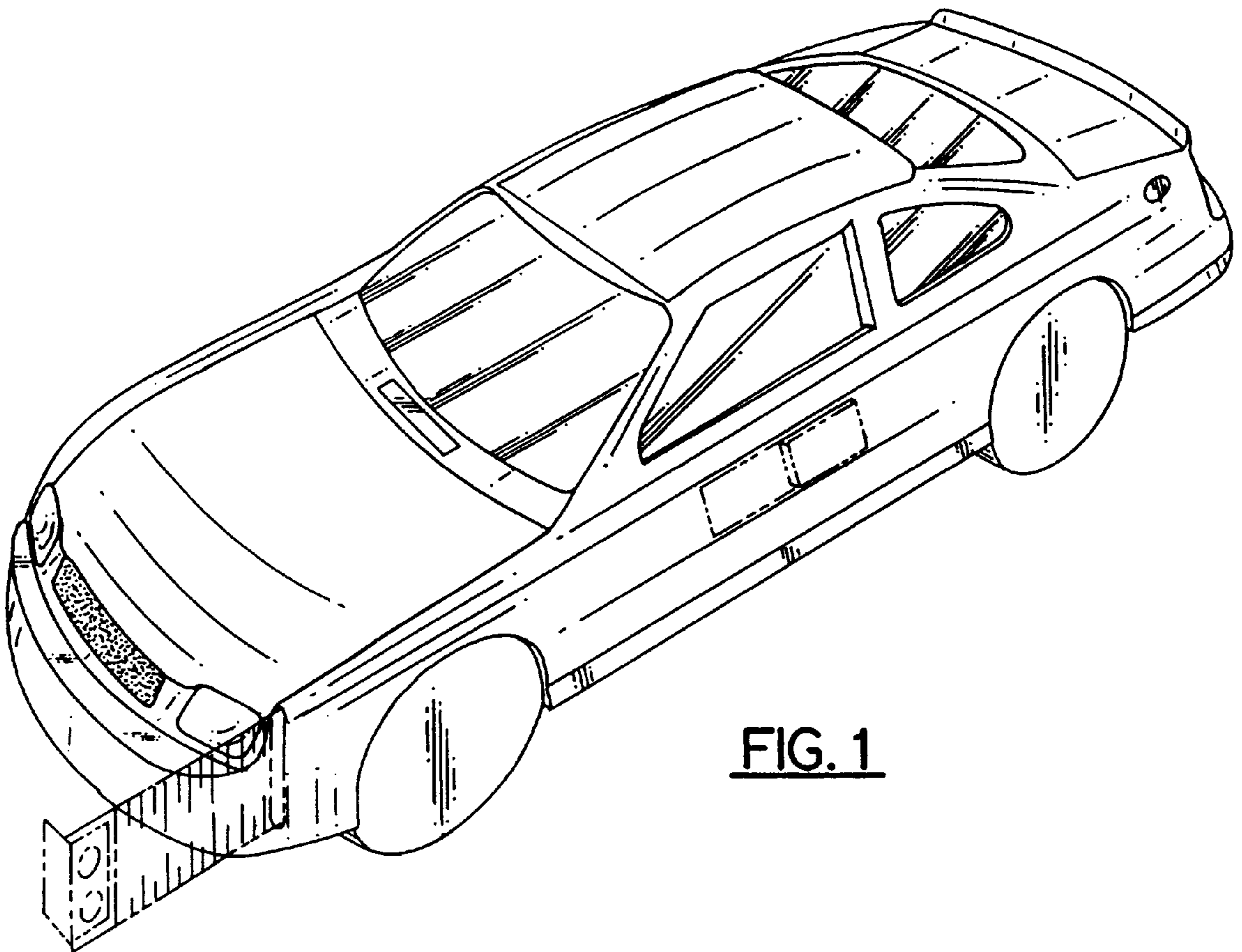


FIG. 1

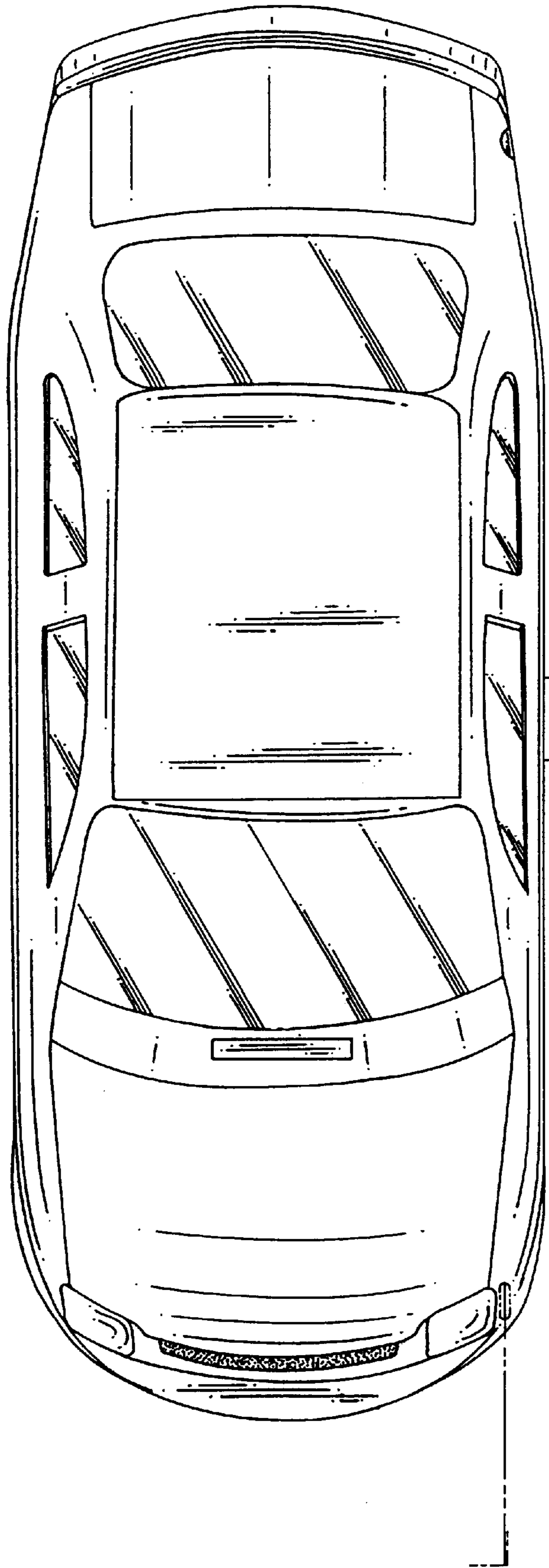


FIG. 2

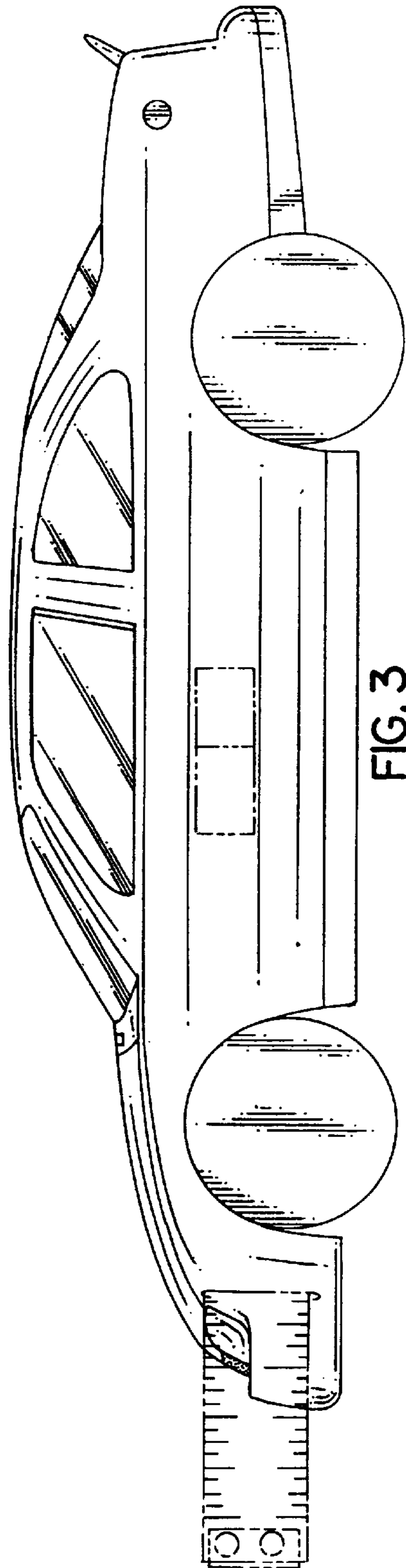


FIG. 3

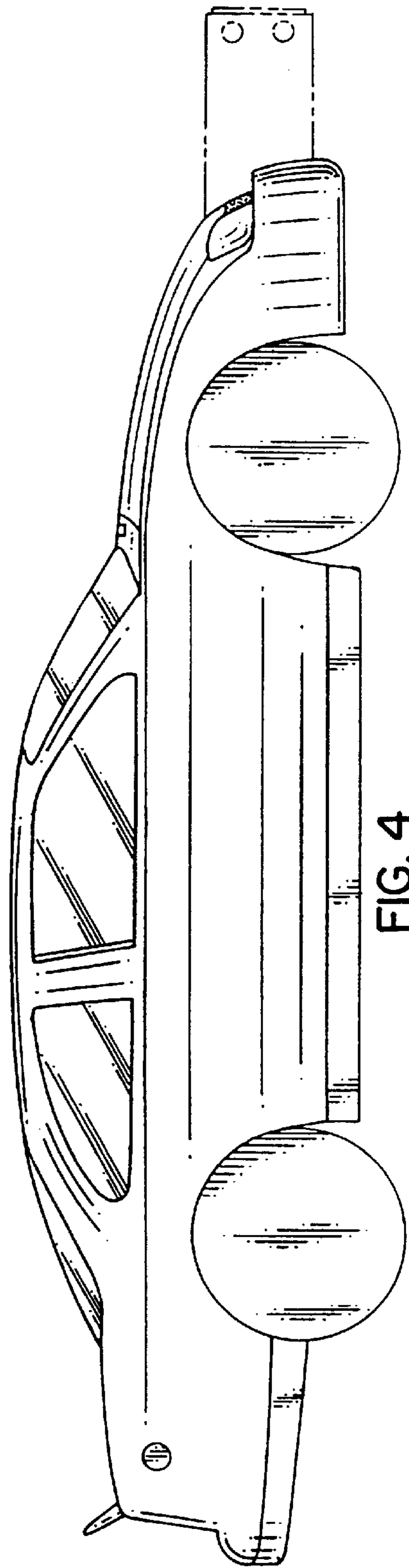


FIG. 4

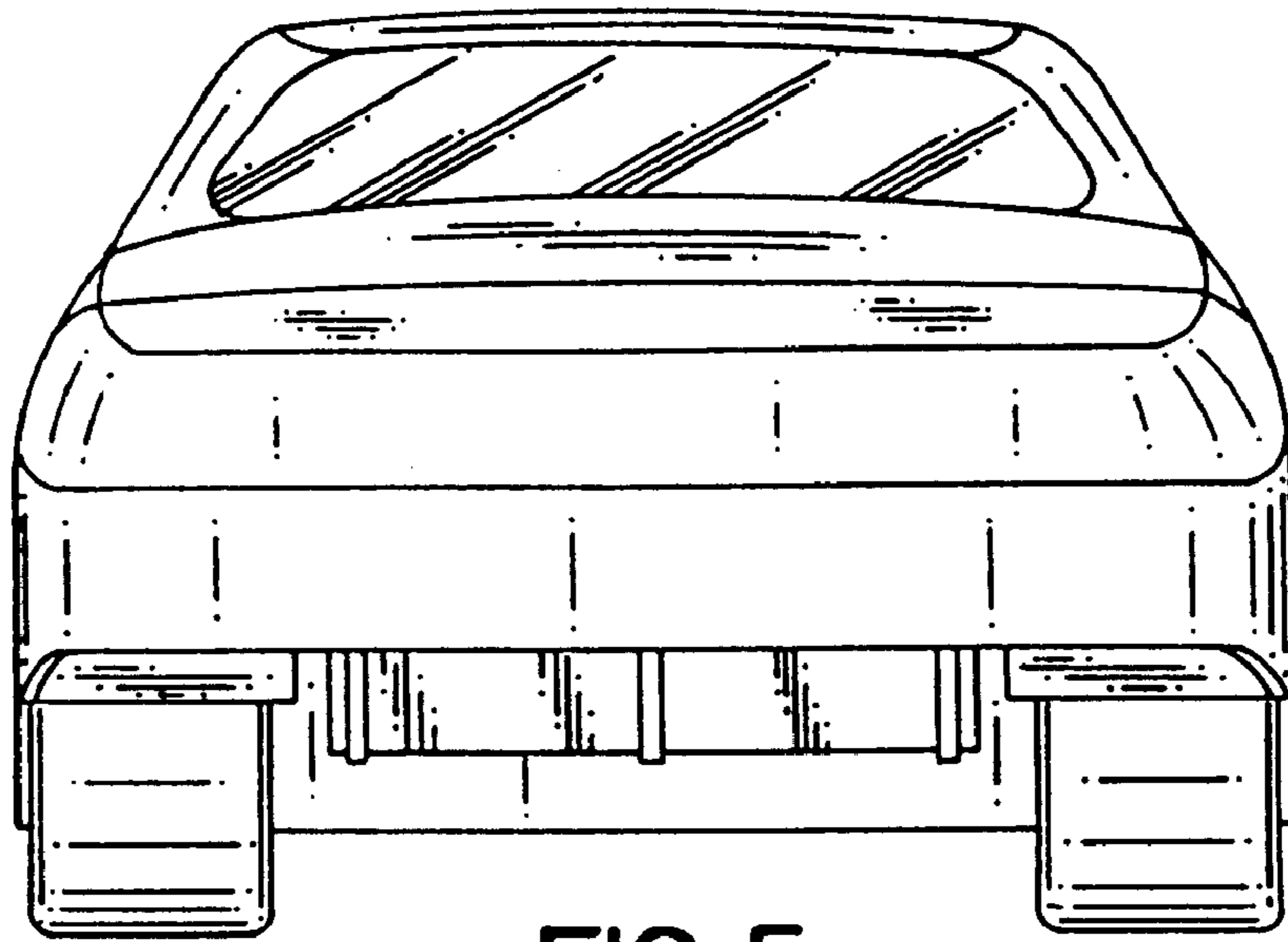


FIG. 5

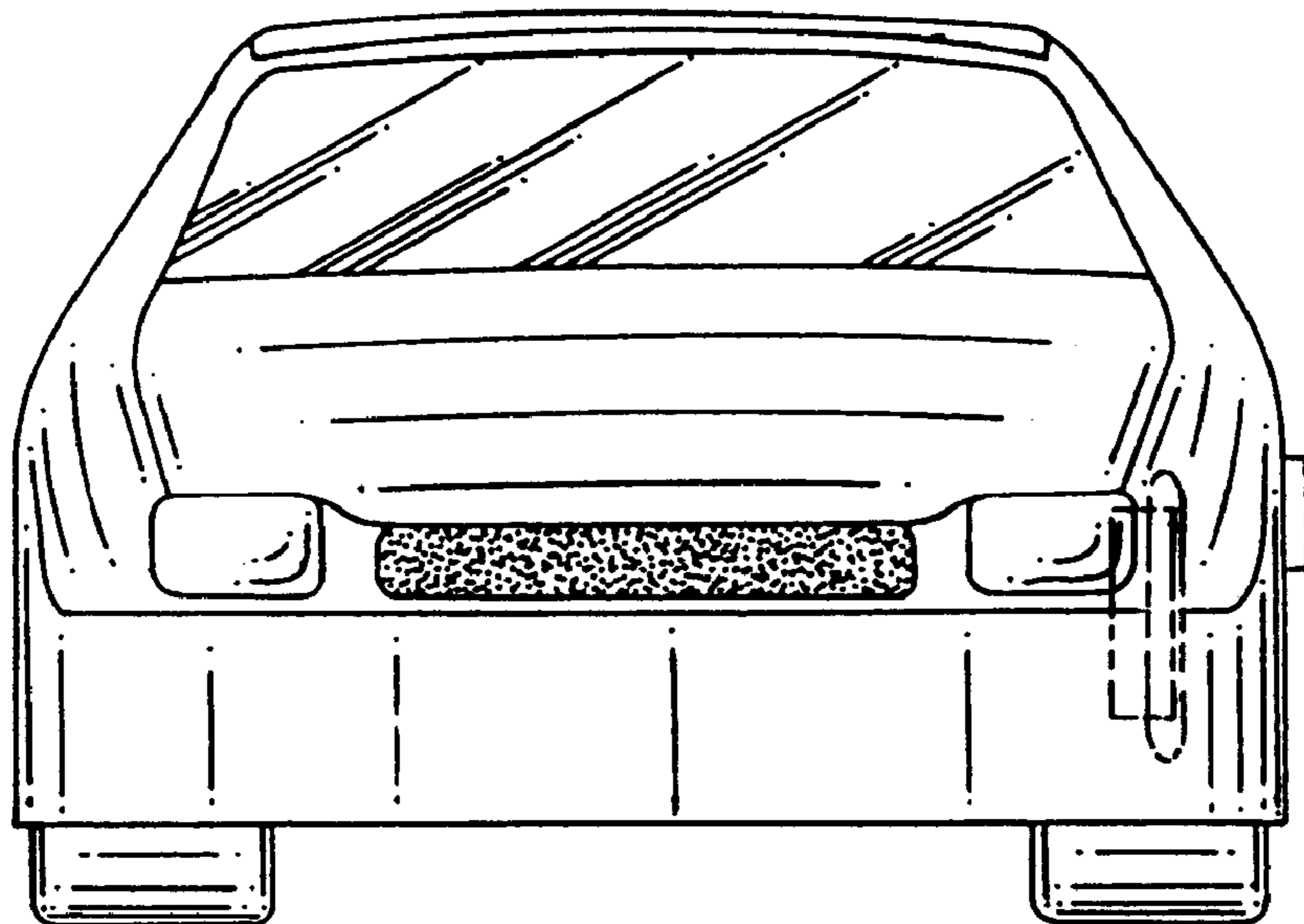


FIG. 6

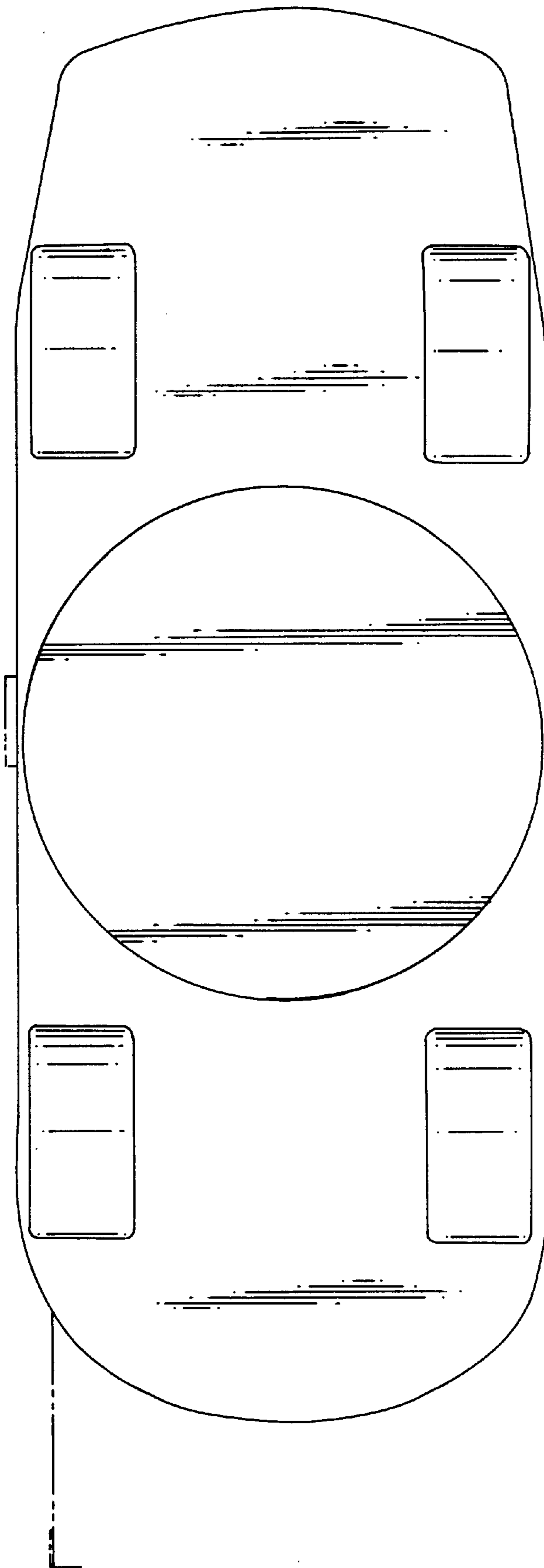


FIG.7

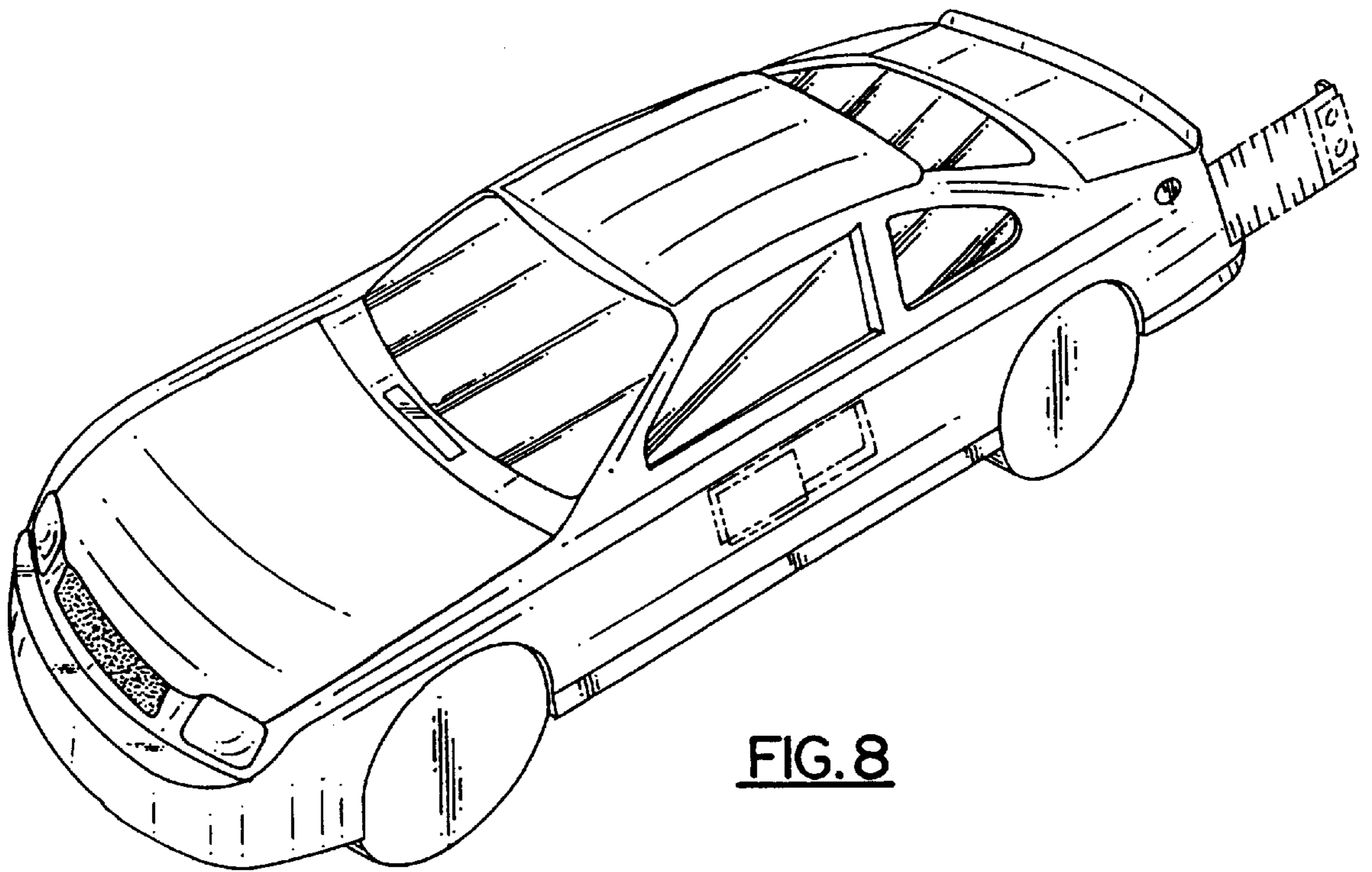


FIG. 8

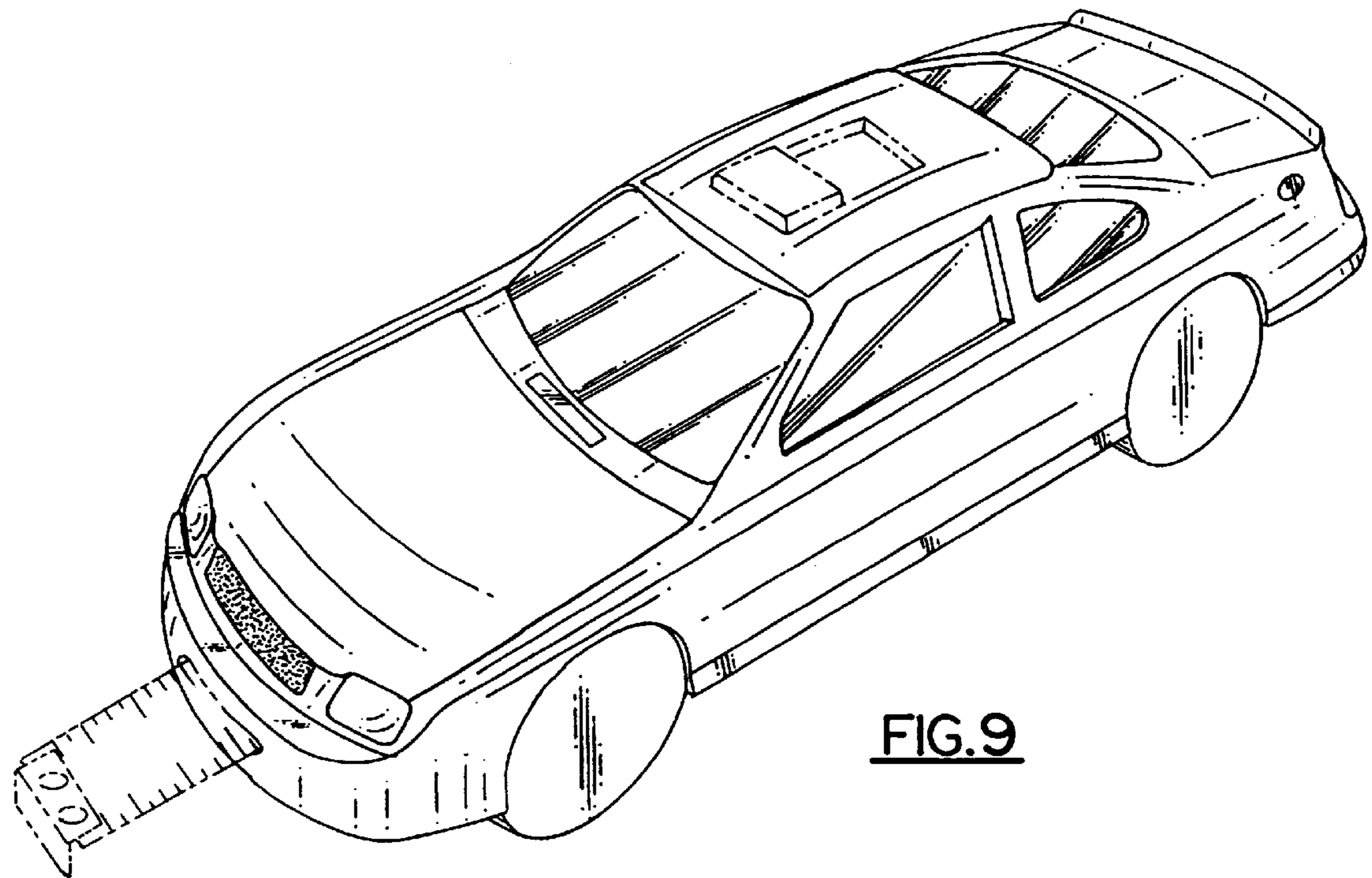


FIG.9



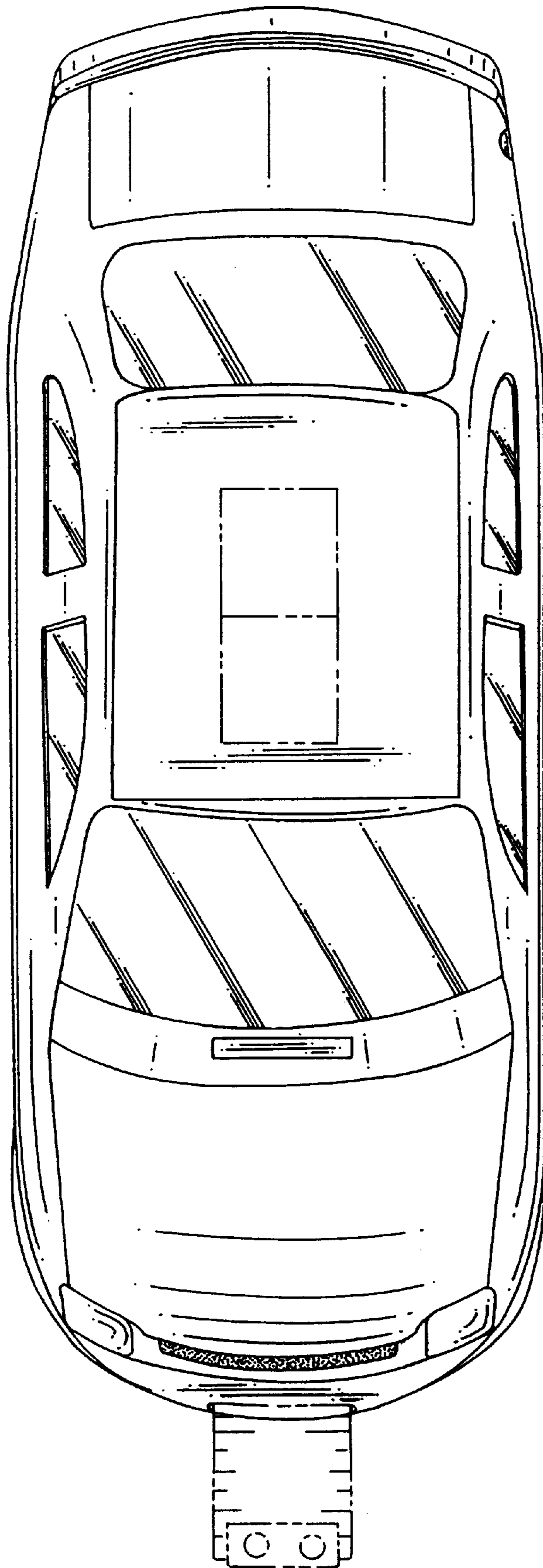
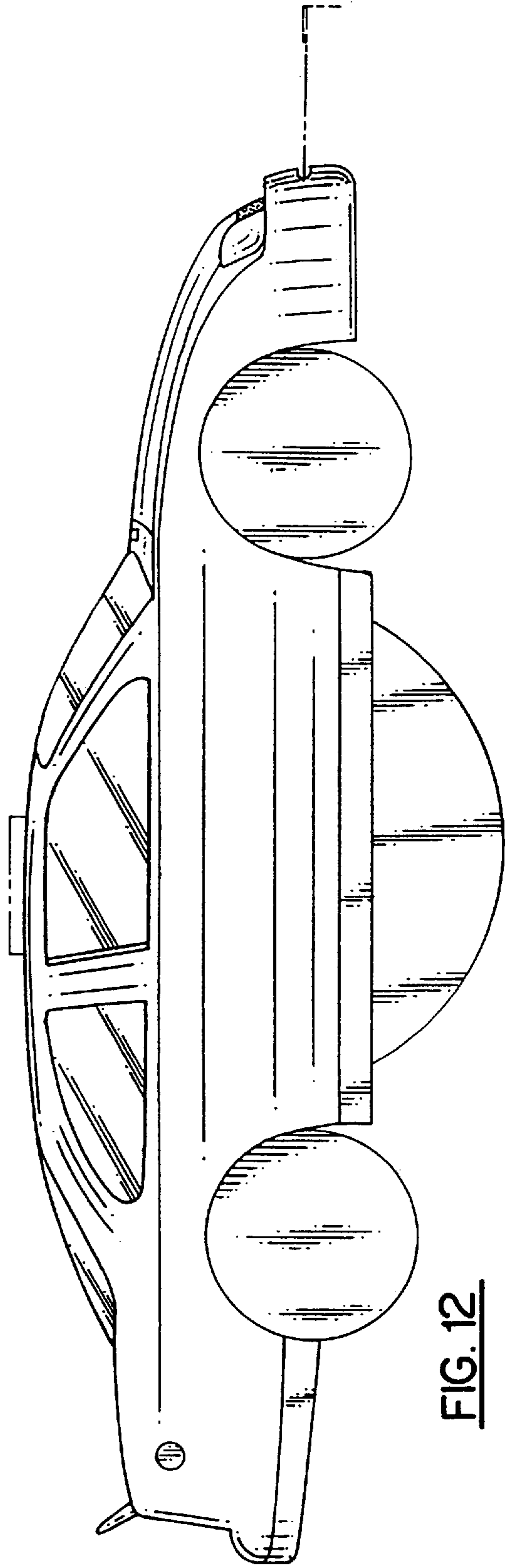
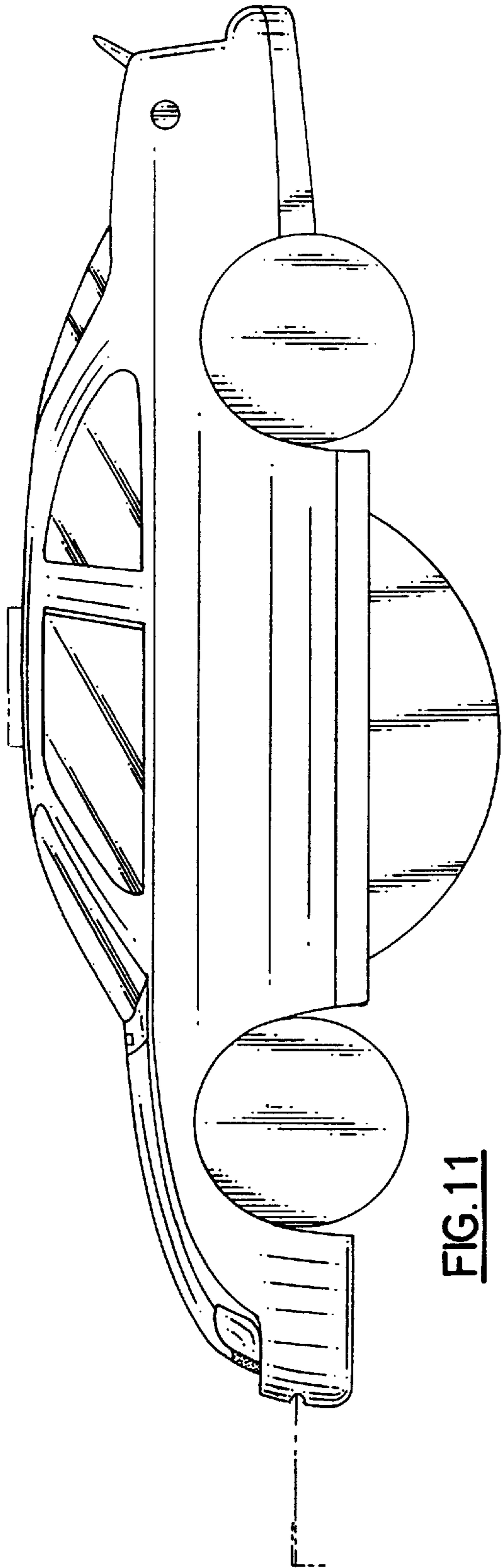


FIG.10



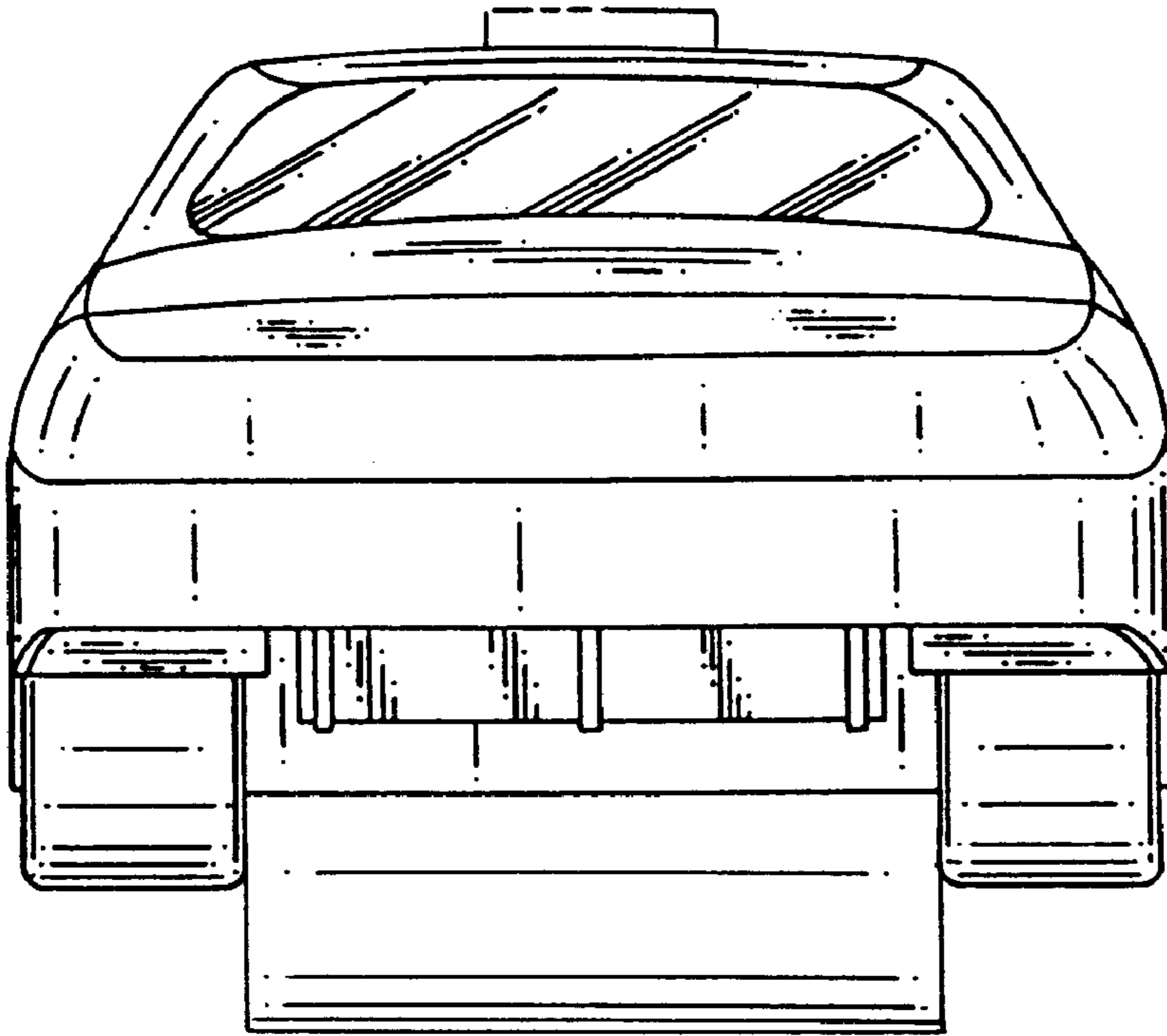


FIG. 13

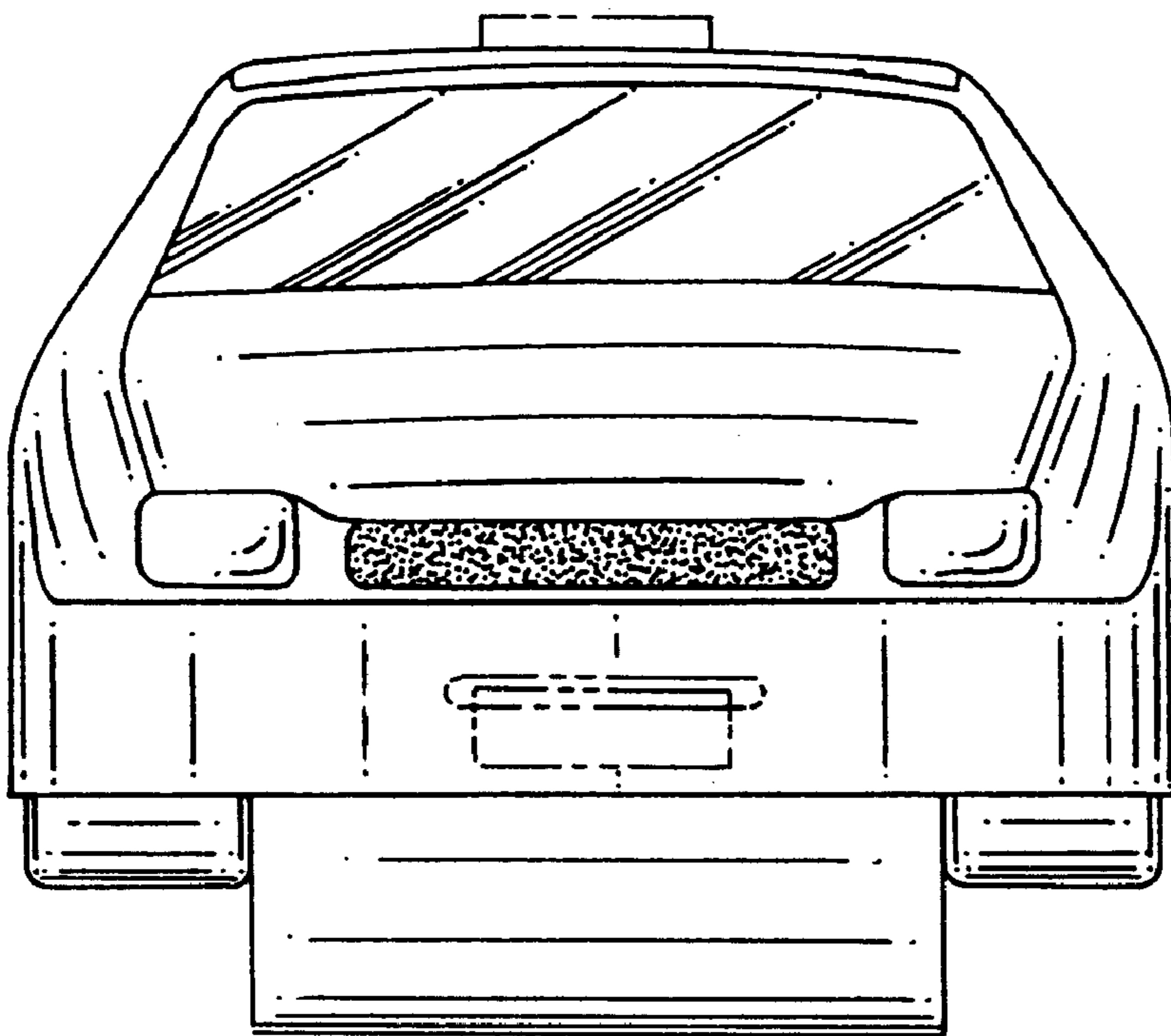


FIG. 14

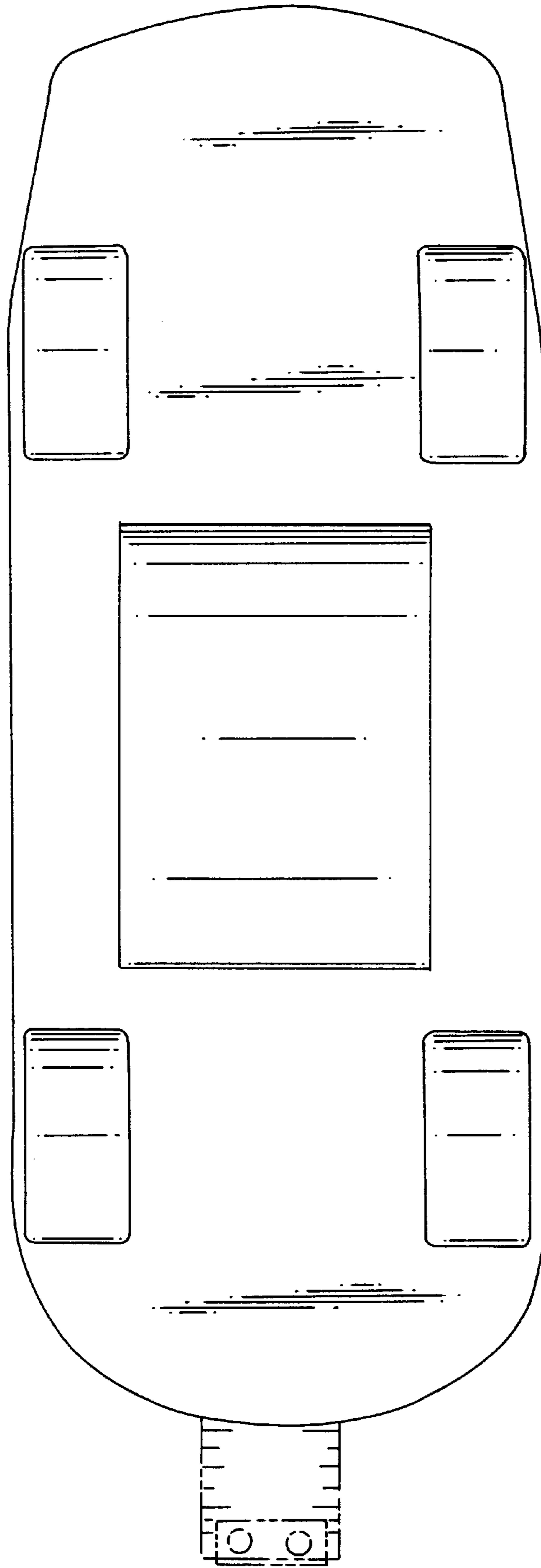
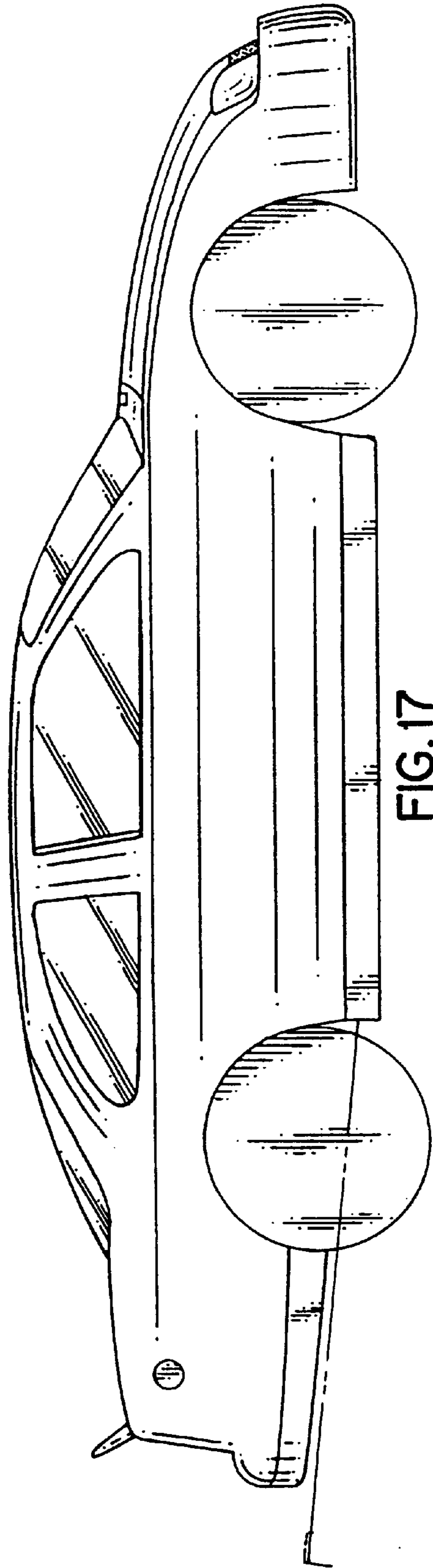


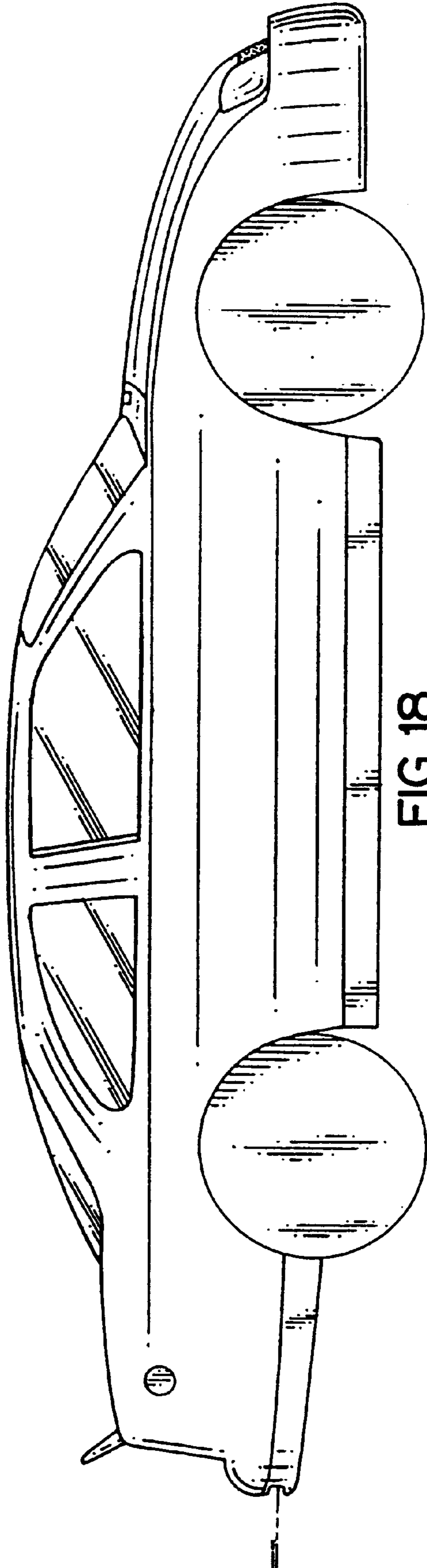
FIG. 15



**FIG. 16**



**FIG. 17**



**FIG. 18**