



US00D418434S

**United States Patent** [19]  
**Krantz**

[11] **Patent Number: Des. 418,434**  
[45] **Date of Patent: \*\* Jan. 4, 2000**

[54] **BASE FOR A LASER LEVEL**

[75] Inventor: **Norman L. Krantz**, San Jose, Calif.

[73] Assignee: **Zircon Corporation**, Campbell, Calif.

[\*\*] Term: **14 Years**

[21] Appl. No.: **29/092,147**

[22] Filed: **Aug. 13, 1998**

[51] **LOC (7) Cl.** ..... **10-04**

[52] **U.S. Cl.** ..... **D10/69**

[58] **Field of Search** ..... D10/69; 33/291,  
33/295, DIG. 21; 356/138, 249, 250; 372/9-30

[56] **References Cited**

**U.S. PATENT DOCUMENTS**

- D. 348,227 6/1994 Nielsen et al. .... D10/69
- 5,400,514 3/1995 Imbrie et al. .... 33/DIG. 21
- 5,907,907 6/1999 Ohtomo et al. .... 33/DIG. 21

**OTHER PUBLICATIONS**

Pro Shot™, Model L1-AS, on sale before Aug. 13, 1998.  
Marksman RL-50, Topcon Laser Products Division, on sale before Aug. 13, 1998.

AutoLaser 500 Electronic Level System (AEL-500), David White, Inc., on sale before Aug. 13, 1998.  
LB-4 Dual Grade Laser Beacon, Laser Alignment, Inc., on sale before Aug. 13, 1998.  
Model Laser RL-VH rotating laser, Topcon, on sale before Aug. 13, 1998.

*Primary Examiner*—Antoine Duval Davis  
*Attorney, Agent, or Firm*—SAIDMAN DesignLaw Group

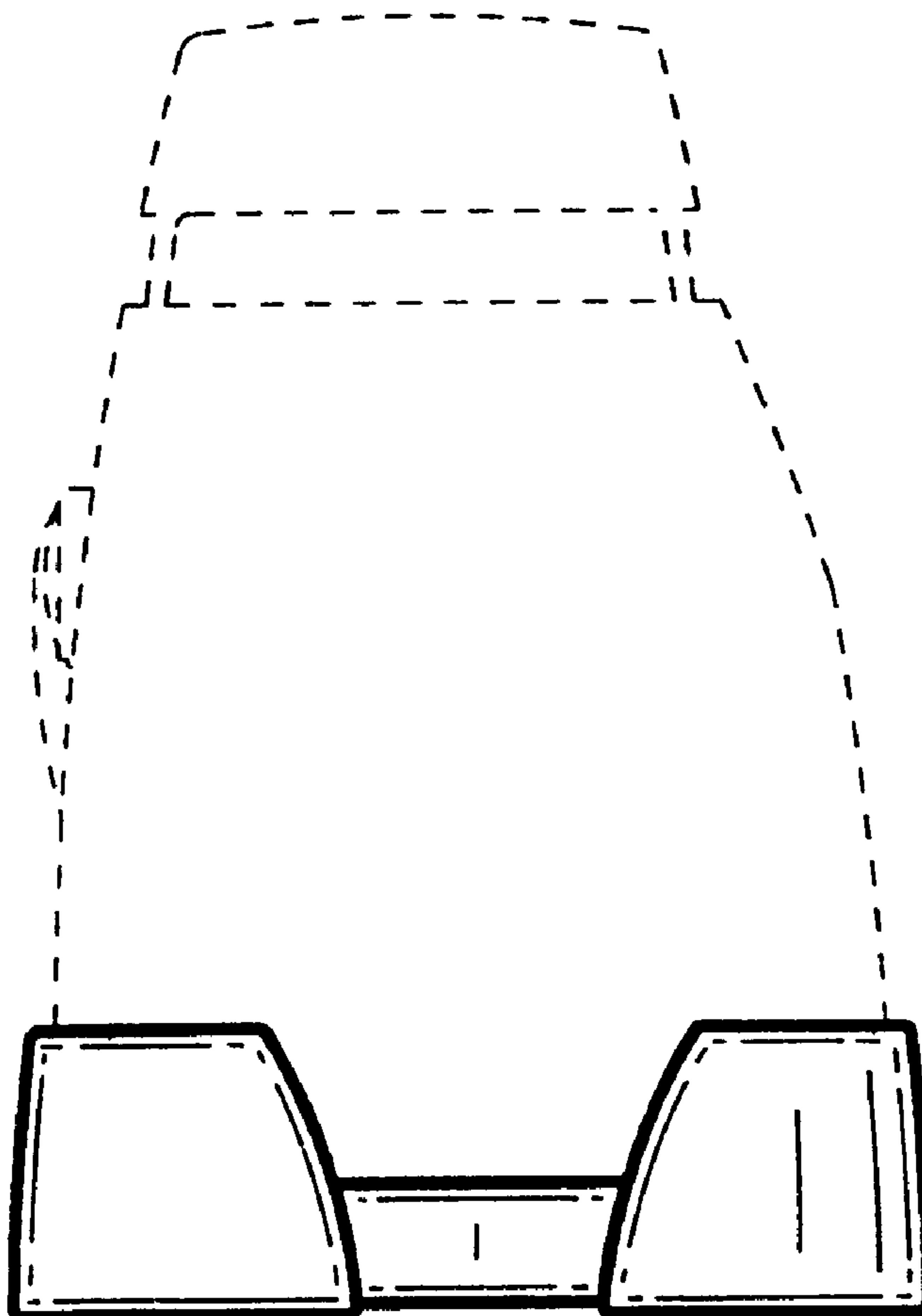
[57] **CLAIM**

The ornamental design for a base for a laser level, as shown and described.

**DESCRIPTION**

FIG. 1 is a top view of a base for a laser level showing my new design;  
FIG. 2 is a front view thereof;  
FIG. 3 is a left side view thereof;  
FIG. 4 is a rear view thereof;  
FIG. 5 is a right side view thereof; and,  
FIG. 6 is a bottom view thereof.  
The broken lines shown in FIGS. 1-6 are environmental only and form no part of the claimed design.

**1 Claim, 2 Drawing Sheets**



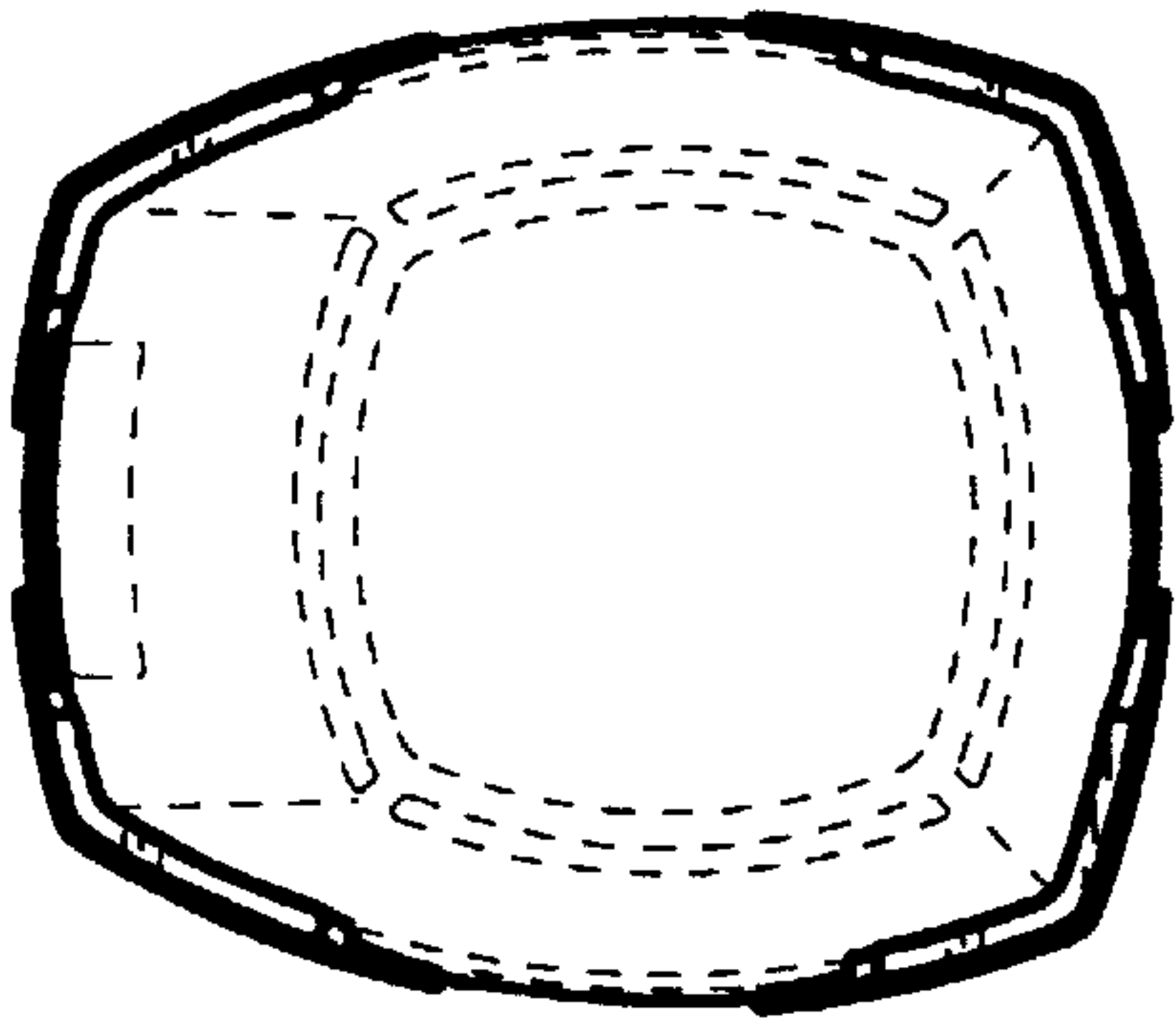


FIG. 1

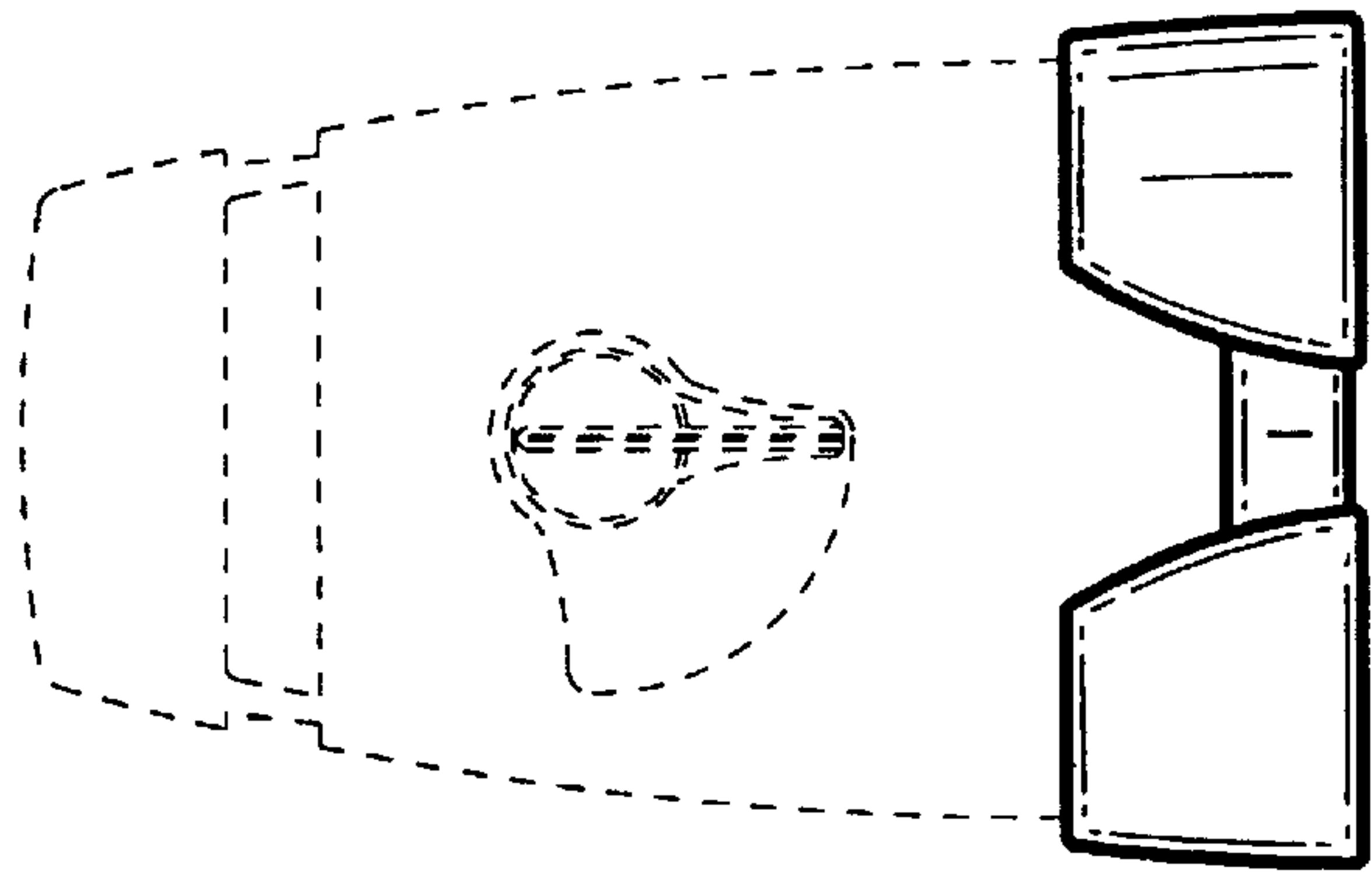


FIG. 2

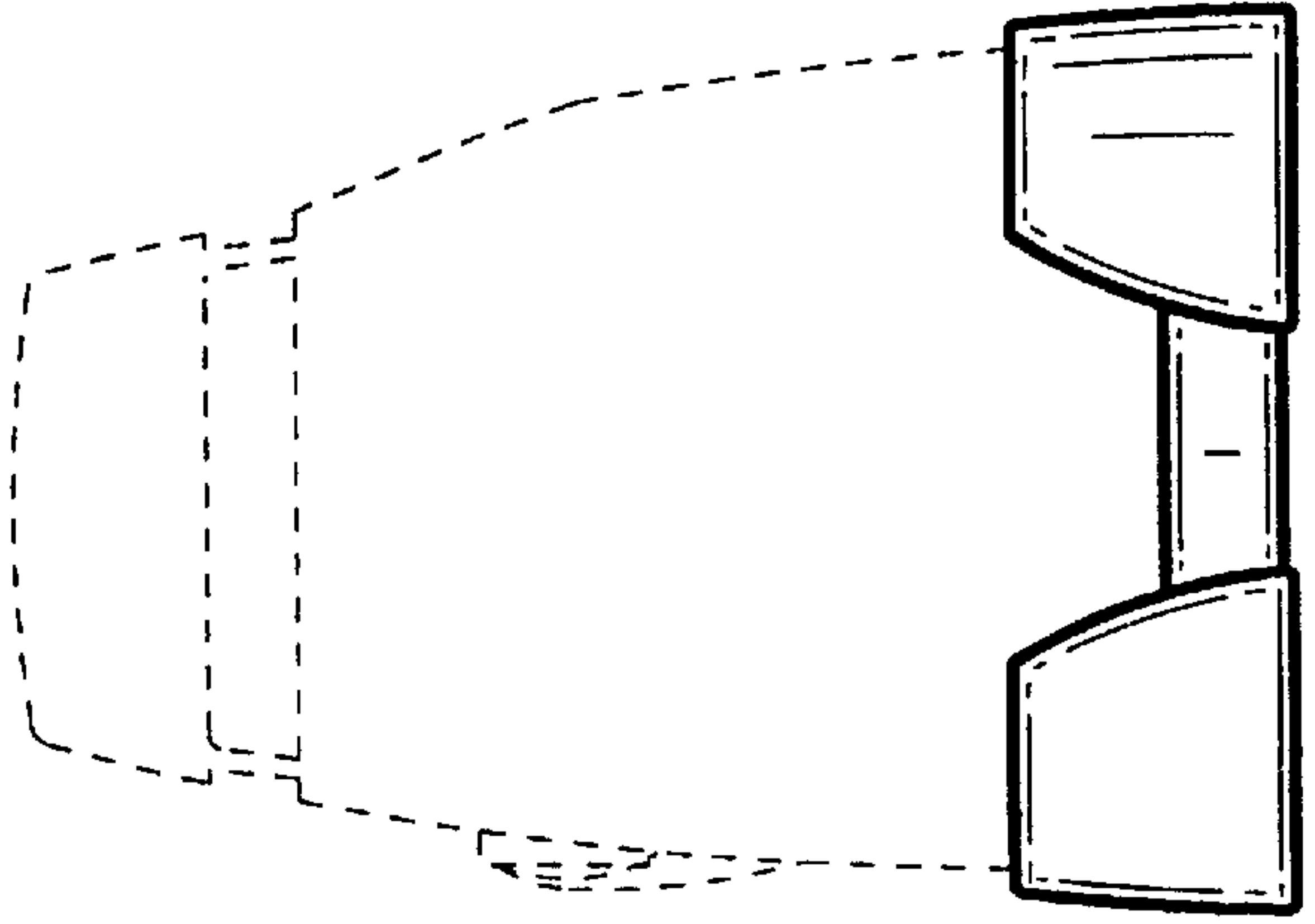


FIG. 3

FIG. 5

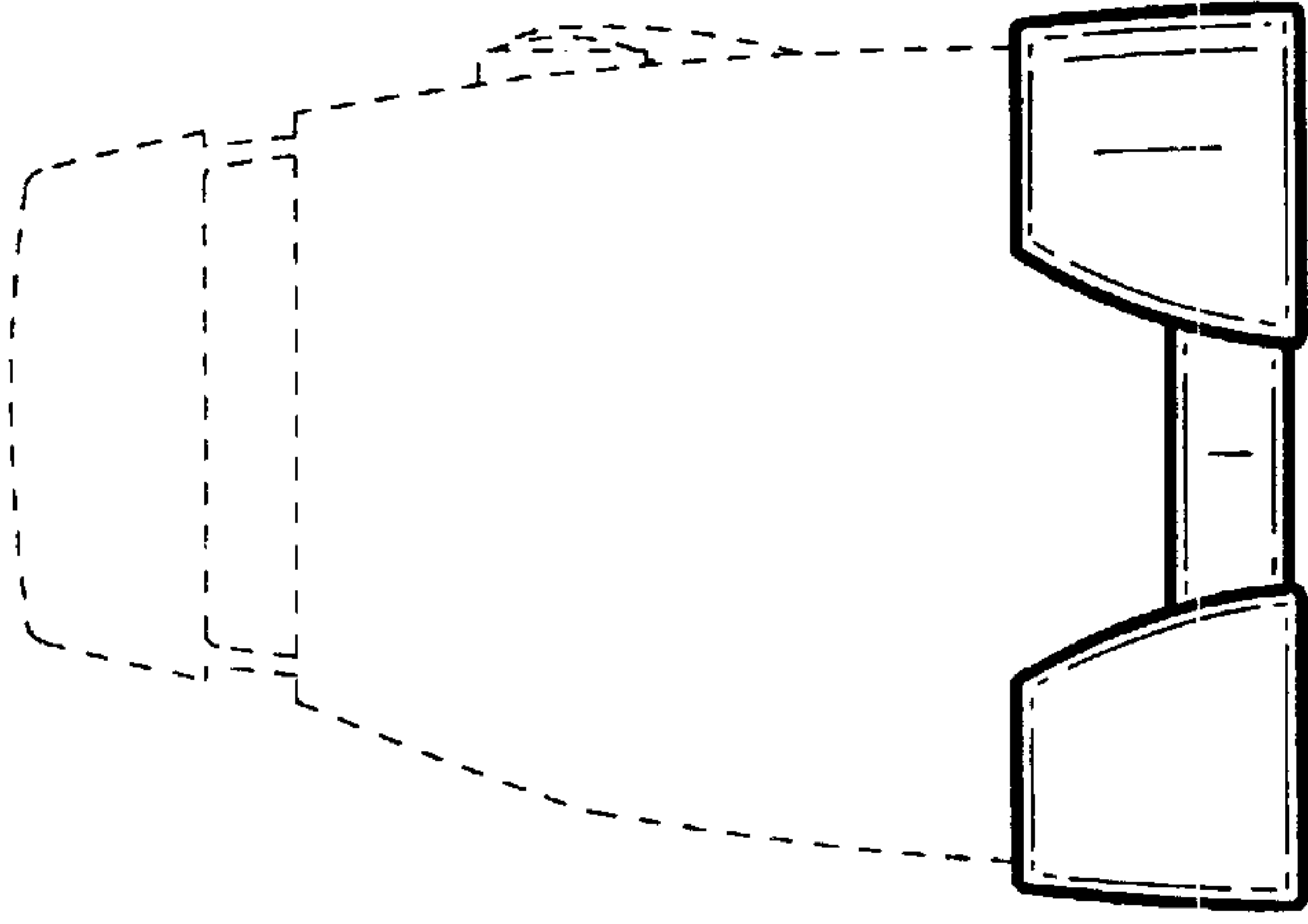


FIG. 4

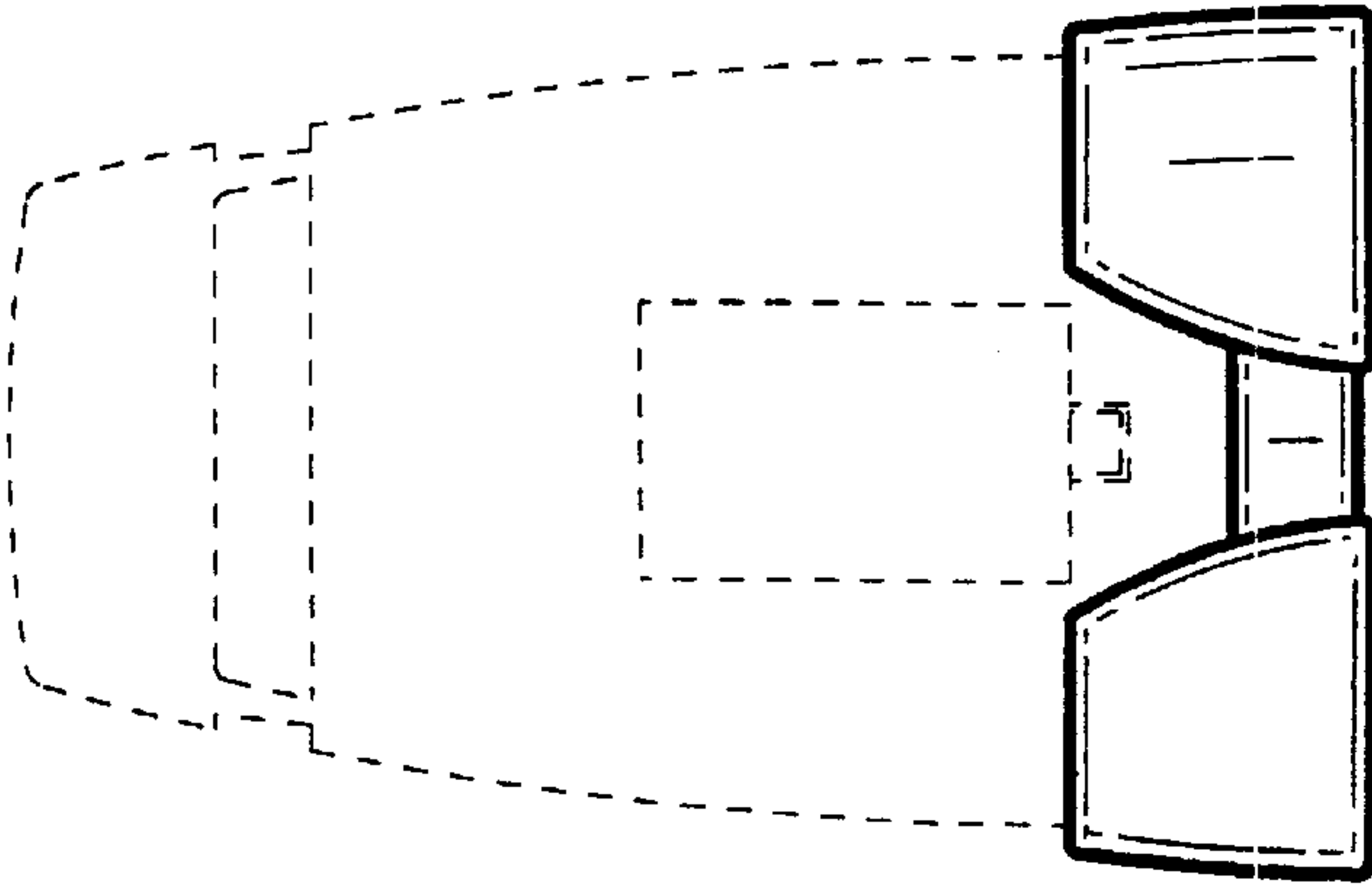


FIG. 6

