



US00D418433S

United States Patent [19]
Krantz

[11] **Patent Number: Des. 418,433**
[45] **Date of Patent: ** Jan. 4, 2000**

[54] **BASE FOR A LASER ALIGNMENT TOOL**

PLS⁵® Laser Alignment Tool, on sale before Aug. 13, 1998.

[75] Inventor: **Norman L. Krantz**, San Jose, Calif.

Primary Examiner—Antoine Duval Davis
Attorney, Agent, or Firm—Saidman DesignLaw Group

[73] Assignee: **Zircon Corporation**, Campbell, Calif.

[**] Term: **14 Years**

[57] **CLAIM**

[21] Appl. No.: **29/092,146**

The ornamental design for a base for a laser alignment tool, as shown and described.

[22] Filed: **Aug. 13, 1998**

DESCRIPTION

[51] **LOC (7) Cl.** **10-04**

[52] **U.S. Cl.** **D10/69**

[58] **Field of Search** D10/69; 33/291, 33/295, DIG. 21; 356/138, 249, 250; 372/9-30

FIG. 1 is a top view of a base for a laser alignment tool showing my new design;

FIG. 2 is a left side view thereof;

FIG. 3 is a front view thereof;

FIG. 4 is a right side view thereof;

FIG. 5 is a rear view thereof; and,

FIG. 6 is a bottom view thereof.

The broken lines shown in FIGS. 1 - 6 are environmental only and form no part of the claimed design.

[56] **References Cited**

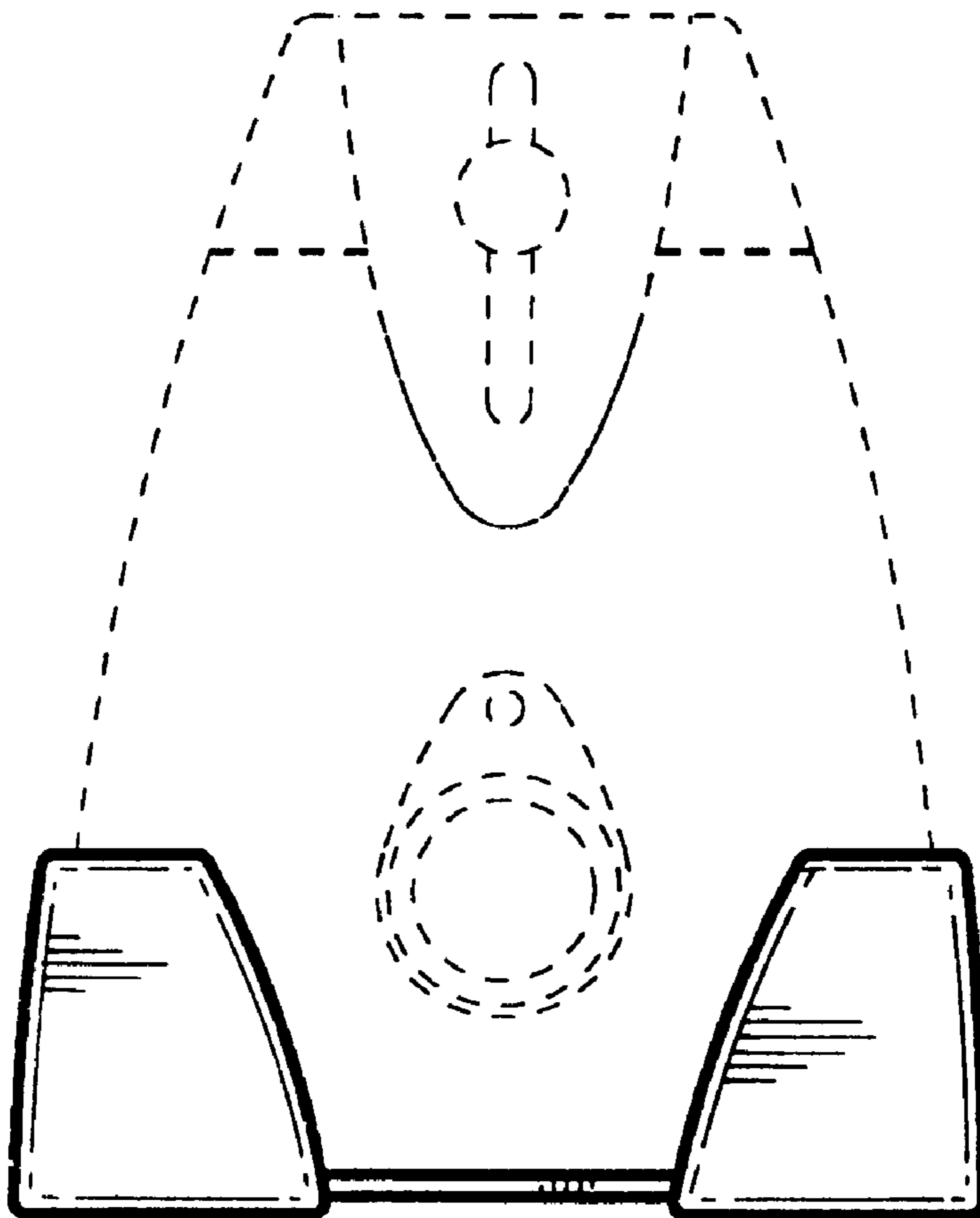
U.S. PATENT DOCUMENTS

- D. 348,227 6/1994 Nielsen et al. D10/69
- 5,400,514 3/1995 Imbrie et al. 33/DIG. 21
- 5,907,907 6/1999 Ohtomo et al. 33/DIG. 21

OTHER PUBLICATIONS

SL-24 Laser, L.P. Industries, on sale before Aug. 13, 1998.
LeveLite™ SL, LeveLite Technology Inc., on sale before Aug. 13, 1998.

1 Claim, 2 Drawing Sheets



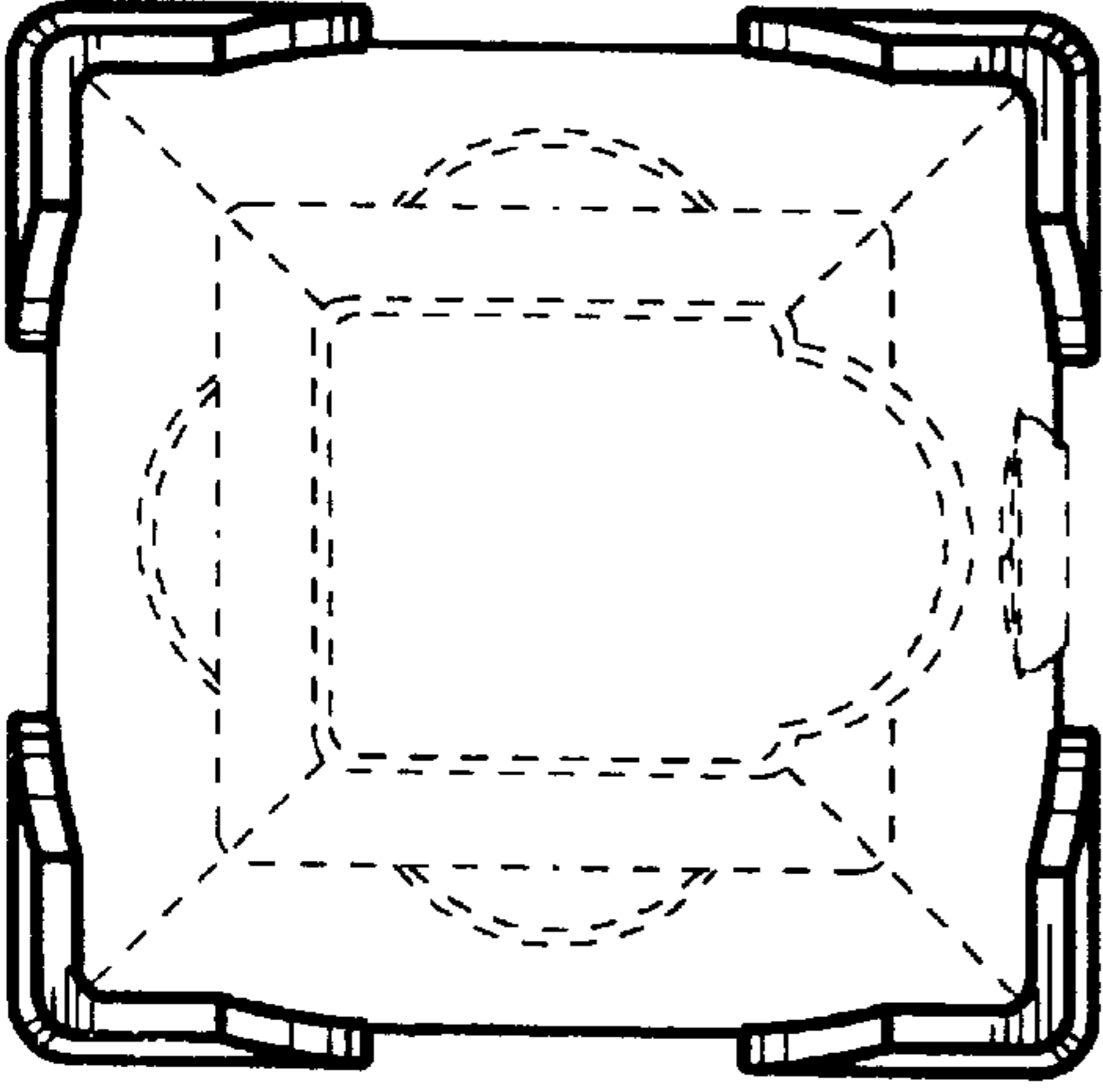


FIG. 1

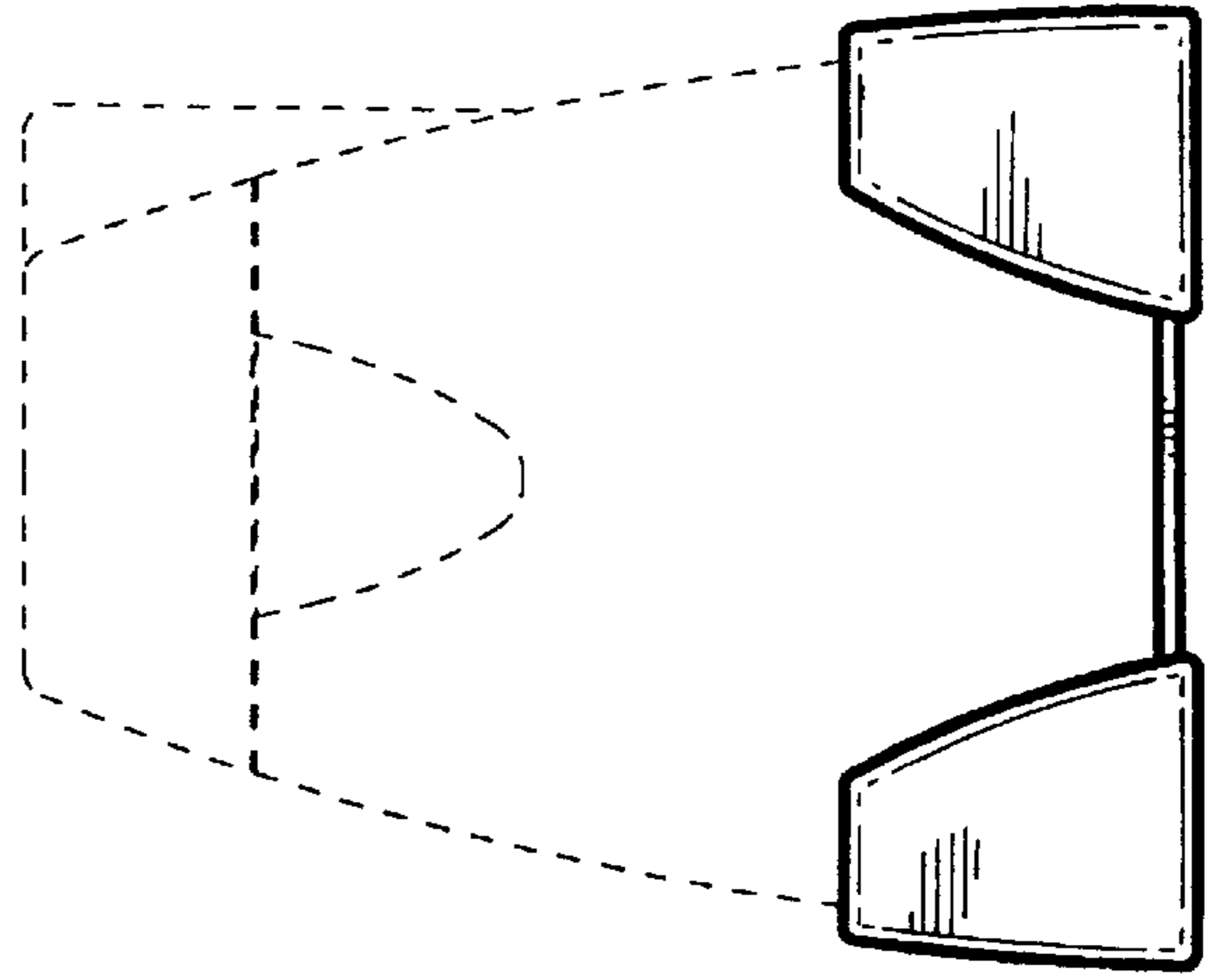


FIG. 2

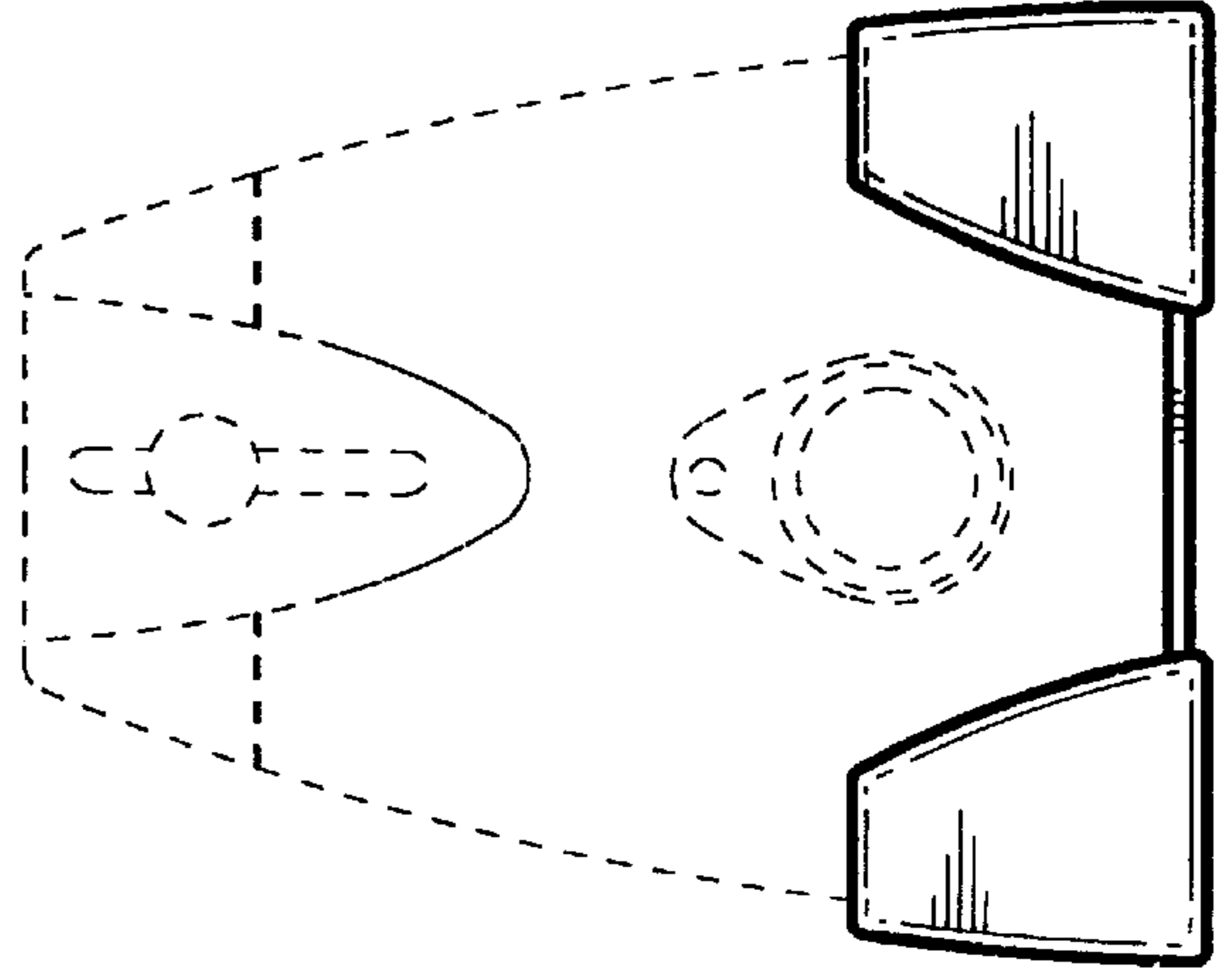


FIG. 3

FIG. 5

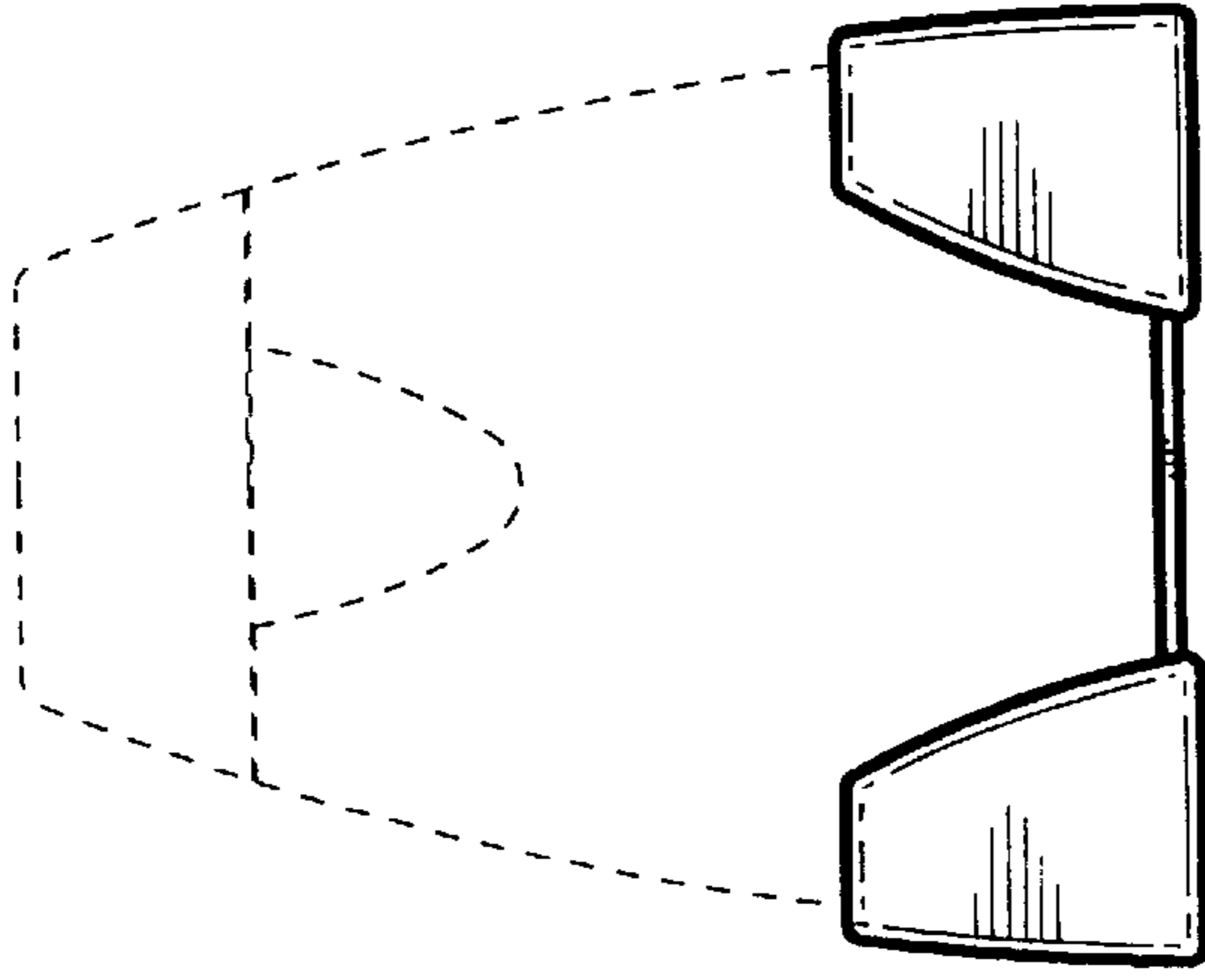


FIG. 4

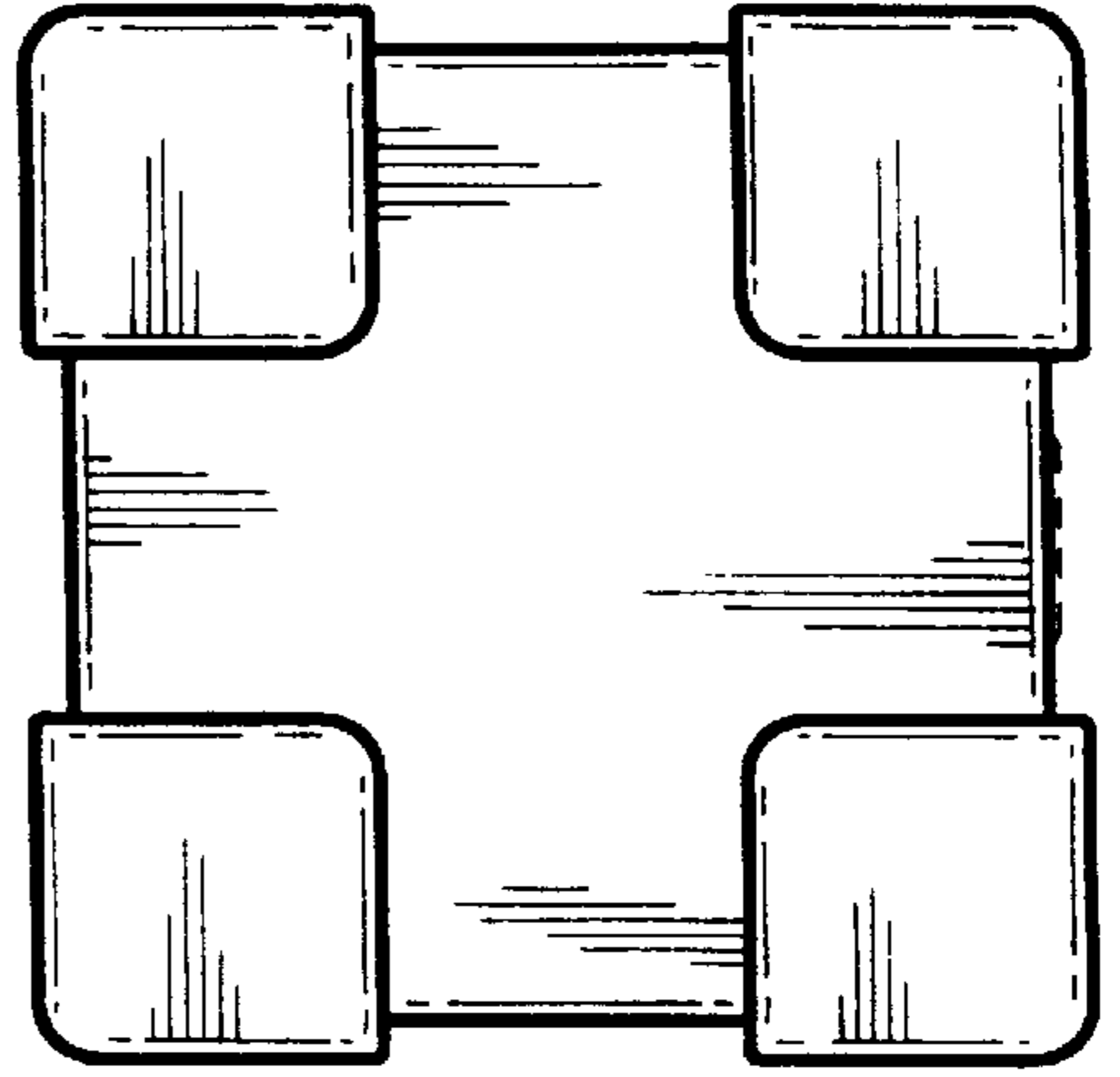
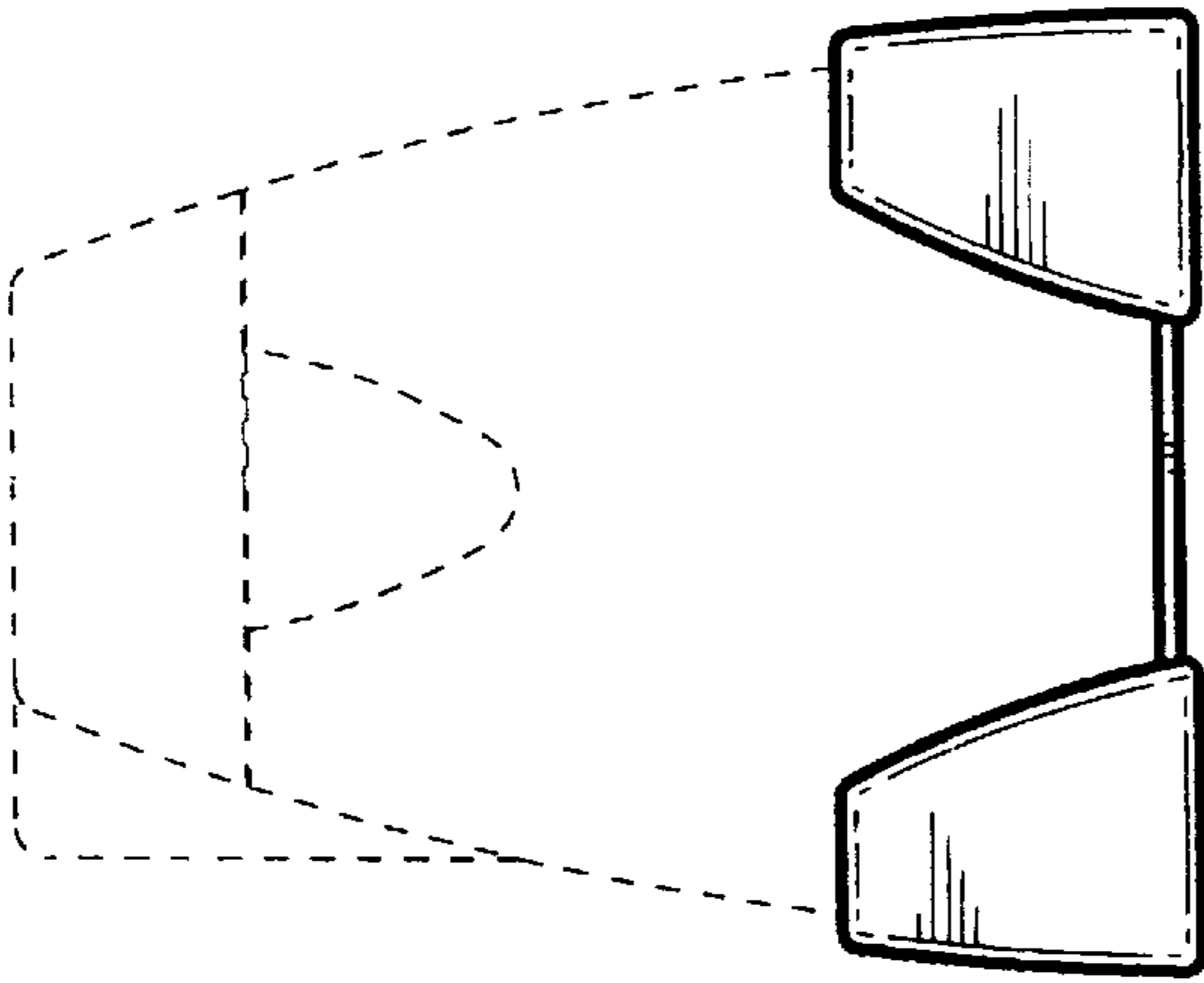


FIG. 6