



US00D418432S

United States Patent [19]

[11] **Patent Number: Des. 418,432**

Krantz

[45] **Date of Patent: ** Jan. 4, 2000**

[54] **LASER LEVEL**

[75] Inventor: **Norman L. Krantz**, San Jose, Calif.

[73] Assignee: **Zircon Corporation**, Campbell, Calif.

[**] Term: **14 Years**

[21] Appl. No.: **29/092,145**

[22] Filed: **Aug. 13, 1998**

[51] **LOC (7) Cl.** **10-04**

[52] **U.S. Cl.** **D10/69**

[58] **Field of Search** D10/69; 33/291,
33/295, DIG. 21; 356/138, 249, 250; 372/9-30

[56] **References Cited**

U.S. PATENT DOCUMENTS

D. 348,227	6/1994	Nielsen et al.	D10/69
5,400,514	3/1995	Imbrie et al.	33/DIG. 21
5,907,907	6/1999	Ohtomo et al.	33/DIG. 21

OTHER PUBLICATIONS

Pro Shot™, Model L1-AS, on sale before Aug. 13, 1998.
Marksman RL-50, Topcon Laser Products Division, on sale before Aug. 13, 1998.

AutoLaser 500 Electronic Level System (AEL-500), David White, Inc., on sale before Aug. 13, 1998.

LB-4 Dual Grade Laser Beacon, Laser Alignment, Inc., on sale before Aug. 13, 1998.

Model RL-VH rotating laser, Topcon, on sale before Aug. 13, 1998.

Primary Examiner—Antoine Duval Davis
Attorney, Agent, or Firm—Saidman DesignLaw Group

[57] **CLAIM**

The ornamental design for a laser level, as shown and described.

DESCRIPTION

FIG. 1 is a top view of a laser level showing my new design;

FIG. 2 is a front view thereof;

FIG. 3 is a left side view thereof;

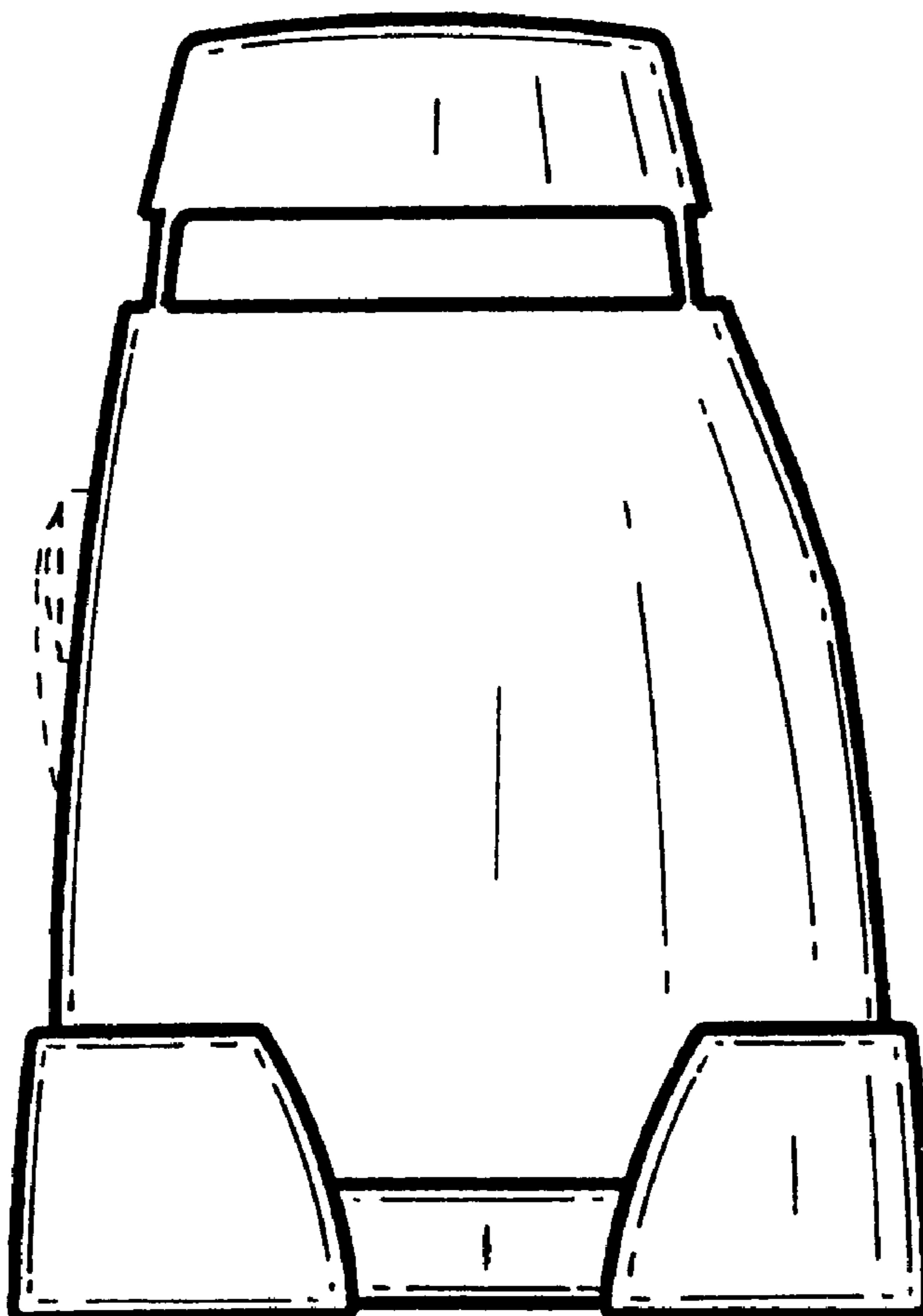
FIG. 4 is a rear view thereof;

FIG. 5 is a right side view thereof; and,

FIG. 6 is a bottom view thereof.

The broken lines shown in FIGS. 1-6 are environmental only and form no part of the claimed design.

1 Claim, 2 Drawing Sheets



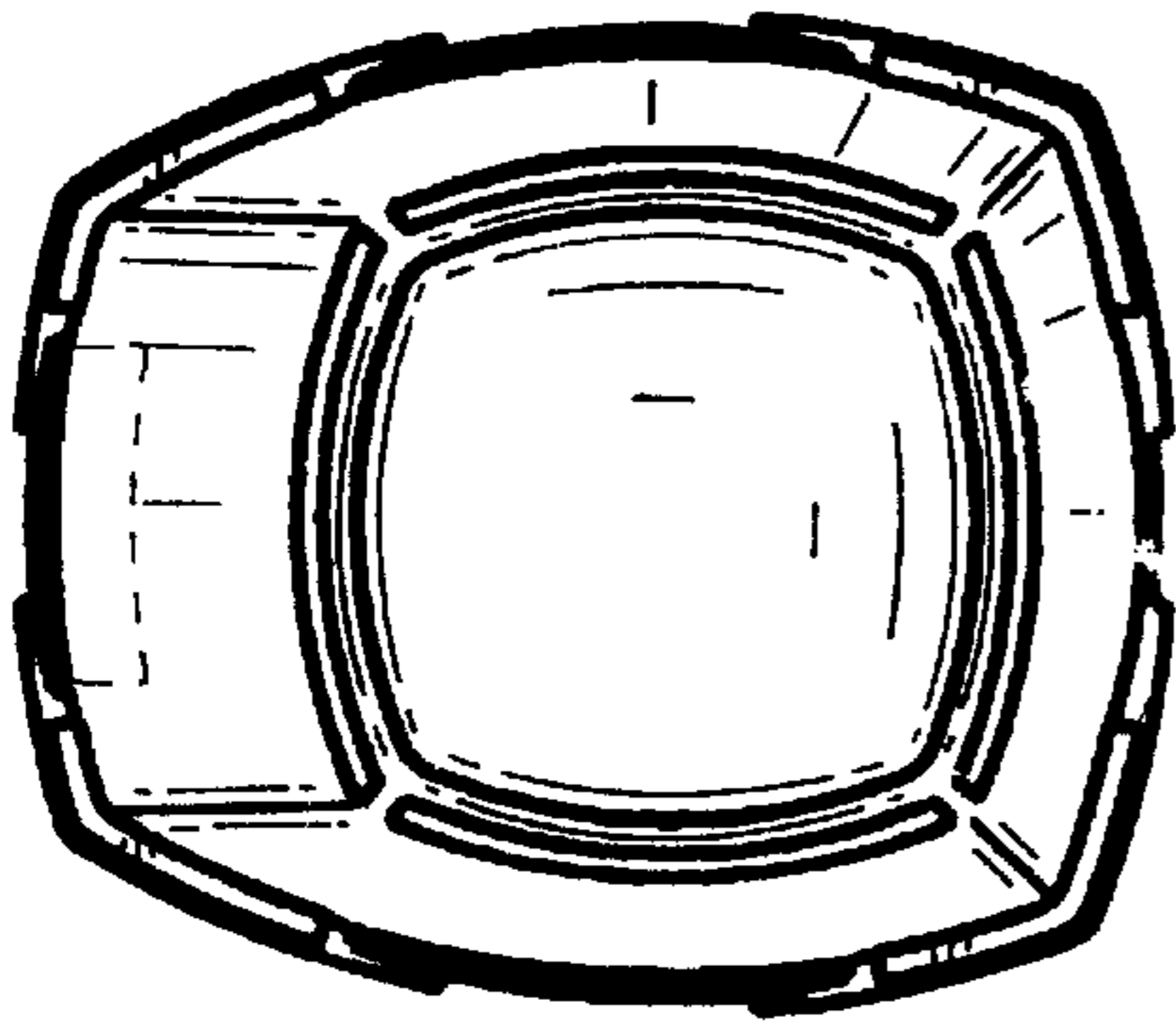


FIG. 1

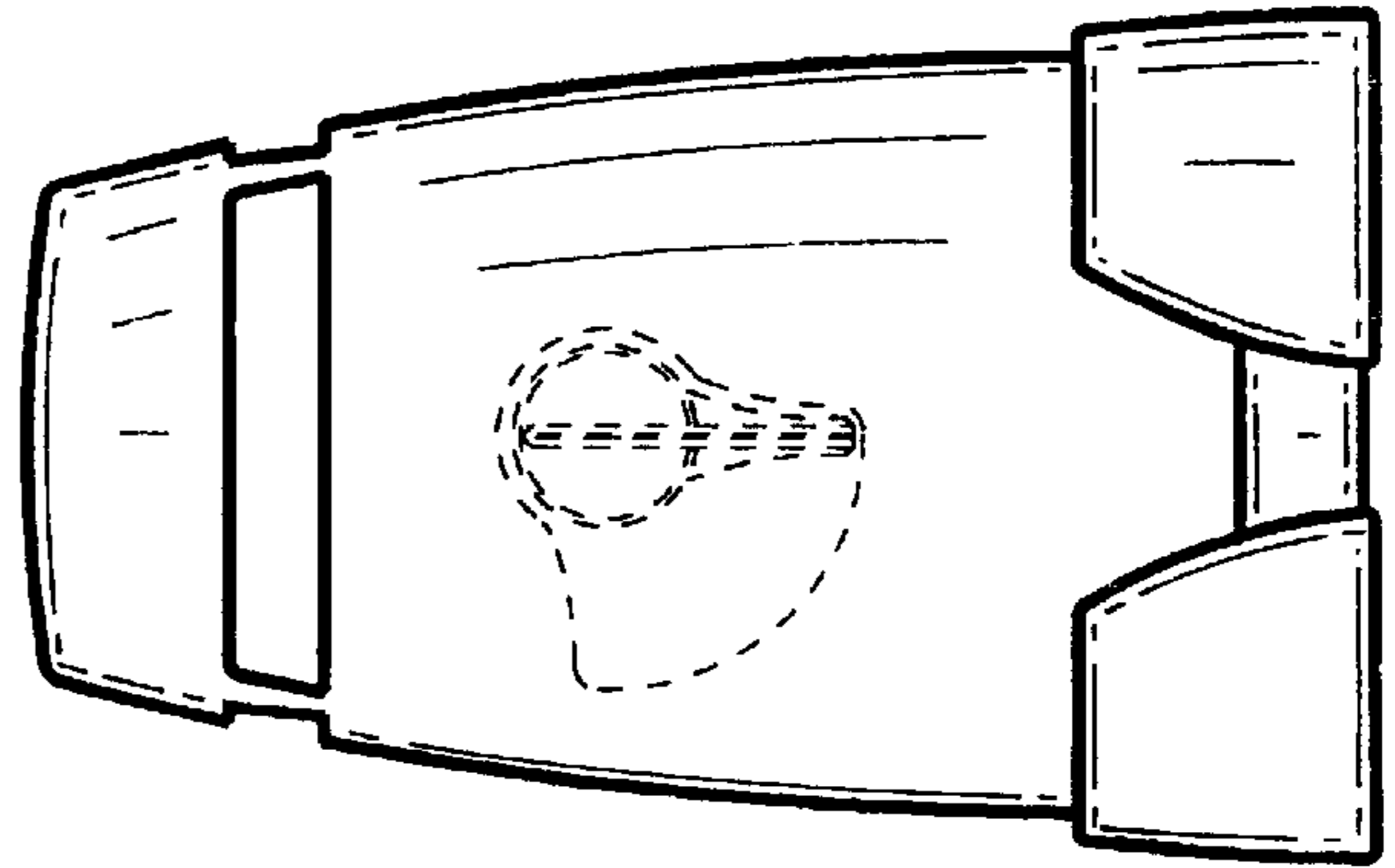


FIG. 2

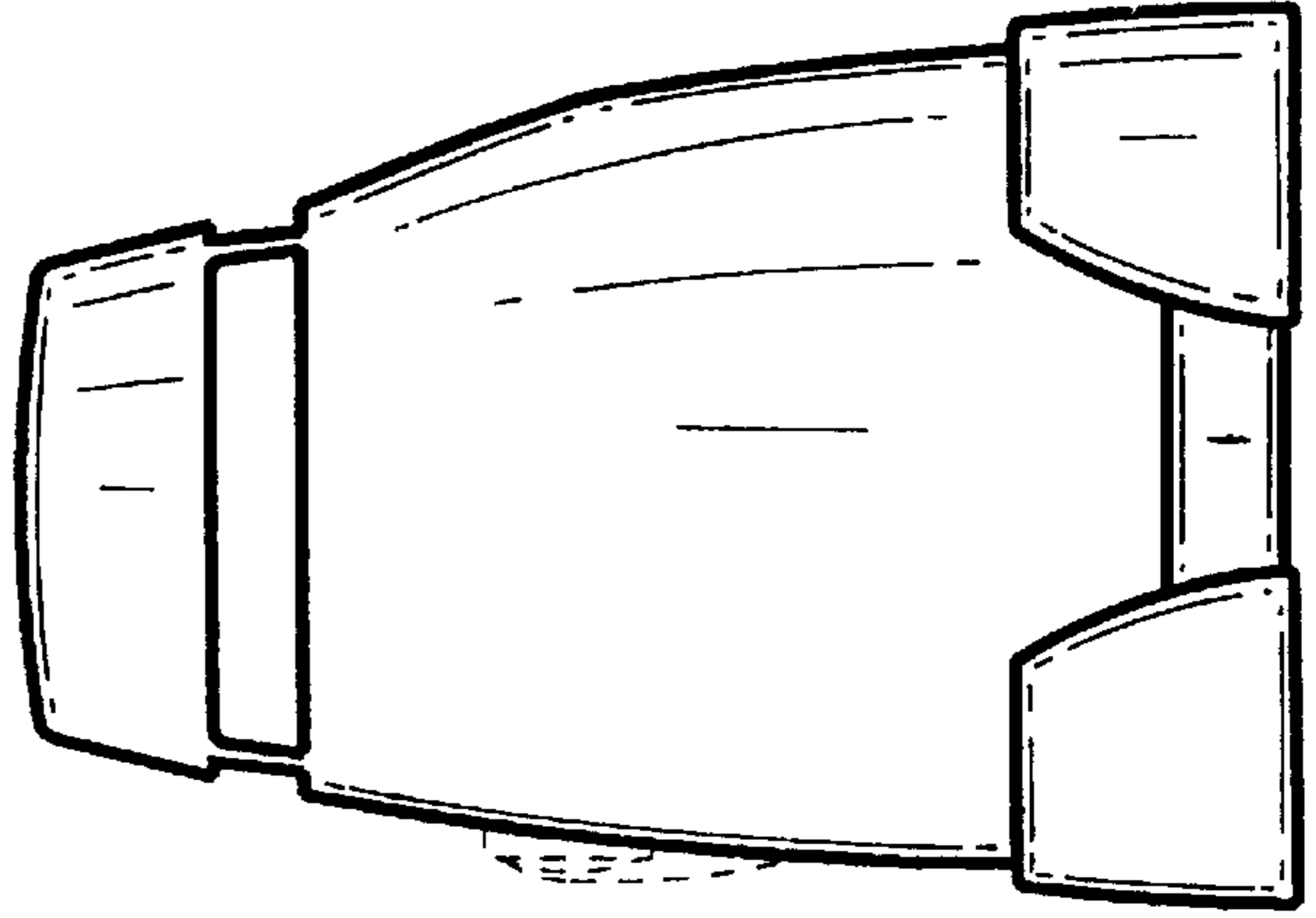


FIG. 3

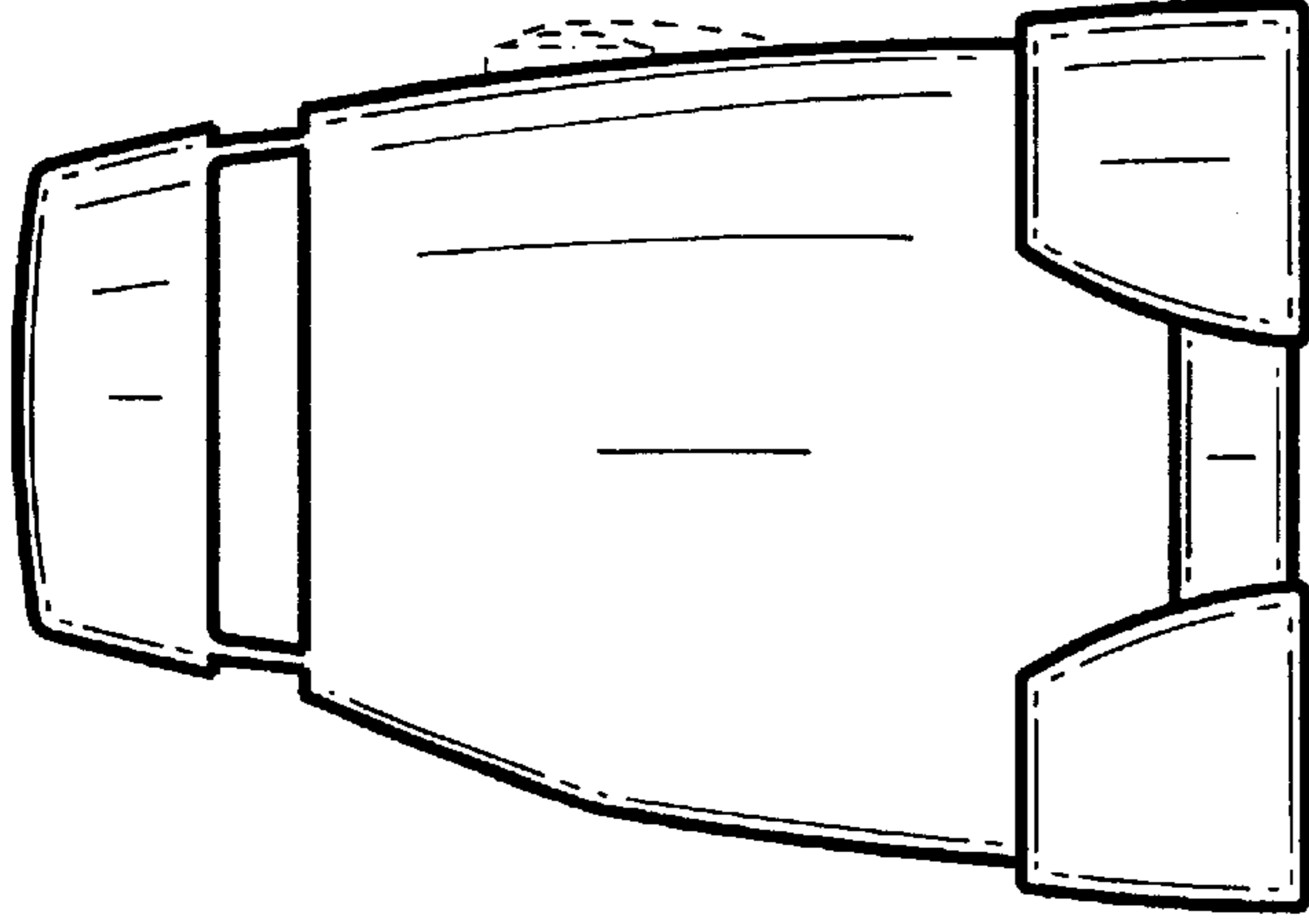


FIG. 5

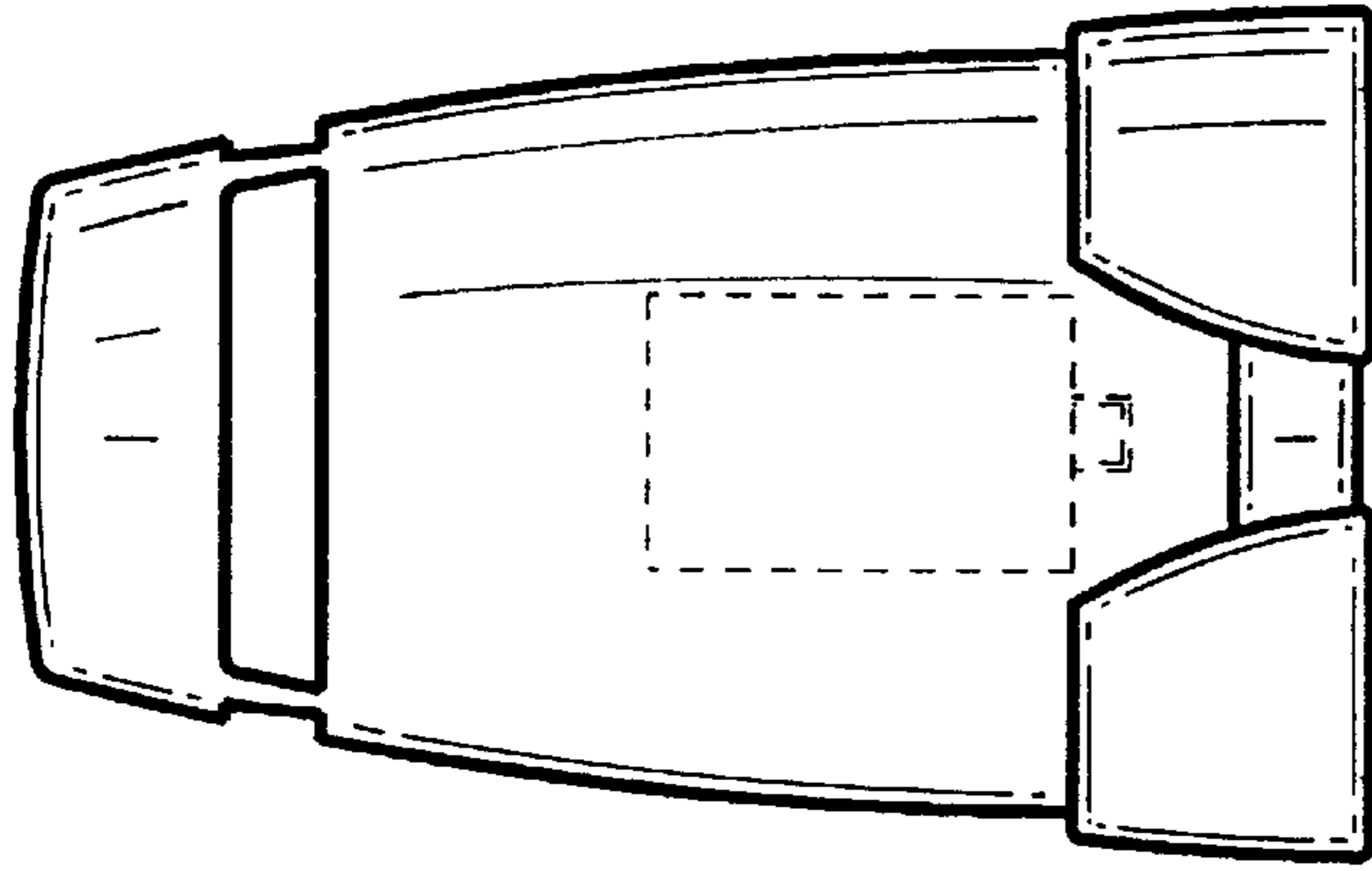


FIG. 4

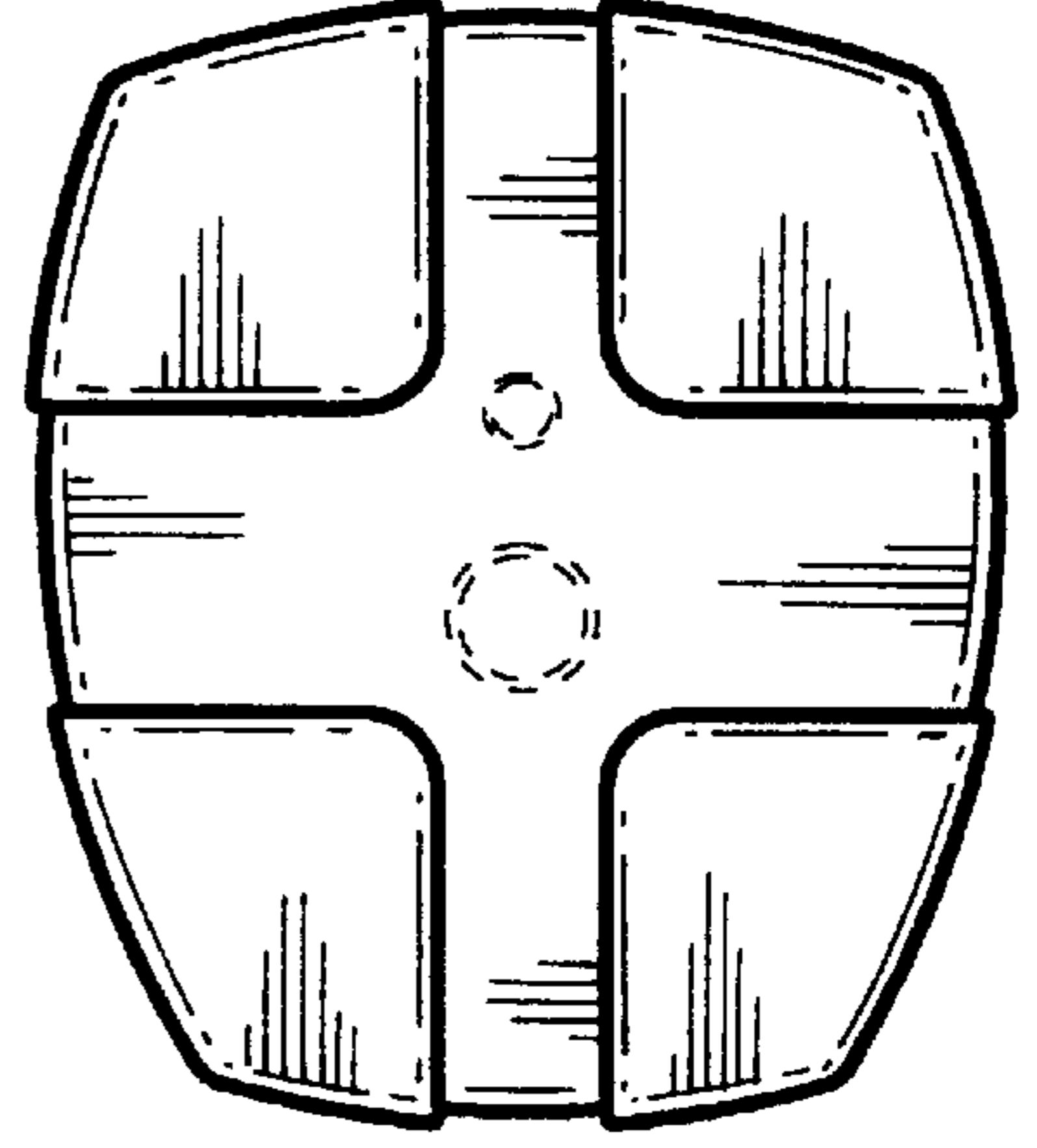


FIG. 6