



US00D418431S

**United States Patent** [19]  
**Niksich**

[11] **Patent Number: Des. 418,431**  
[45] **Date of Patent: \*\* Jan. 4, 2000**

[54] **ADJUSTABLE SCOREKEEPING APPARATUS FOR THE GAME OF TENNIS**

[76] Inventor: **Gene Niksich**, 840 McFarland Rd., Alpharetta, Ga. 30004

[\*\*] Term: **14 Years**

[21] Appl. No.: **29/105,389**

[22] Filed: **May 24, 1999**

[51] **LOC (7) Cl.** ..... **21-01**

[52] **U.S. Cl.** ..... **D10/46.1**

[58] **Field of Search** ..... D10/46.1, 46; D21/324, 799; 116/222-225, 279, 280, 200, DIG. 36; 235/90; 273/461, 317.4, DIG. 26; 40/606, 617, 618; 340/323 R; D3/254, 328

[56] **References Cited**

**U.S. PATENT DOCUMENTS**

D. 205,156	6/1966	Ford	.....	D10/46.1
D. 264,445	5/1982	Spivey	.....	D10/46.1
D. 300,435	3/1989	Harris et al.	.....	D10/46.1
D. 318,628	7/1991	Ralston	.....	D10/46.1
D. 342,457	12/1993	Morrison	.....	D10/46.1
3,220,127	11/1965	Wilson	.....	116/222 X
4,185,583	1/1980	Stamm	.....	273/DIG. 26 X
5,329,874	7/1994	Posey	.....	116/222
5,894,261	4/1999	Green	.....	273/DIG. 26 X

**OTHER PUBLICATIONS**

Gamma Sports, 2 pages, No Date Known.

*Primary Examiner*—Prabhakar Deshmukh  
*Attorney, Agent, or Firm*—Norman B. Rainer

[57] **CLAIM**

The ornamental design for an adjustable scorekeeping apparatus for the game of tennis, as shown and described.

**DESCRIPTION**

FIG. 1 is a front perspective view of an adjustable scorekeeping apparatus for the game of tennis showing my new design;

FIG. 2 is a front elevational view thereof; the rear elevational view being a mirror image thereof.

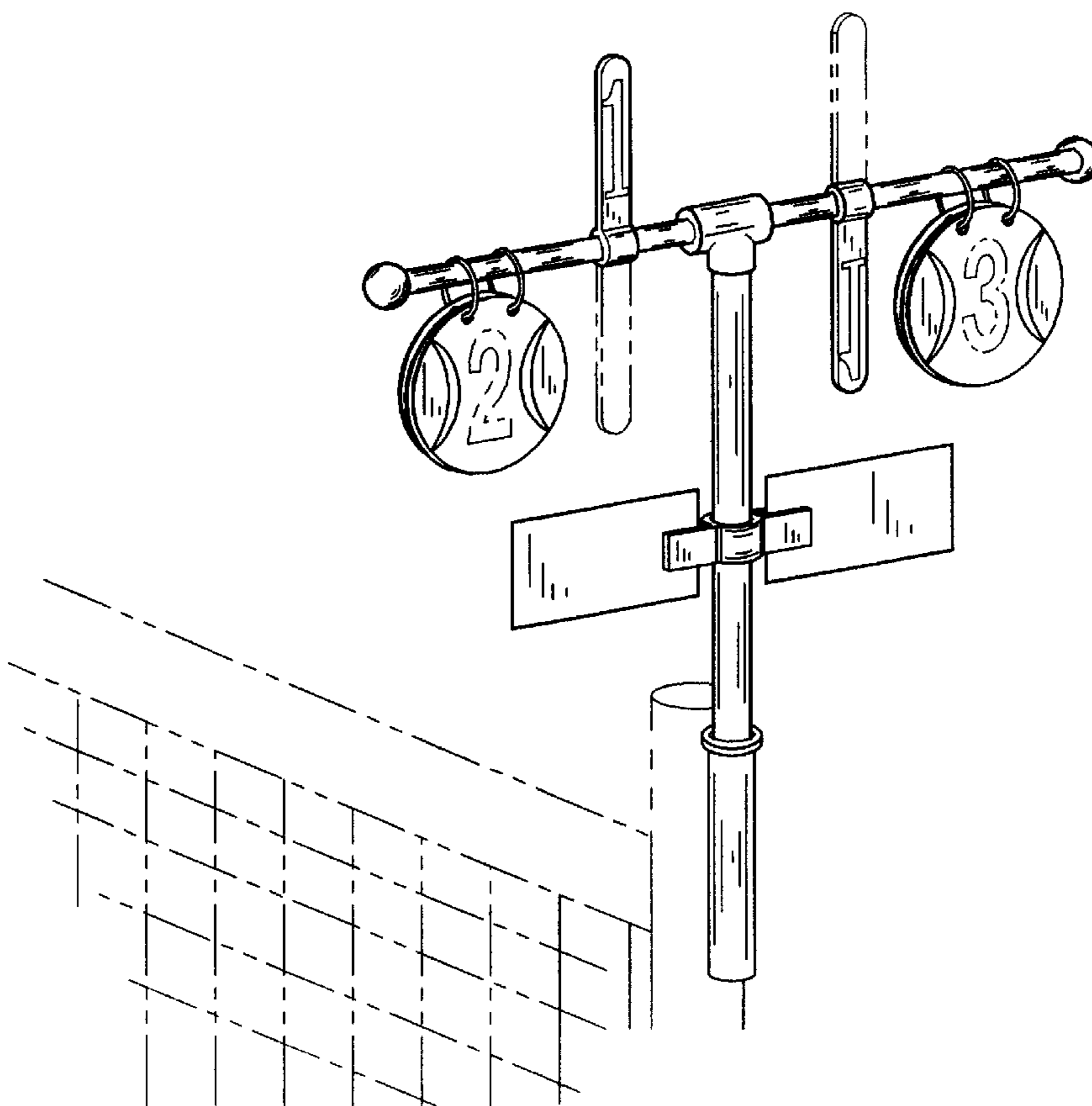
FIG. 3 is a top plan view thereof;

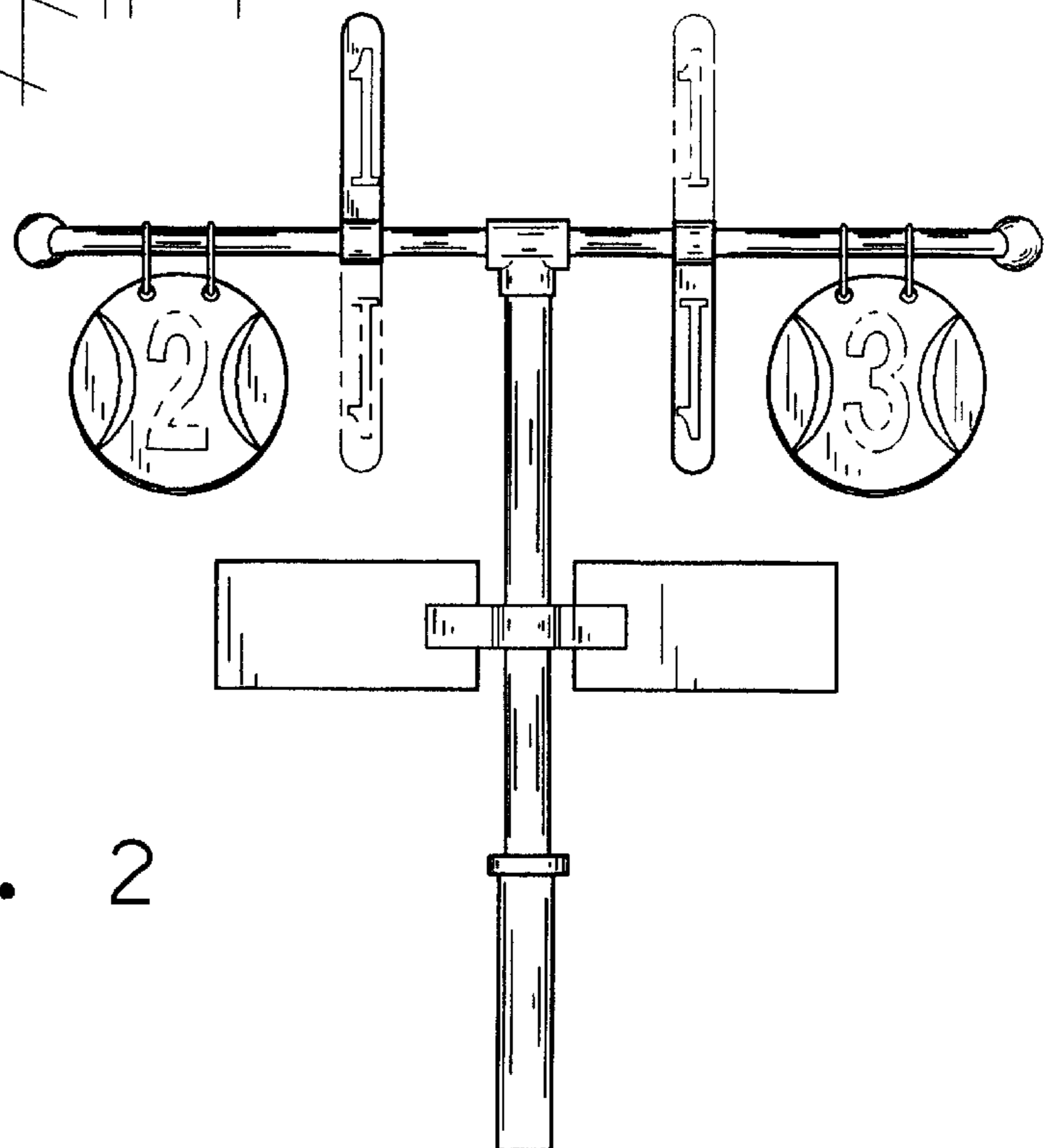
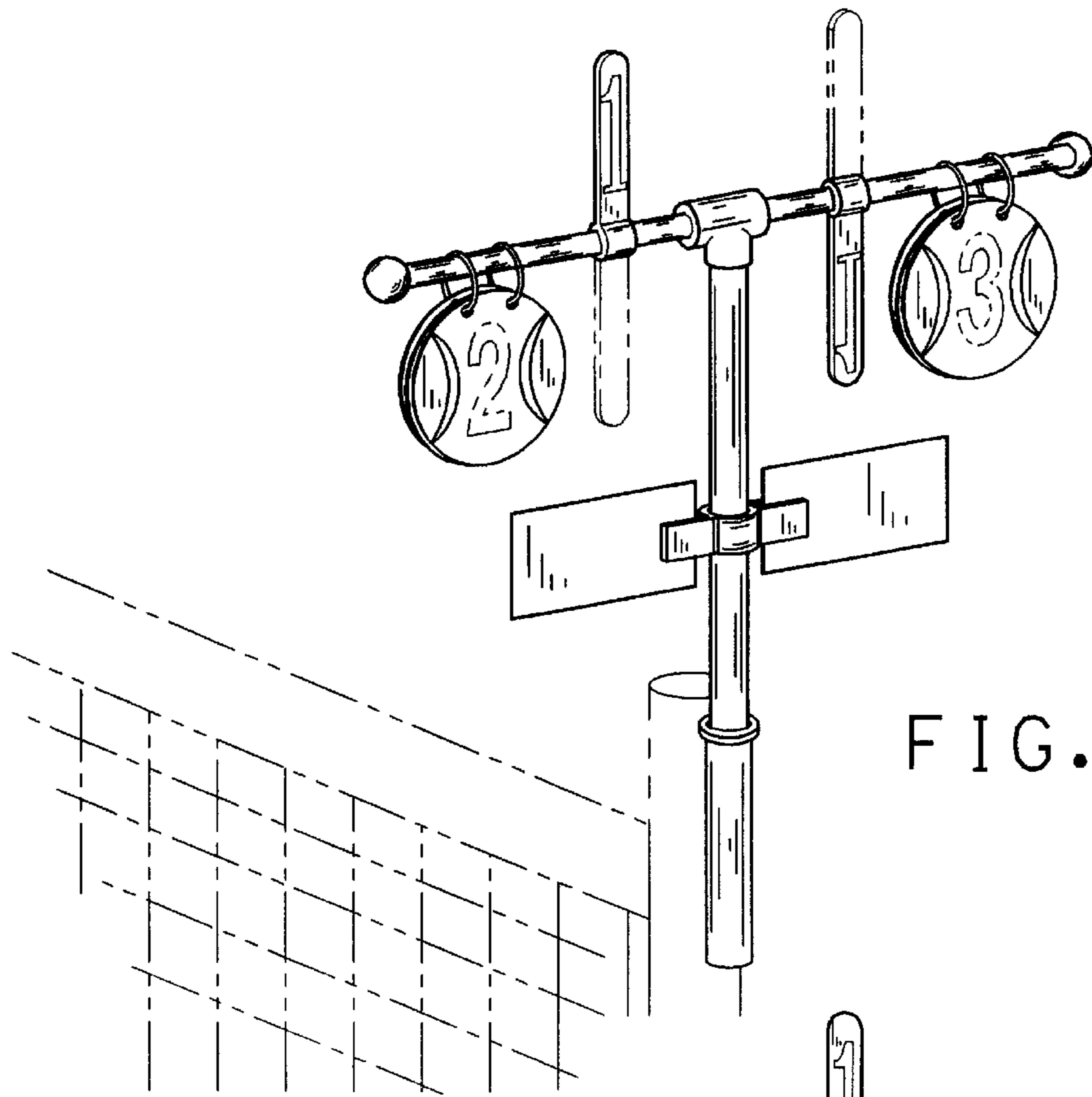
FIG. 4 is a left side elevational view thereof, the right side elevational view being a mirror image thereof; and,

FIG. 5 is a an exploded enlarged scale fragmentary perspective view of the bottom attachment of a flag.

The components shown in broken lines in FIGS. 1 and 2 indicate the alternate position of said components. The broken line showing of a net with attachment and printed indicia is for illustrative purpose only and forms no part of the claimed design. The bottom, not shown, is declaimed.

**1 Claim, 2 Drawing Sheets**





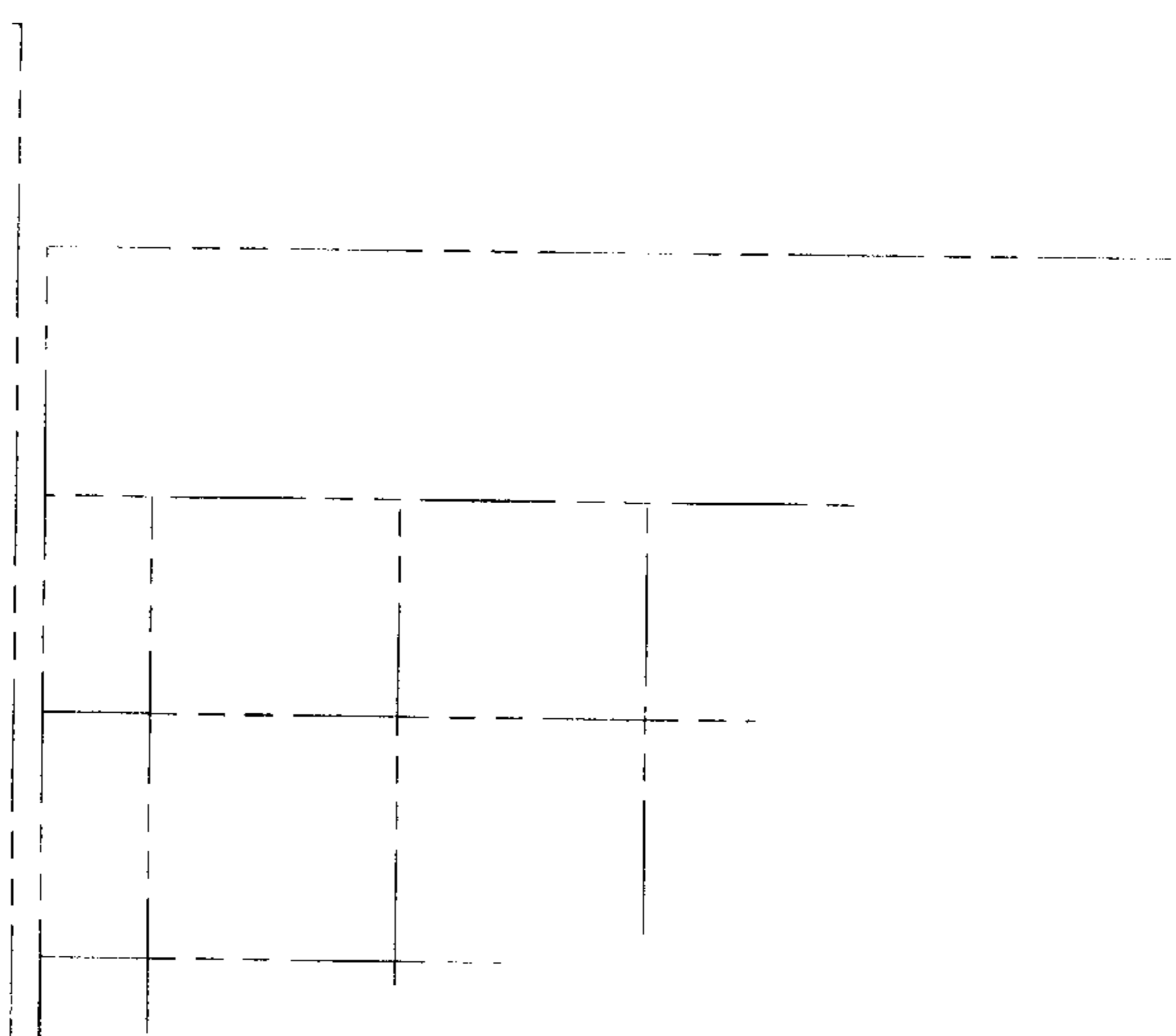


FIG. 4

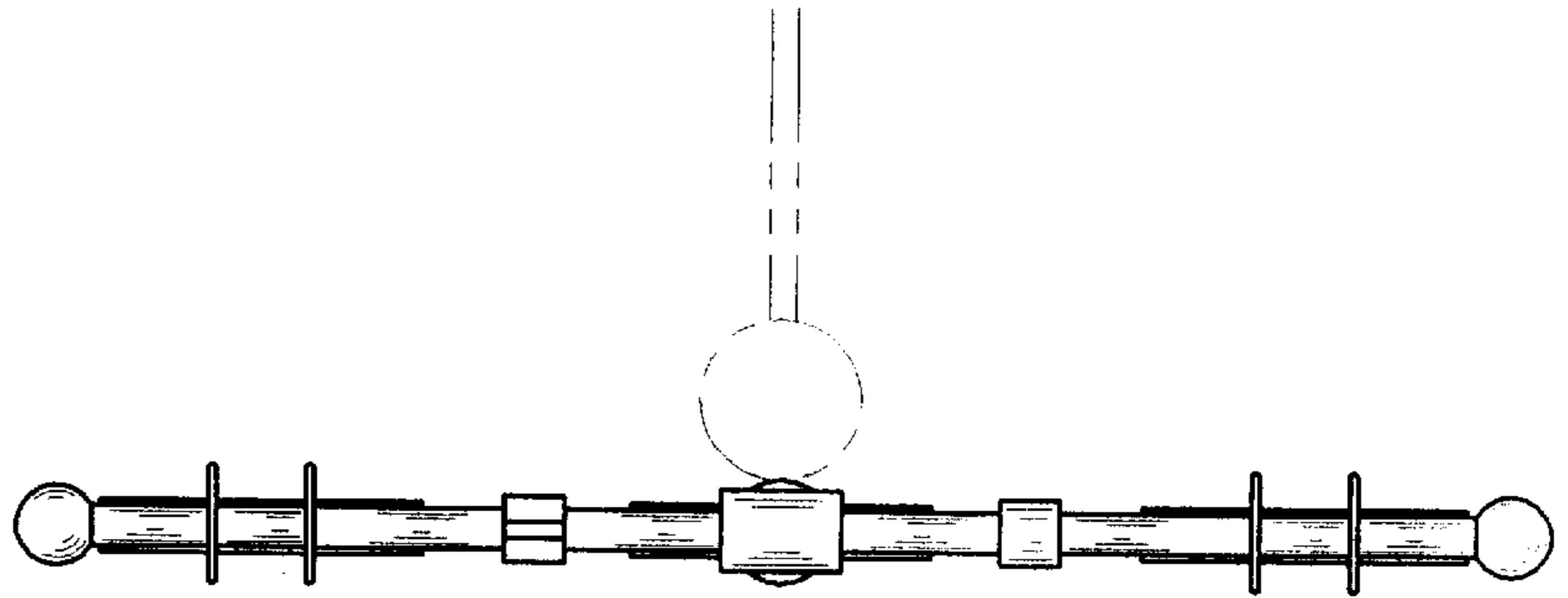


FIG. 3

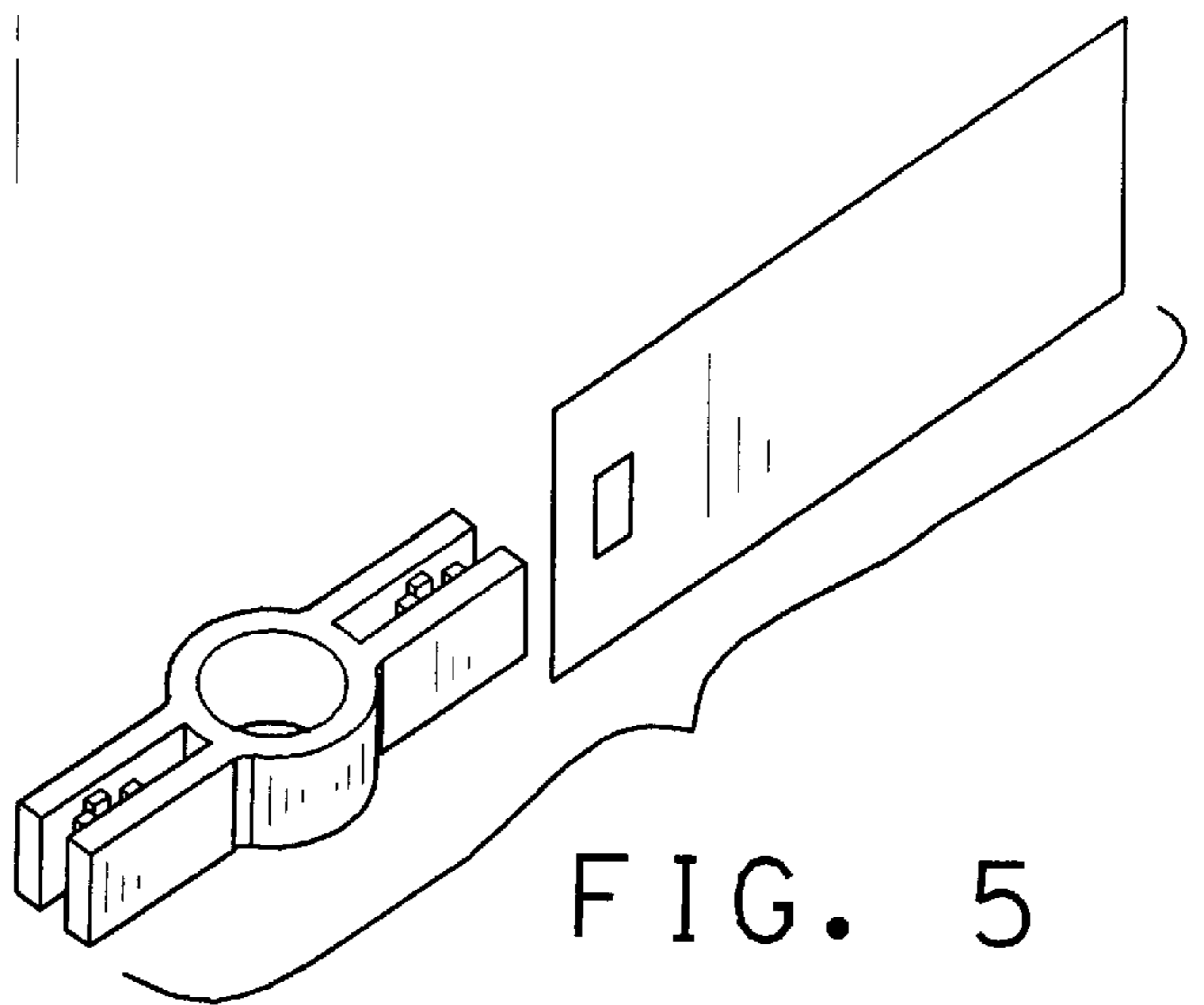


FIG. 5