



US00D418428S

United States Patent [19] Kojima

[11] **Patent Number: Des. 418,428**
[45] **Date of Patent: ** Jan. 4, 2000**

[54] **WATCH CASE**
[75] **Inventor: Kazuyasu Kojima, Tachikawa, Japan**
[73] **Assignee: Casio Keisanki Kabushiki Kaisha, Tokyo, Japan**
[**] **Term: 14 Years**
[21] **Appl. No.: 29/106,348**
[22] **Filed: Jun. 14, 1999**
[51] **LOC (7) Cl. 10-02**
[52] **U.S. Cl. D10/30; D10/38**
[58] **Field of Search D10/1-40, 122-132; 368/280-282, 276-277, 28-30, 285, 239-242, 82-84, 41-44**

D. 404,658 1/1999 Hanagata D10/30
D. 404,660 1/1999 Iwamoto et al. D10/30
D. 407,328 3/1999 Moriai et al. D10/30
D. 407,333 3/1999 Akagi D10/30
D. 413,817 9/1999 Ando et al. D10/31

Primary Examiner—Nelson C. Holtje
Attorney, Agent, or Firm—Frishauf, Holtz, Goodman, Langer & Chick, P.C.

[57] CLAIM

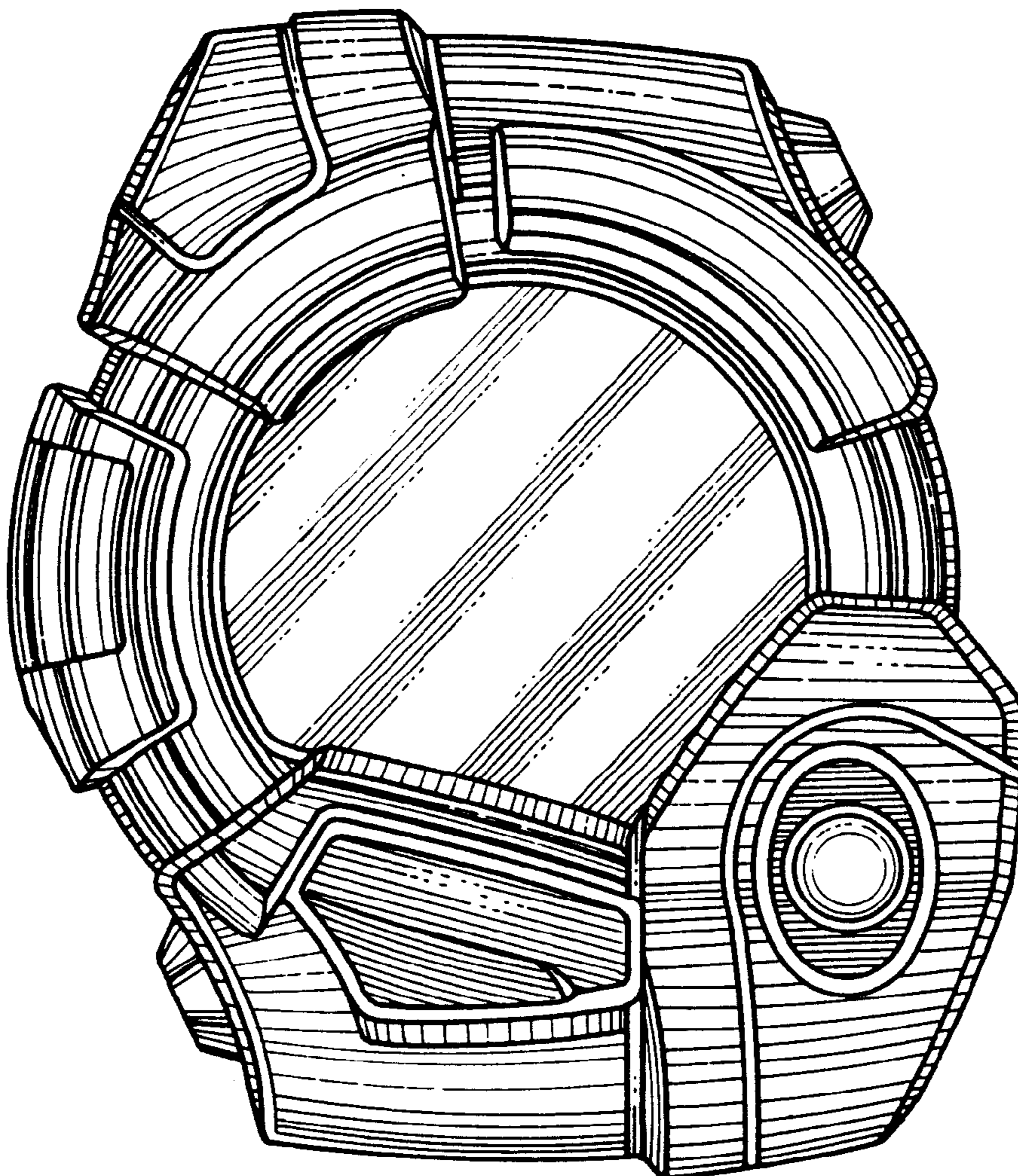
The ornamental design for watch case, as shown.

DESCRIPTION

FIG. 1 is a front elevational view of watch case showing my new design;
FIG. 2 is a right side elevational view thereof;
FIG. 3 is a left side elevational view thereof;
FIG. 4 is a top plan view thereof;
FIG. 5 is a bottom plan view thereof;
FIG. 6 is a rear elevational view thereof; and,
FIG. 7 is a perspective view thereof.

[56] **References Cited**
U.S. PATENT DOCUMENTS
D. 312,215 11/1990 Houlihan D10/30
D. 359,000 6/1995 Yamamoto D10/31

1 Claim, 3 Drawing Sheets



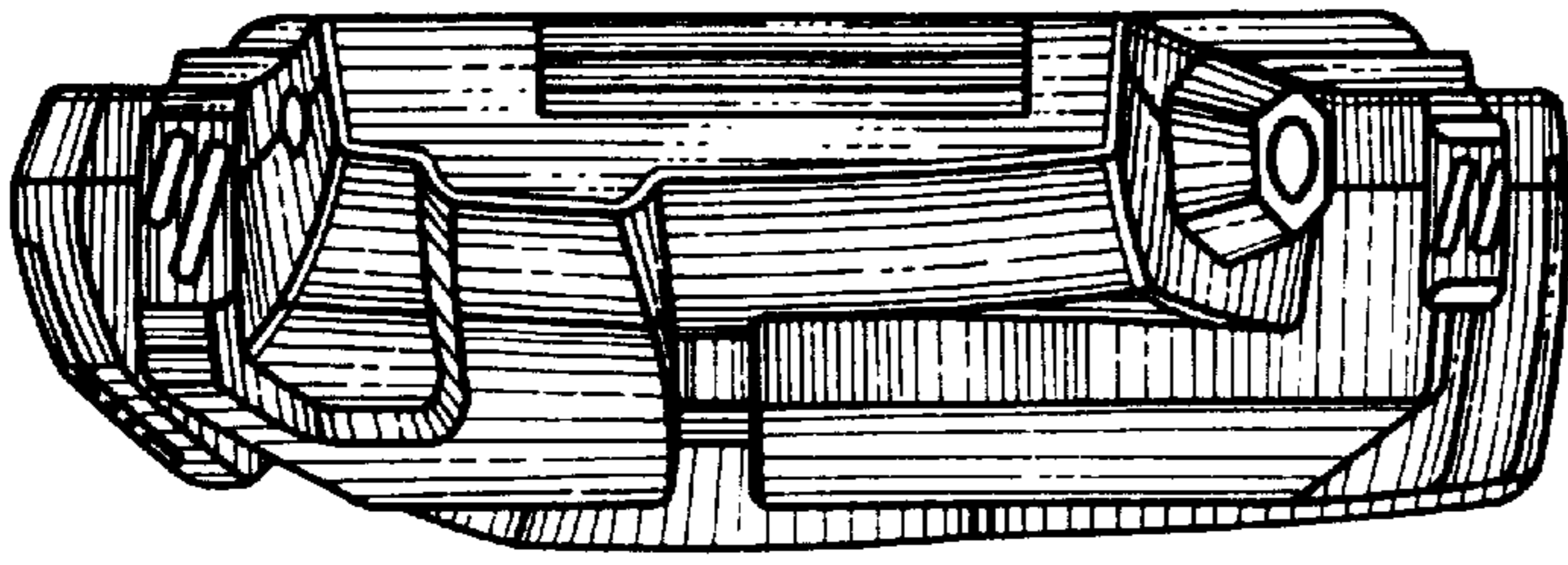


FIG. 4

FIG. 1

FIG. 2

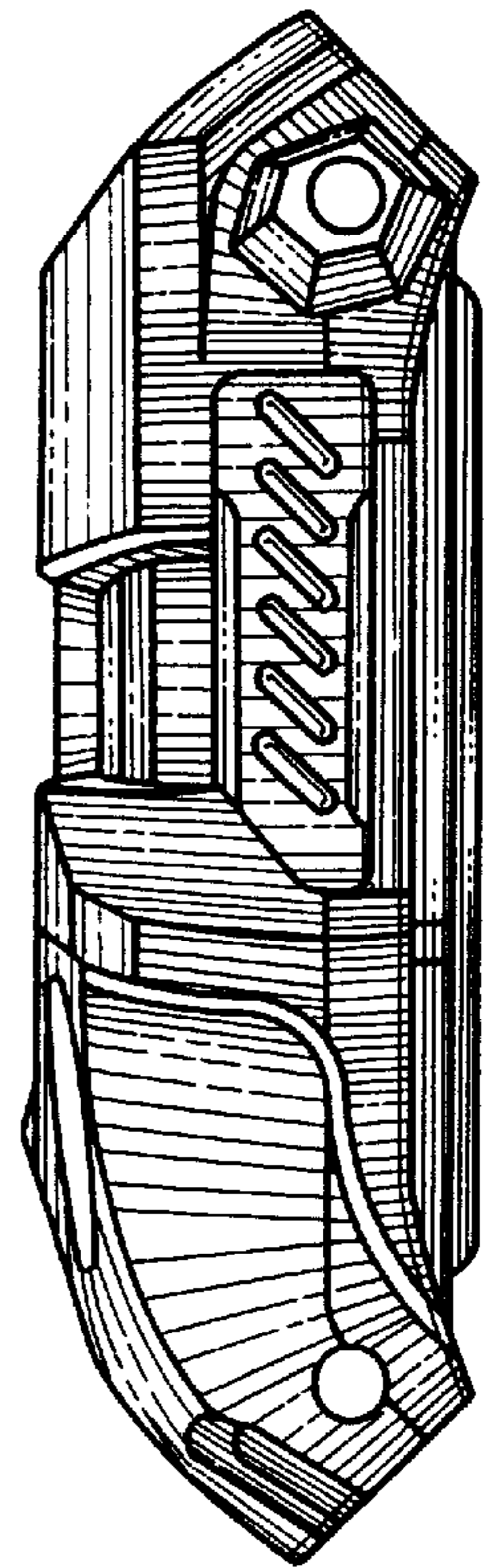
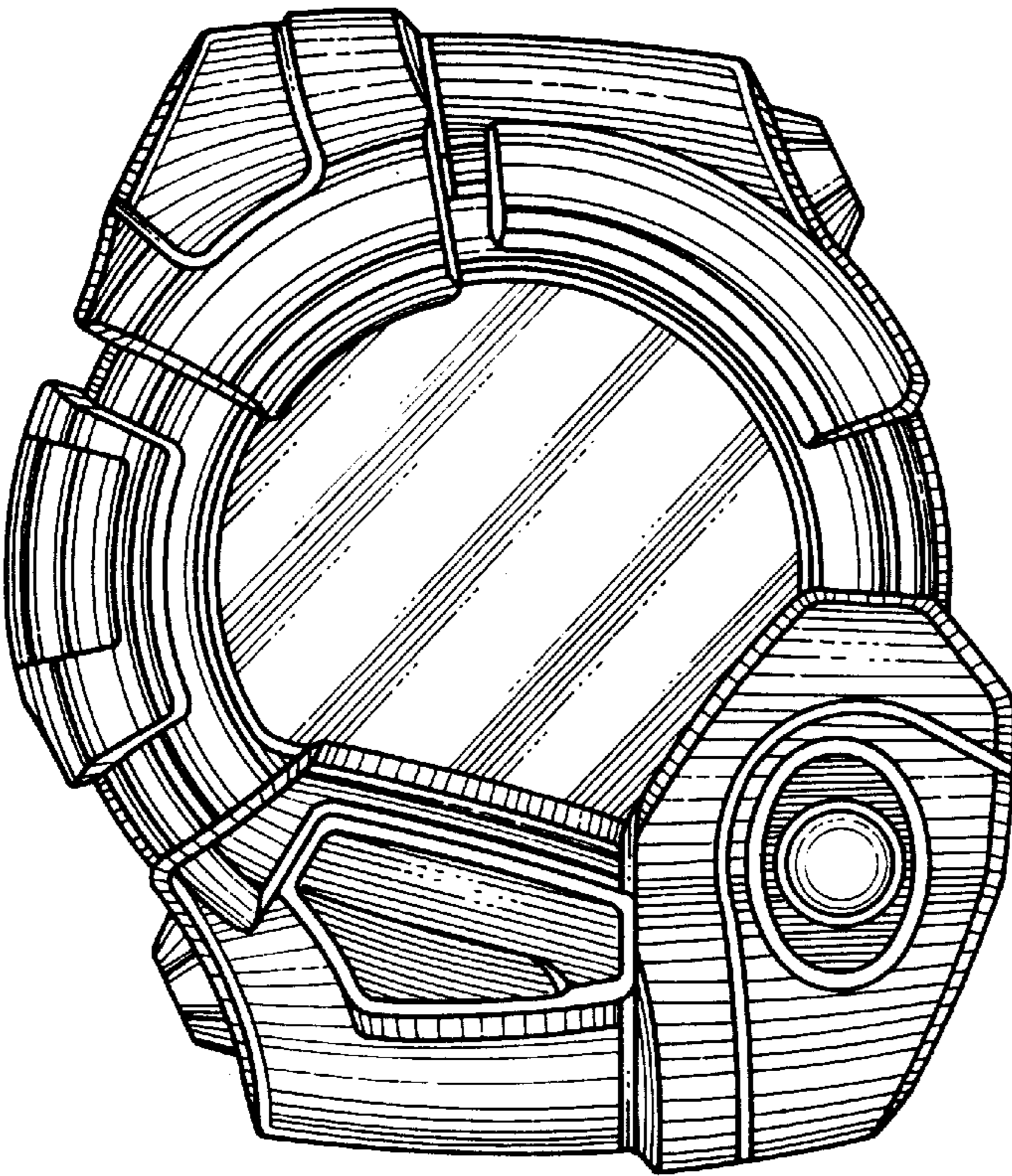
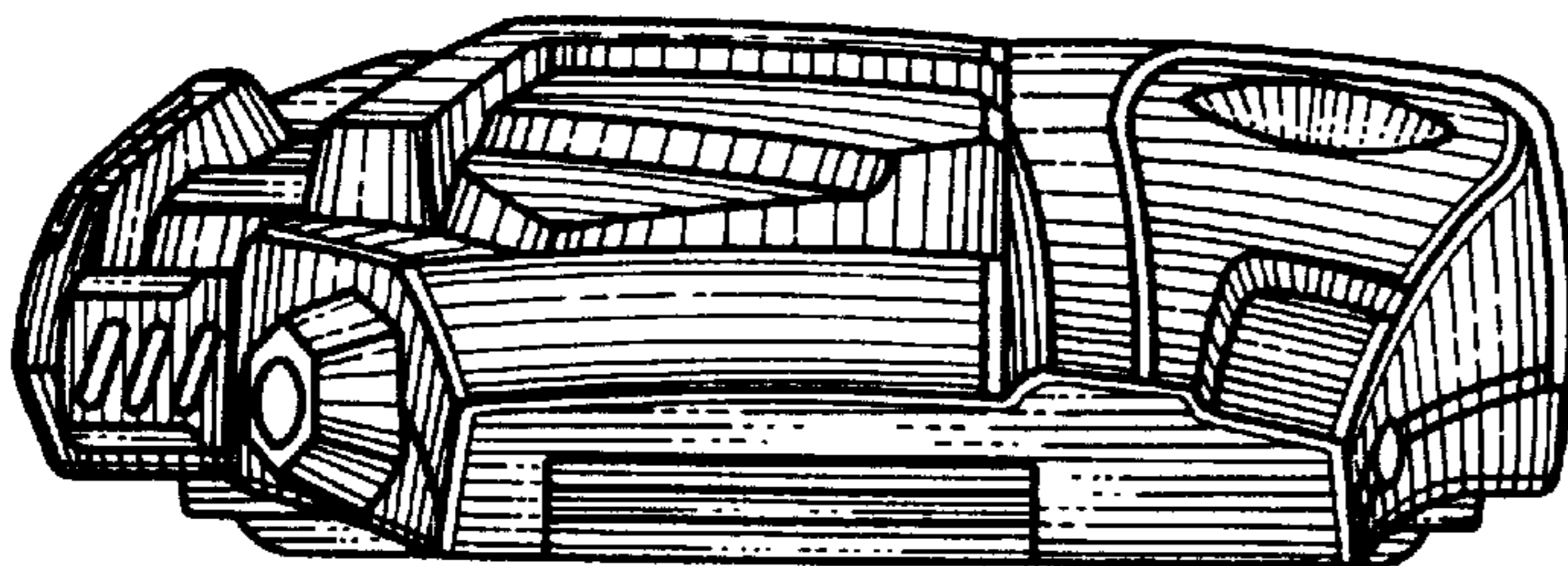


FIG. 5



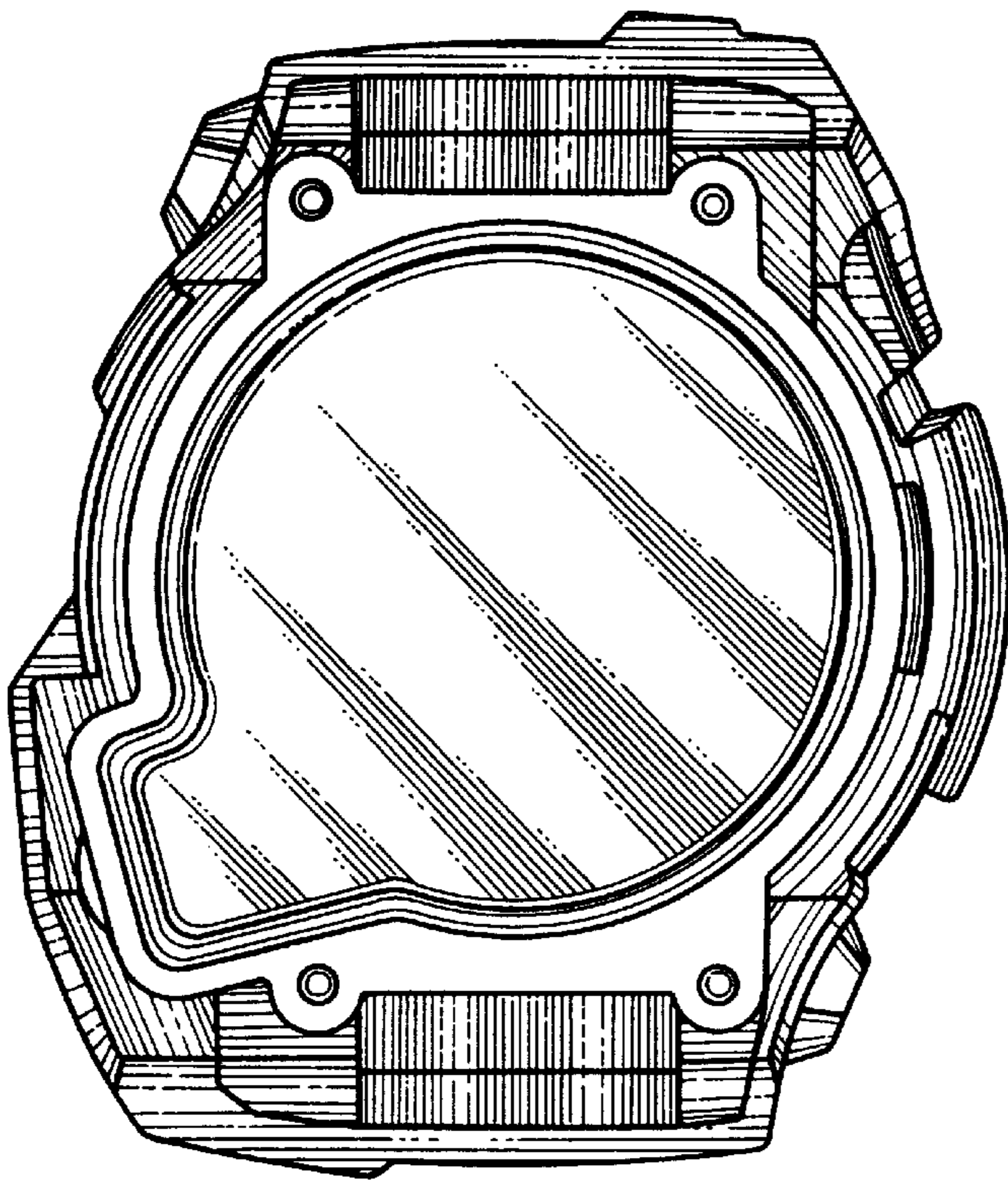


FIG. 6

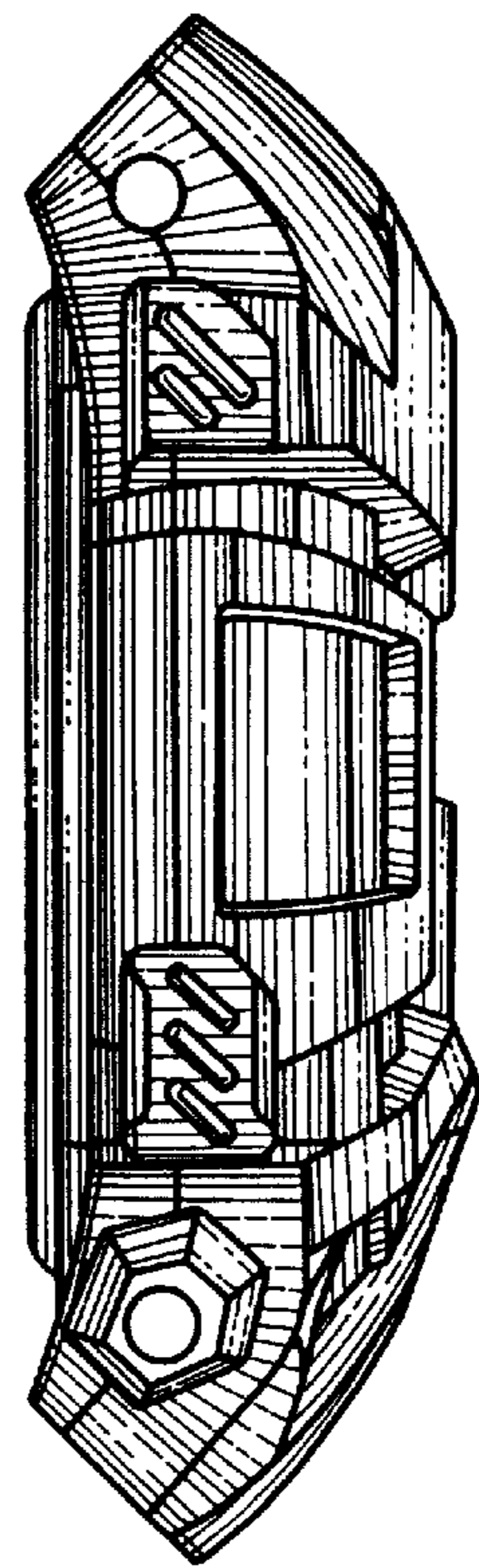


FIG. 3

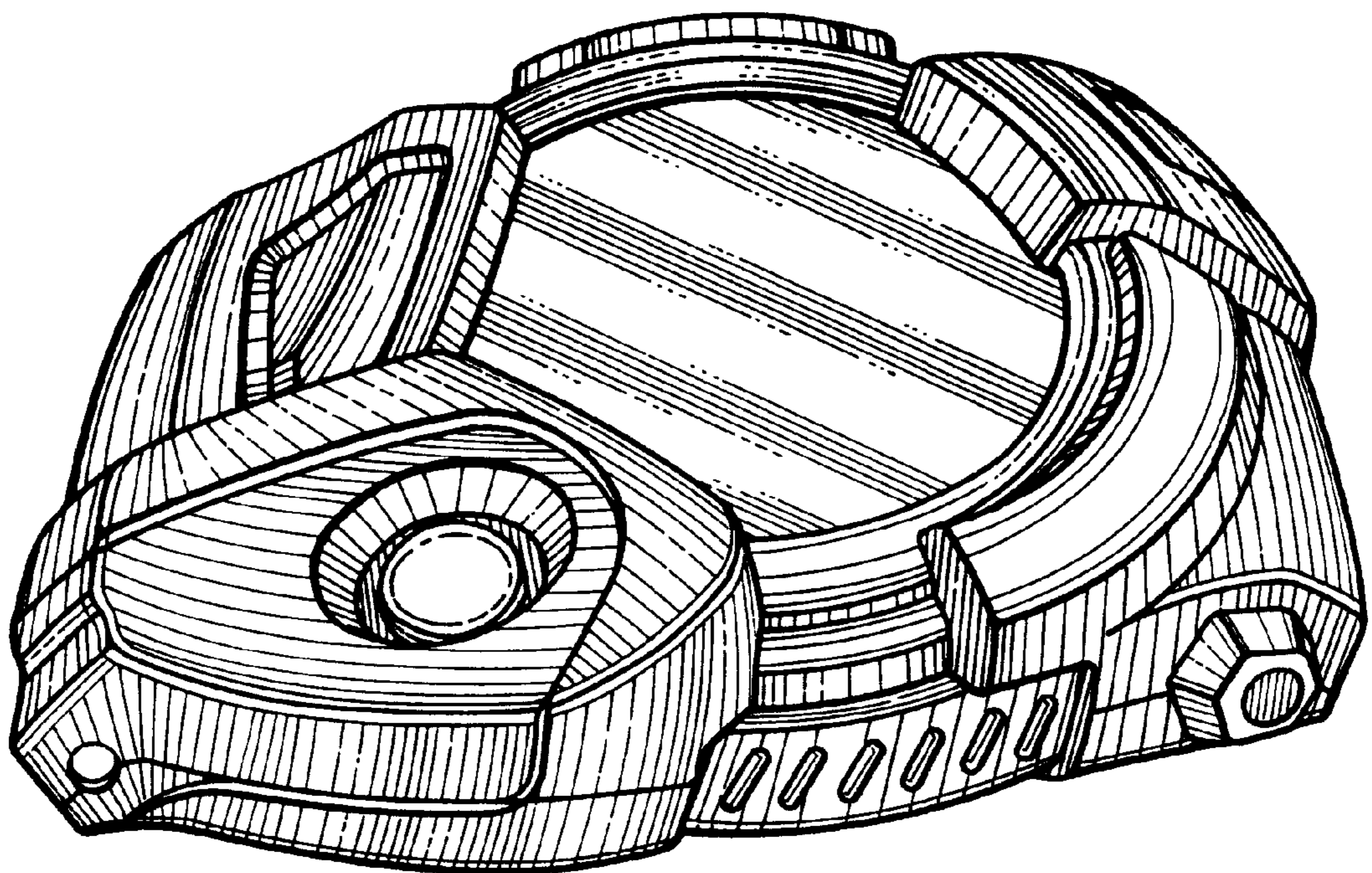


FIG. 7