



US00D418416S

United States Patent [19]
Ficalora

[11] **Patent Number: Des. 418,416**
[45] **Date of Patent: ** Jan. 4, 2000**

[54] **PERFUME CAP**

[75] Inventor: **Patricia Ficalora**, Brooklyn, N.Y.

[73] Assignee: **Estee Lauder Inc.**, New York, N.Y.

[**] Term: **14 Years**

[21] Appl. No.: **29/091,774**

[22] Filed: **Aug. 5, 1998**

[51] **LOC (7) Cl.** **09-07**

[52] **U.S. Cl.** **D9/439**

[58] **Field of Search** D9/434, 435, 439,
D9/440, 544, 545; D8/307, 317; 16/111 R,
112; 215/355, 356; 220/602

[56] **References Cited**

U.S. PATENT DOCUMENTS

D. 204,220	3/1966	Aleks	D8/307
D. 230,698	3/1974	Gentry	D8/307
D. 381,905	8/1997	Chahed	D9/435
3,023,868	3/1962	Koffler	16/111 R
3,122,774	3/1964	Lamb	16/111 R X

OTHER PUBLICATIONS

Beauty Fashion, p. 59, Anne Klein perfume bottle stopper, Apr. 1985.

Beauty Fashion, p. 87, Flora Danica perfume bottle stopper, Jun. 1982.

HEWI Catalogue, item No. 550.40.2010R—90 bends, p. 101.11a, Jan. 1982.

Primary Examiner—Cathron B. Matta
Attorney, Agent, or Firm—Fulbright & Jaworski, LLP

[57] **CLAIM**

The ornamental design for a perfume cap, as shown and described.

DESCRIPTION

FIG. 1 is a perspective view of the design for a perfume cap according to the invention;

FIG. 2 is a top plan view of the design according to the invention;

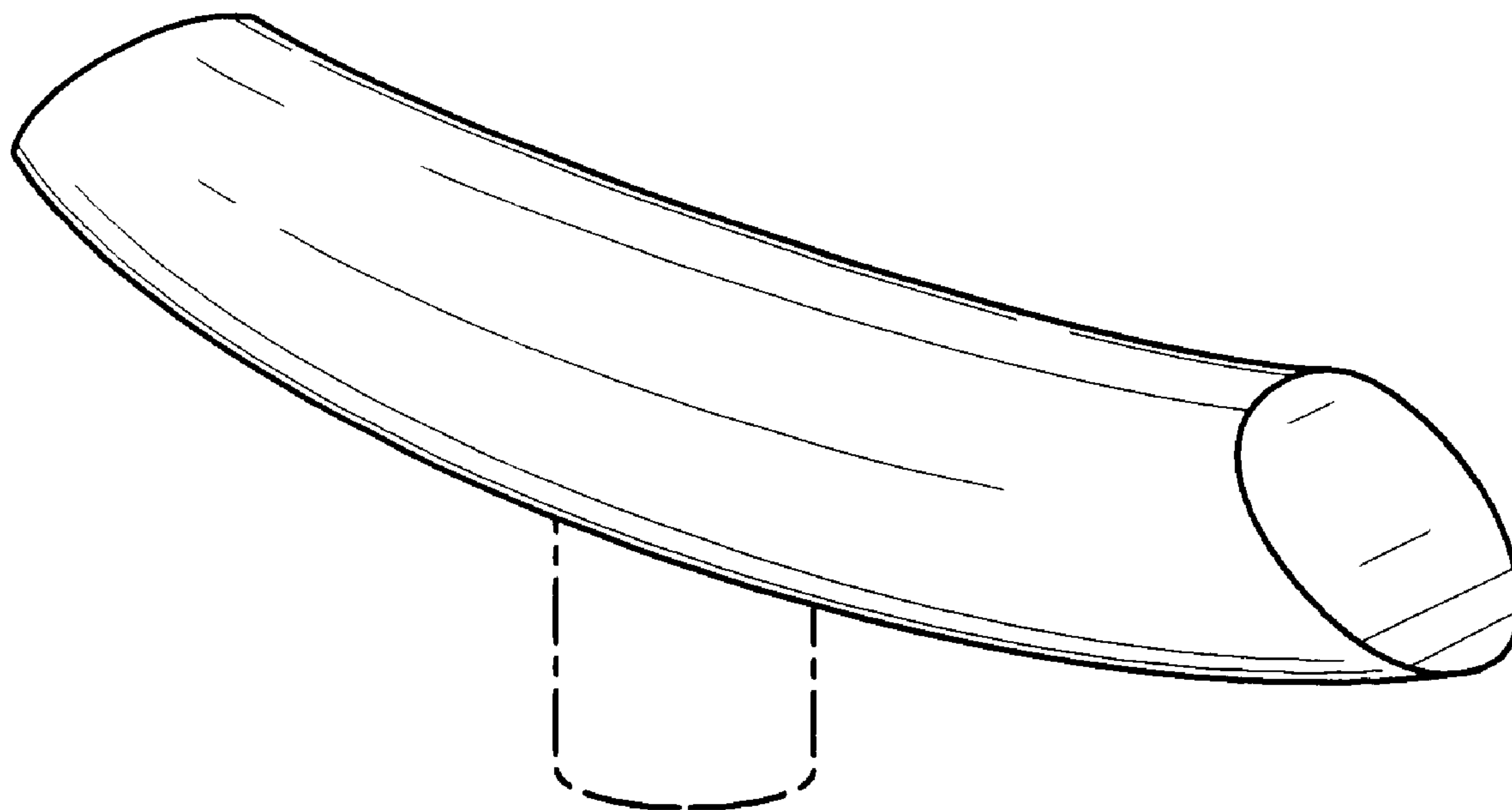
FIG. 3 is an underside view of the design according to the invention;

FIG. 4 is a side elevational view; the opposite side elevational view is the same; and,

FIG. 5 is a front elevational view; the rear elevational view is the same.

The broken lines shown in the drawings depicting environmental structure are for illustrative purposes only and form no part of the claimed design.

1 Claim, 3 Drawing Sheets



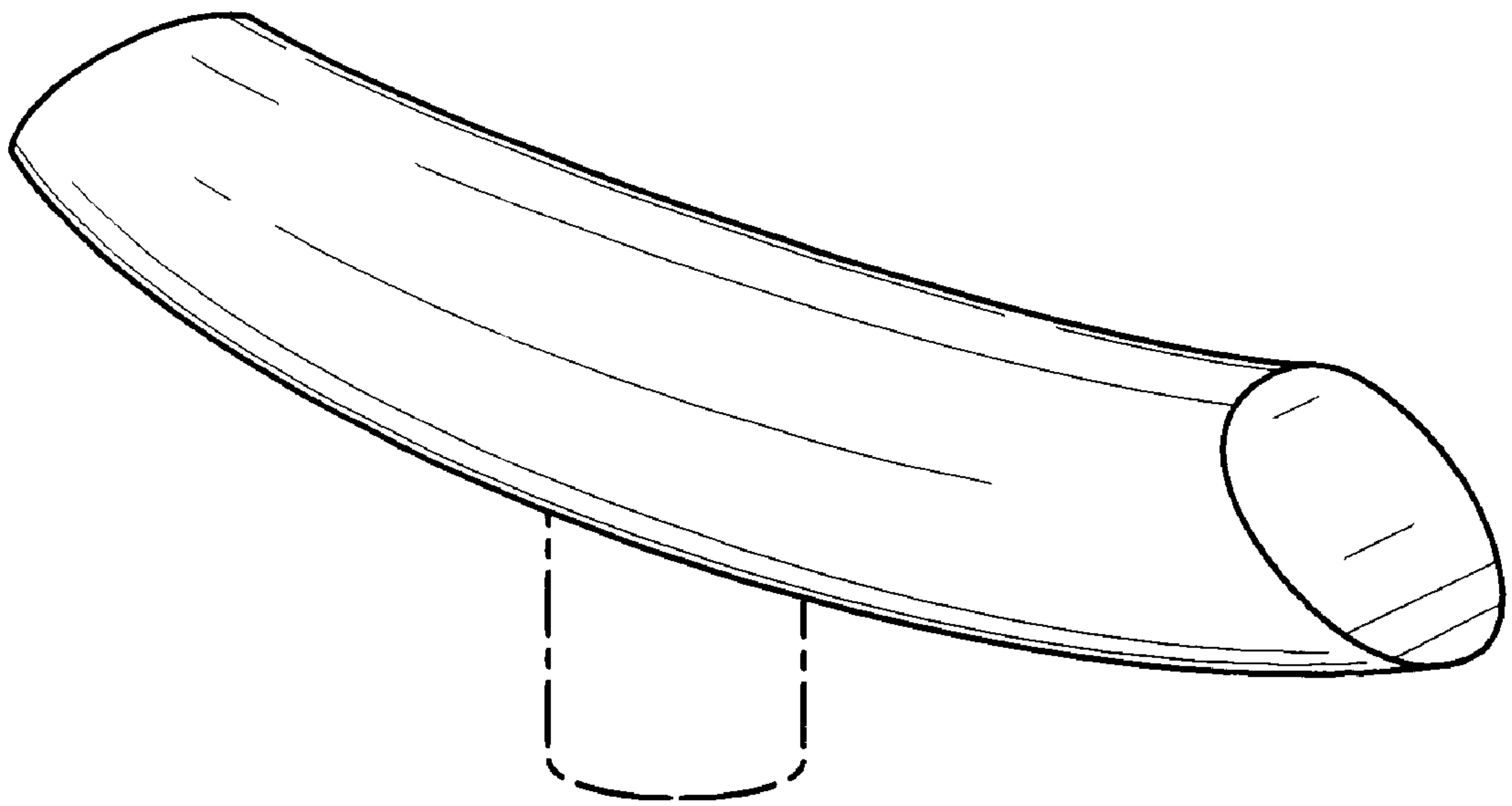


FIG. 1

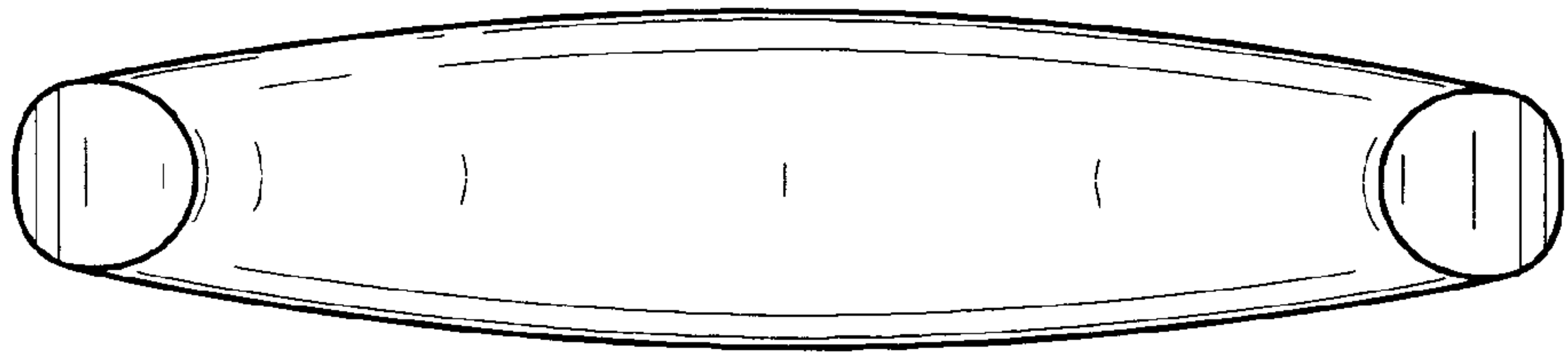


FIG. 2

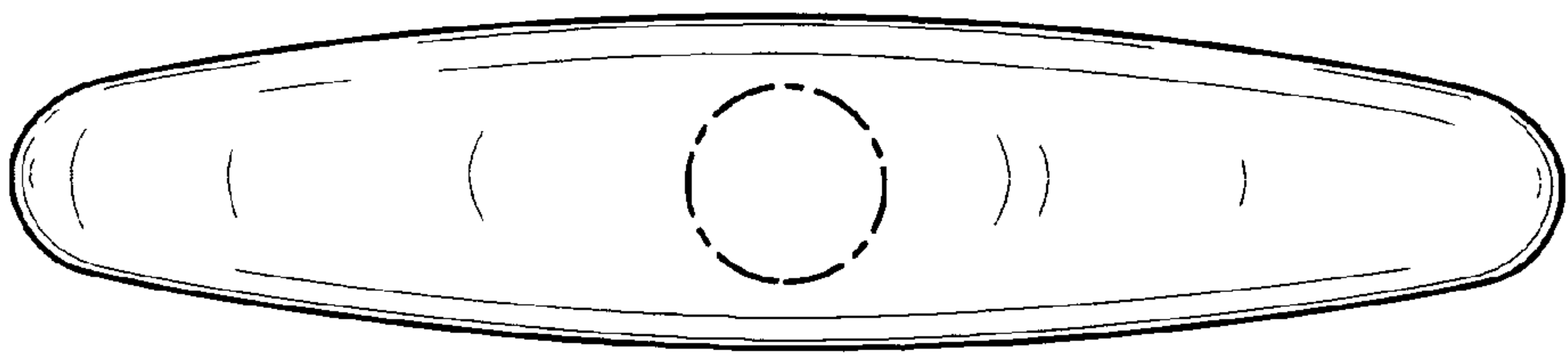


FIG. 3

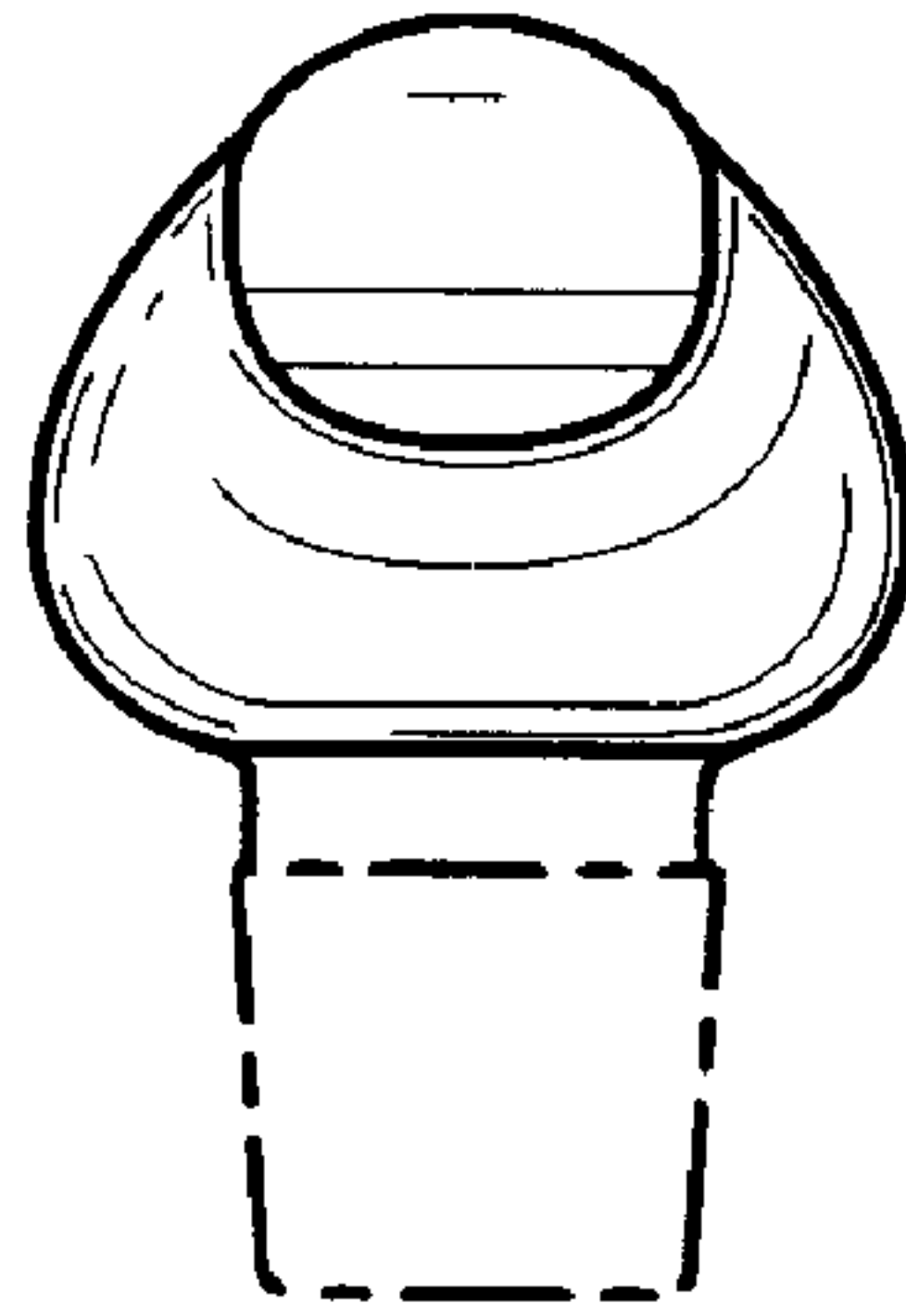


FIG. 4

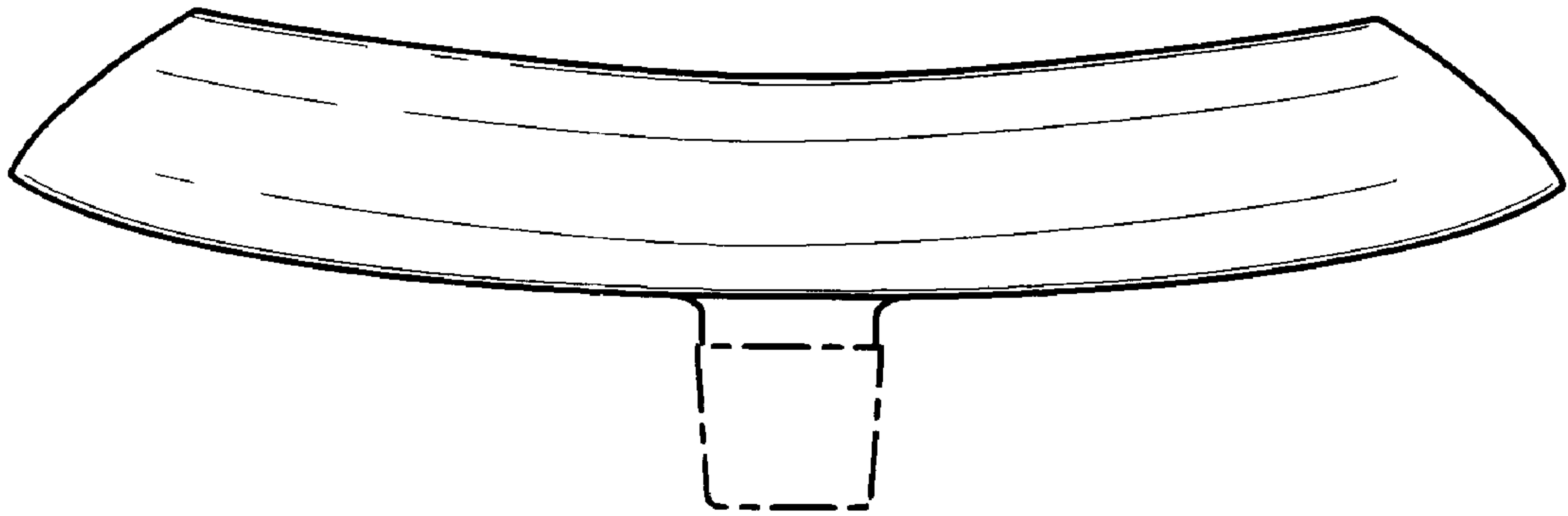


FIG. 5