



US00D418413S

United States Patent [19]

Stern

[11] **Patent Number: Des. 418,413**

[45] **Date of Patent: ** Jan. 4, 2000**

[54] CONNECTION MEMBER FOR PLASTIC PACKINGS

[75] Inventor: **Leif Einar Stern**, Strandvägen, Sweden

[73] Assignee: **ASEPT International AB**, Lund, Sweden

[**] Term: **14 Years**

[21] Appl. No.: **29/086,732**

[22] Filed: **Mar. 25, 1998**

[30] Foreign Application Priority Data

Sep. 29, 1997 [SE] Sweden 97-2137

[51] **LOC (7) Cl.** **09-07**

[52] **U.S. Cl.** **D9/434**

[58] **Field of Search** D9/434, 435, 436, D9/437, 455, 499; D8/382, 383, 396; 141/330, 346, 369, 370; 222/81, 89

[56] References Cited

U.S. PATENT DOCUMENTS

D. 270,568	9/1983	Armstrong	D9/437	X
D. 317,104	5/1991	Lyon	D9/434	X
4,314,654	2/1982	Gaubert	.		
4,603,793	8/1986	Stern	.		
4,846,236	7/1989	Deruntz	222/81	X
5,042,690	8/1991	O'Meara	.		
5,280,764	1/1994	Levinrad	141/330	
5,729,949	3/1998	Hartzheim	221/307	X

FOREIGN PATENT DOCUMENTS

0162417	11/1985	European Pat. Off.	.
0229493	7/1987	European Pat. Off.	.
1104359	2/1968	United Kingdom	.
81/01992	7/1981	WIPO	.
9200895	1/1992	WIPO	.

Primary Examiner—Doris V. Coles
Assistant Examiner—Cathron B. Matta
Attorney, Agent, or Firm—Tarolli, Sundheim, Covell, Tummino & Szabo

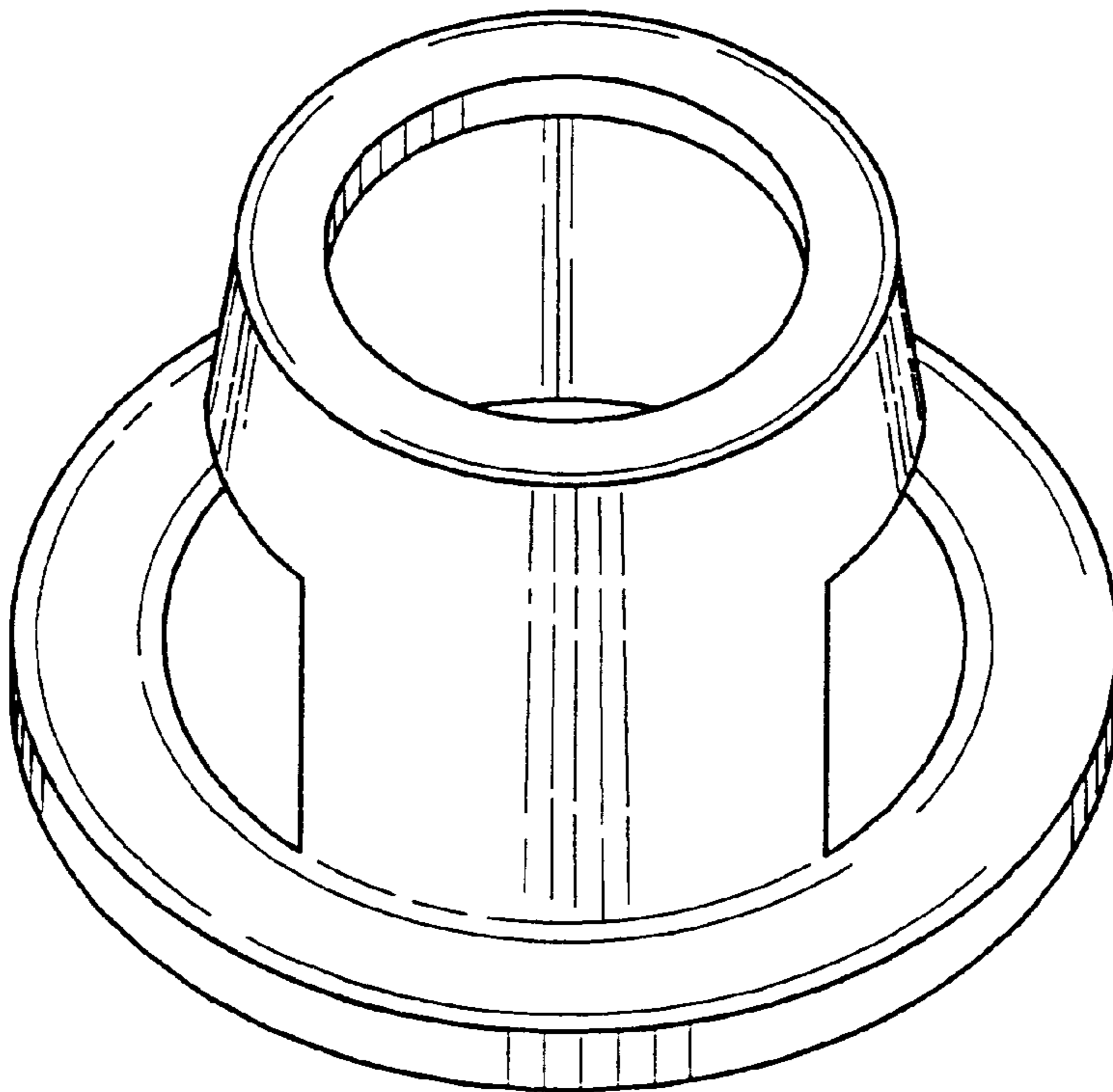
[57] CLAIM

The ornamental design for a connection member for plastic packings, as shown and described.

DESCRIPTION

FIG. 1 is a perspective view of the connection member for plastic packings;
FIG. 2 is a right side elevational view of the connection member for plastic packings;
FIG. 3 is a left side elevational view of the connection member for plastic packings;
FIG. 4 is a front elevational view of the connection member for plastic packings;
FIG. 5 is a rear elevational view of the connection member for plastic packings;
FIG. 6 is a top plan view of the connection member for plastic packings; and,
FIG. 7 is a bottom plan view of the connection member for plastic packings.

1 Claim, 7 Drawing Sheets



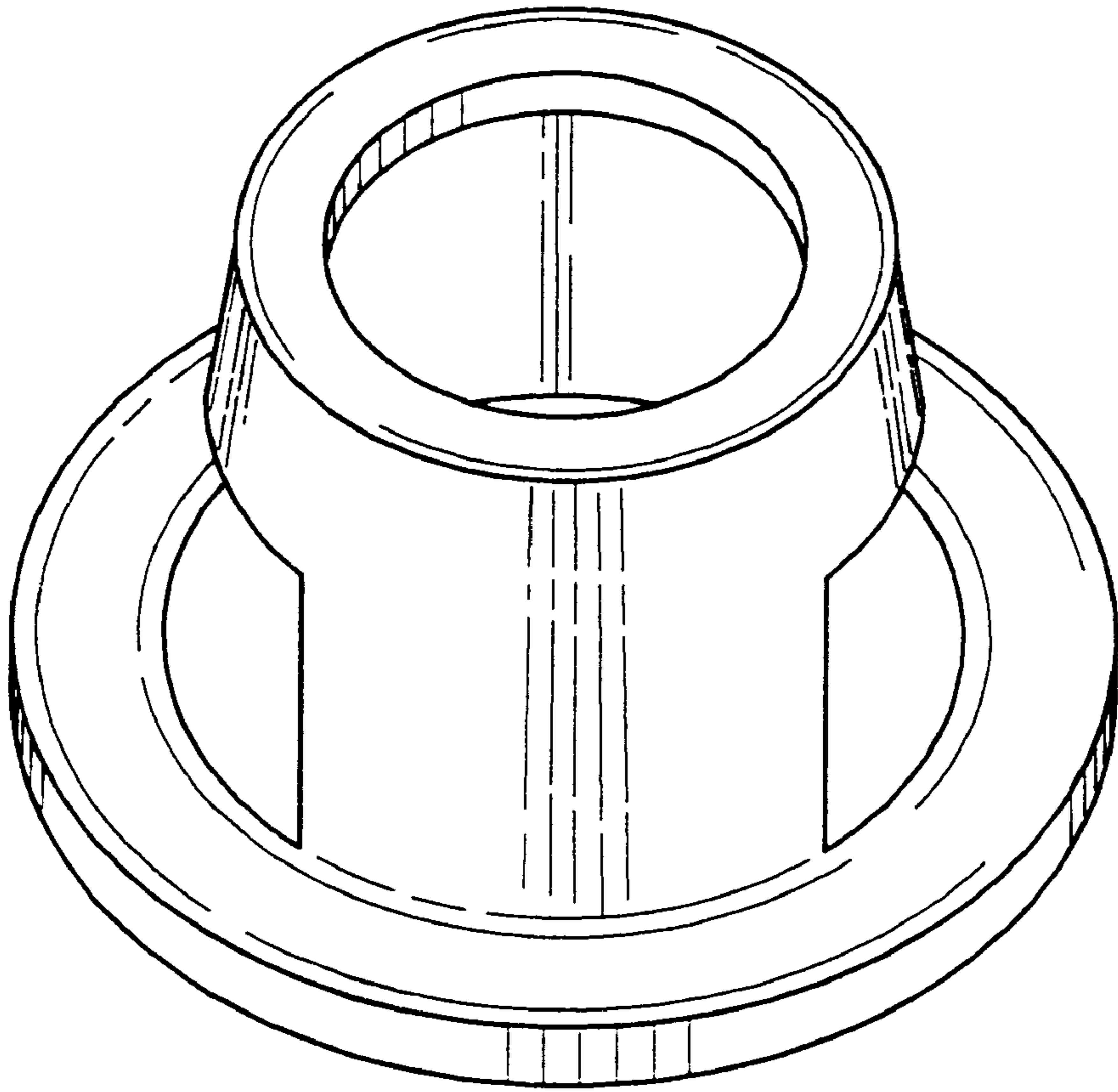


Fig.1

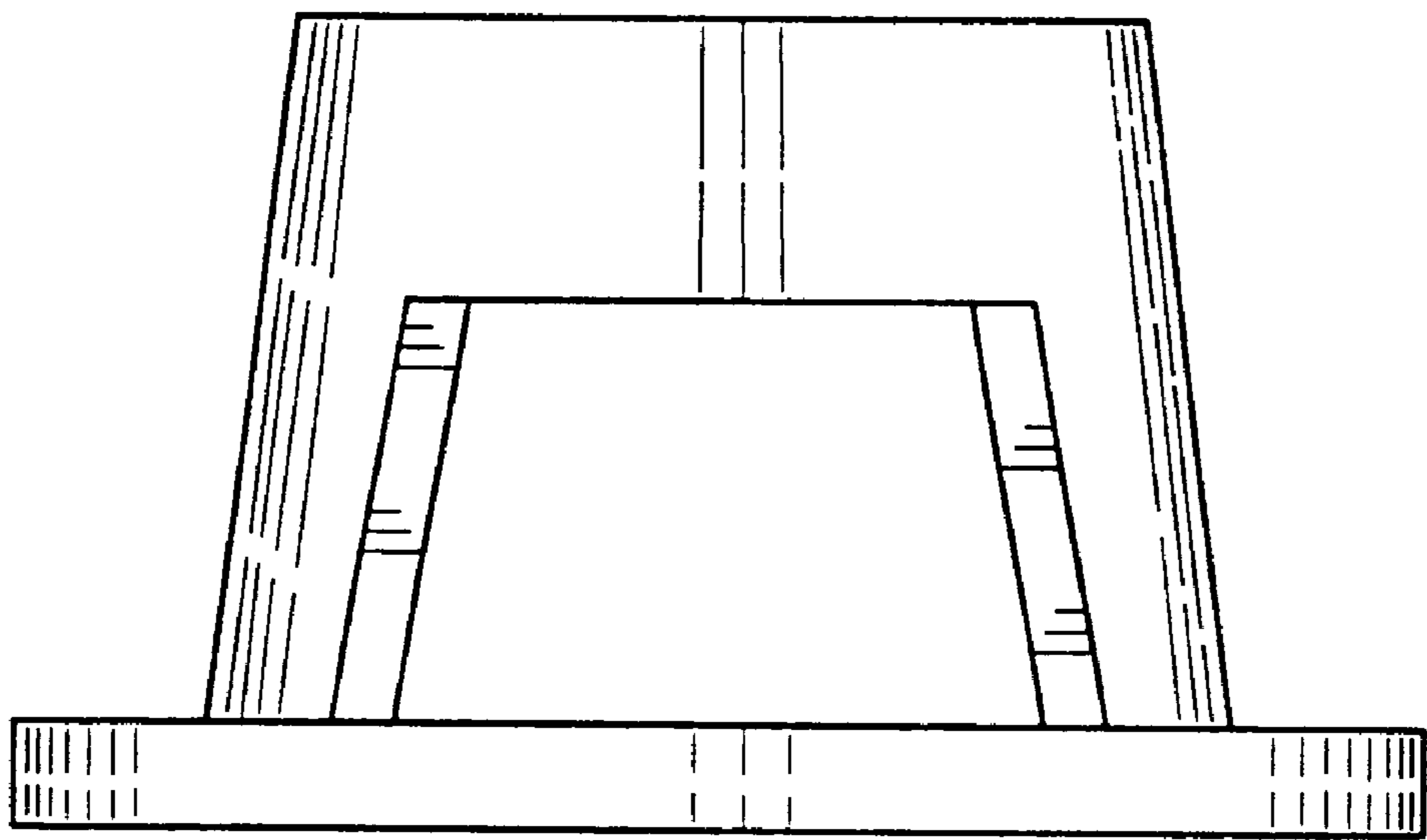


Fig.2

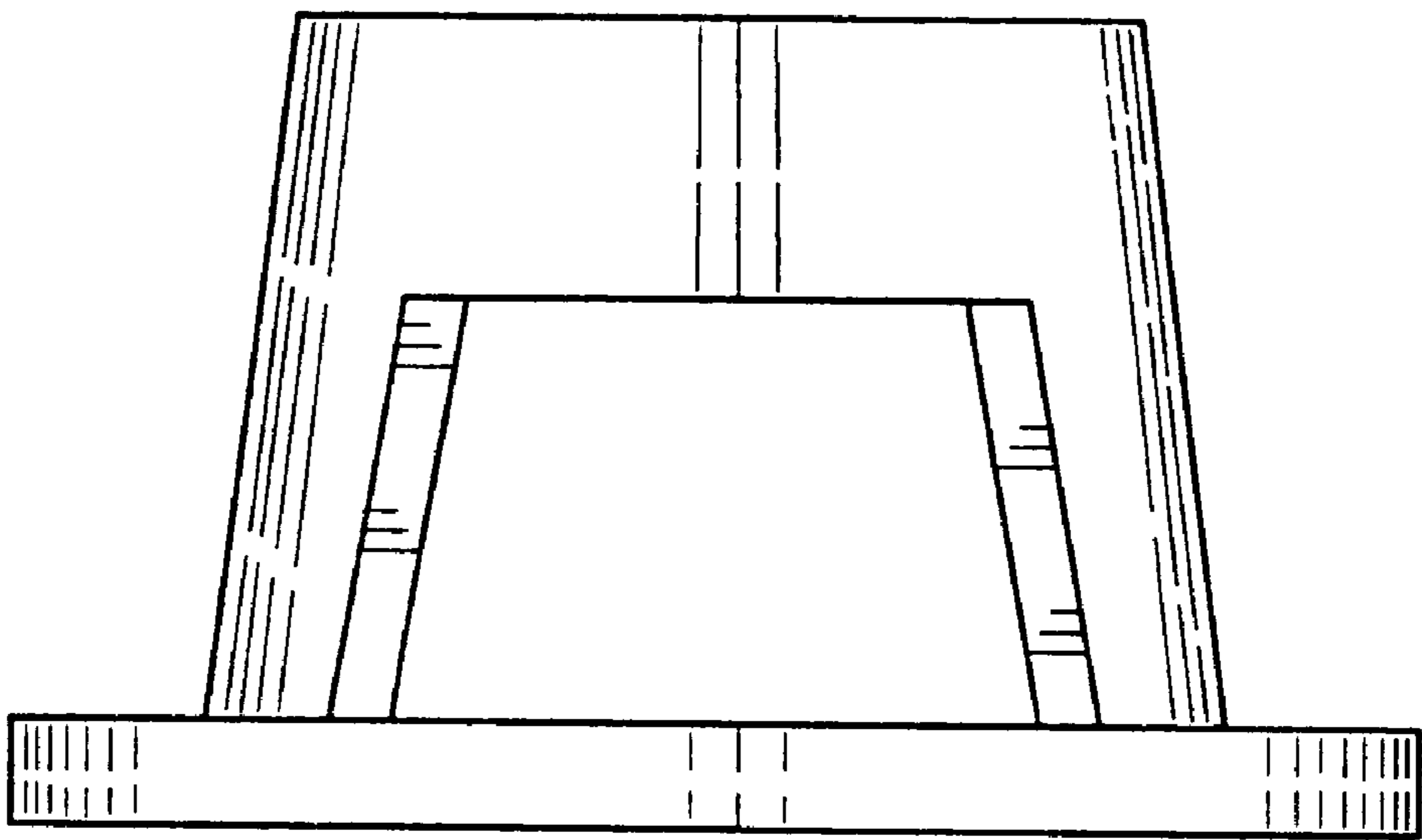


Fig.3

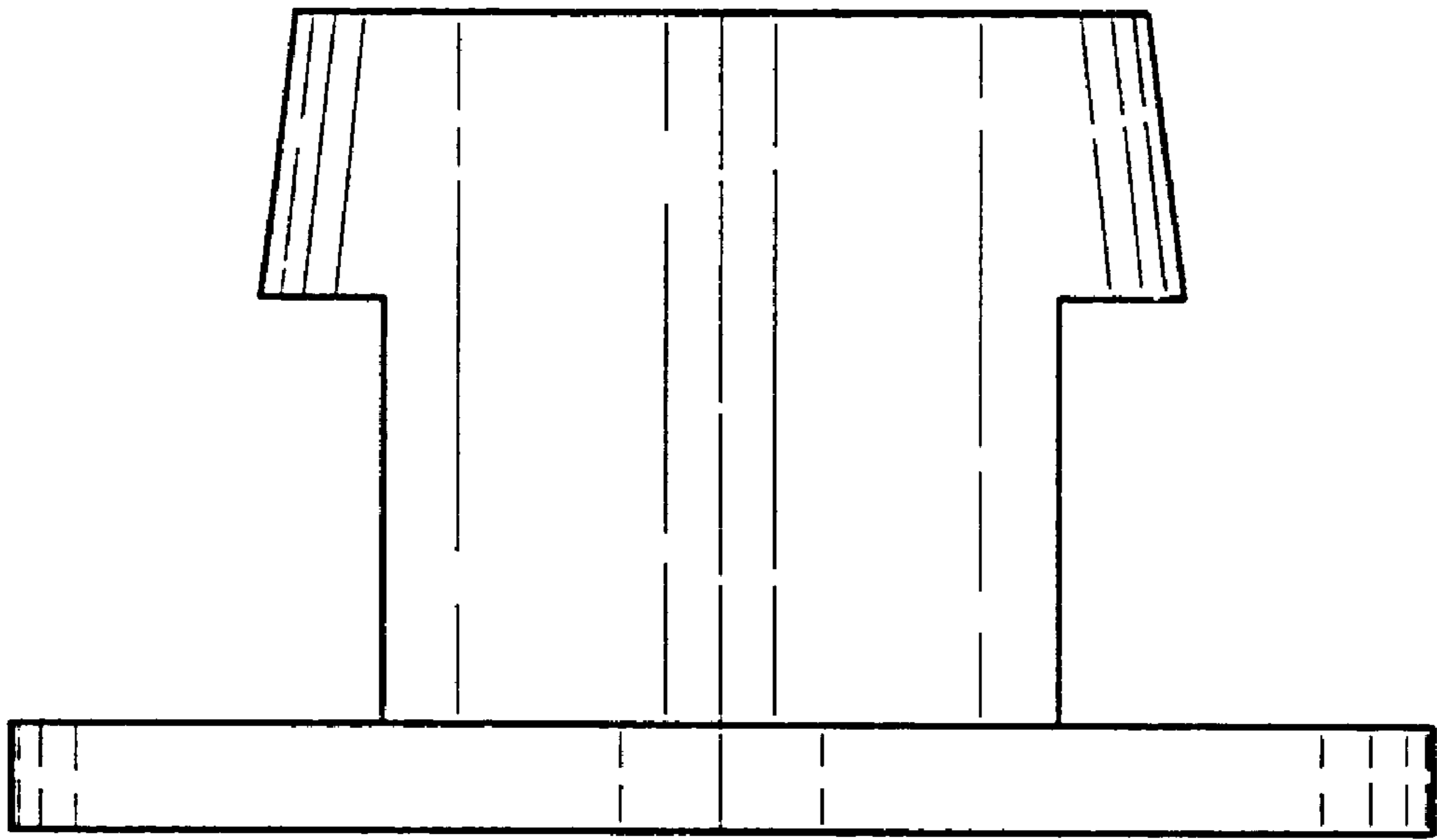


Fig.4

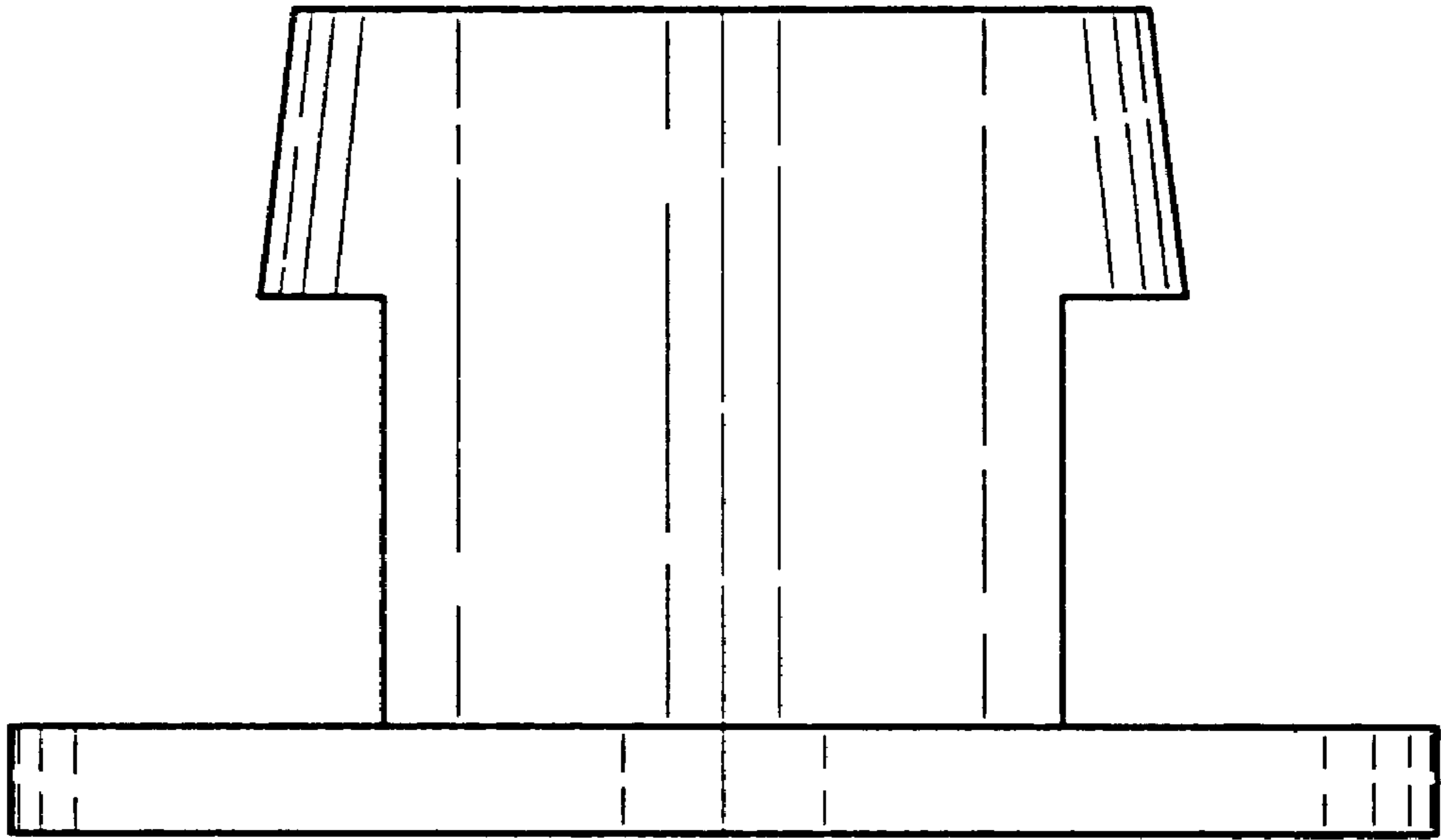


Fig.5

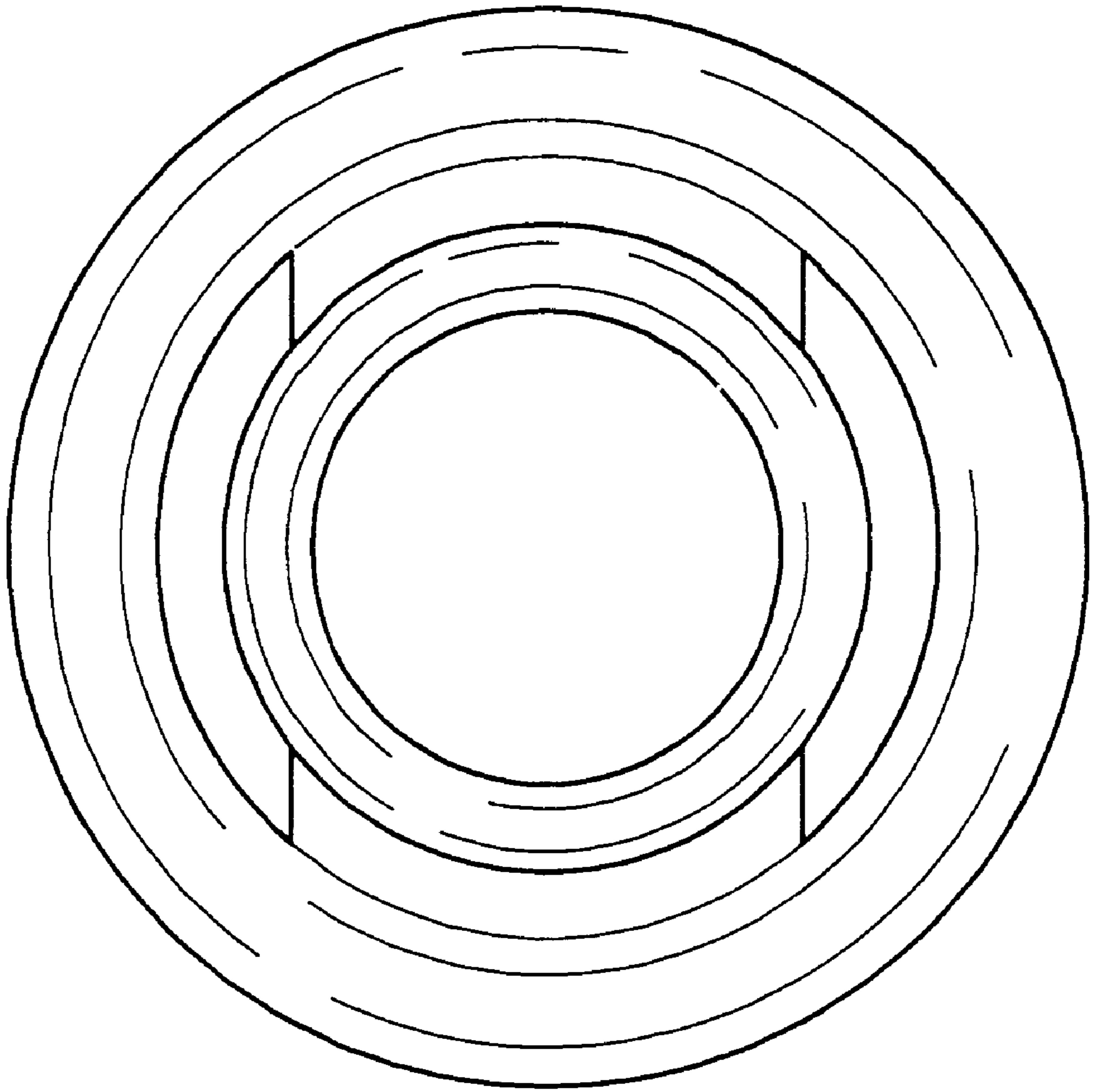


Fig.6

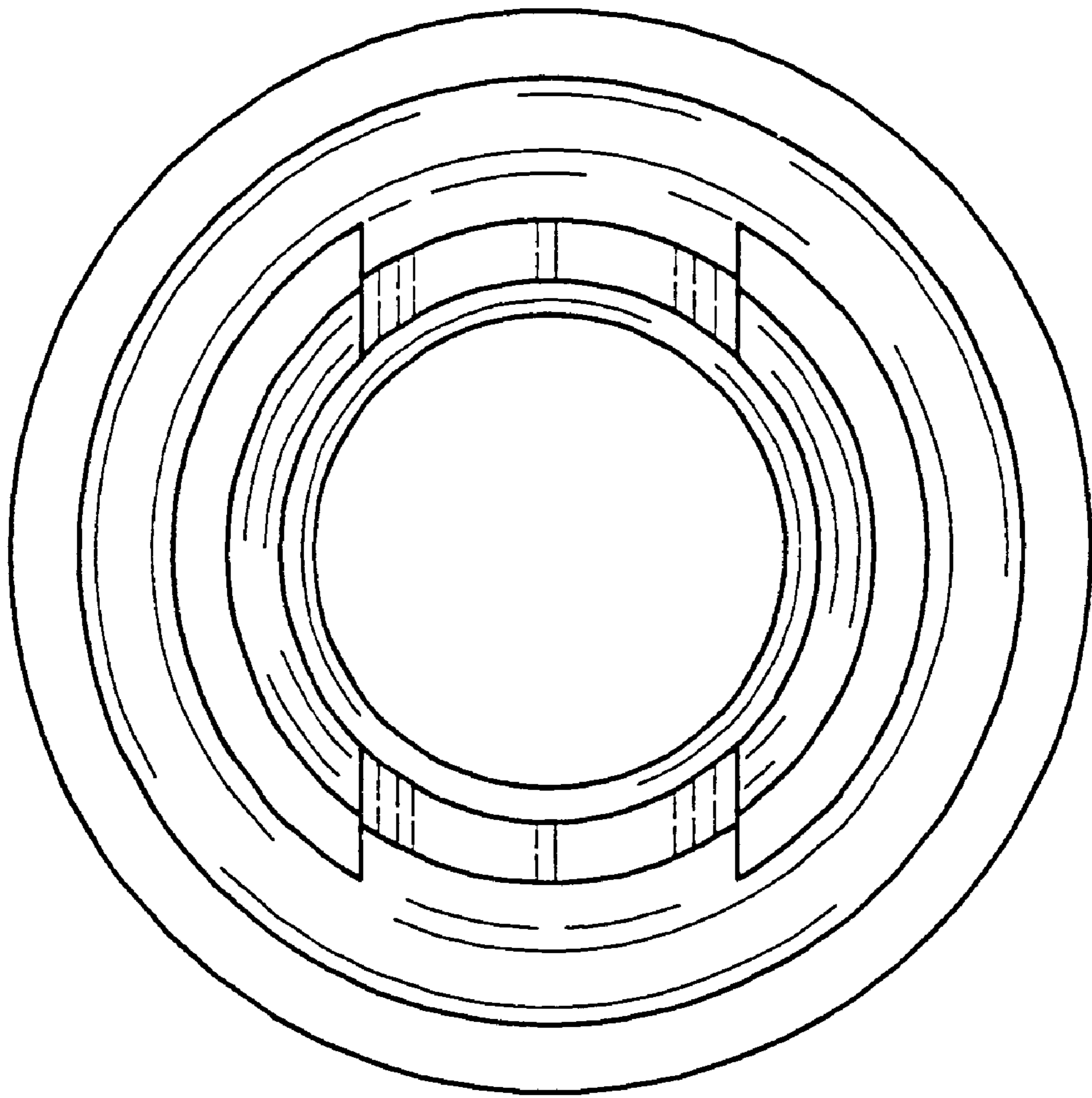


Fig. 7