



US00D418409S

# United States Patent [19] Hampshire

[11] **Patent Number: Des. 418,409**  
[45] **Date of Patent: \*\* Jan. 4, 2000**

[54] **WAVE BOX**  
[75] Inventor: **James Hampshire**, Solon, Ohio  
[73] Assignee: **InterDesign, Inc.**, Solon, Ohio  
[\*\*] Term: **14 Years**  
[21] Appl. No.: **29/082,476**  
[22] Filed: **Jan. 23, 1998**  
[51] **LOC (7) Cl. .... 09-07**  
[52] **U.S. Cl. .... D9/424; D9/428**  
[58] **Field of Search .... D9/414, 428, 429,**  
D9/337, 424, 513, 516, 549; D7/608, 610,  
612, 629, 602; 229/4.5, 406, 116.1, 116.5;  
206/457, 303; 220/4.21, 4.24, 4.25, 8, 376,  
380

779,208 1/1905 Donley ..... 229/5.5  
3,776,413 12/1973 Myers ..... 229/116.1 X  
5,265,749 11/1993 Zutler ..... 220/4.24  
5,332,146 7/1994 Brauner et al. .... 229/116.1

### OTHER PUBLICATIONS

H. Barrow Co. Inc., Low Stone Jars, p. 148, 1947.

*Primary Examiner*—Prabhakar Deshmukh  
*Attorney, Agent, or Firm*—D Peter Hochberg

### [57] CLAIM

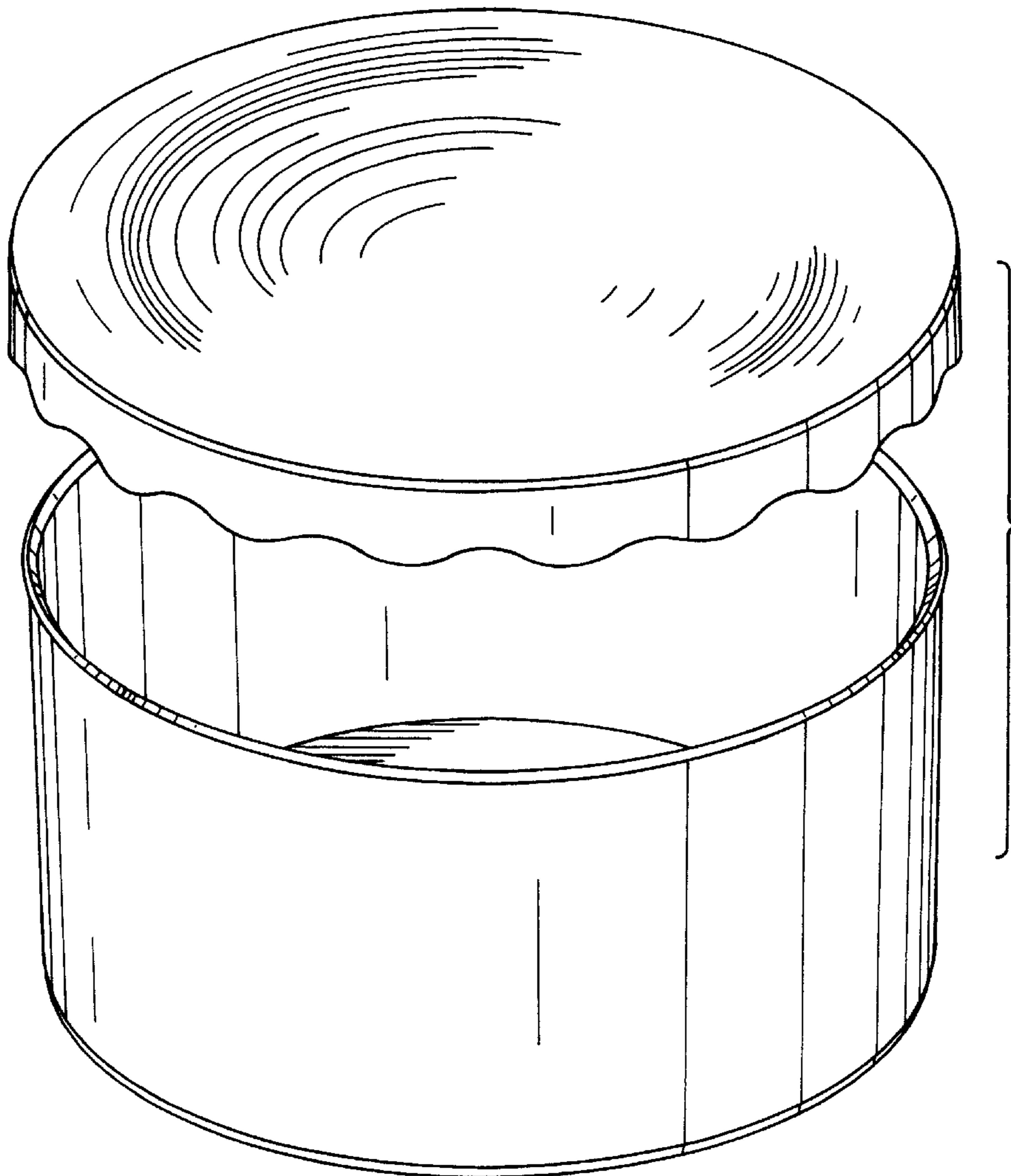
The ornamental design for a wave box, as shown and described.

### DESCRIPTION

FIG. 1 is a perspective view of a wave box showing my new design;  
FIG. 2 is a side view thereof;  
FIG. 3 is a bottom plan view thereof;  
FIG. 4 is an exploded perspective view thereof; and,  
FIG. 5 is an enlarged scale partial sectional elevational view thereof; taken along line 5—5 of FIG. 2.

[56] **References Cited**  
**U.S. PATENT DOCUMENTS**  
D. 346,961 5/1994 Kupperman ..... D9/424 X  
D. 391,762 3/1998 Ahren, Jr. .... D9/424 X  
D. 393,420 4/1998 Hsu ..... D9/424

**1 Claim, 4 Drawing Sheets**



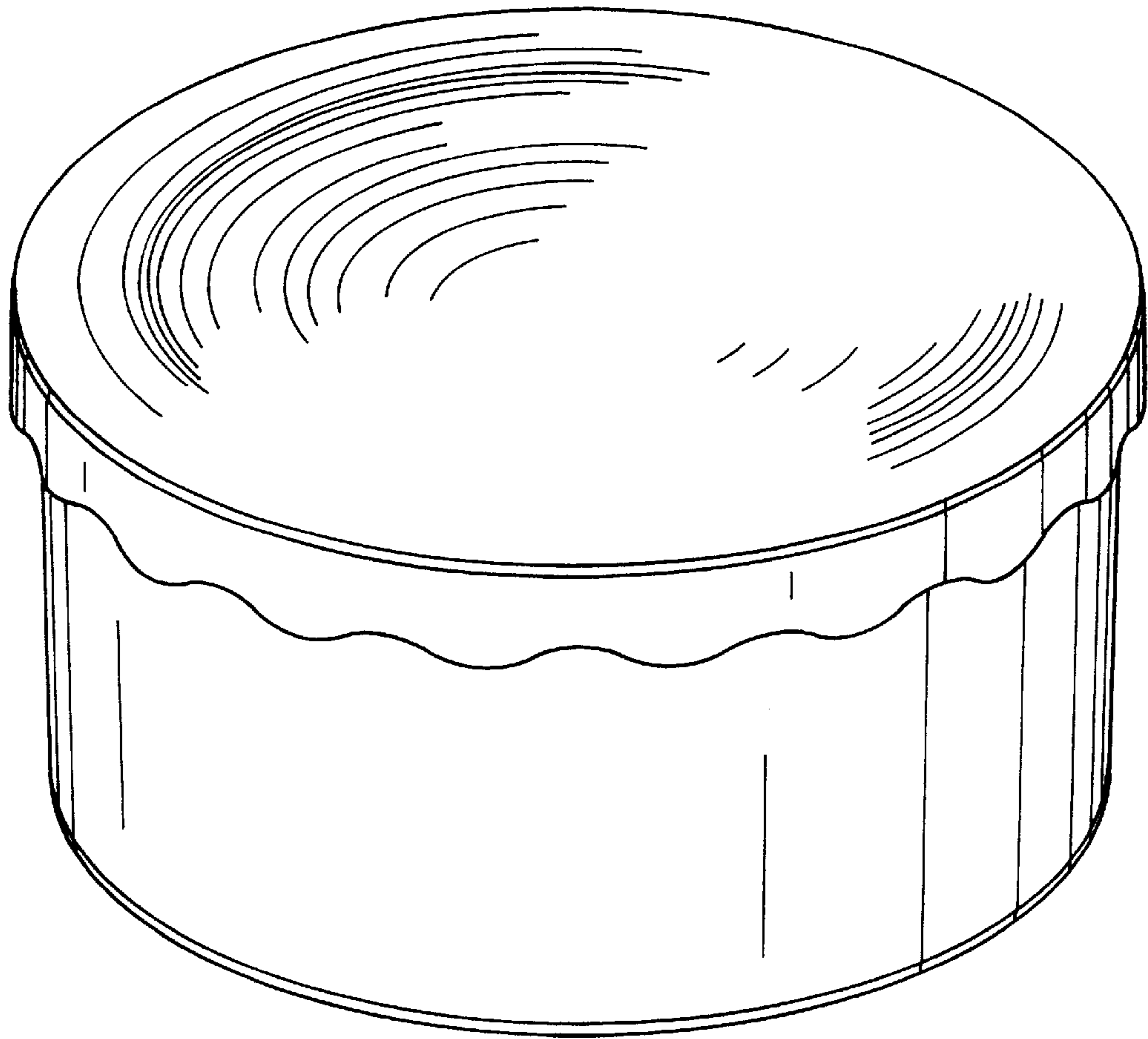


FIG. 1

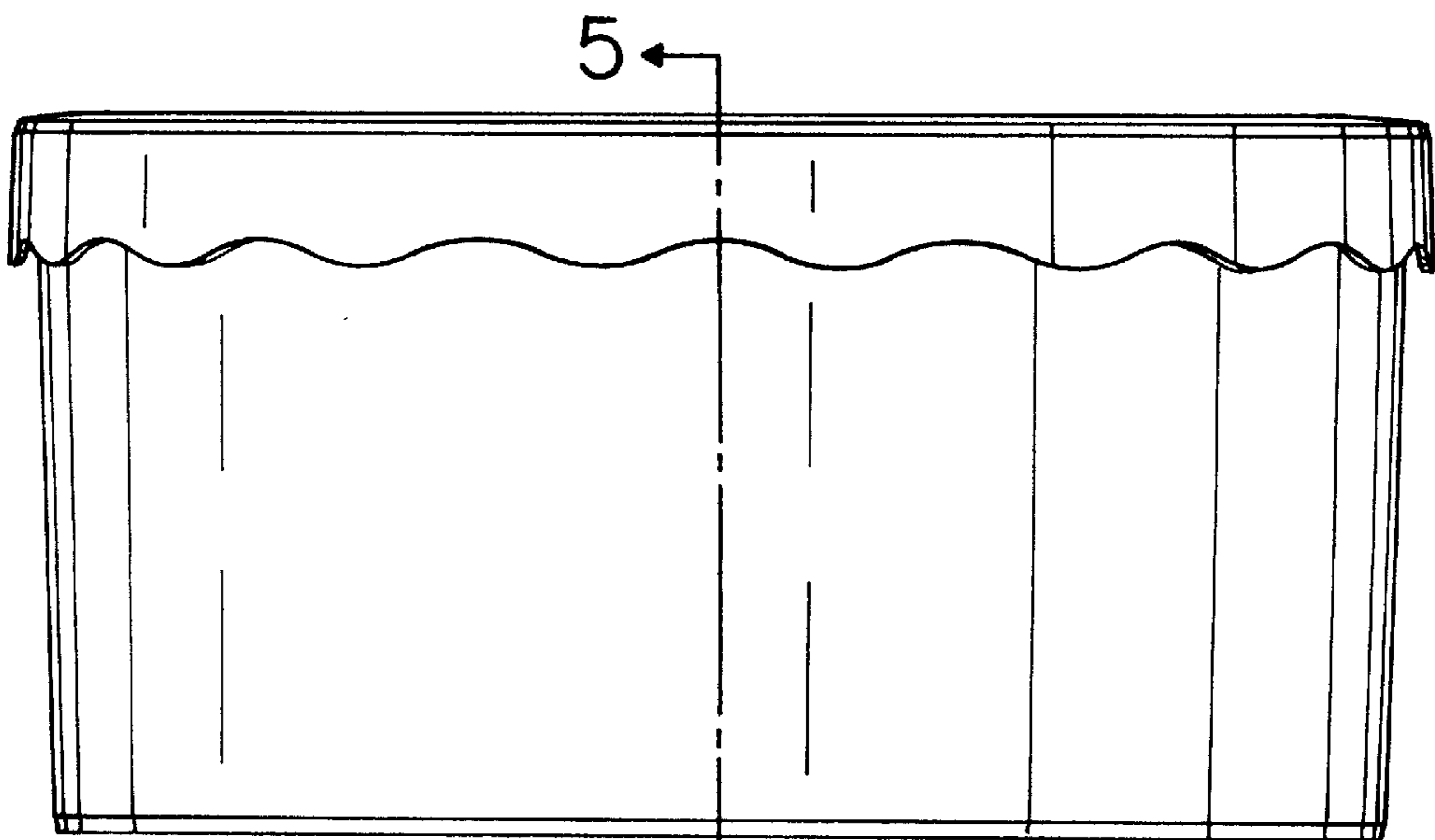


FIG. 2

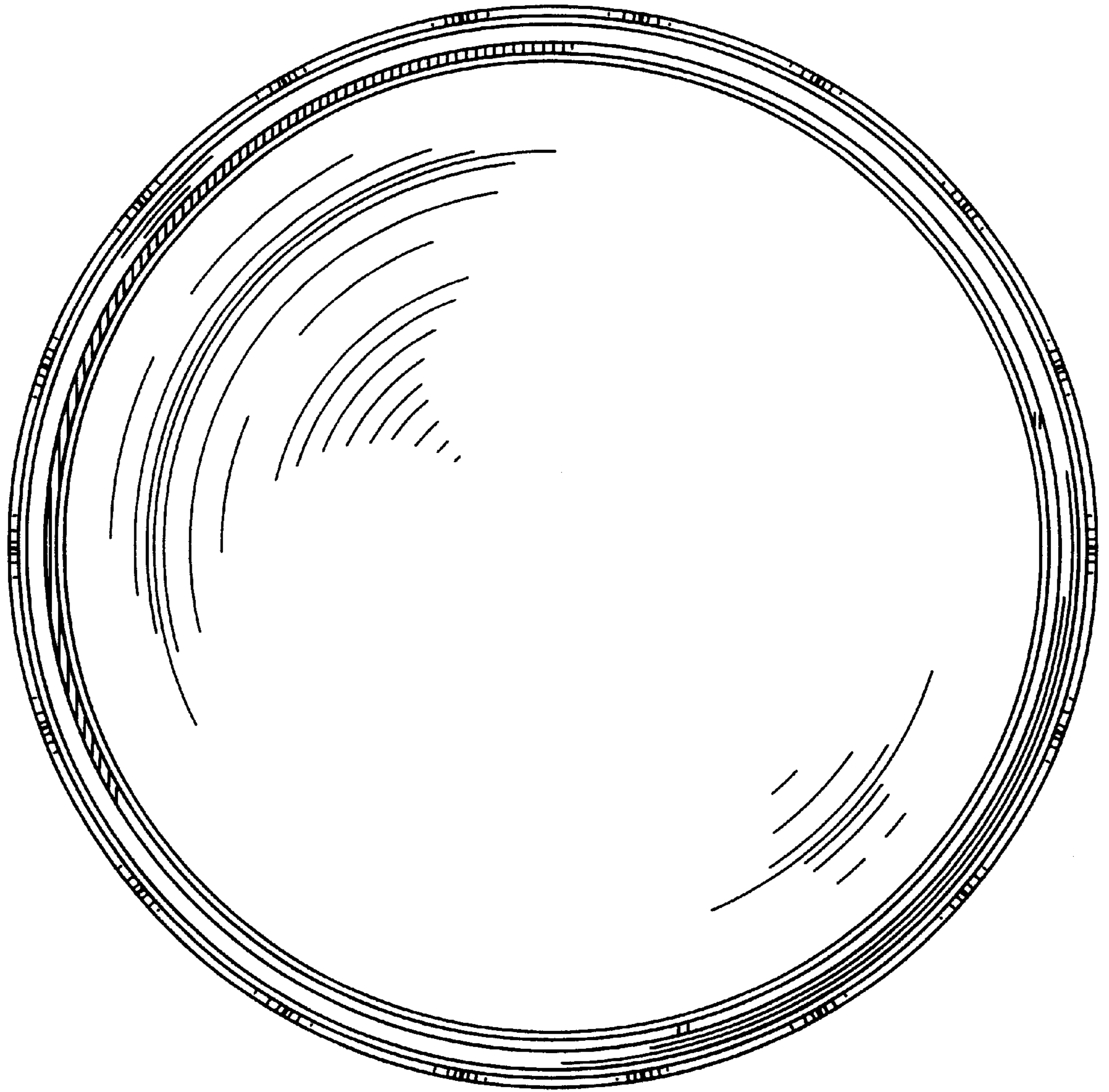


FIG. 3

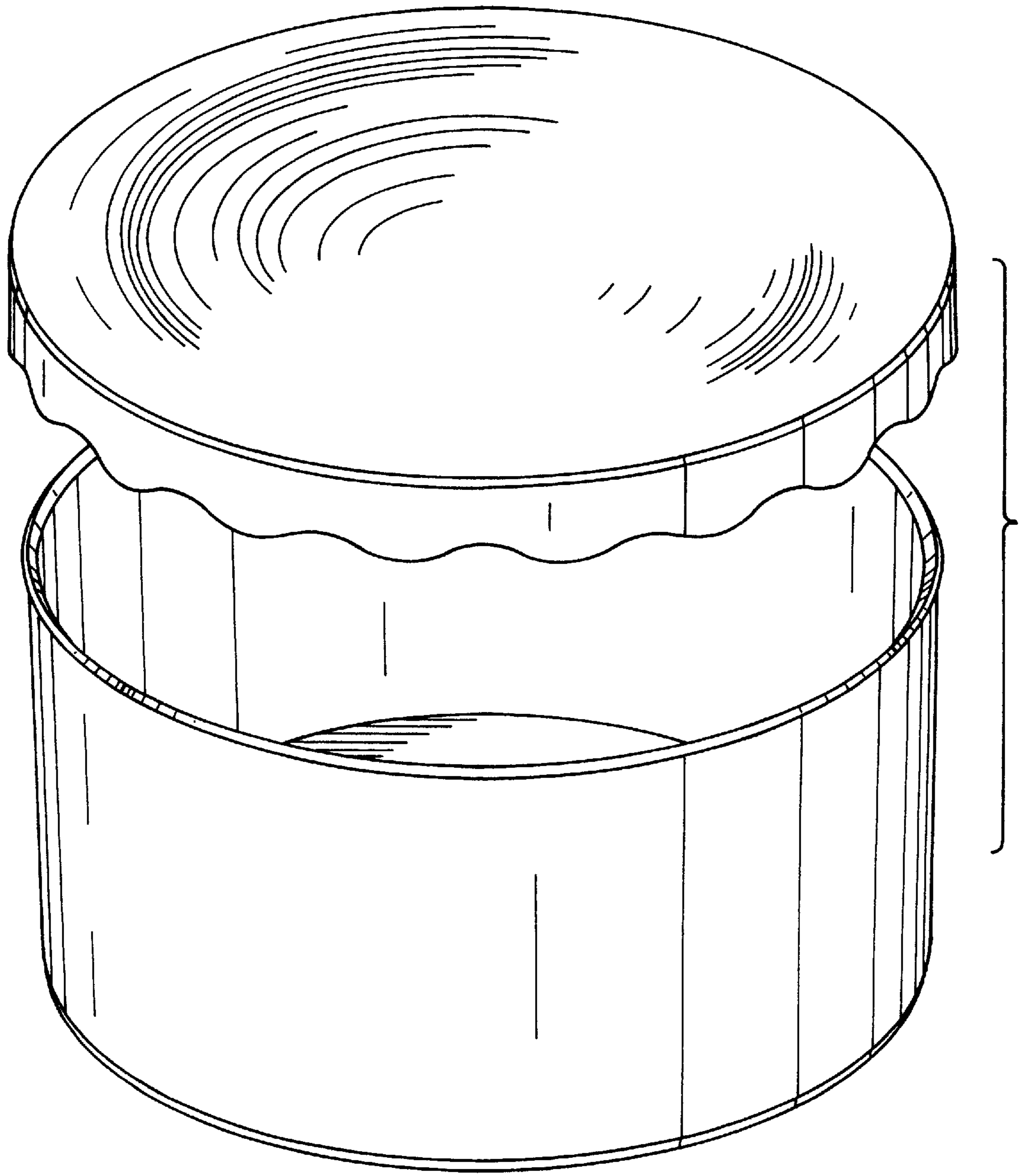


FIG. 4

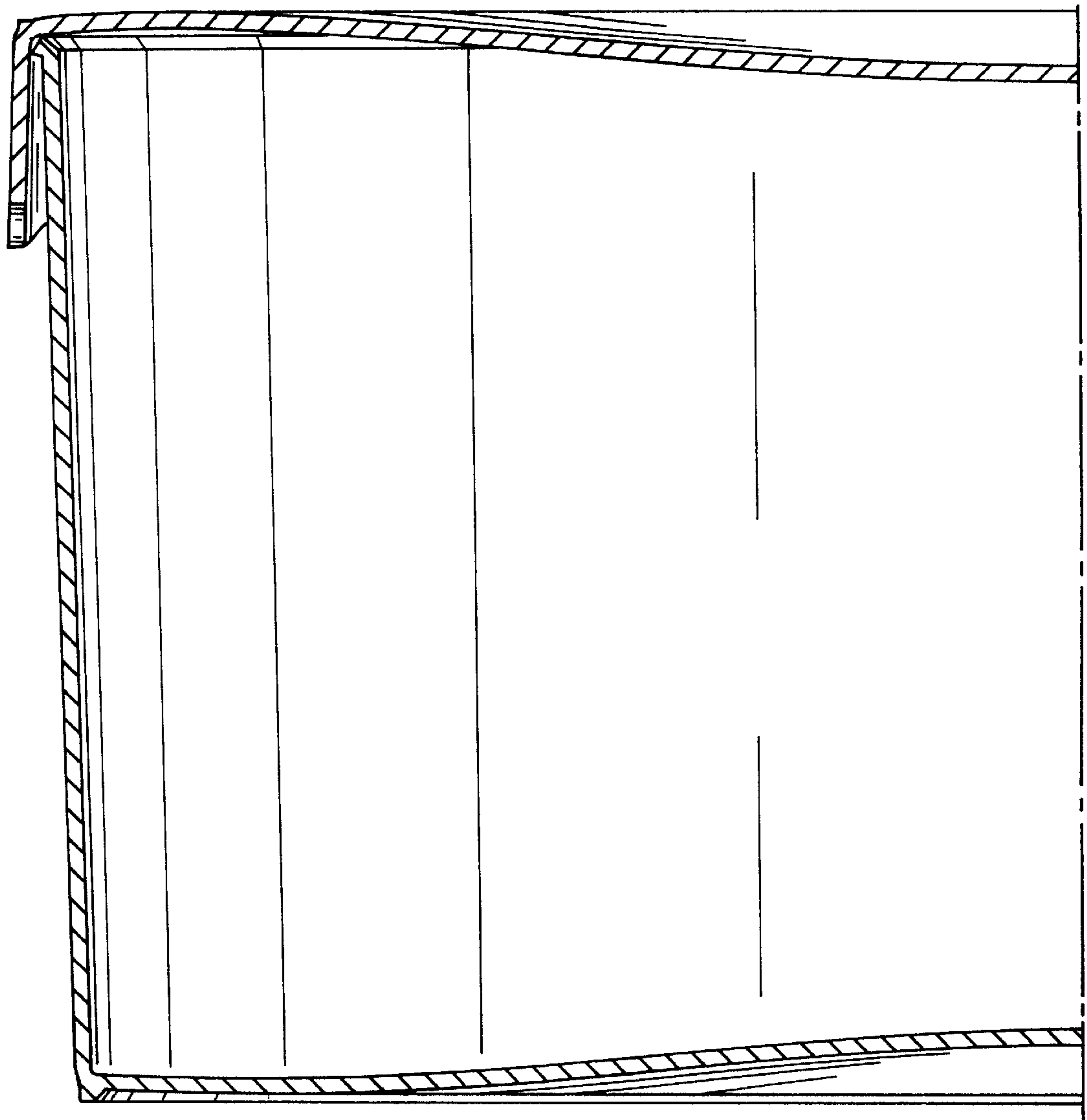


FIG. 5