



US00D418402S

United States Patent [19]
Hailey

[11] **Patent Number: Des. 418,402**
[45] **Date of Patent: ** Jan. 4, 2000**

[54] **DOOR PROP FOR A REFRIGERATOR**

[76] Inventor: **Robin M. Hailey**, 545 Chestnut St.,
Orange, N.J. 07050-1106

[**] Term: **14 Years**

[21] Appl. No.: **29/078,870**

[22] Filed: **Nov. 4, 1997**

[51] **LOC (7) Cl.** **08-09**

[52] **U.S. Cl.** **D8/402**

[58] **Field of Search** 292/288, 339-340,
292/341, 342, 343, DIG. 15; 16/82, 86 R,
374; D8/402

[56] **References Cited**

U.S. PATENT DOCUMENTS

2,767,421 10/1956 Fremstad 16/85
4,456,291 6/1984 Brogie 292/DIG. 15
5,027,471 7/1991 Barnes 16/86 R

Primary Examiner—Susan J. Lucas
Assistant Examiner—Jennifer Rivard
Attorney, Agent, or Firm—M. K. Silverman

[57] **CLAIM**

The ornamental design for a door prop for a refrigerator, as shown and described.

DESCRIPTION

FIG. 1 is an environmental view showing my novel design for door prop for a refrigerator;

FIG. 2 is a top plan view of which the bottom view is a mirror image thereof.

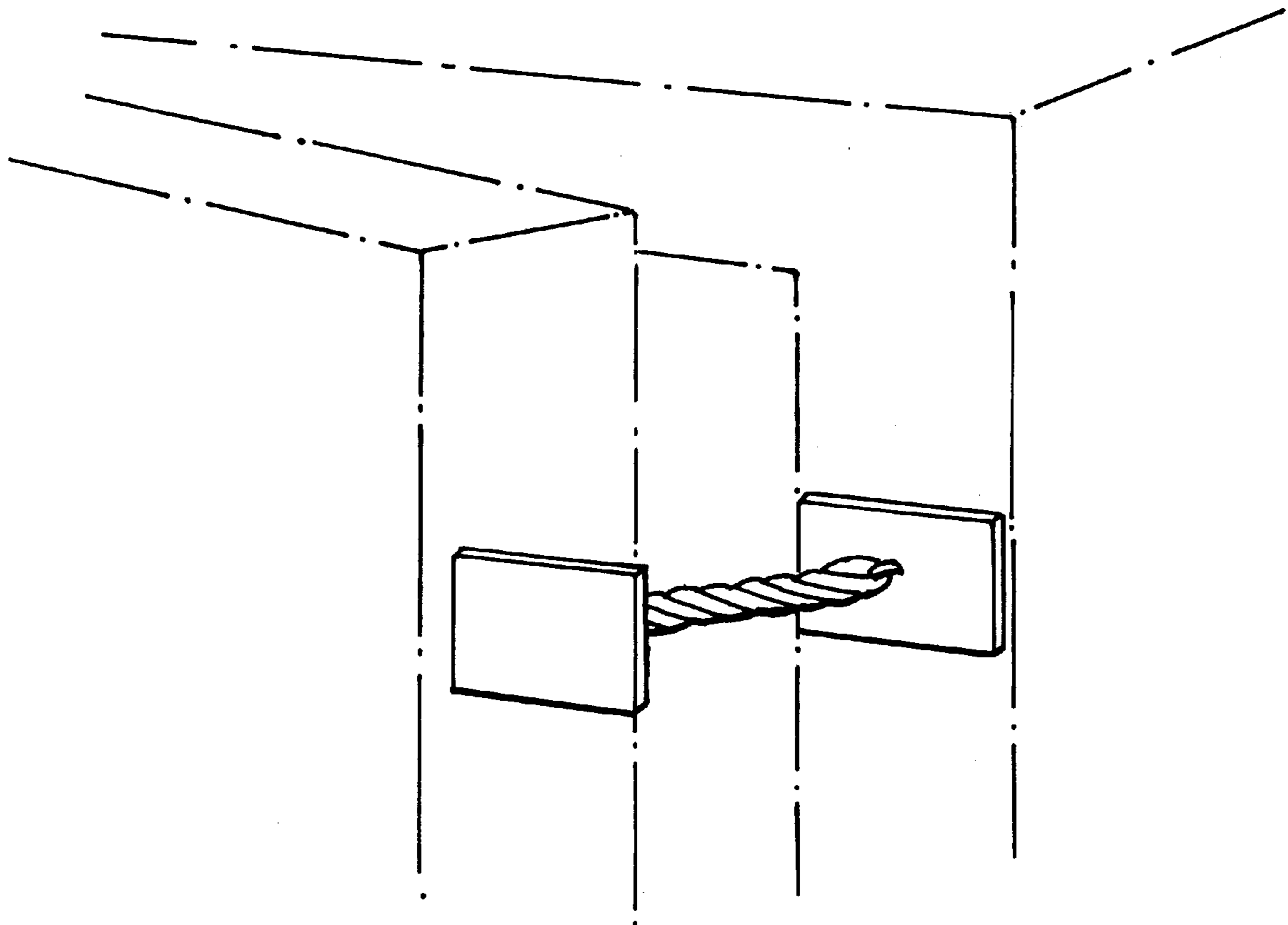
FIG. 3 is a left side end view of which the right side is a mirror image thereof.

FIG. 4 is a front elevational view of the door prop for a refrigerator; and,

FIG. 5 is a rear elevational view thereof.

The broken lines are shown for illustrative purposes only and form no part of the claim design.

1 Claim, 2 Drawing Sheets



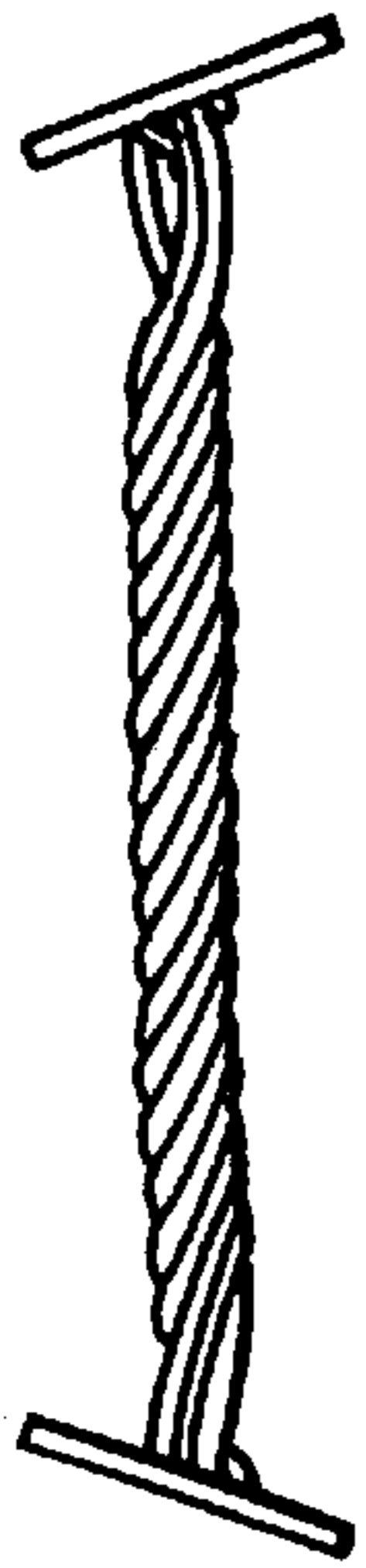


FIG. 2

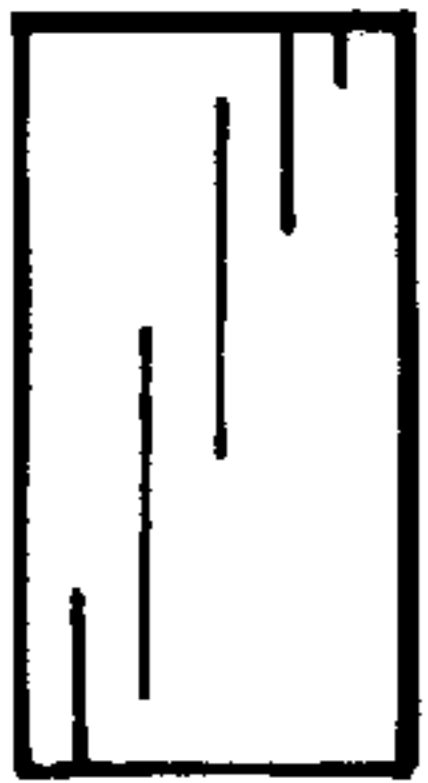


FIG. 3

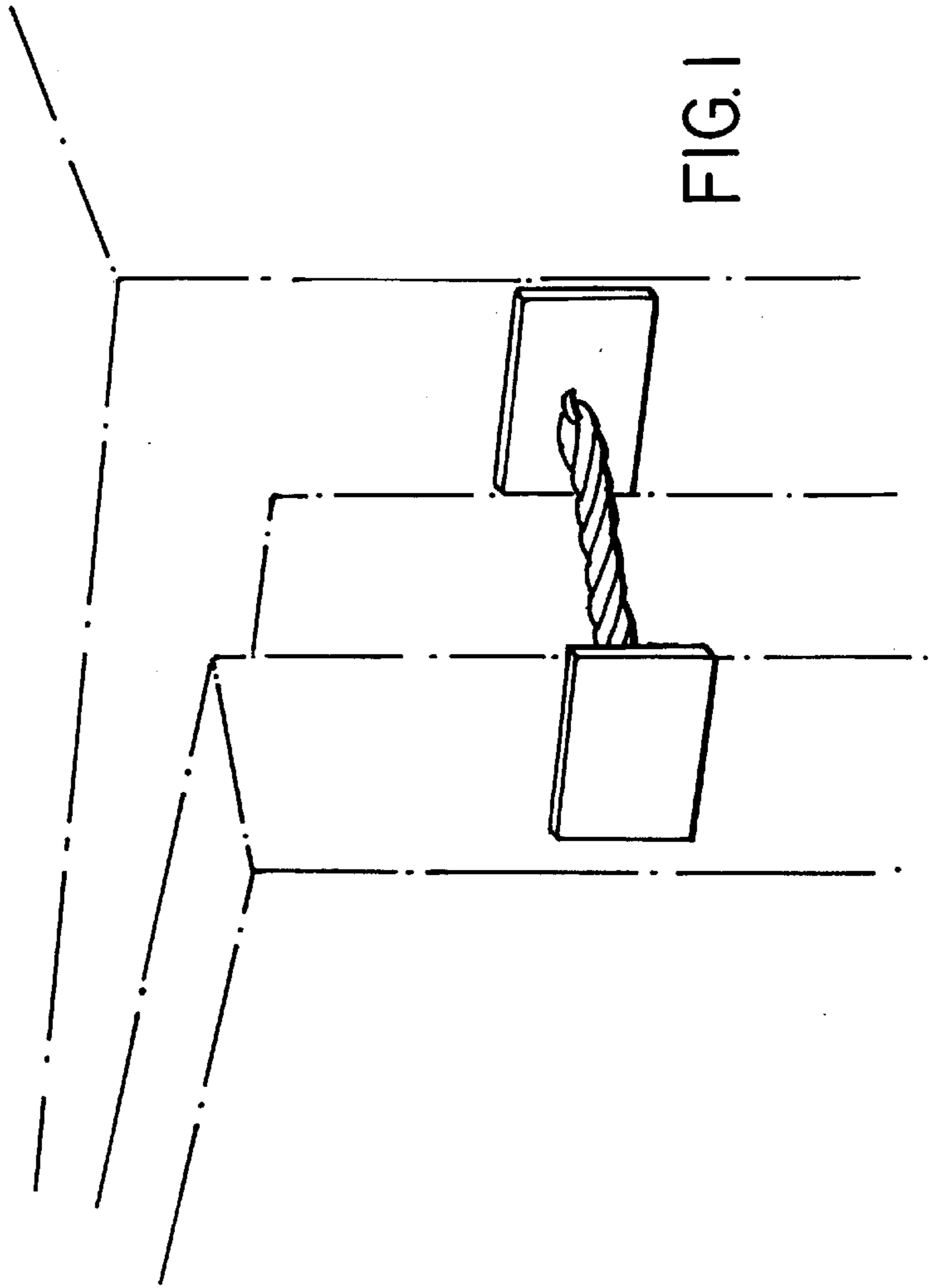


FIG. 1

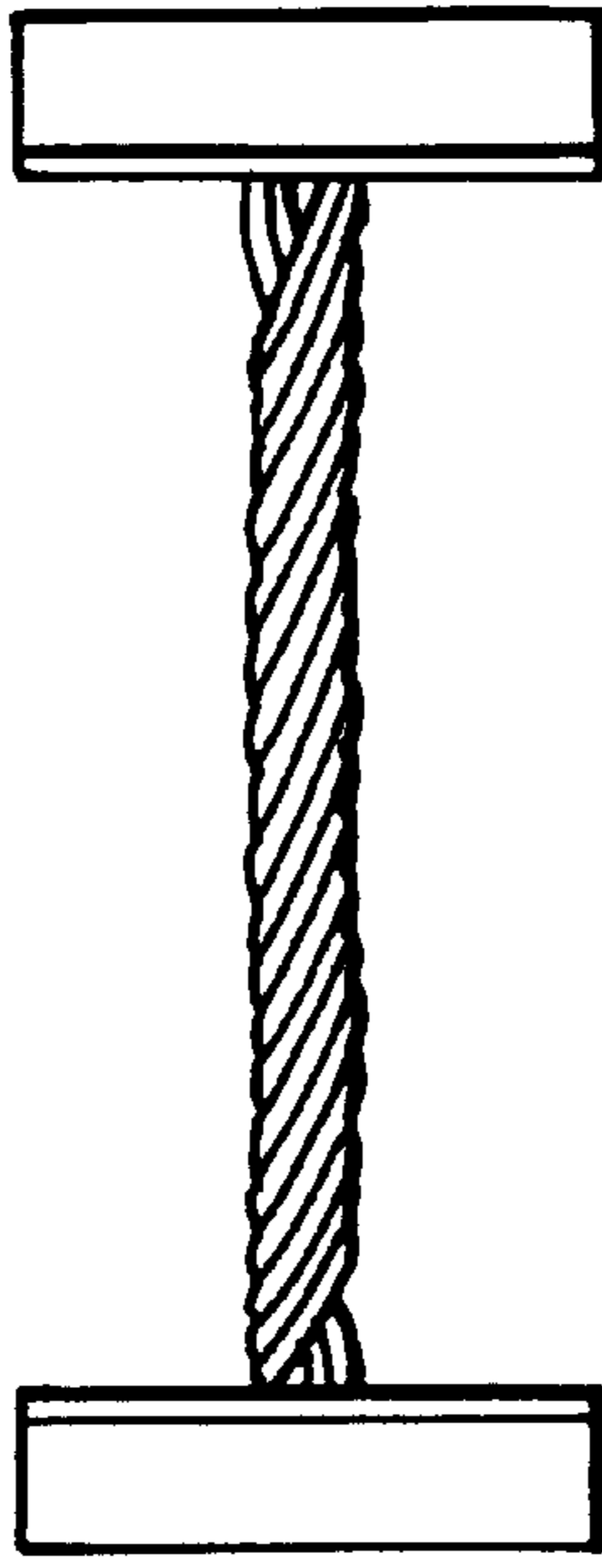


FIG. 5

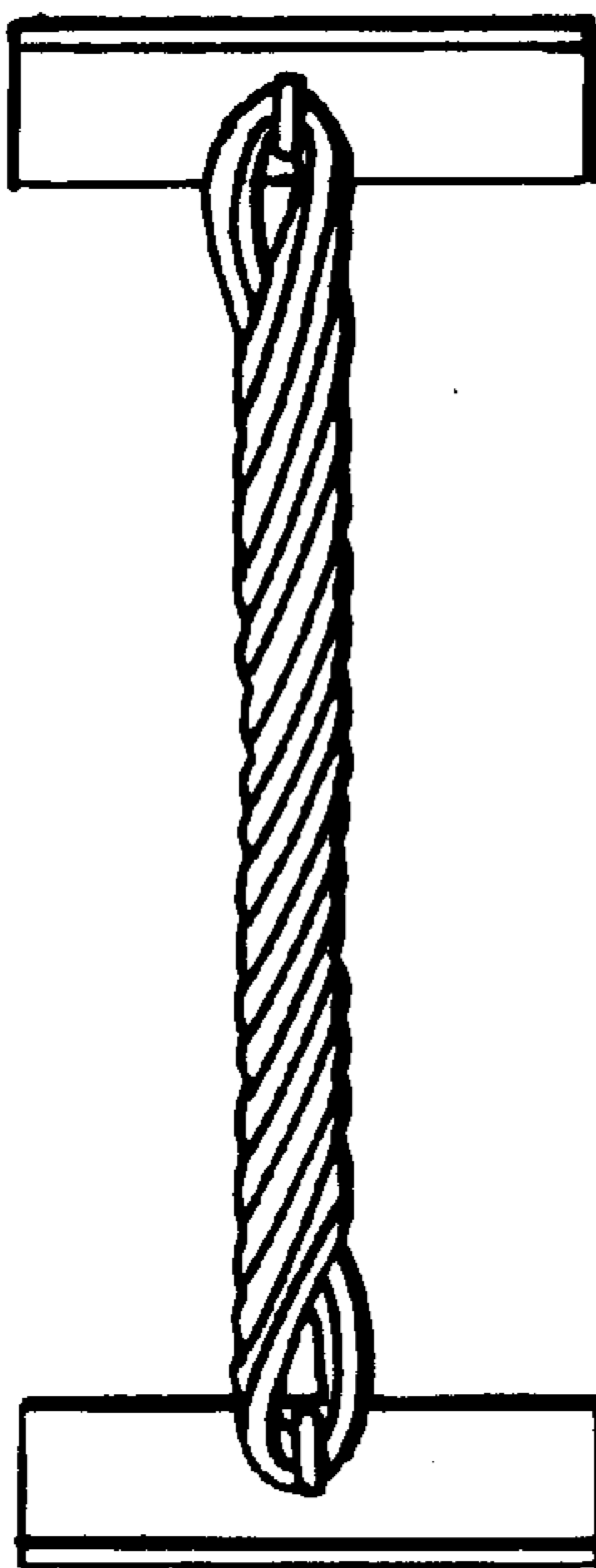


FIG. 4