



US00D418401S

# United States Patent [19] Anderson

[11] **Patent Number: Des. 418,401**  
[45] **Date of Patent: \*\* Jan. 4, 2000**

[54] **VALANCE CLIP FOR ARCHITECTURAL COVERINGS**

5,908,179 6/1999 Fimbres ..... 160/38

[75] Inventor: **Richard N. Anderson**, Whitesville, Ky.

*Primary Examiner*—B. J. Bullock  
*Attorney, Agent, or Firm*—Dorsey & Whitney LLP

[73] Assignee: **Hunter Douglas Inc.**, Upper Saddle River, N.J.

[57] **CLAIM**

[\*\*] Term: **14 Years**

I claim the ornamental design for a valance clip for architectural coverings, as shown.

[21] Appl. No.: **29/100,666**

**DESCRIPTION**

[22] Filed: **Feb. 16, 1999**

[51] **LOC (7) Cl.** ..... **08-08**

FIG. 1 is an isometric view looking downwardly from one side of the valance clip for architectural coverings.

[52] **U.S. Cl.** ..... **D8/395**

FIG. 2 is an isometric view similar to FIG. 1 looking downwardly at the opposite side of the valance clip.

[58] **Field of Search** ..... D8/373, 395; 160/19, 160/38, 39, 402; 16/404

FIG. 3 is a left side elevation of the valance clip as seen in FIG. 1.

[56] **References Cited**

FIG. 4 is a bottom plan view of the valance clip.

**U.S. PATENT DOCUMENTS**

FIG. 5 is a right side elevation with the valance clip inverted.

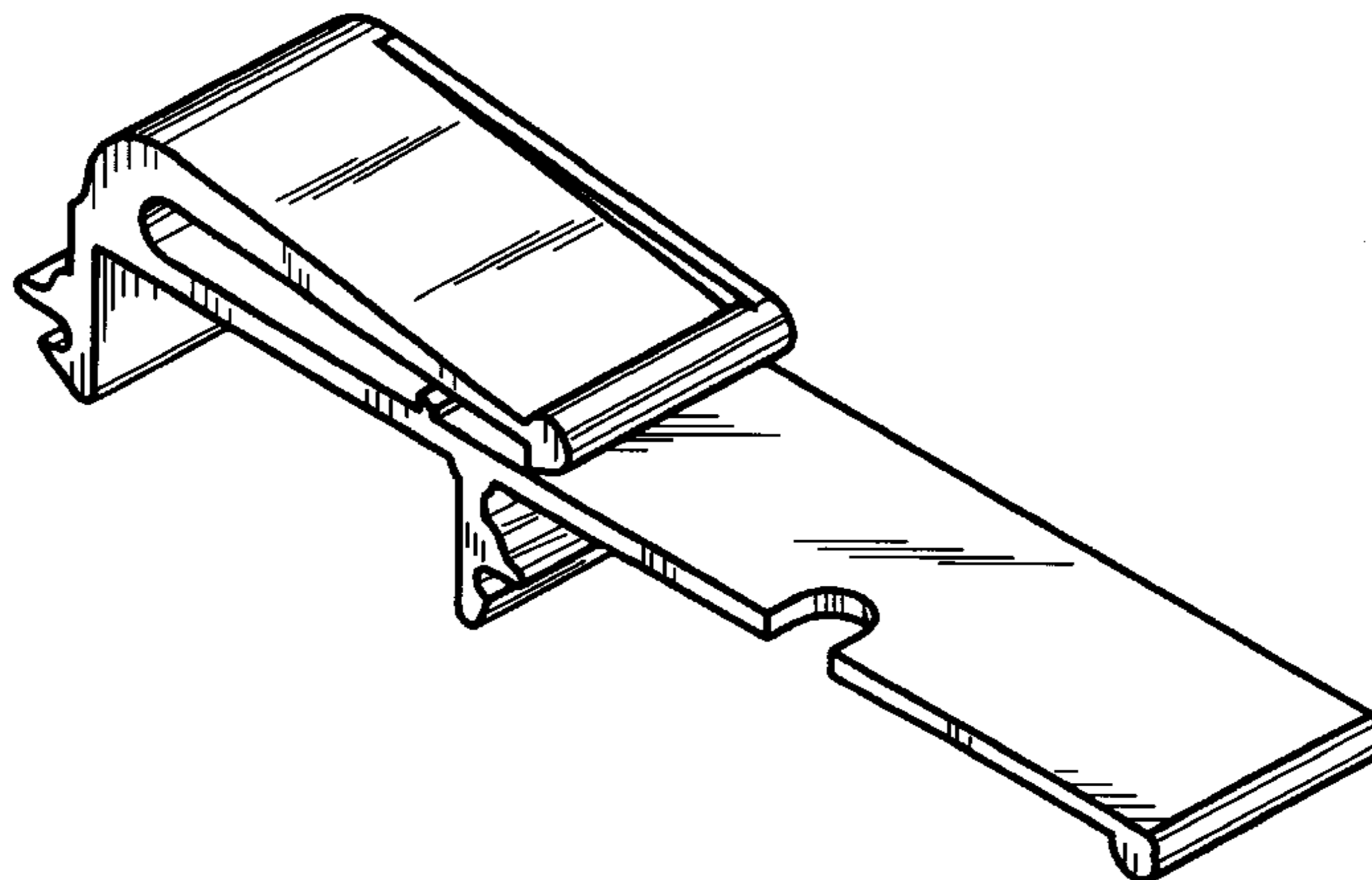
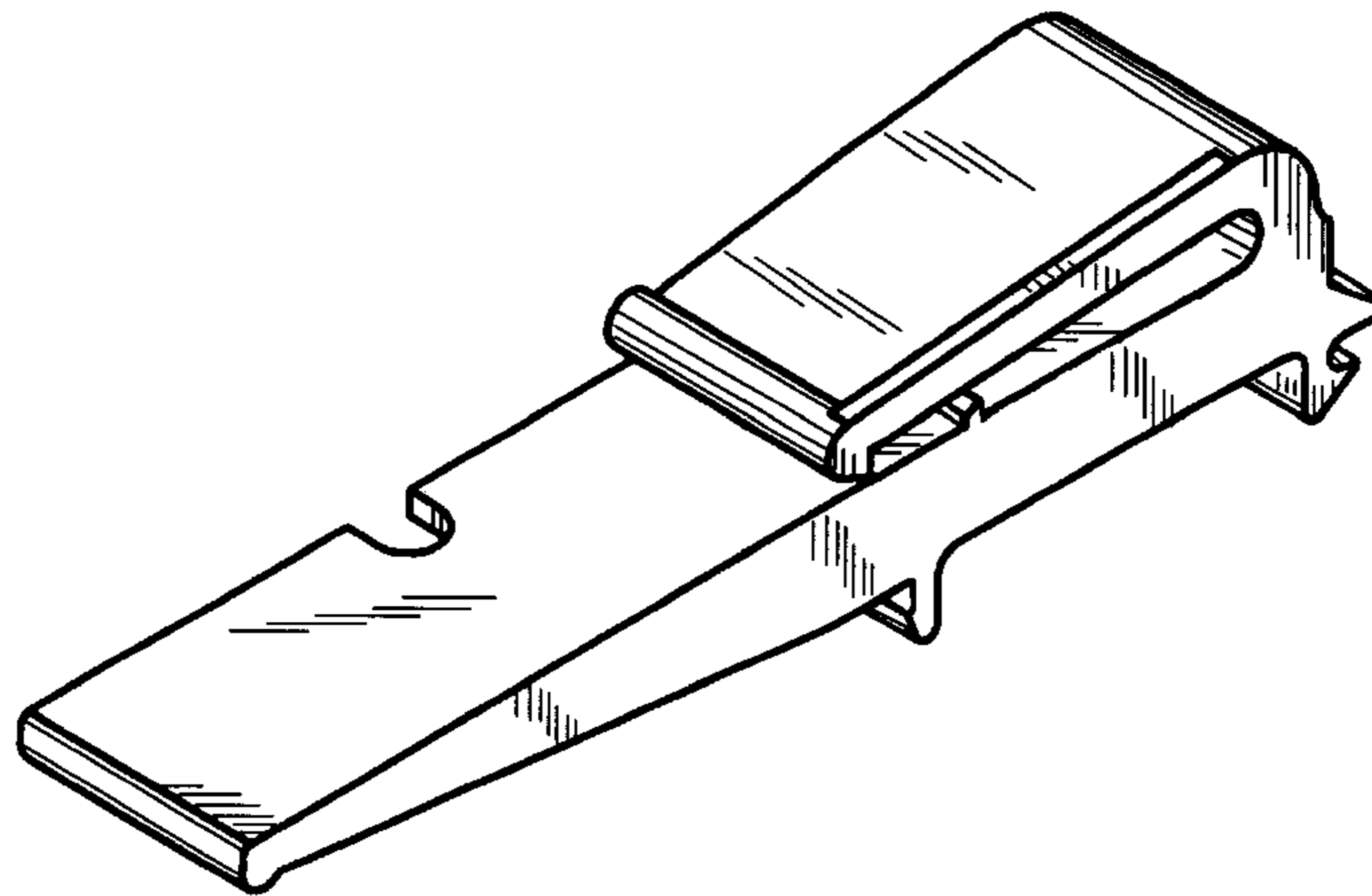
D. 312,042	11/1990	John	.....	D8/373
4,384,605	5/1983	Schaeffer	.....	160/19
4,921,031	5/1990	Wagner et al.	.....	160/38

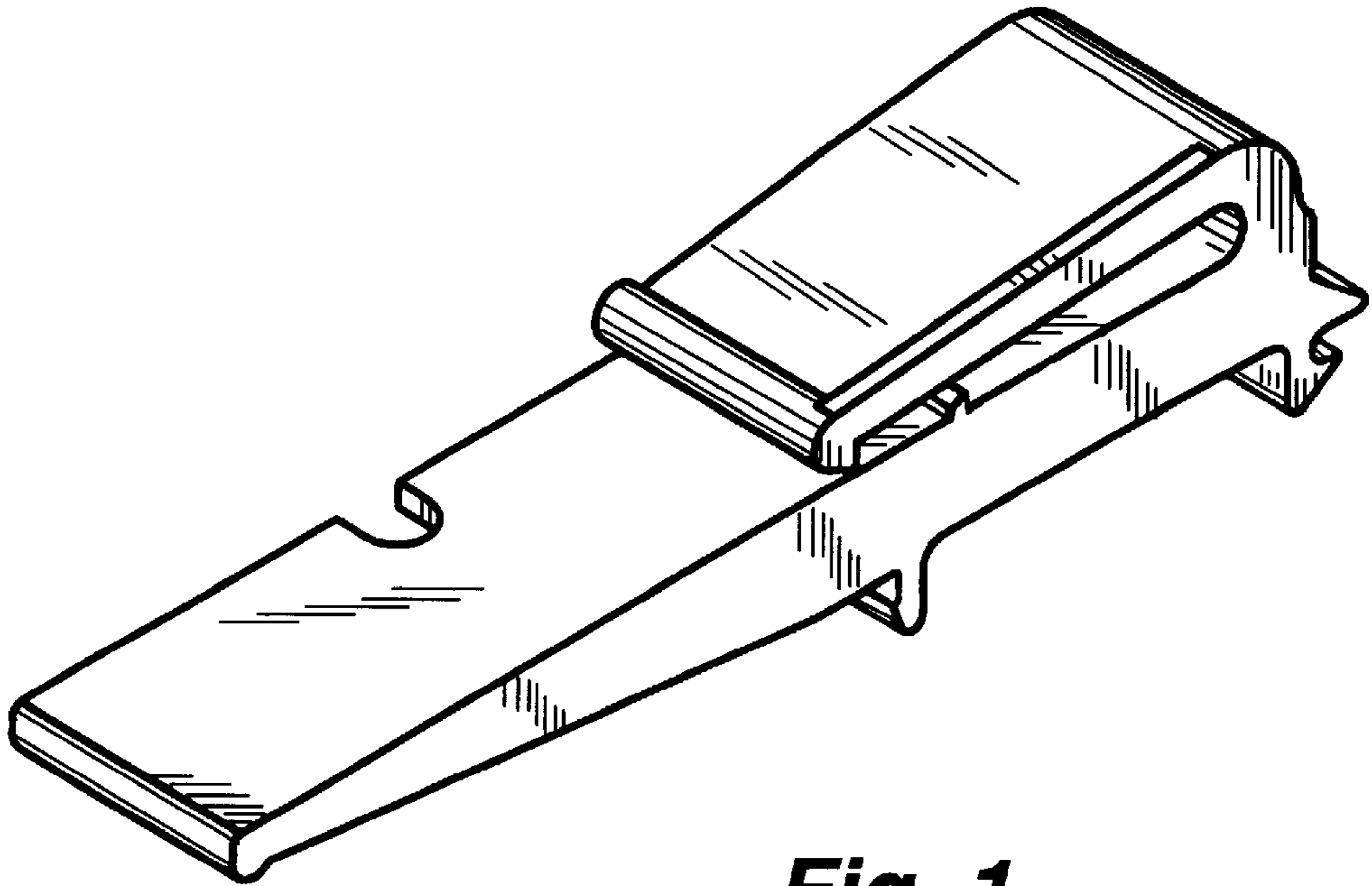
FIG. 6 is a front elevation.

FIG. 7 is a top plan view.

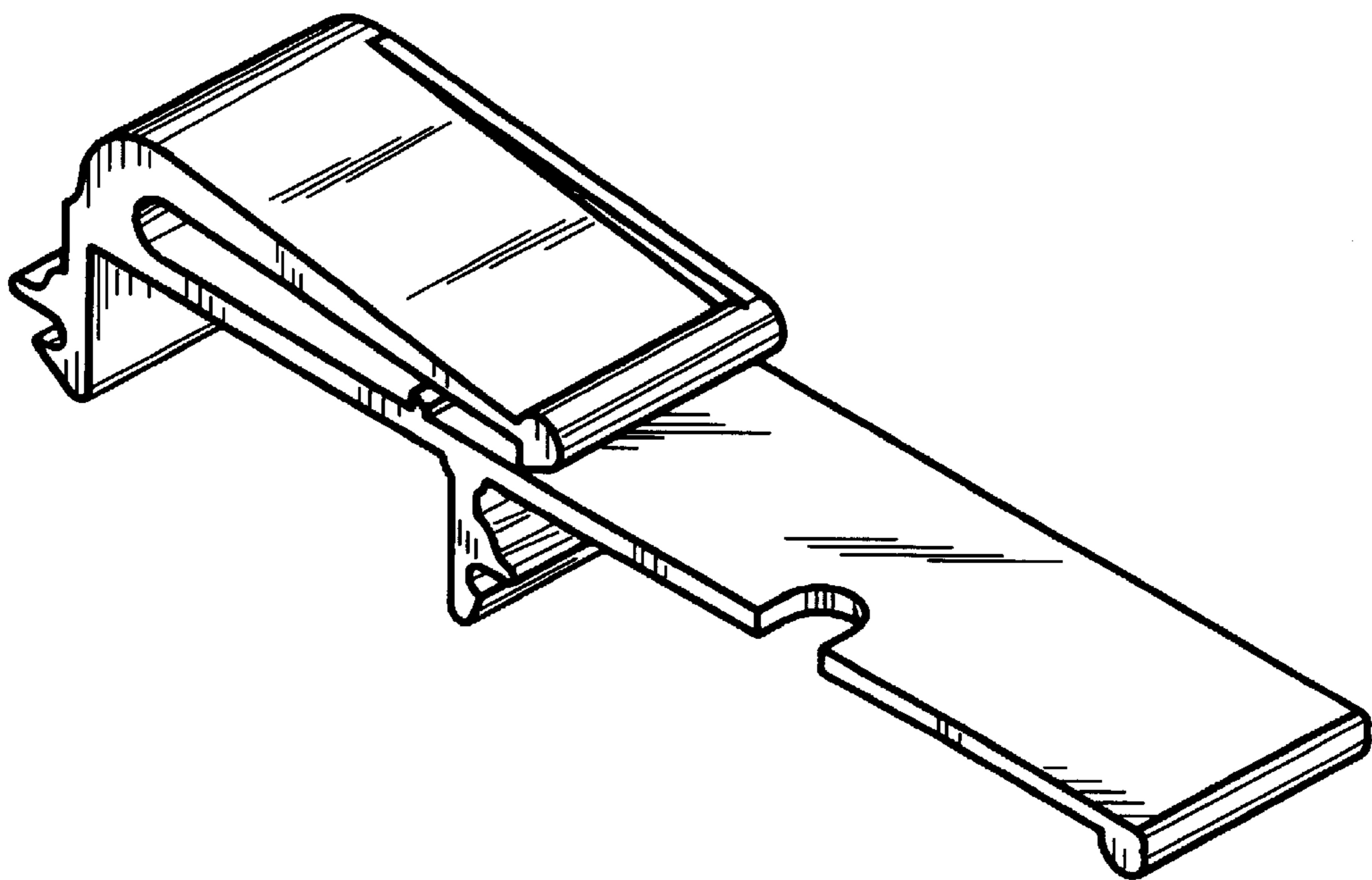
FIG. 8 is a rear elevation.

**1 Claim, 3 Drawing Sheets**

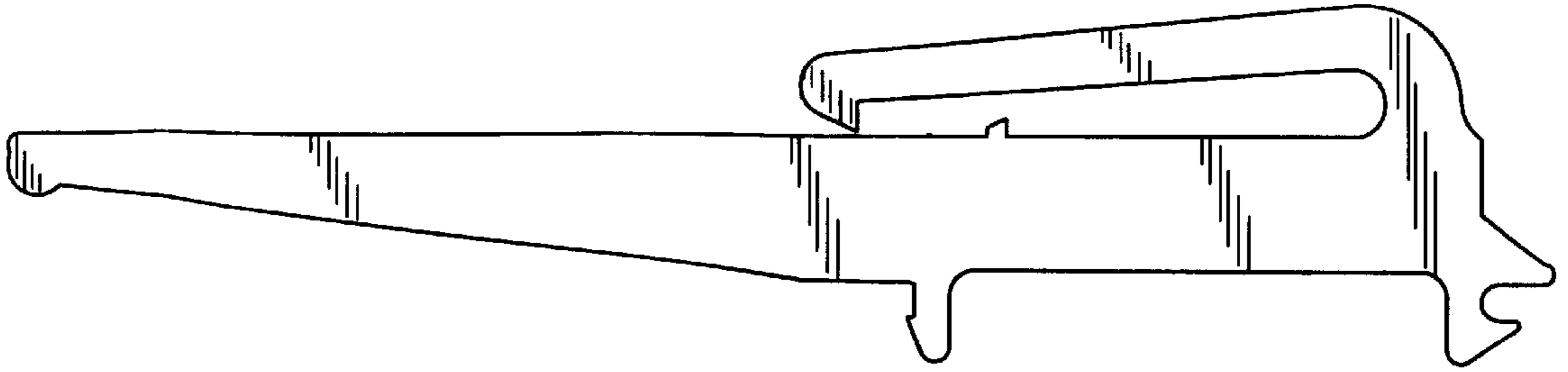




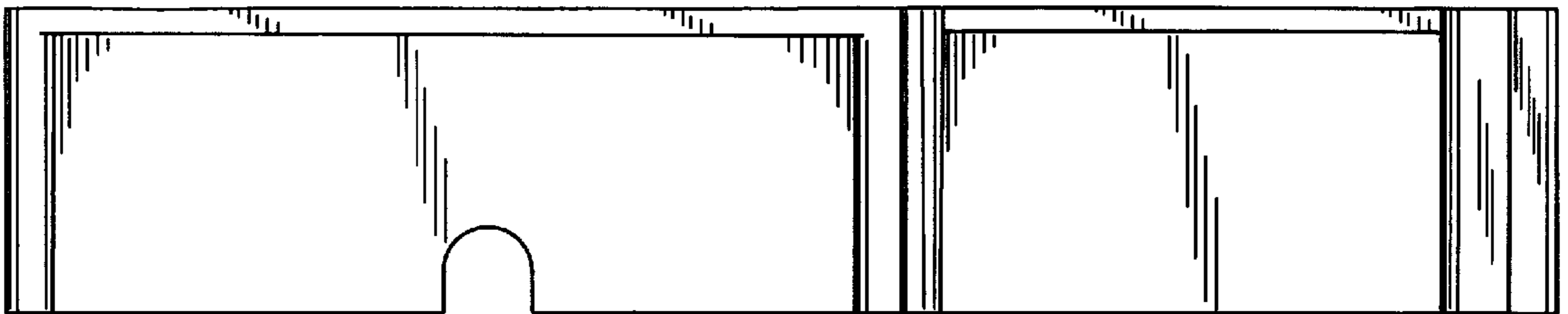
**Fig. 1**



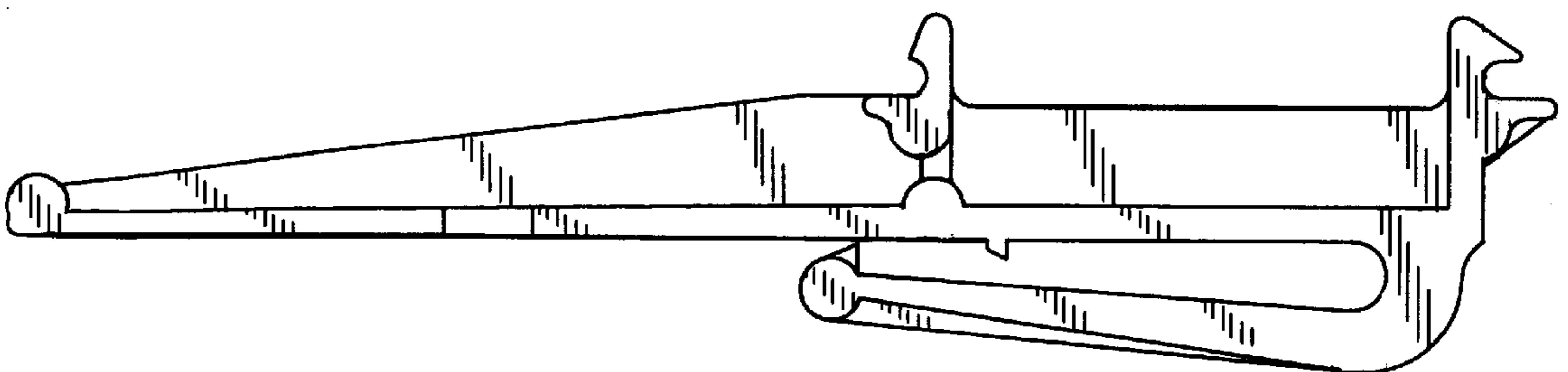
**Fig. 2**



**Fig. 3**

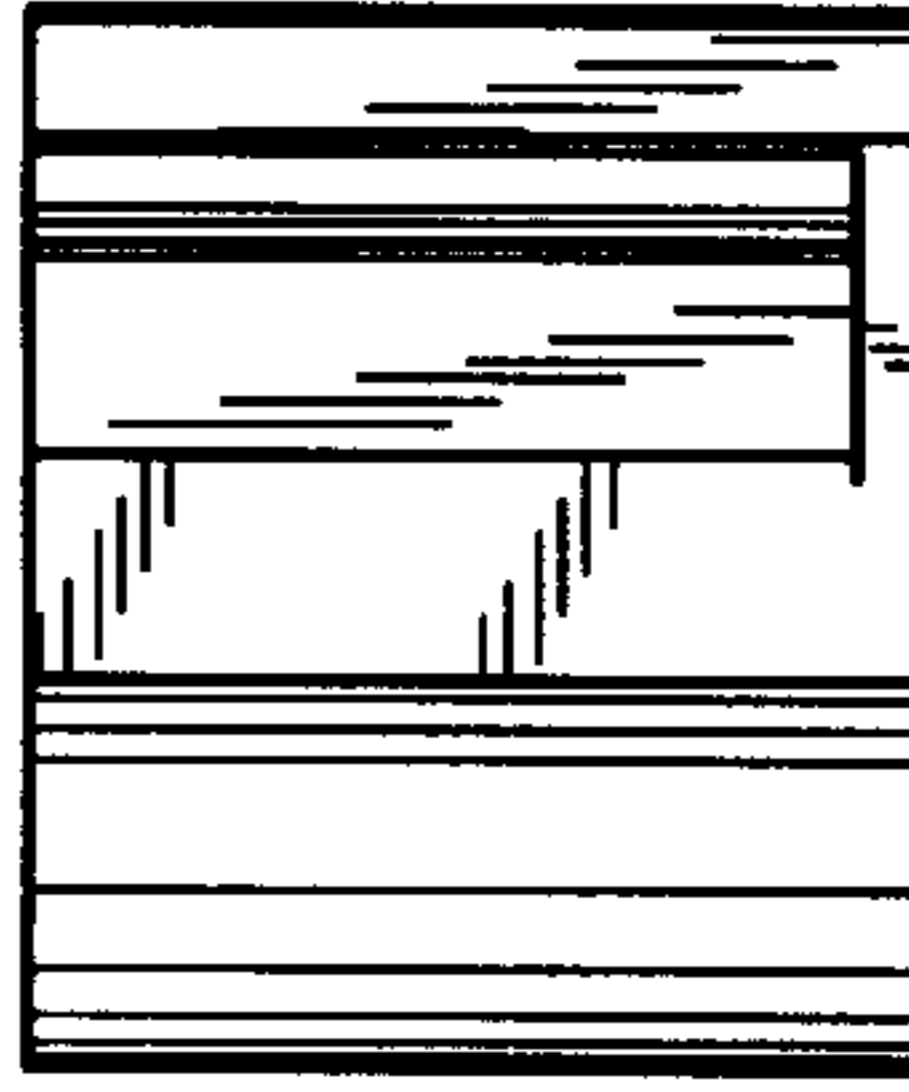


**Fig. 4**



**Fig. 5**

**Fig. 6**



**Fig. 7**



**Fig. 8**

