



US00D418400S

United States Patent [19]

Juska

[11] **Patent Number: Des. 418,400**

[45] **Date of Patent: ** Jan. 4, 2000**

[54] **NAIL**

[75] **Inventor: Donald D. Juska, Winchester, Ohio**

[73] **Assignee: Senco Products, Inc., Cincinnati, Ohio**

[**] **Term: 14 Years**

[21] **Appl. No.: 29/093,100**

[22] **Filed: Sep. 3, 1998**

[51] **LOC (7) Cl. 08-08**

[52] **U.S. Cl. D8/391**

[58] **Field of Search D8/387, 391; 411/403, 411/470**

[56] **References Cited**

U.S. PATENT DOCUMENTS

2,266,432 12/1941 Morin et al. D8/391
3,019,686 2/1962 Behrle D8/391 X

OTHER PUBLICATIONS

Jiangsu Nails, p. 13, nail, item circled at top of page, Aug. 1995.

Primary Examiner—Holly Baynham
Attorney, Agent, or Firm—Jerrold J. Litzinger

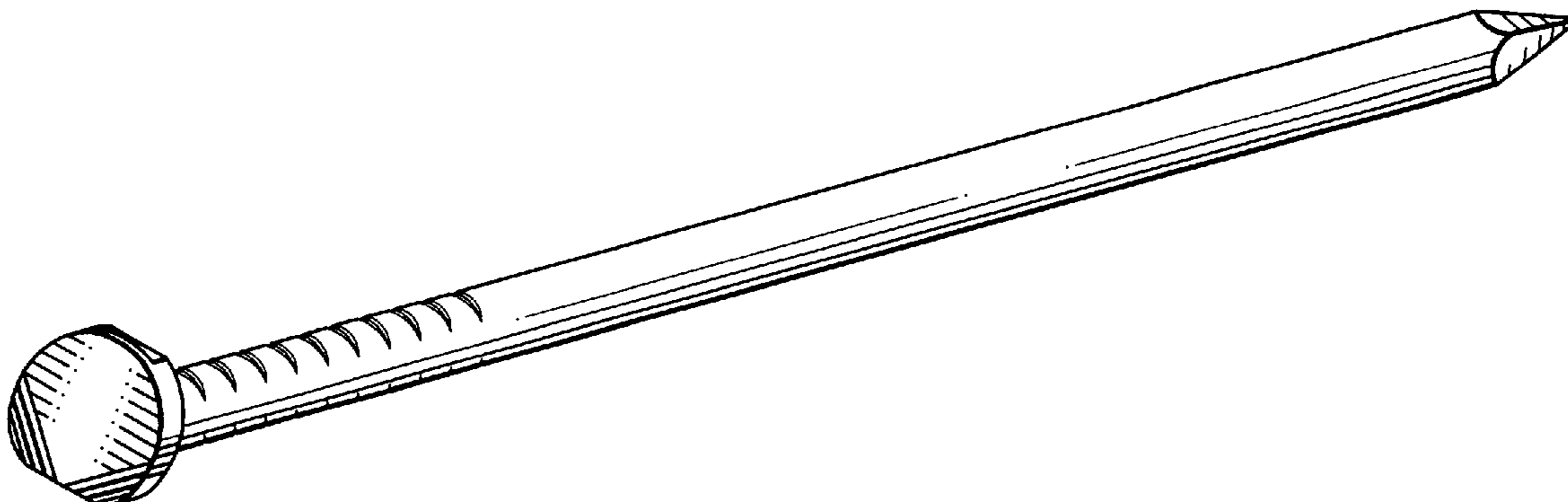
[57] **CLAIM**

The ornamental design for a nail, as shown and described.

DESCRIPTION

FIG. 1 is a perspective view of a nail showing my new design;
FIG. 2 is a bottom plan view thereof;
FIG. 3 is a top plan view thereof;
FIG. 4 is a front elevational view thereof;
FIG. 5 is a right side elevational view thereof; and,
FIG. 6 is a rear elevational view thereof.

1 Claim, 2 Drawing Sheets



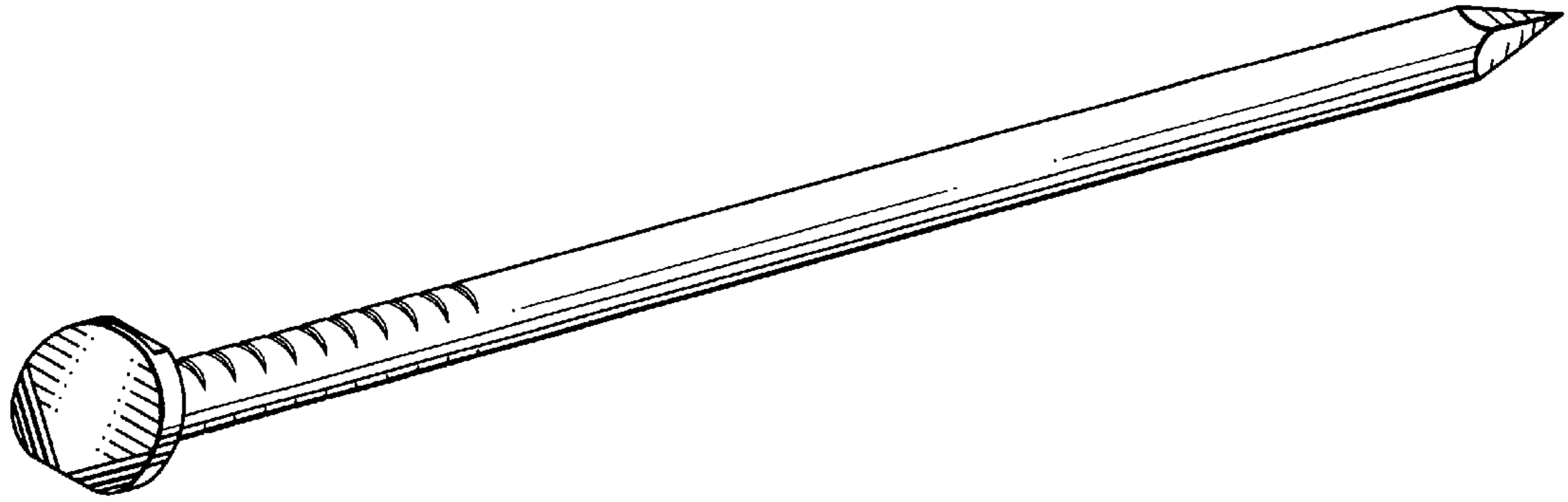


FIG. 1

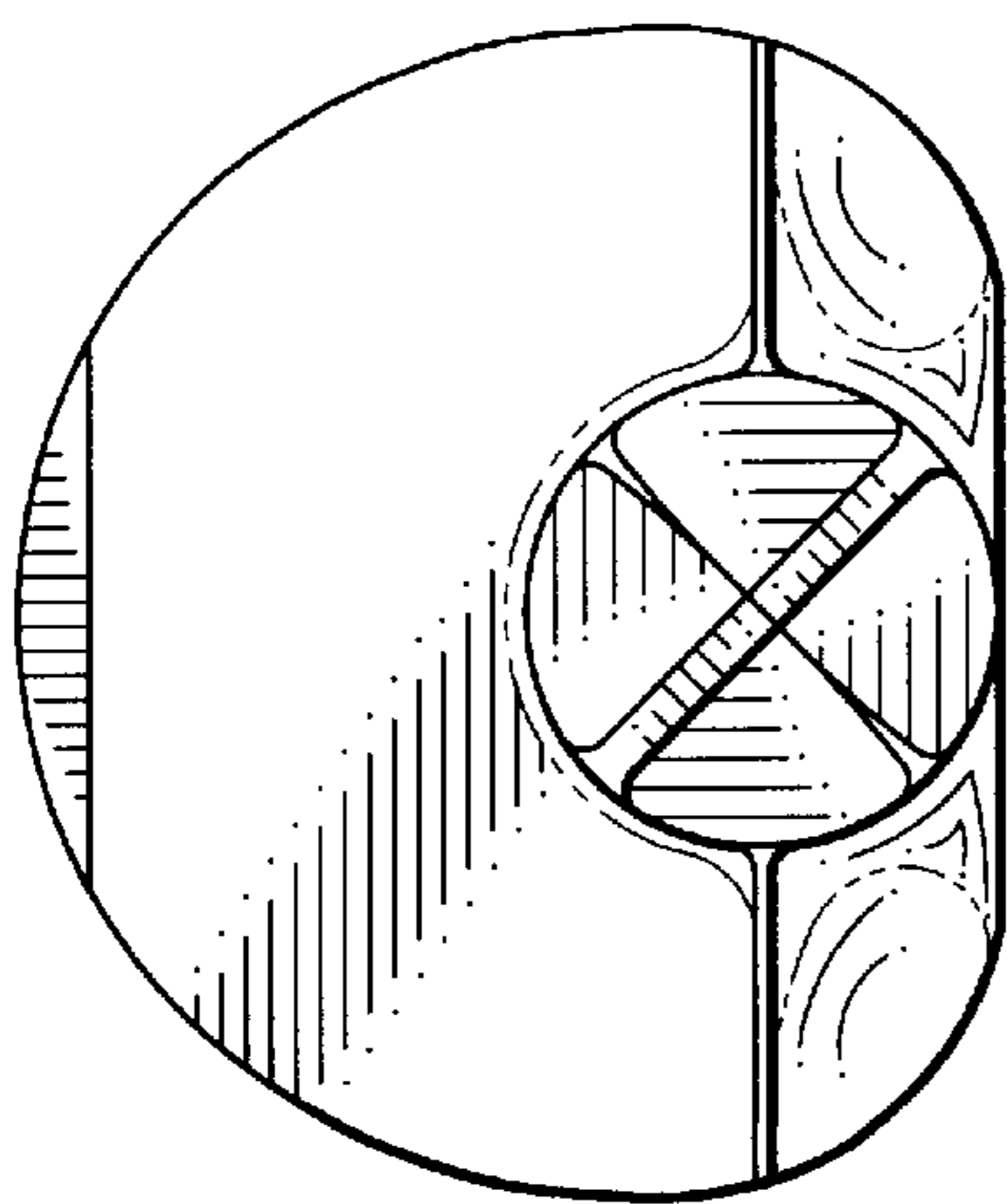


FIG. 2

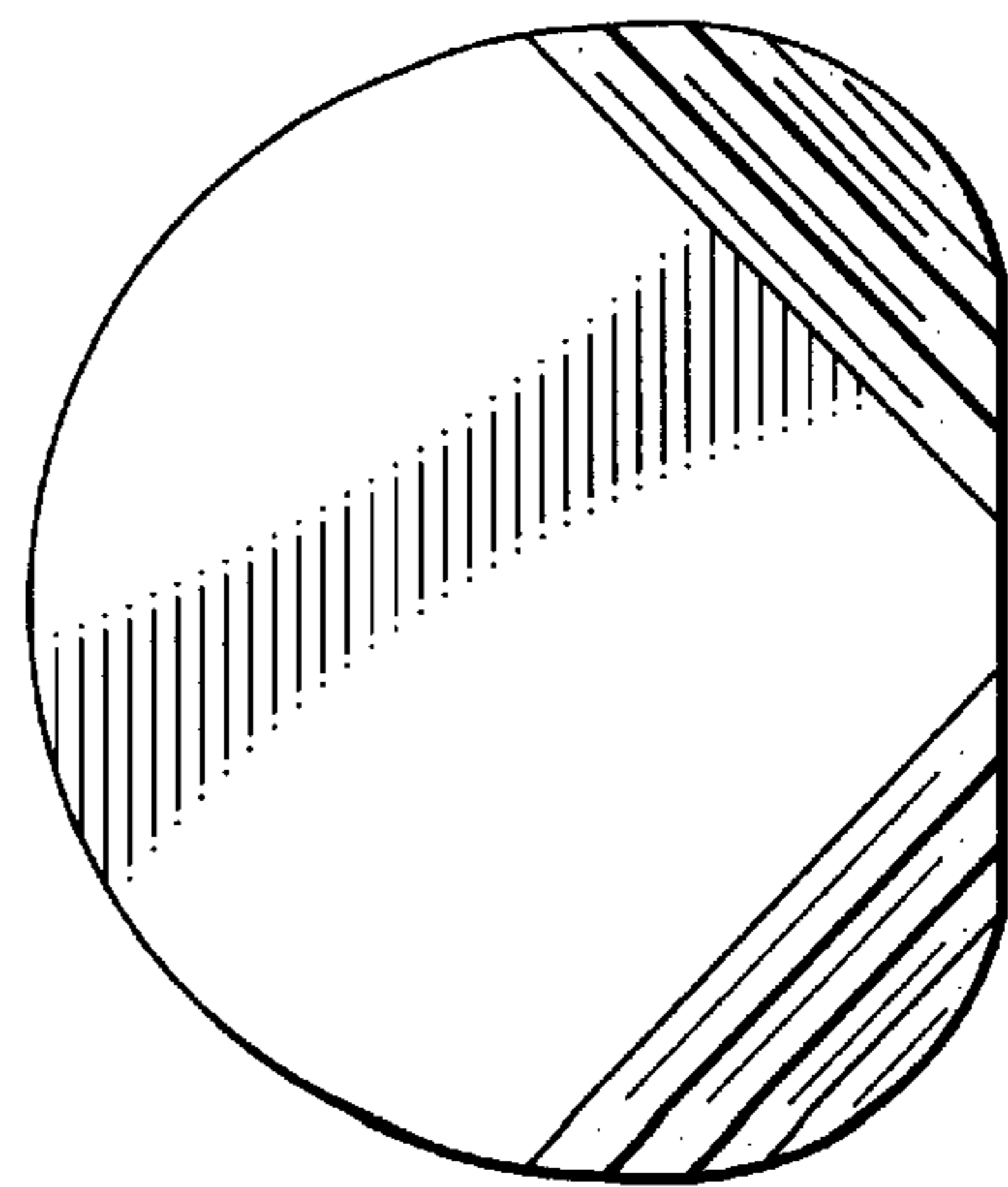


FIG. 3

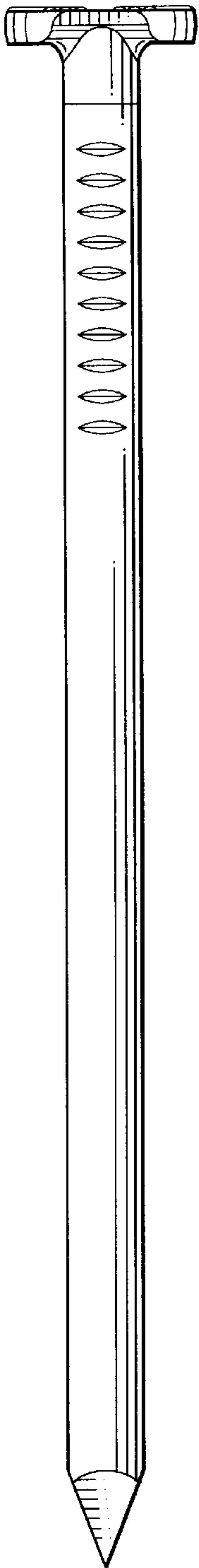


FIG. 4

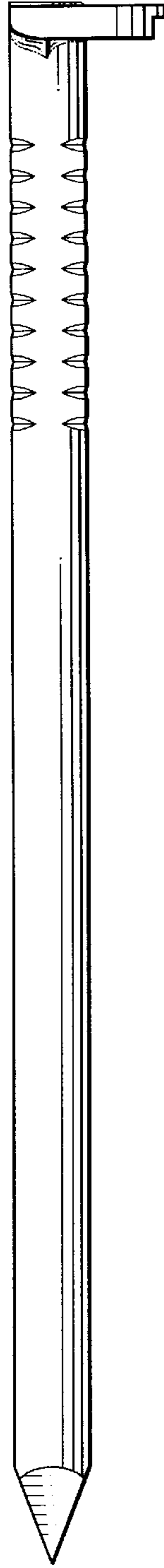


FIG. 5

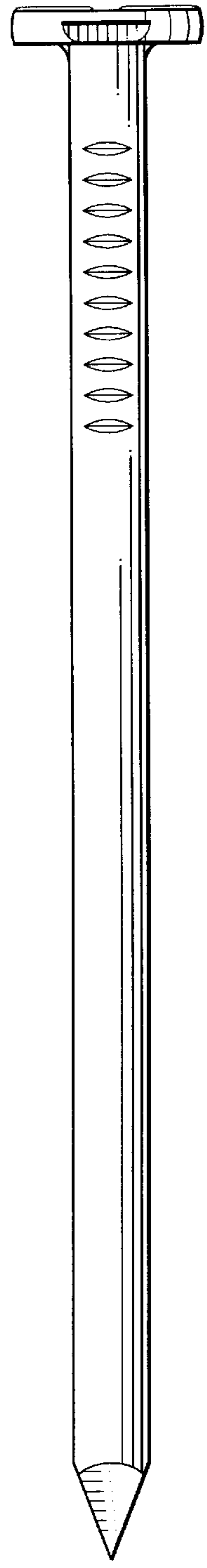


FIG. 6