



US00D418398S

United States Patent [19]
Hirano

[11] **Patent Number: Des. 418,398**
[45] **Date of Patent: ** Jan. 4, 2000**

[54] **JOINT FOR PIPE STRUCTURE**

[75] Inventor: **Seiji Hirano**, Shizuoka, Japan

[73] Assignee: **Yazaki Industrial Chemical Company, Limited**, Shizuoka-ken, Japan

[**] Term: **14 Years**

[21] Appl. No.: **29/102,330**

[22] Filed: **Mar. 22, 1999**

[51] **LOC (7) Cl.** **08-08**

[52] **U.S. Cl.** **D8/382**

[58] **Field of Search** D8/382; 403/300,
403/305-306, 205, 312, 388, 217, 169,
170, 173-174; 211/182, 68, 177-178; 248/99;
D23/262-263

[56] **References Cited**

U.S. PATENT DOCUMENTS

D. 348,723	7/1994	Carroll	D23/263
D. 381,573	7/1997	Sabounjian	D8/382
547,400	10/1895	Palmiter	403/300
2,839,320	6/1958	Hill	D8/382 X
3,502,357	3/1970	Wagner	403/205
5,150,980	9/1992	Lin	403/205 X

Primary Examiner—Holly Baynham
Attorney, Agent, or Firm—Eric P. Schellin

[57] **CLAIM**

The ornamental design for a joint for pipe structure, as shown and described.

DESCRIPTION

FIG. 1 is a top, front, and right side perspective view of a joint for pipe structure showing my new design;
FIG. 2 is a top plan view;
FIG. 3 is a front elevational view;
FIG. 4 is a right side elevational view;
FIG. 5 is a rear elevational view;
FIG. 6 is a left side elevational view;
FIG. 7 is a cross sectional view taken in the direction of the arrows on line 7—7 of FIG. 2;
FIG. 8 is a cross sectional view taken in the direction of the arrows on line 8—8 of FIG. 3;
FIG. 9 is a reduced scale environmental perspective view with the broken line showing of a pipe being for illustrative purposes and forming no part of the claimed design; and,
FIG. 10 is a reduced scale environmental perspective view with the broken line showing of additional joints and structure being for illustrative purposes and forming no part of the claimed design.

1 Claim, 5 Drawing Sheets

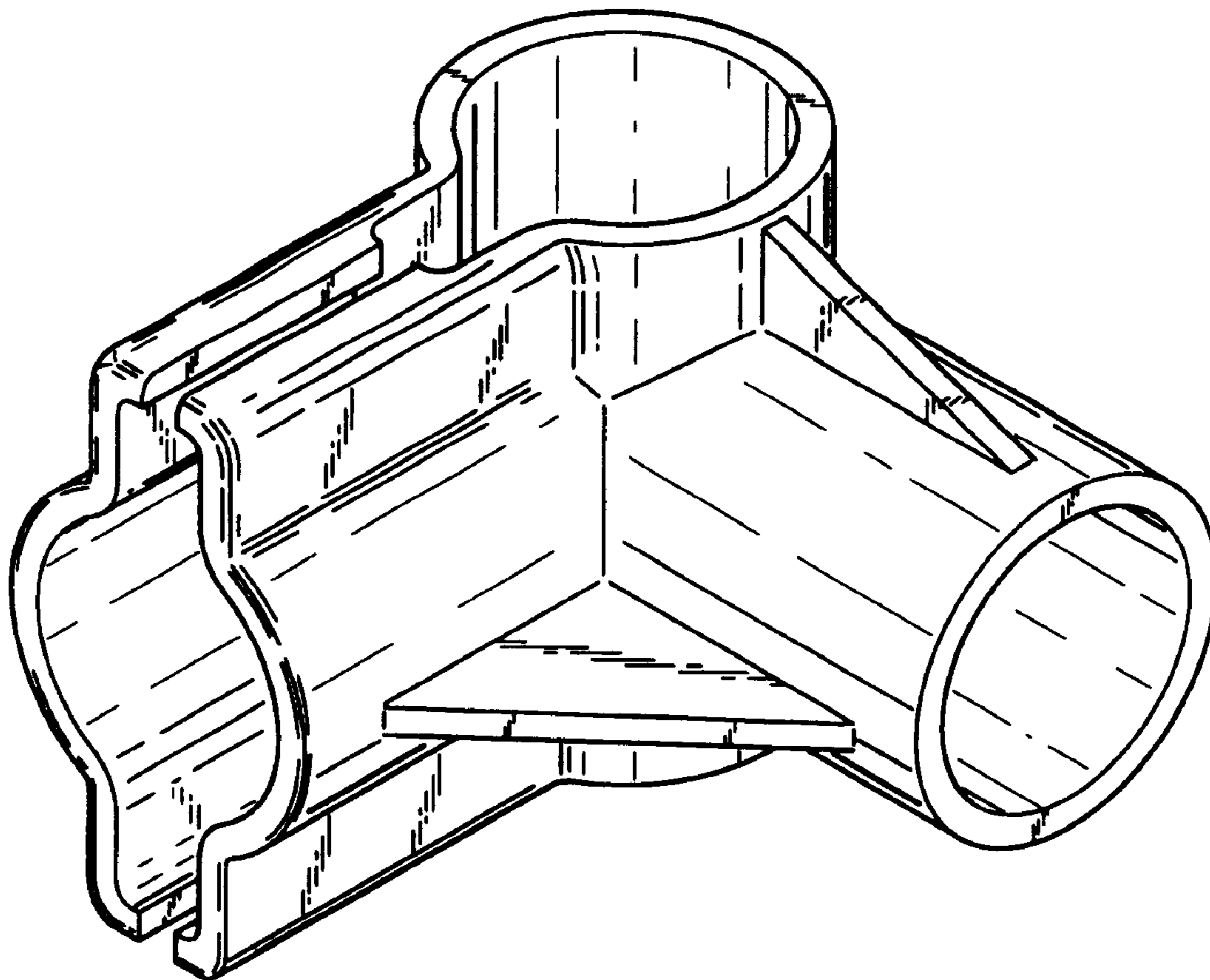


FIG. 1

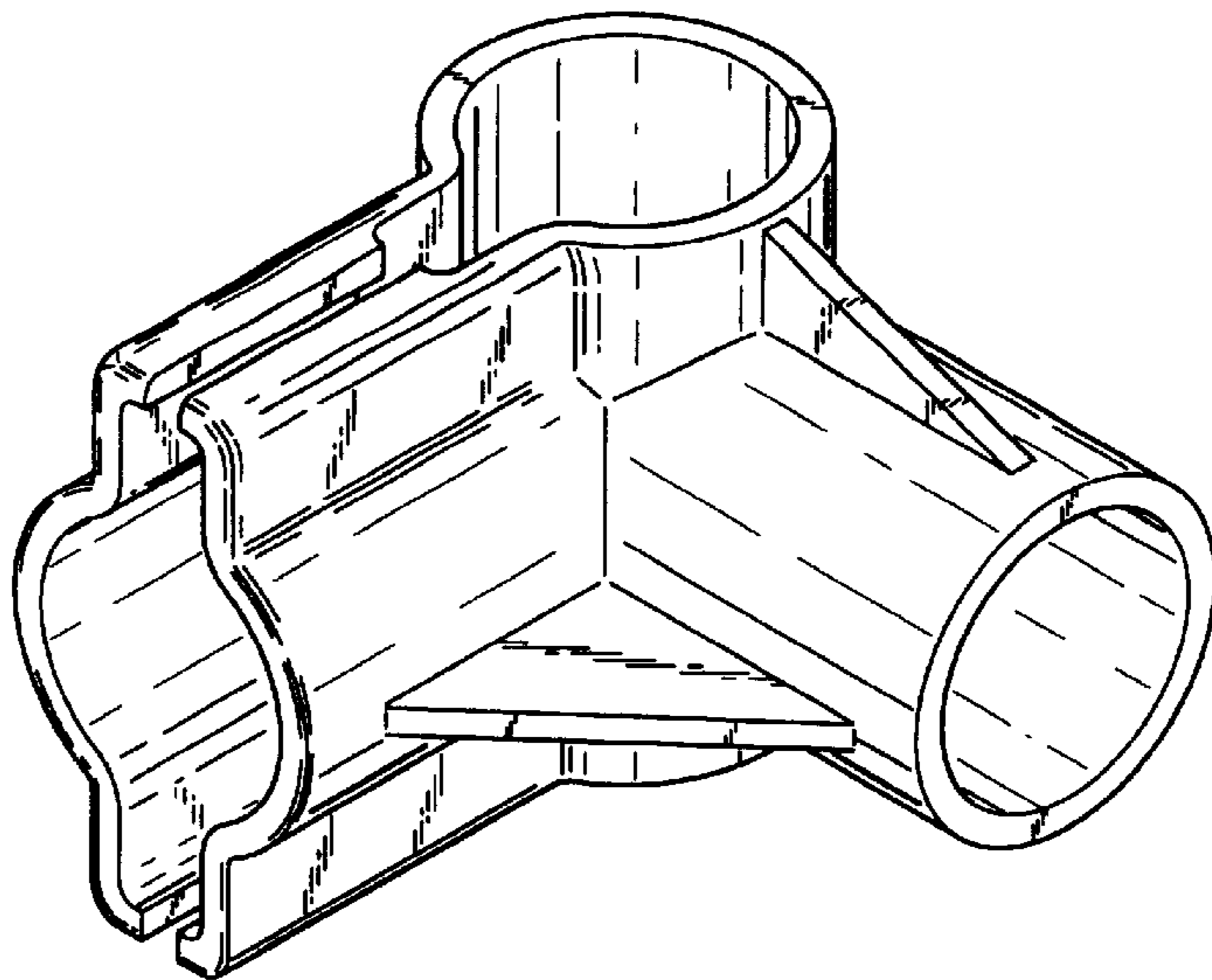


FIG. 2

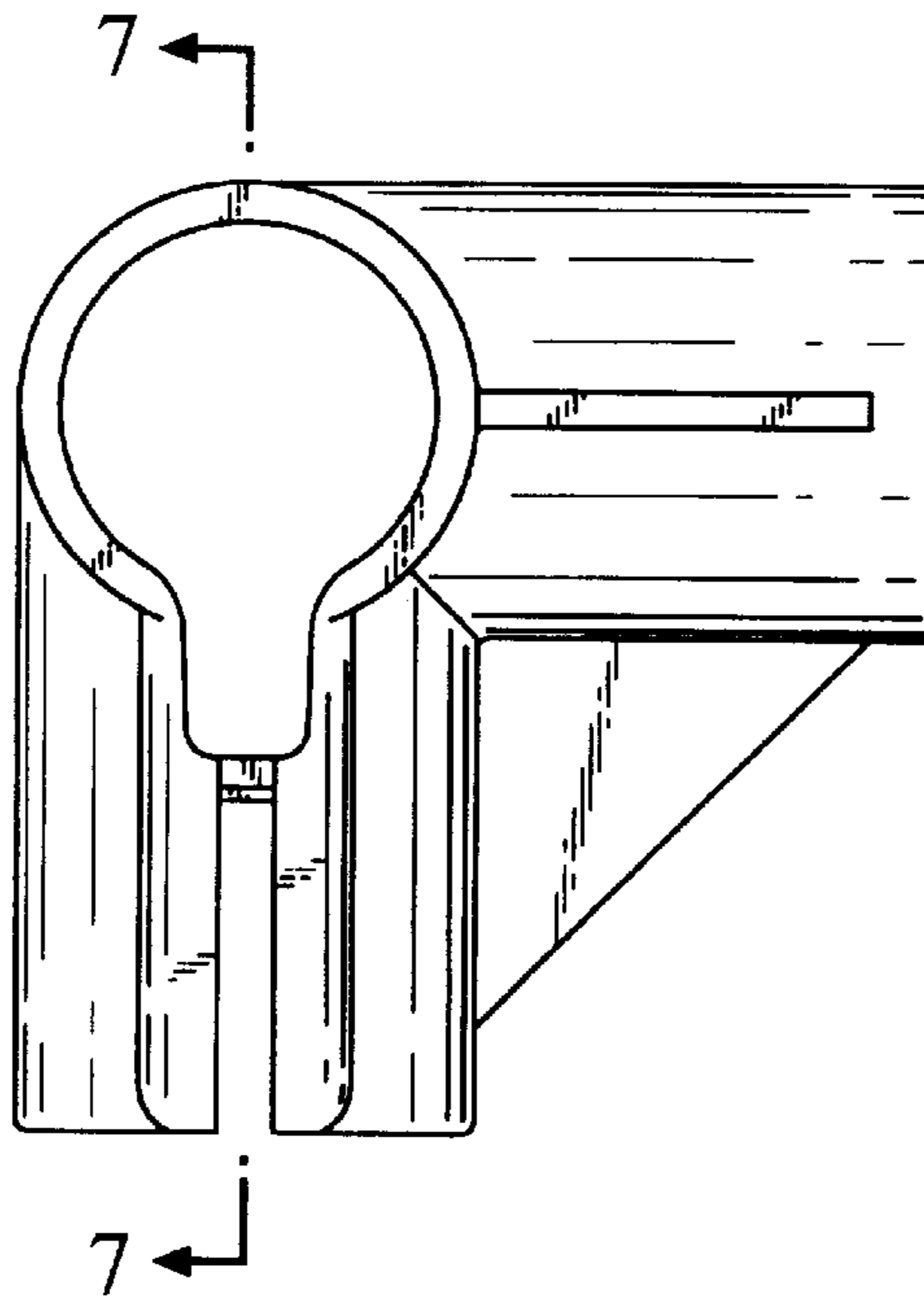


FIG. 3

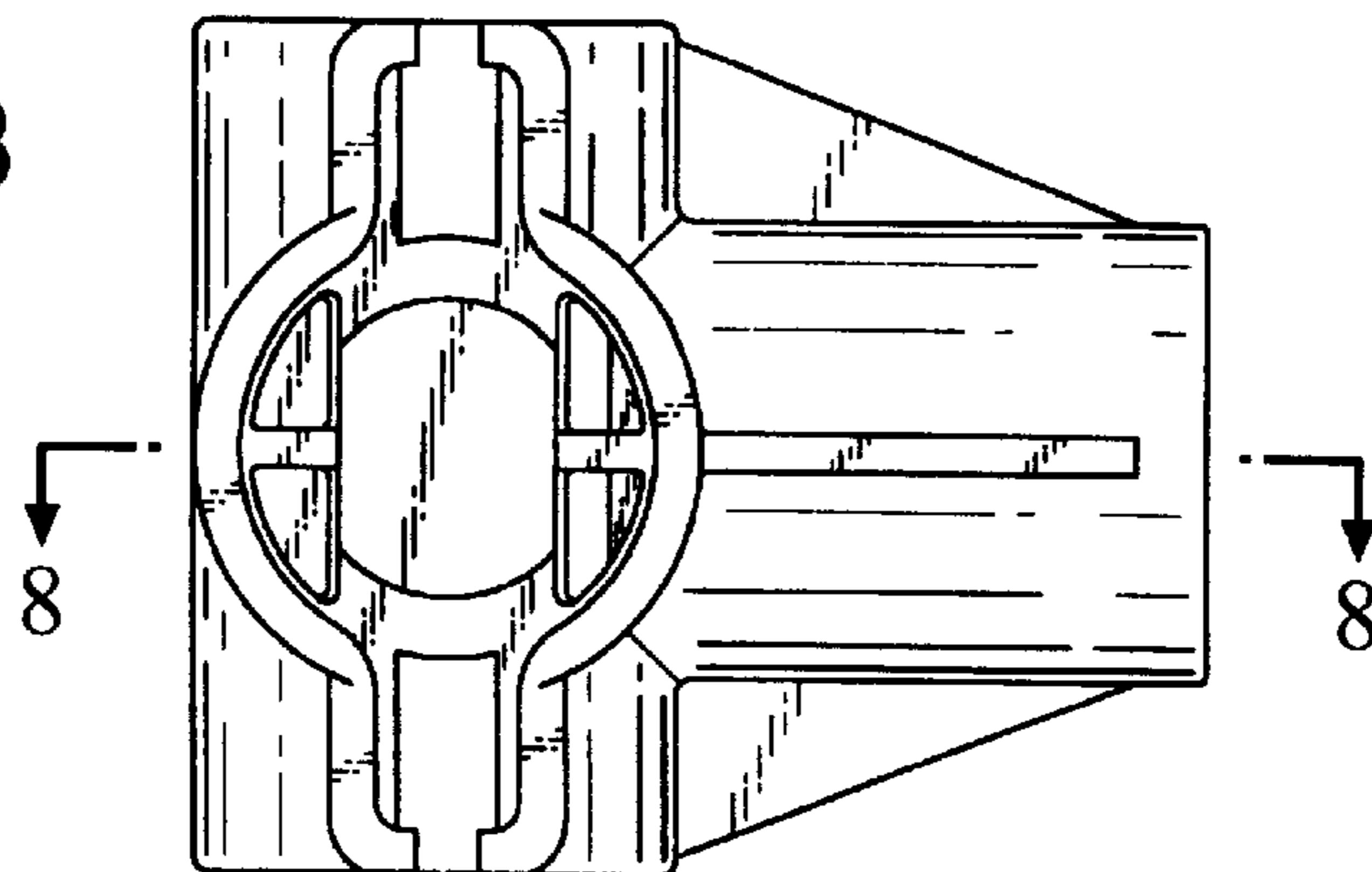


FIG. 4

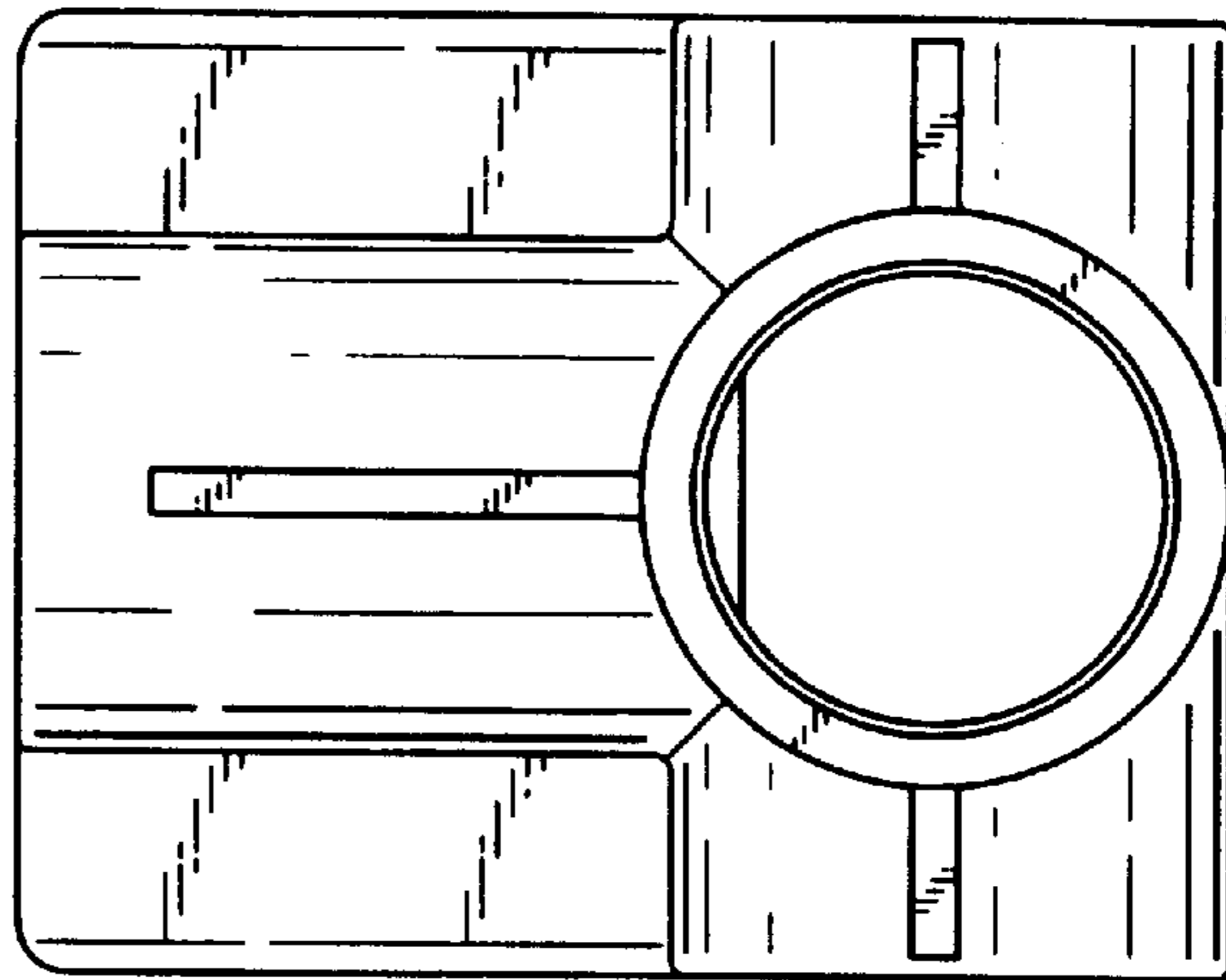


FIG. 5

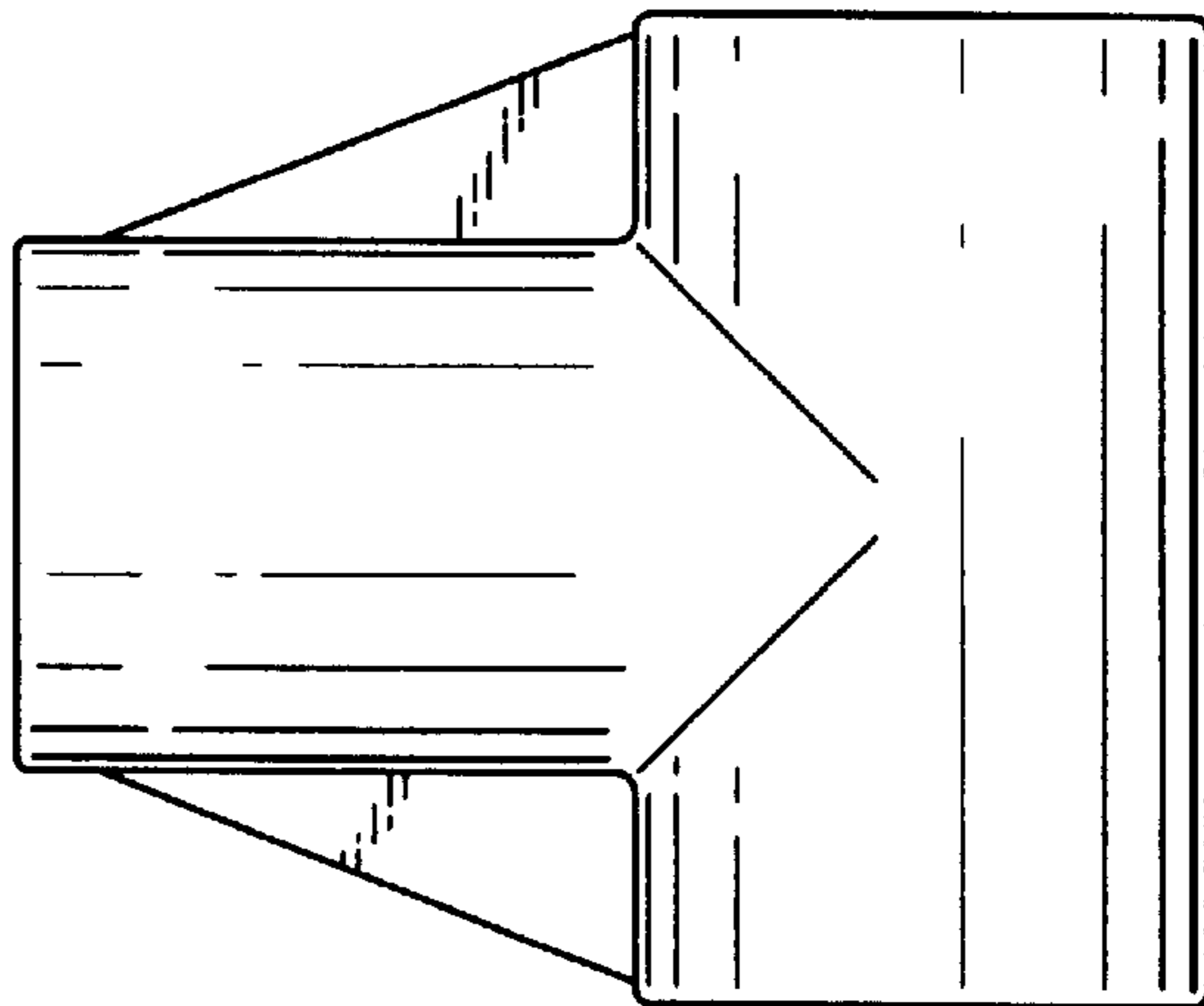


FIG. 6

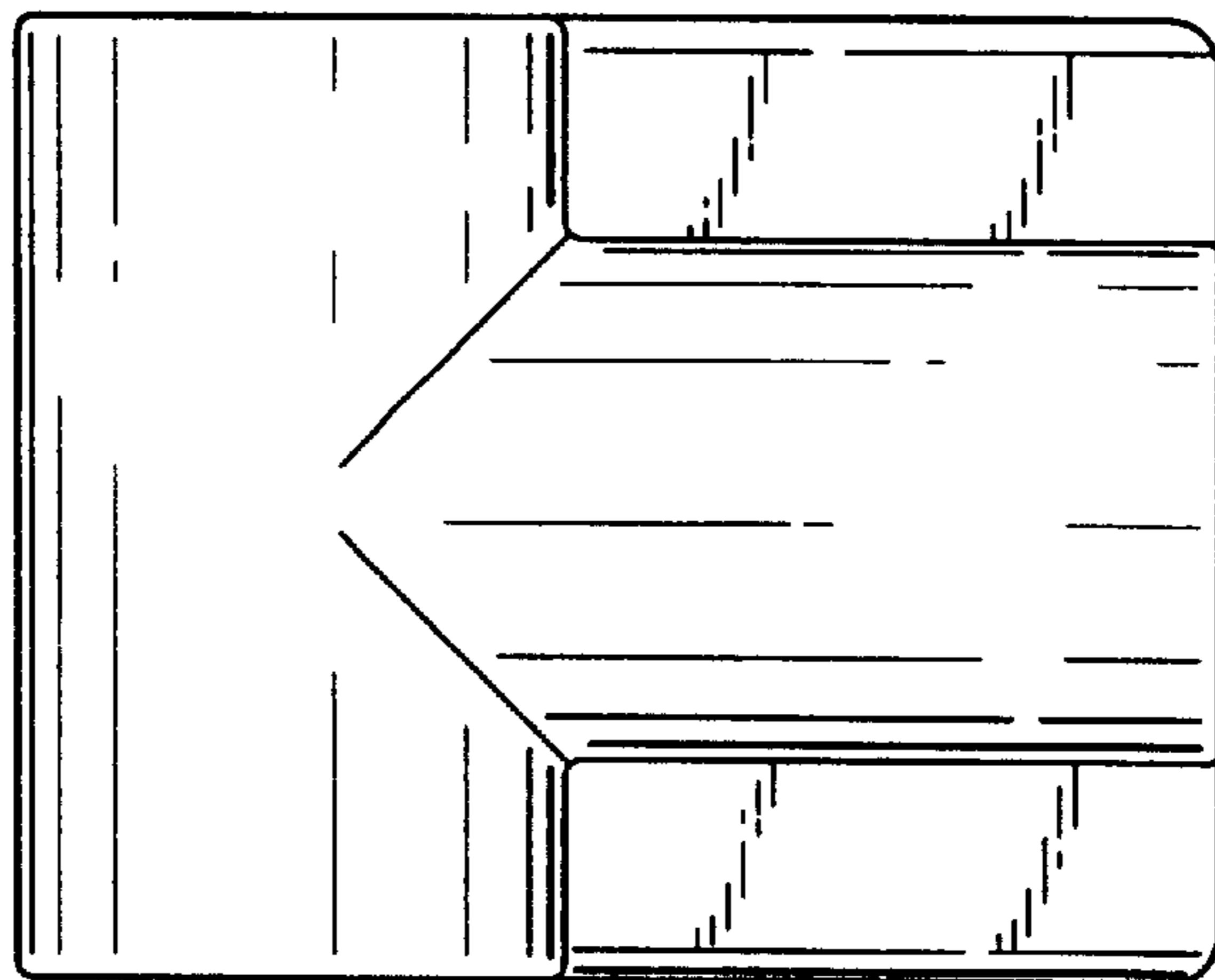


FIG. 7

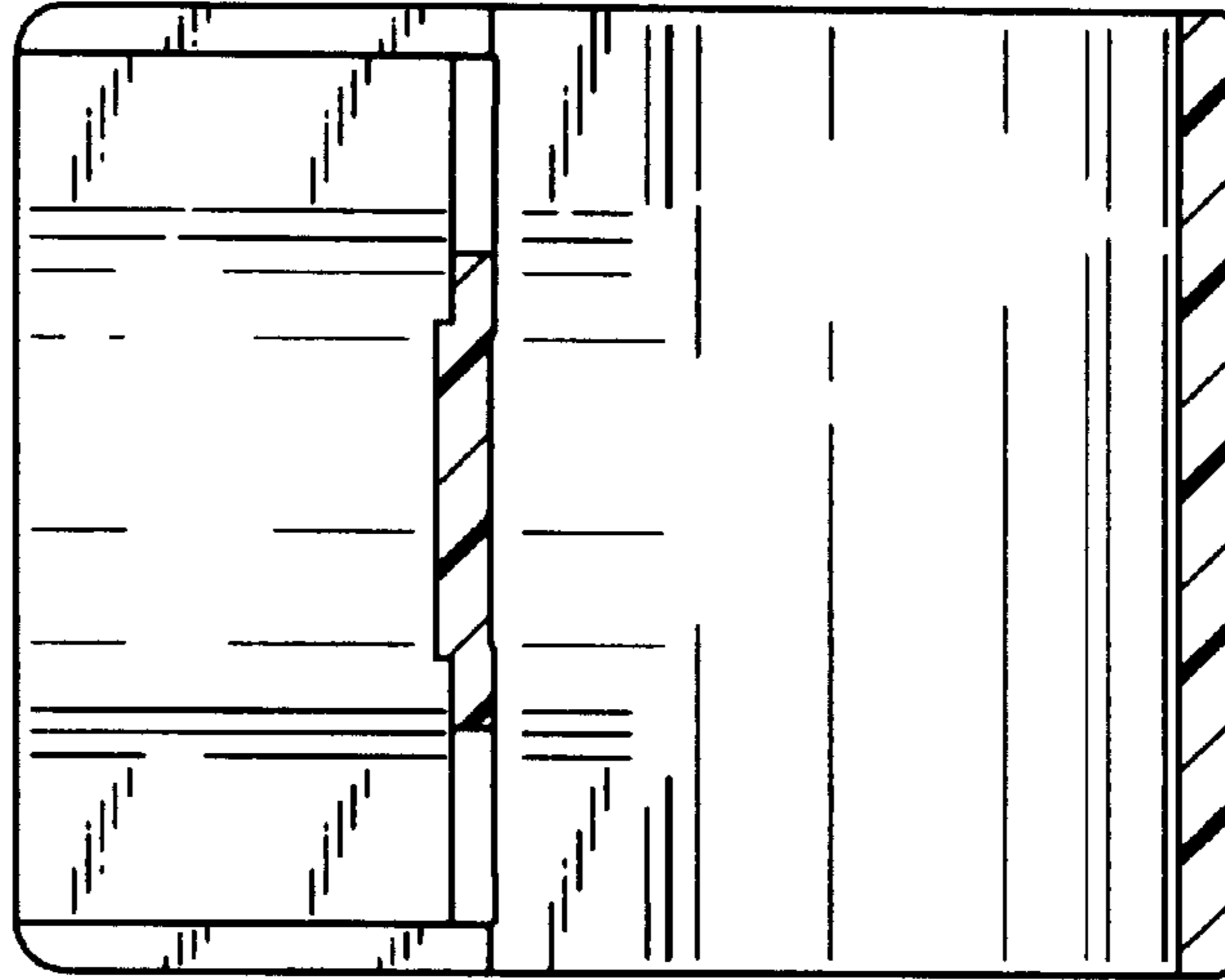


FIG. 8

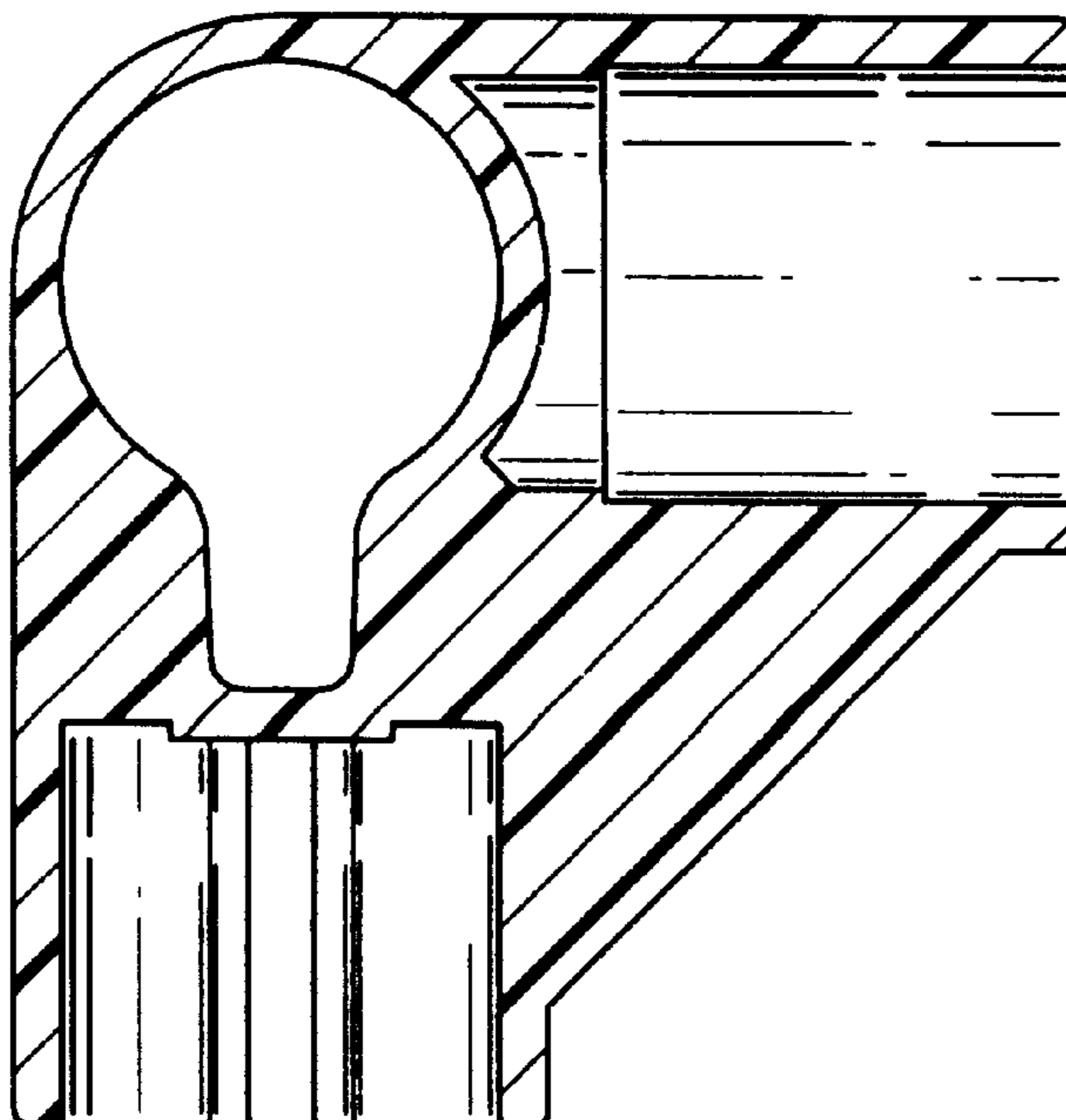


FIG. 9

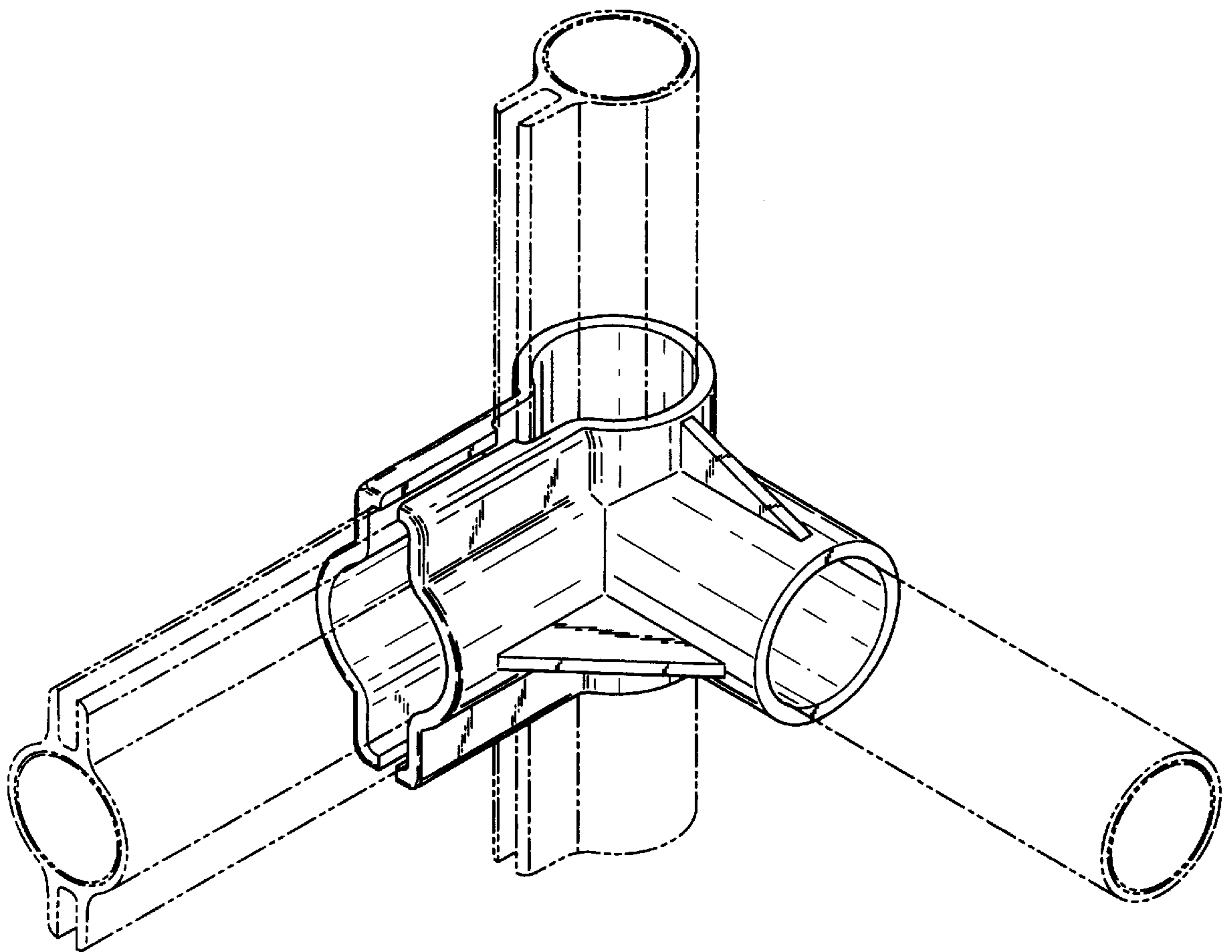


FIG. 10

