



US00D418396S

# United States Patent [19]

Hirano et al.

[11] Patent Number: Des. 418,396

[45] Date of Patent: \*\* Jan. 4, 2000

[54] **JOINT FOR PIPE STRUCTURE**

[75] Inventors: **Seiji Hirano; Asao Shoda**, both of Shizuoka, Japan

[73] Assignee: **Yazaki Industrial Chemical Co., Ltd.**, Shizuoka, Japan

[\*\*] Term: **14 Years**

[21] Appl. No.: **29/082,426**

[22] Filed: **Jan. 22, 1998**

[51] **LOC (7) Cl.** ..... **08-08**

[52] **U.S. Cl.** ..... **D8/382**

[58] **Field of Search** ..... D8/382; 403/300, 403/305-306, 205, 312, 388, 217, 169, 170, 173-174; 211/182, 68, 177-178; 248/99; D23/262-263

[56] **References Cited**

**U.S. PATENT DOCUMENTS**

D. 348,723	7/1994	Carroll	.....	D23/263
D. 381,573	7/1997	Sabounjian	.....	D8/382
547,400	10/1895	Palmiter	.....	403/300
2,839,320	6/1958	Hill	.....	D8/382 X
3,502,357	3/1970	Wagner	.....	403/205
5,150,980	9/1992	Lin	.....	403/205 X

*Primary Examiner*—Holly Baynham  
*Attorney, Agent, or Firm*—Eric P. Schellin

[57] **CLAIM**

The ornamental design for a joint for pipe structure, as shown and described.

**DESCRIPTION**

FIG. 1 is a top, front, and right side perspective view of a joint for pipe structure showing our new design;  
 FIG. 2 is a top plan view;  
 FIG. 3 is a front elevational view;  
 FIG. 4 is a left side elevational view;  
 FIG. 5 is a right side elevational view;  
 FIG. 6 is a cross sectional view taken in the direction of the arrows on line 6—6 FIG. 2;  
 FIG. 7 is a cross sectional view taken in the direction of the arrows on line 7—7 of FIG. 3;  
 FIG. 8 is a cross sectional view taken in the direction of the arrows on line 8—8 of FIG. 3;  
 FIG. 9 is a reduced scale environmental perspective view with the broken line showing of a pipe being for illustrative purposes and forming no part of the claimed design; and,  
 FIG. 10 is a reduced scale environmental perspective view with the broken line showing of additional joints and structure being for illustrative purposes and forming no part of the claimed design.

**1 Claim, 5 Drawing Sheets**

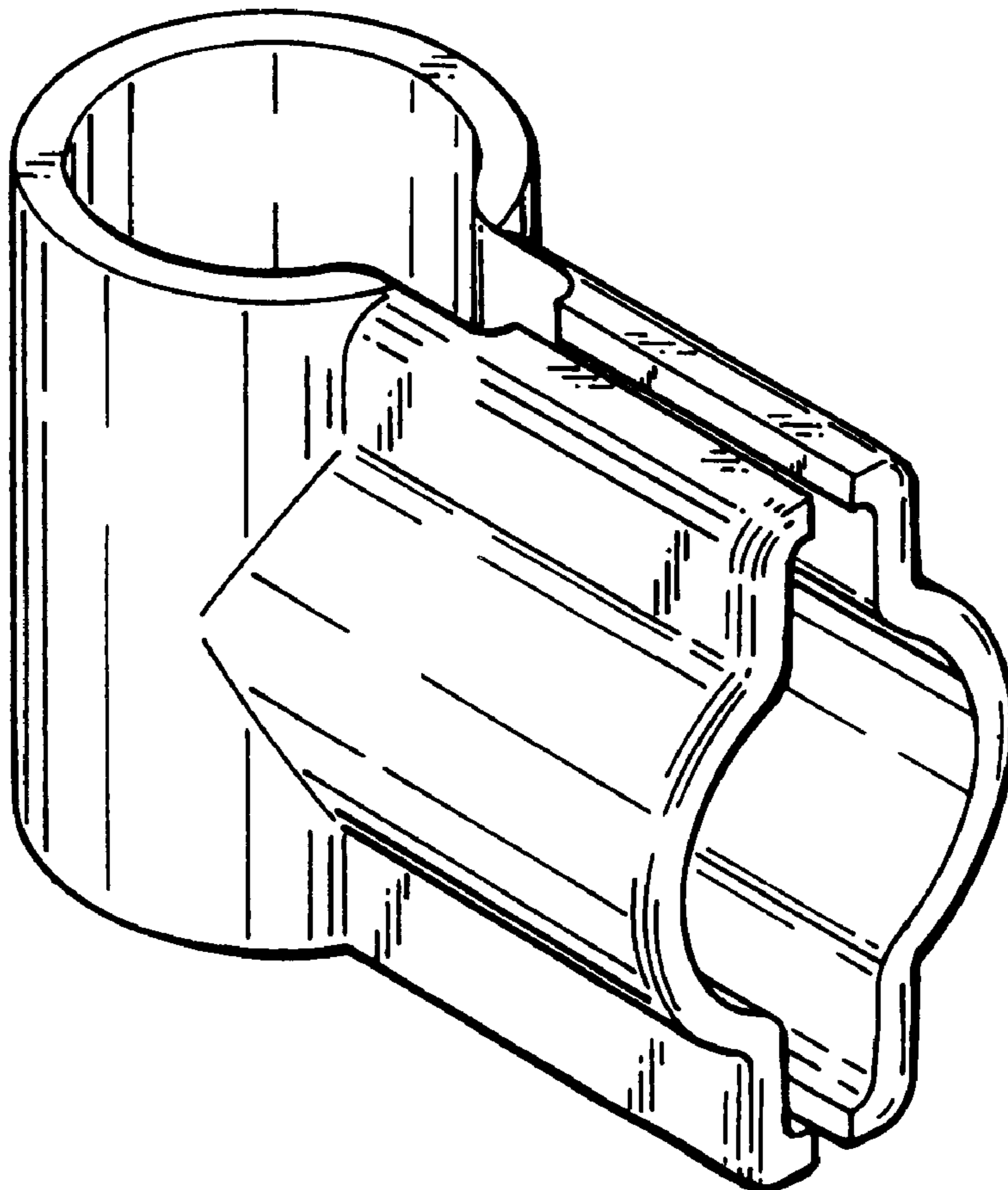


FIG. 1

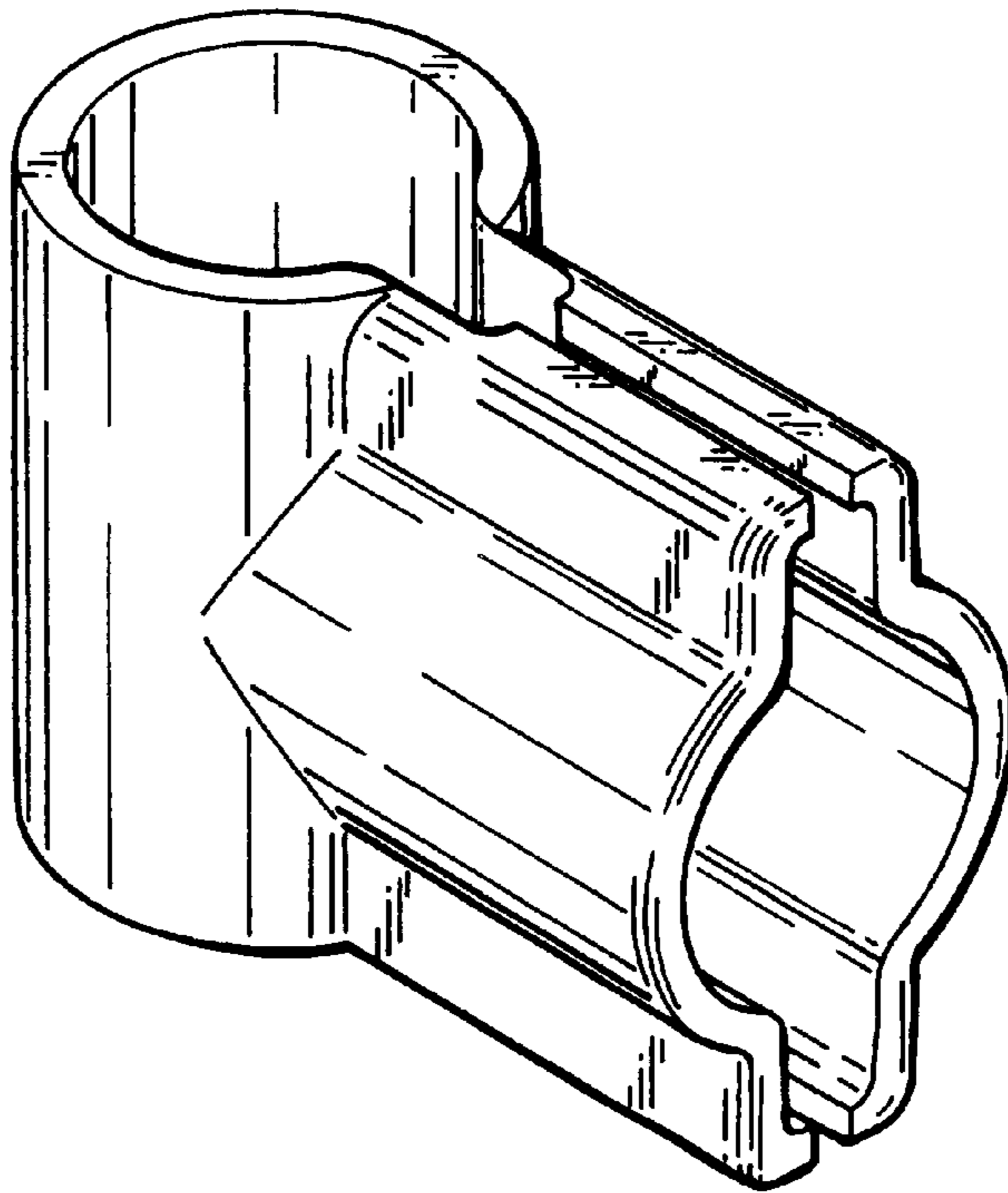


FIG. 2

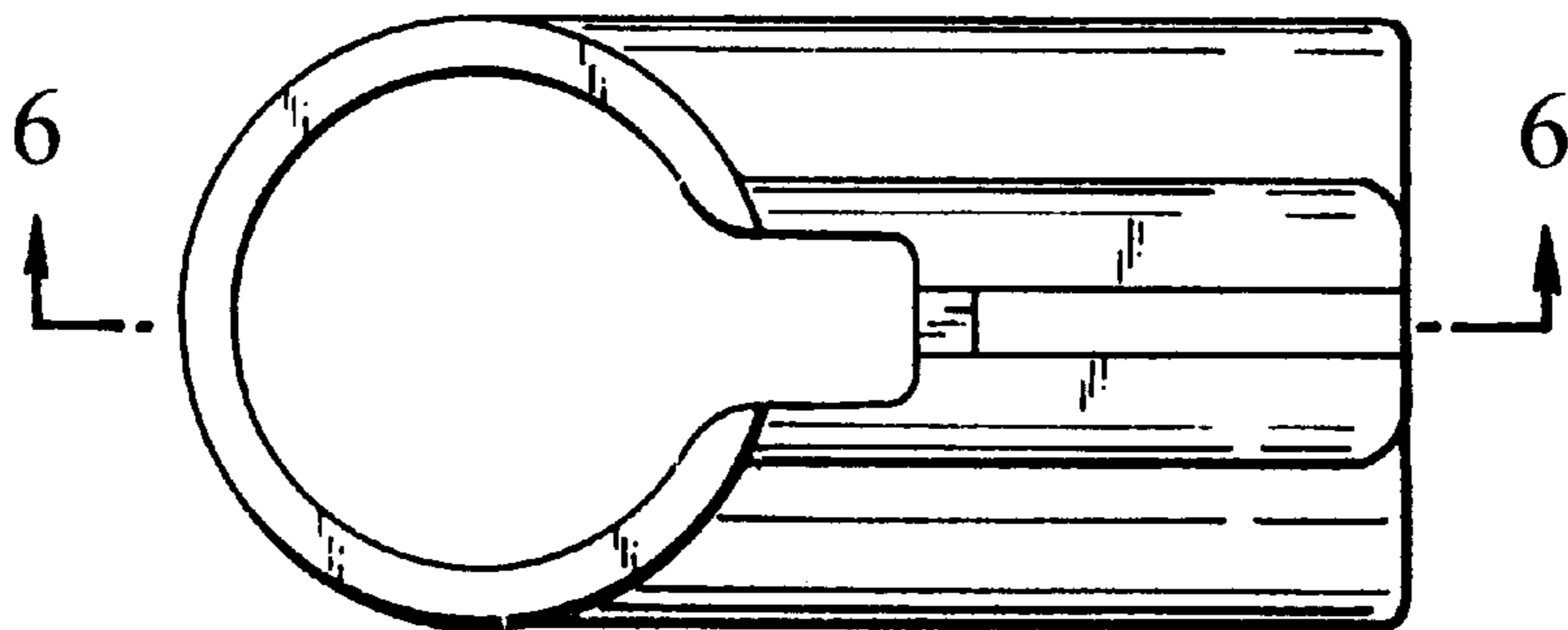


FIG. 3

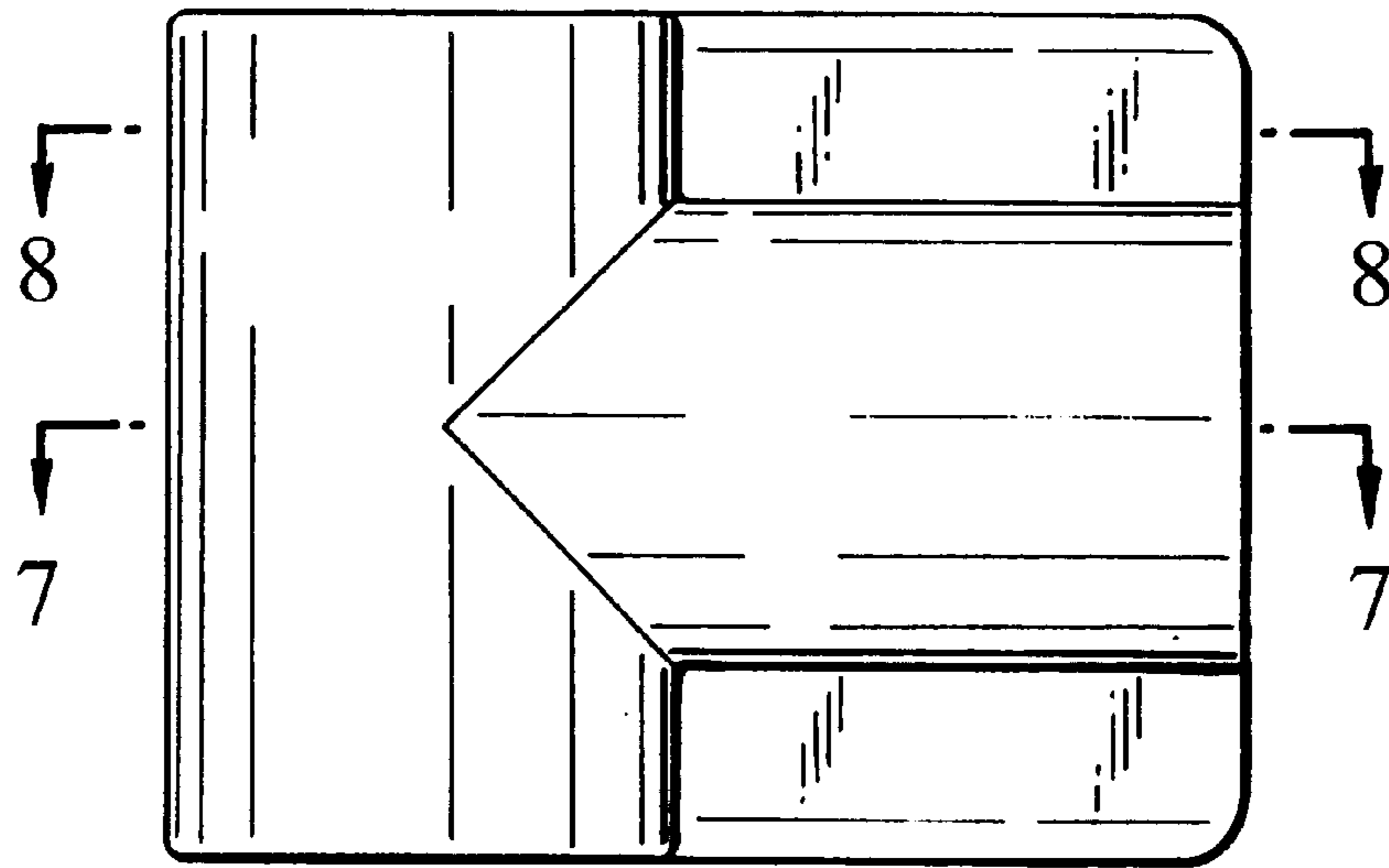


FIG. 4

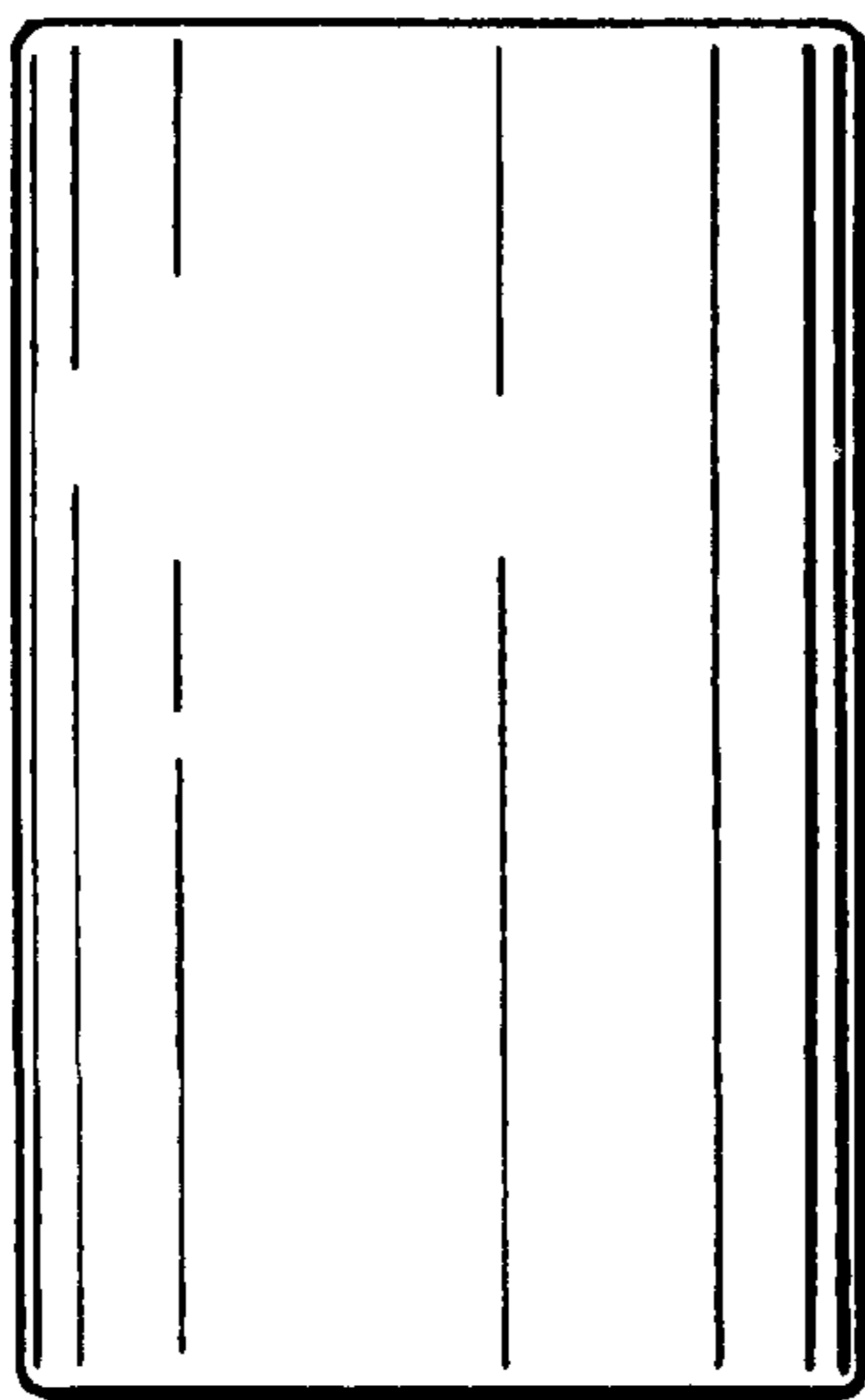


FIG. 5

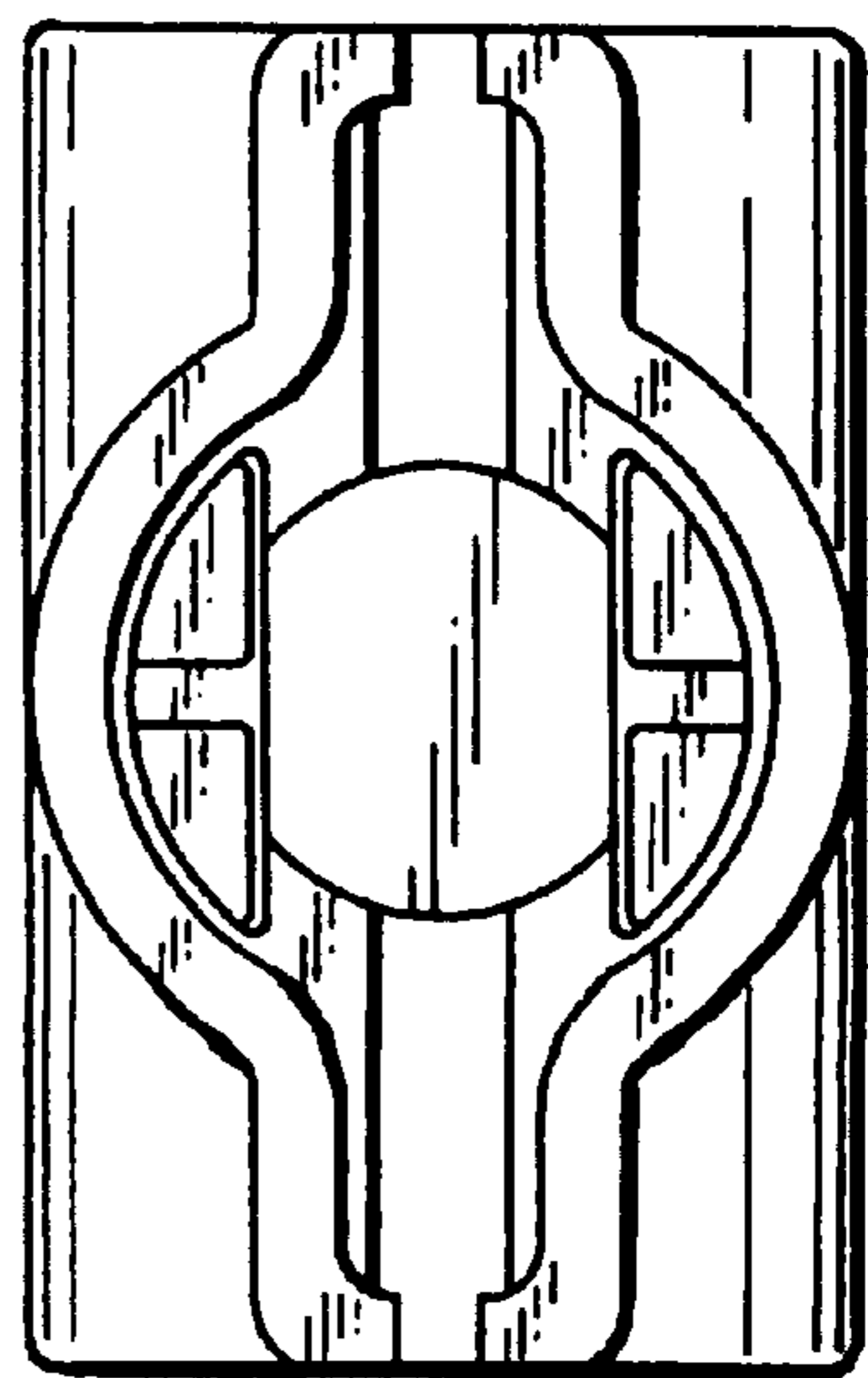


FIG. 6

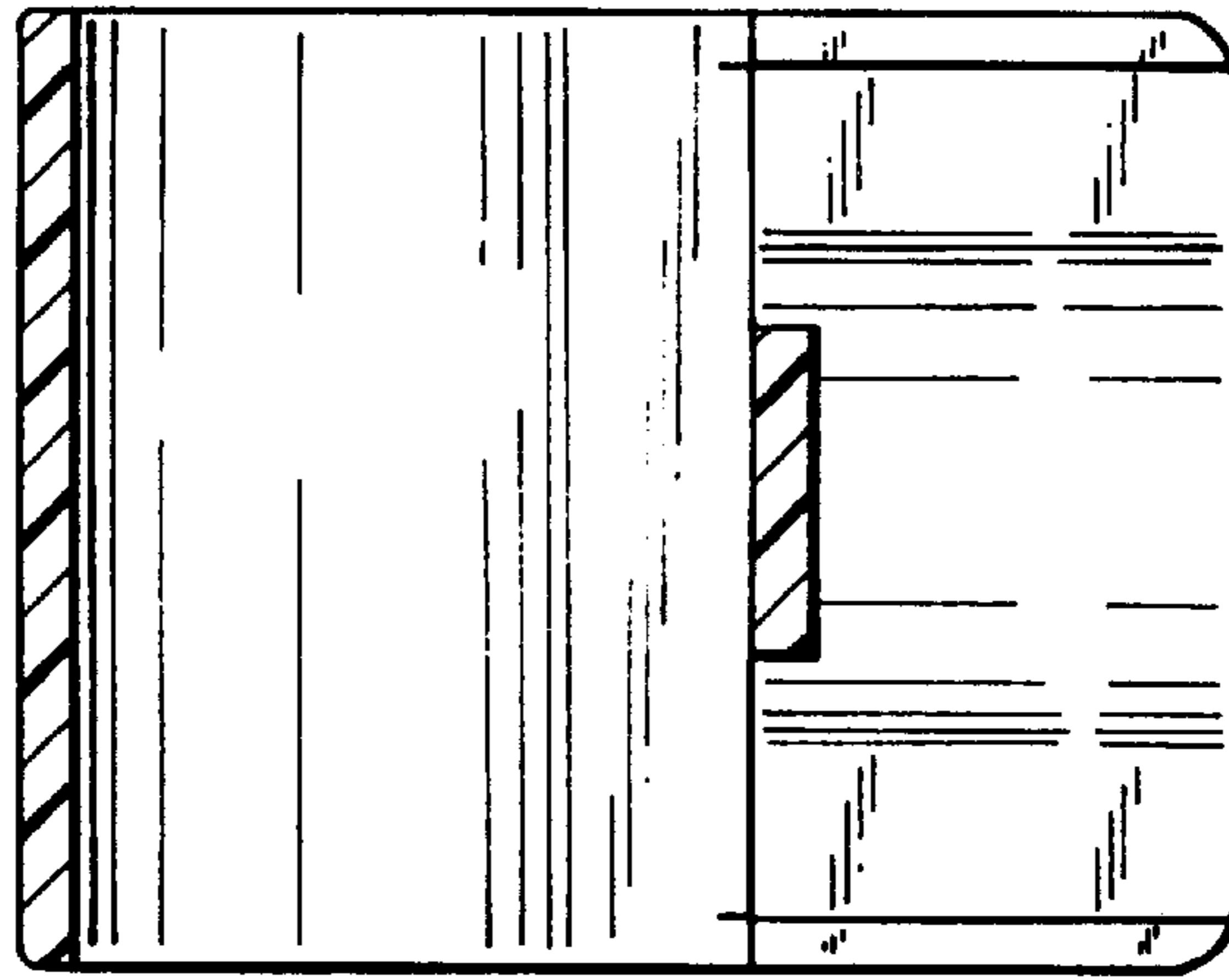


FIG. 7

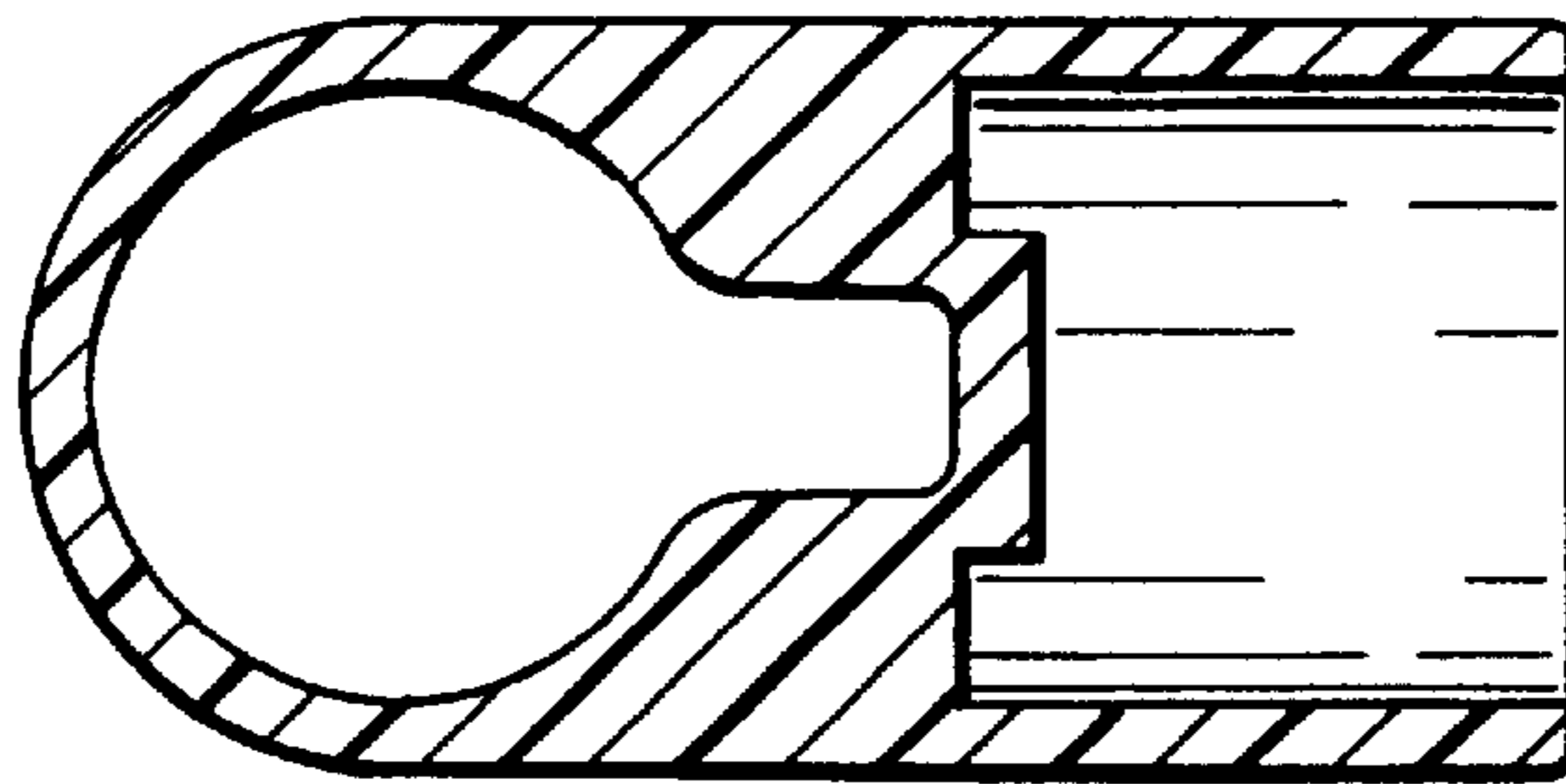


FIG. 8

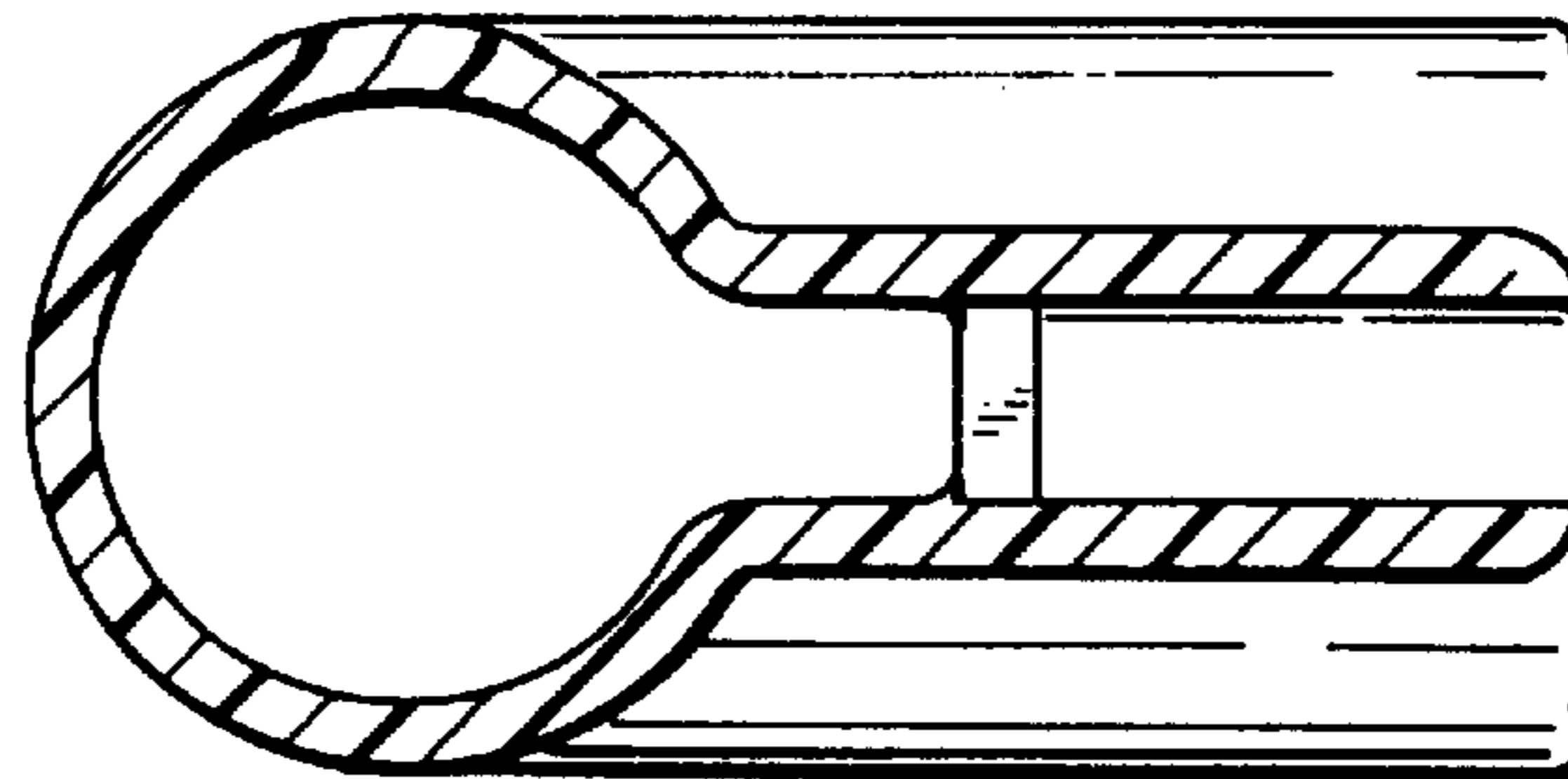


FIG. 9

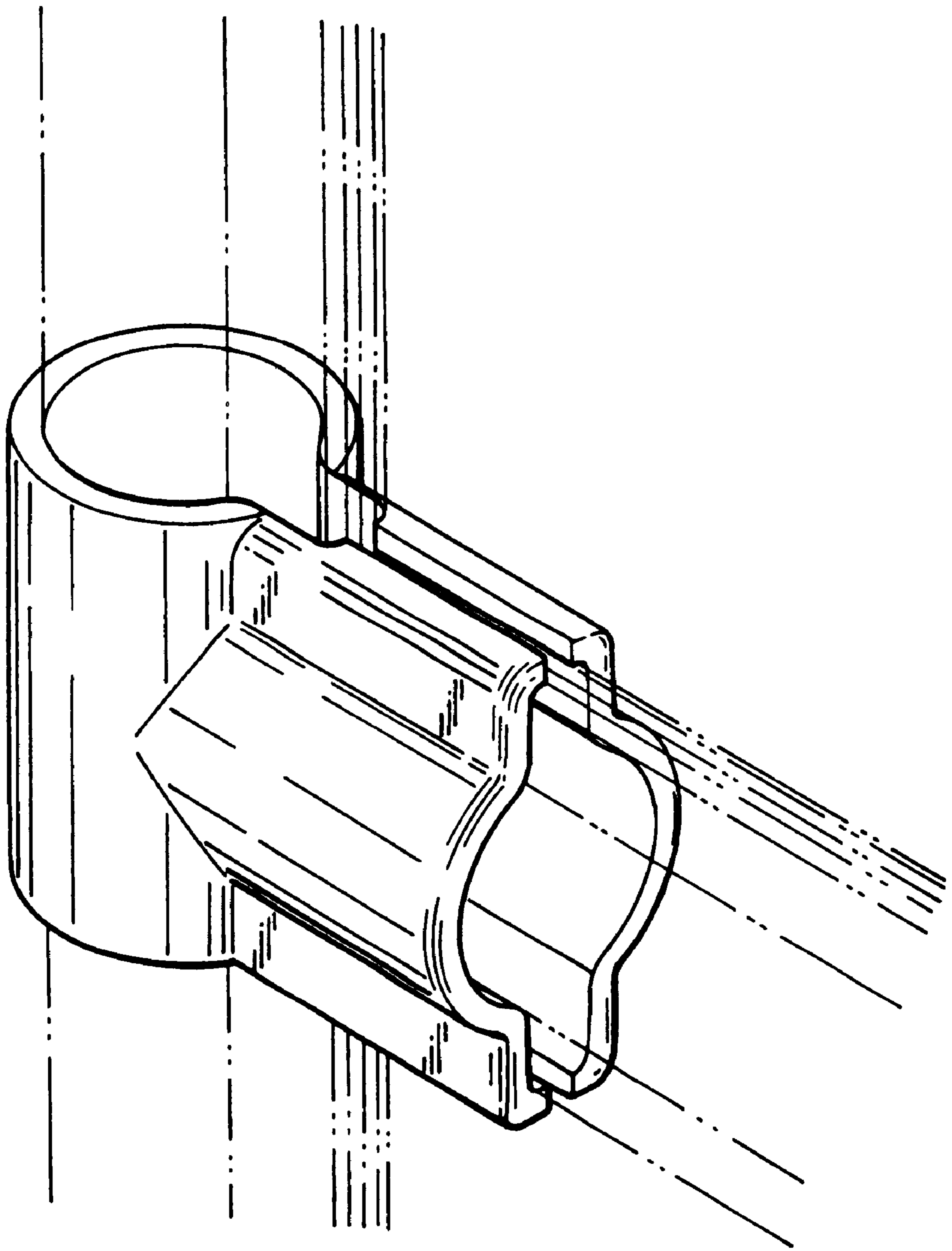


FIG. 10

