



US00D418395S

United States Patent [19]

Students et al.

[11] Patent Number: Des. 418,395

[45] Date of Patent: ** Jan. 4, 2000

[54] **EXTRUDED PLASTIC BAND FOR USE IN AN ULTRASONIC TENSIONING, WELDING AND CUTTING TOOL**

[75] Inventors: **John J. Students**, Collierville; **Peter M. Wells, Jr.**, Germantown, both of Tenn.

[73] Assignee: **Thomas & Betts International, Inc.**, Sparks, Nev.

[**] Term: **14 Years**

[21] Appl. No.: **29/081,029**

[22] Filed: **Dec. 22, 1997**

[51] **LOC (7) Cl.** **08-05**

[52] **U.S. Cl.** **D8/356**

[58] **Field of Search** D15/138; D8/356; 156/73; 24/16 R, 17 A, 20 R, 22, 20 EE, 26 TT, 16 PB, DIG. 16

[56] References Cited

U.S. PATENT DOCUMENTS

D. 363,212	10/1995	Hill	D8/356 X
2,382,177	8/1945	Schanz	.	
3,620,896	11/1971	Glasgow	.	
3,777,334	12/1973	Countryman	.	
3,943,608	3/1976	Farkas	.	
3,959,432	5/1976	Wiley	.	
3,996,646	12/1976	Caveney	.	

4,048,697	9/1977	Duenser	24/20 EE
4,130,686	12/1978	Takahashi et al.	.	
4,483,669	11/1984	Hahn et al.	.	
4,565,725	1/1986	Spamer et al.	.	
4,825,512	5/1989	Tremper et al.	24/20 EE
4,872,242	10/1989	Allan	.	
5,096,647	3/1992	Hopperdietzel	.	
5,103,534	4/1992	Caveney	.	
5,171,499	12/1992	Cehelnik et al.	.	
5,173,141	12/1992	Leseman et al.	.	

Primary Examiner—Antoine Duval Davis
Attorney, Agent, or Firm—Hoffmann & Baron, LLP

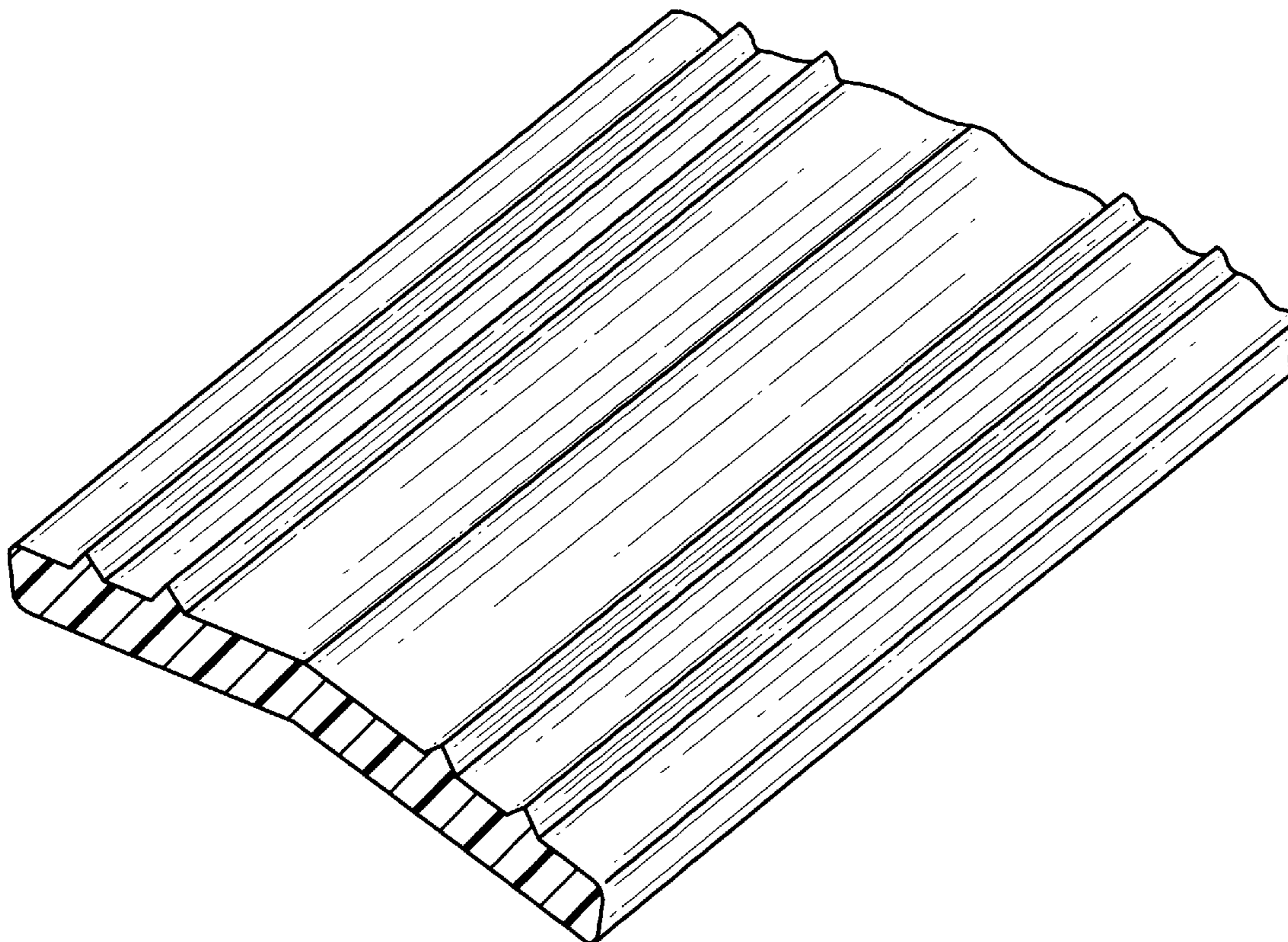
[57] CLAIM

The ornamental design for an extruded plastic band for use in an ultrasonic tensioning, welding and cutting tool, as shown and described.

DESCRIPTION

FIG. 1 is a top perspective view of a section of an extruded plastic band for use in an ultrasonic tensioning, welding and cutting tool showing our new design; FIG. 2 is a top plan view thereof; FIG. 3 is a vertical cross-sectional view thereof; FIG. 4 is a side view thereof; FIG. 5 is a bottom plan view thereof; FIG. 6 is an end view thereof; and, FIG. 7 is a perspective view wherein the phantom lines indicate that my new design has indefinite length.

1 Claim, 5 Drawing Sheets



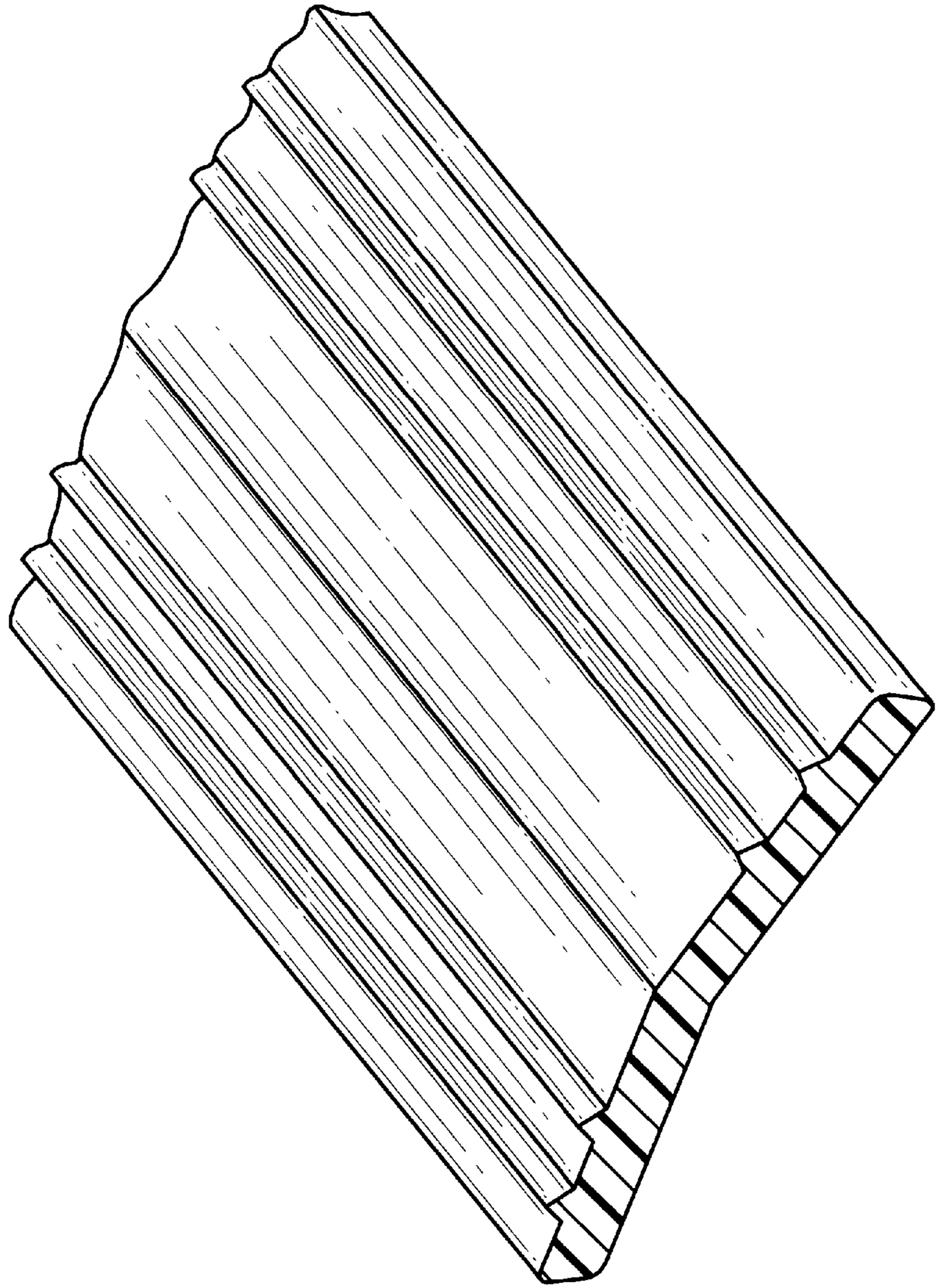


FIG-1

FIG-2

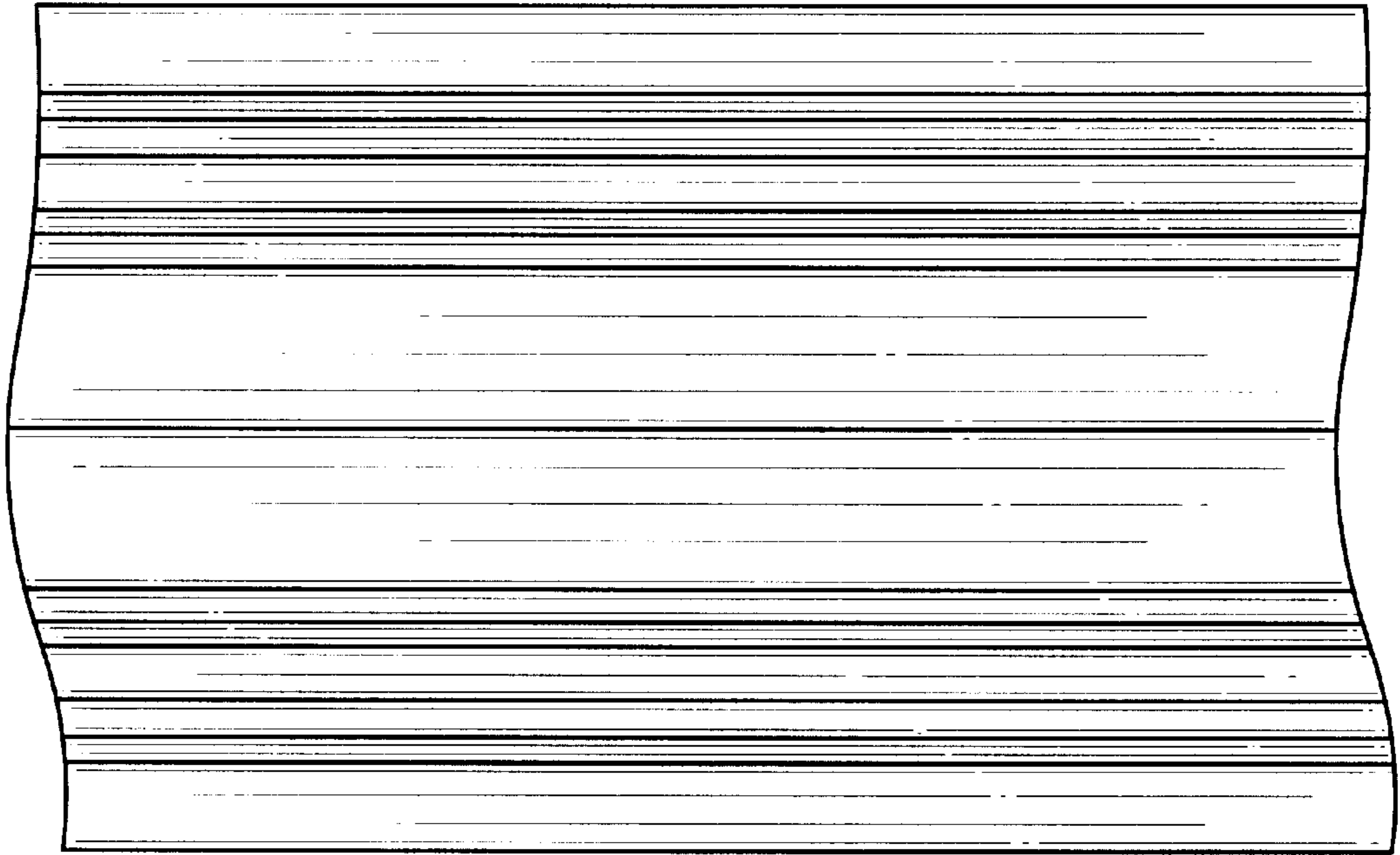


FIG-3

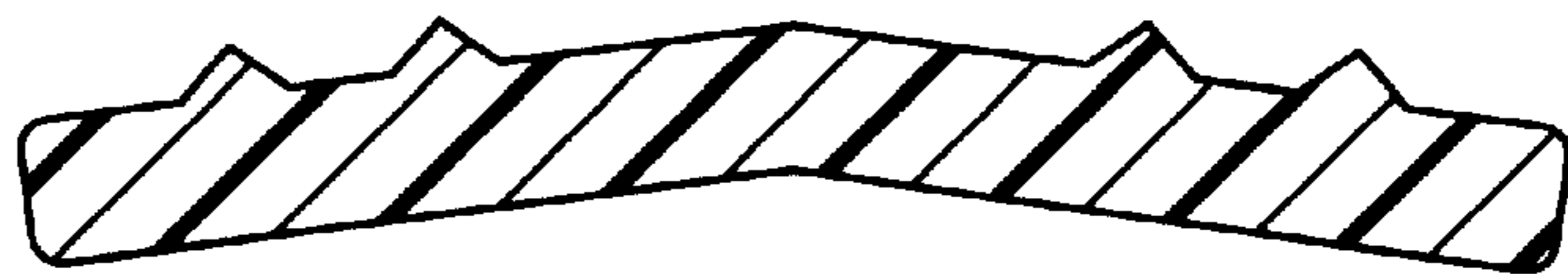


FIG-4



FIG-5

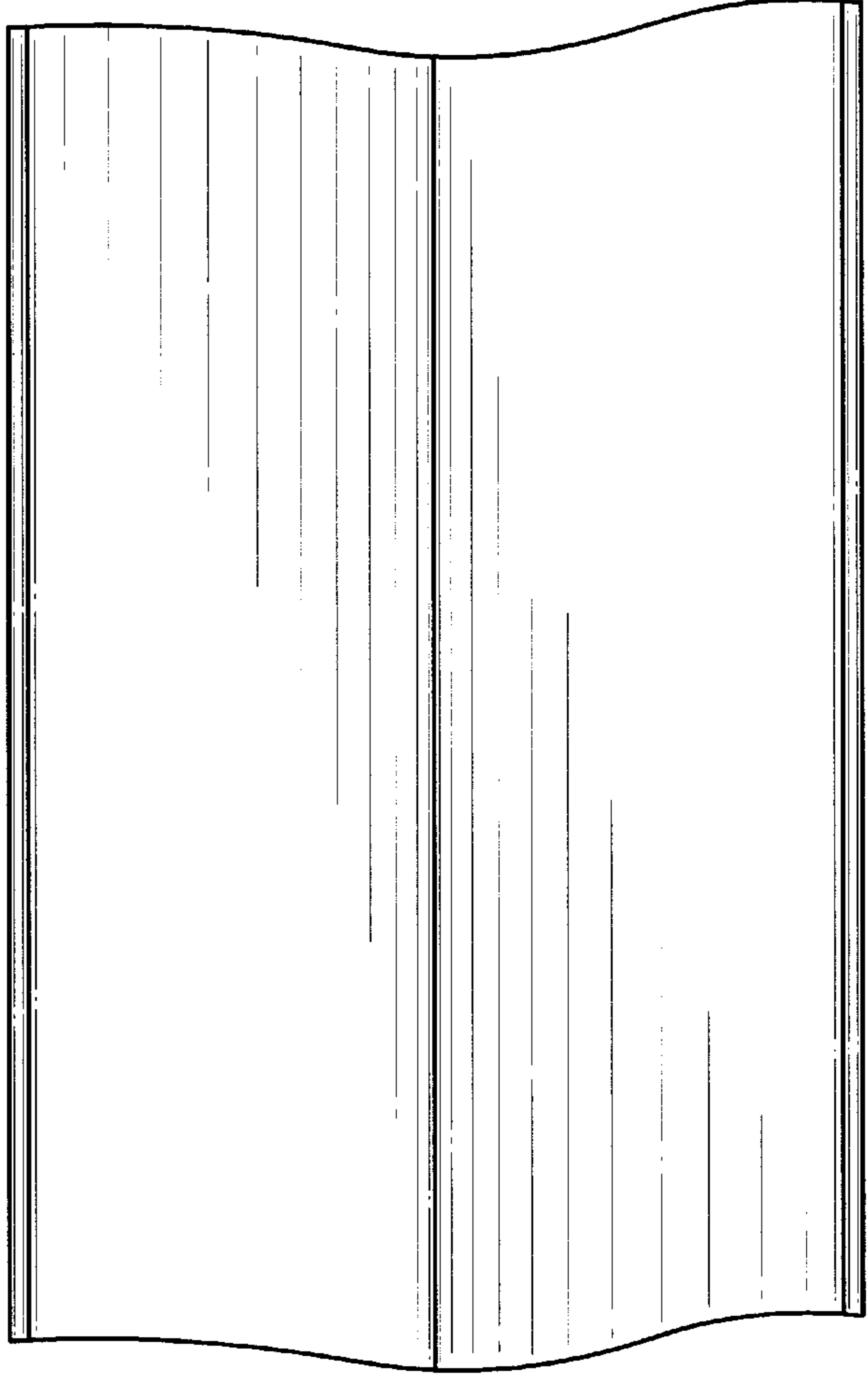
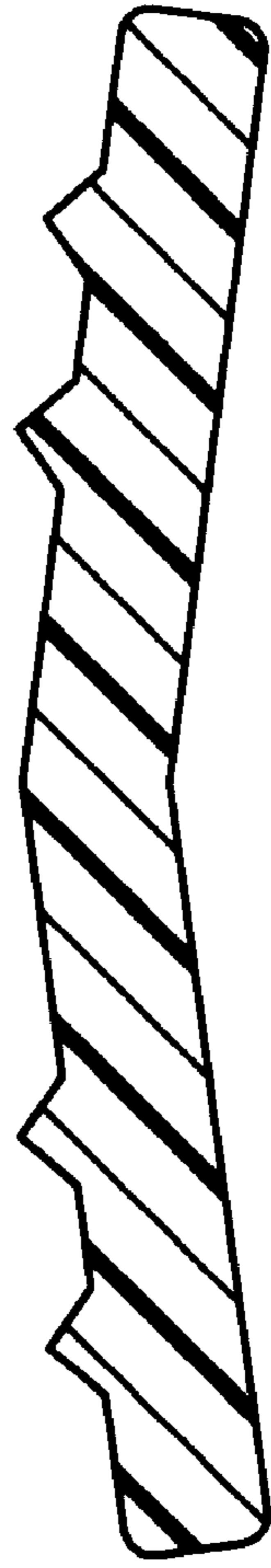


FIG-6



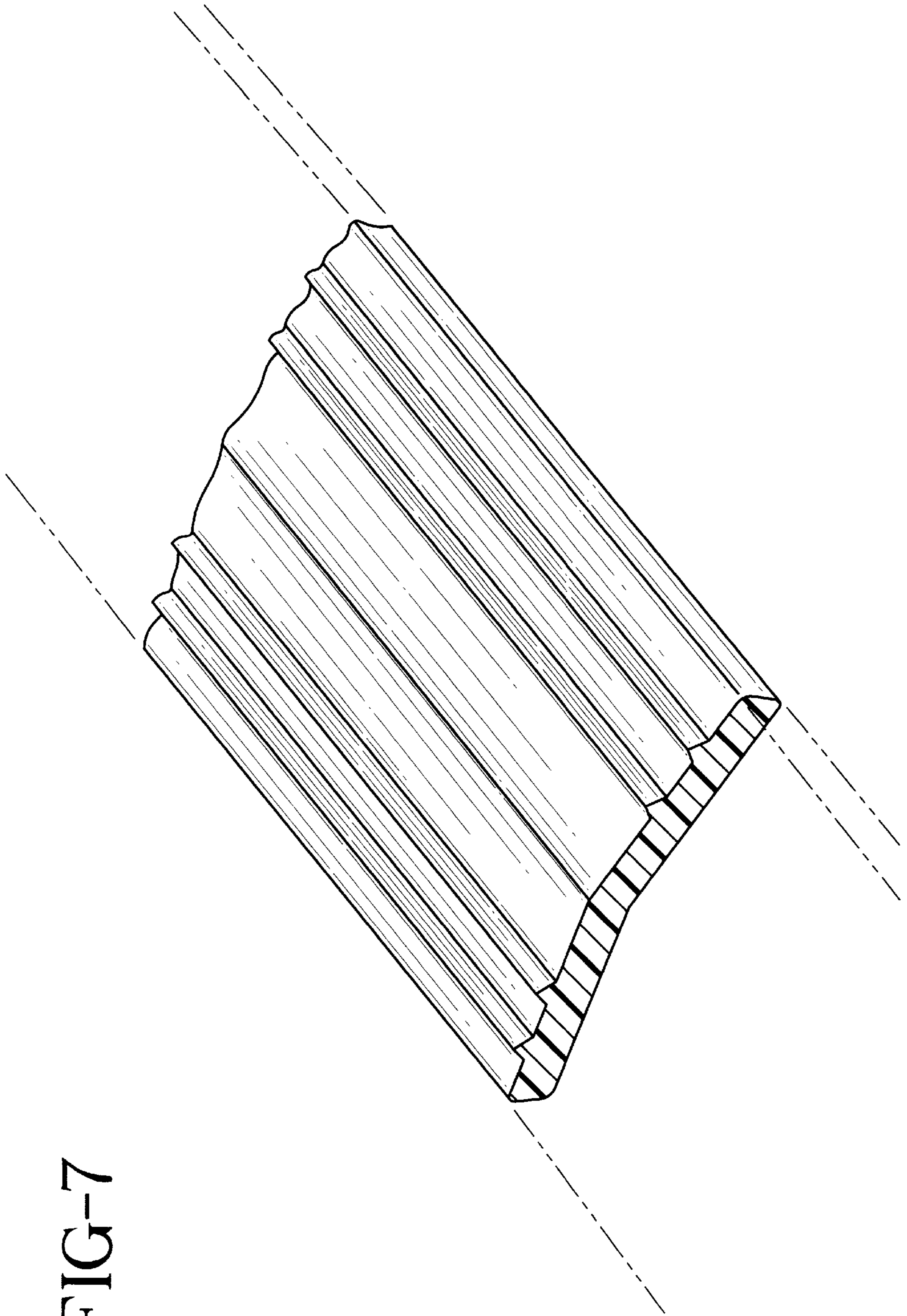


FIG-7