



US00D418393S

United States Patent [19]
Proctor

[11] **Patent Number: Des. 418,393**
[45] **Date of Patent: ** Jan. 4, 2000**

[54] **BRACKET**

D. 367,418 2/1996 Lathrop D8/349

[76] Inventor: **Gary Proctor**, 821 Tavern Rd., Alpine, Calif. 91901

Primary Examiner—Holly Baynham
Attorney, Agent, or Firm—Charles C. Logan, II

[**] Term: **14 Years**

[57] **CLAIM**

[21] Appl. No.: **29/094,252**

The ornamental design for a bracket, as shown and described.

[22] Filed: **Sep. 29, 1998**

DESCRIPTION

[51] **LOC (7) Cl.** **08-05**

[52] **U.S. Cl.** **D8/354**

[58] **Field of Search** D8/349, 354; 248/300, 248/27.1, 215, 230

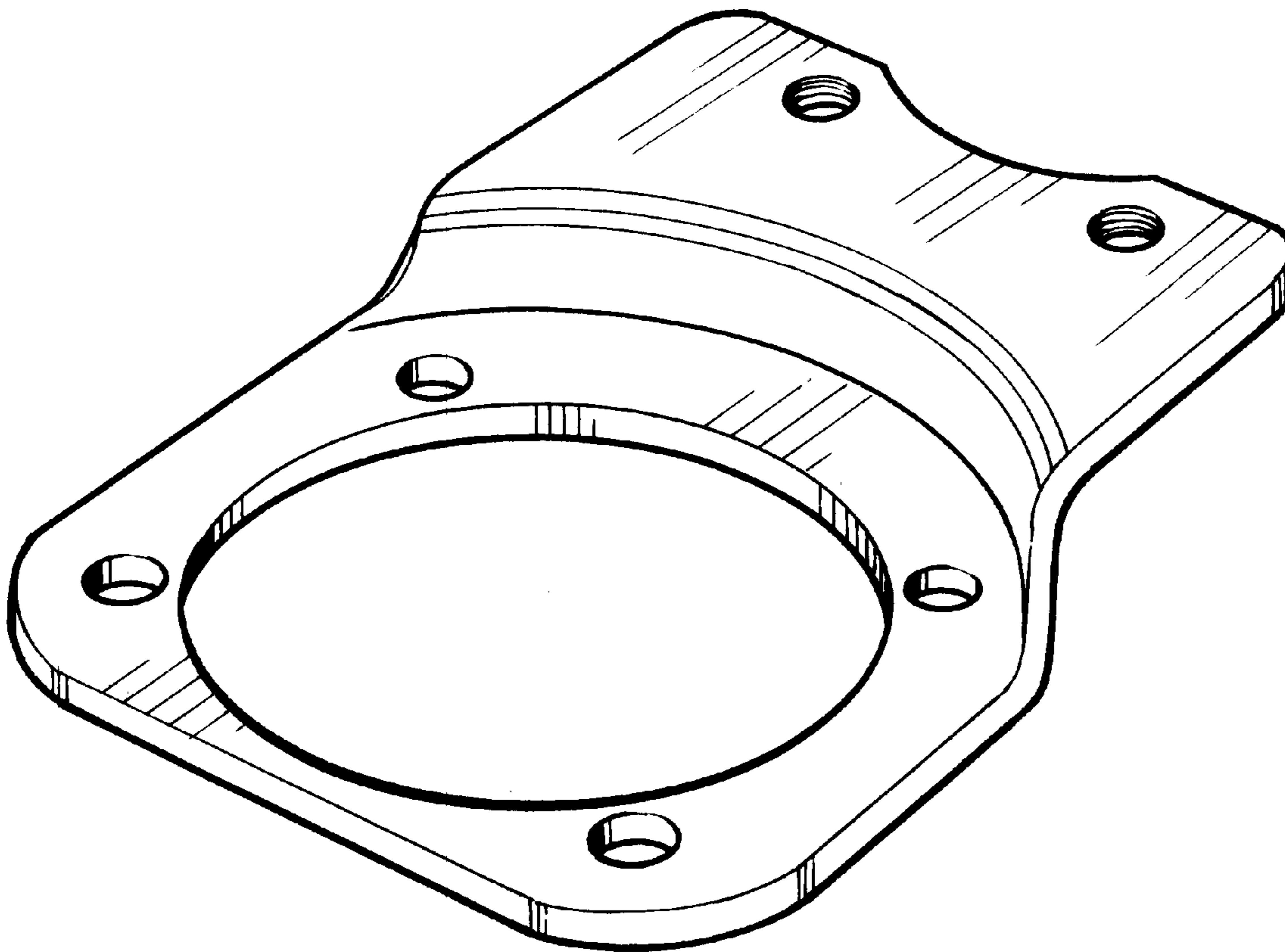
FIG. 1 is a front perspective view of the novel bracket; FIG. 2 is a reduced scale front elevation view; FIG. 3 is a top plan view thereof; FIG. 4 is a bottom plan view thereof; FIG. 5 is a rear elevation view thereof; and, FIG. 6 is a right side elevation view thereof and the left side elevation view is identical but reversed.

[56] **References Cited**

U.S. PATENT DOCUMENTS

- D. 214,590 7/1969 Corson et al. D8/354
- D. 215,408 9/1969 Drugmand D8/354

1 Claim, 1 Drawing Sheet



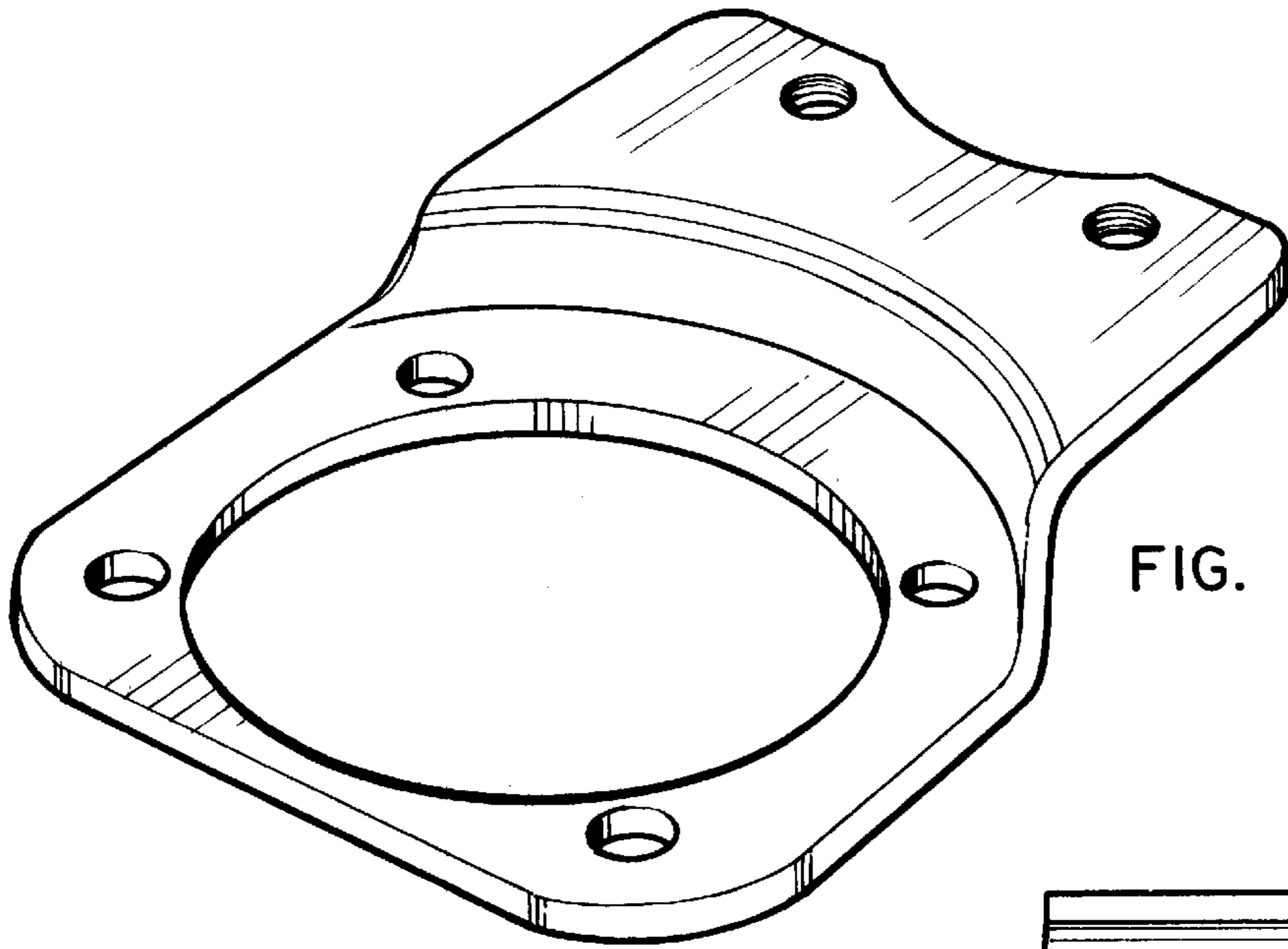


FIG. 1

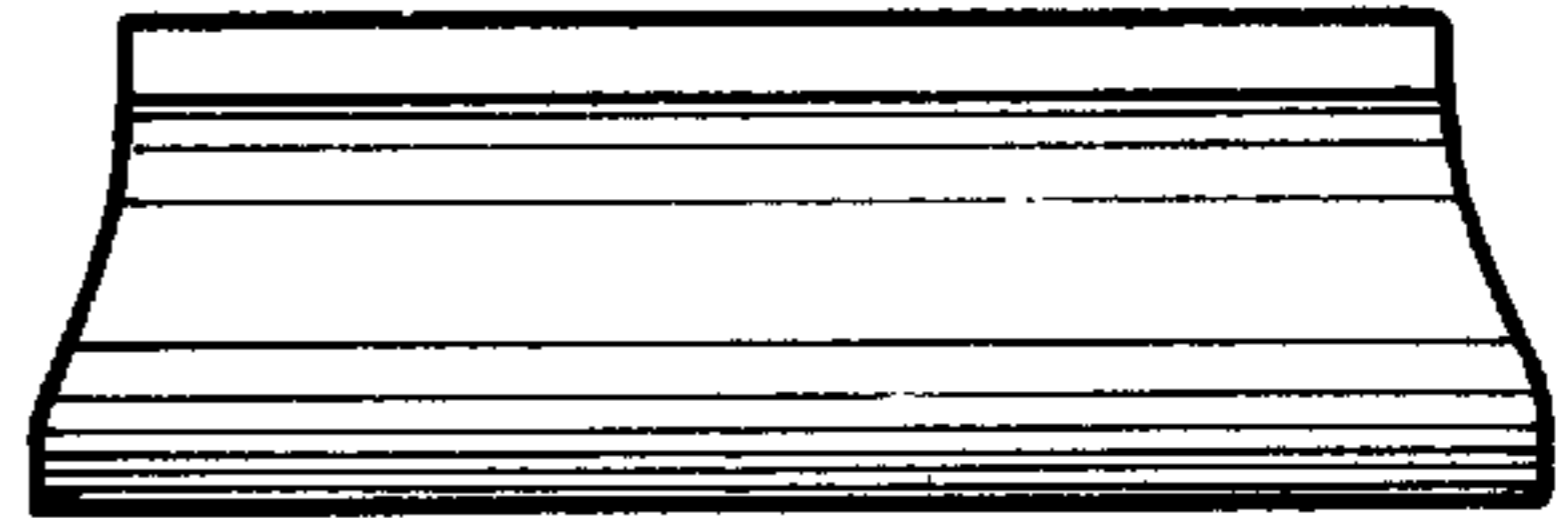


FIG. 2

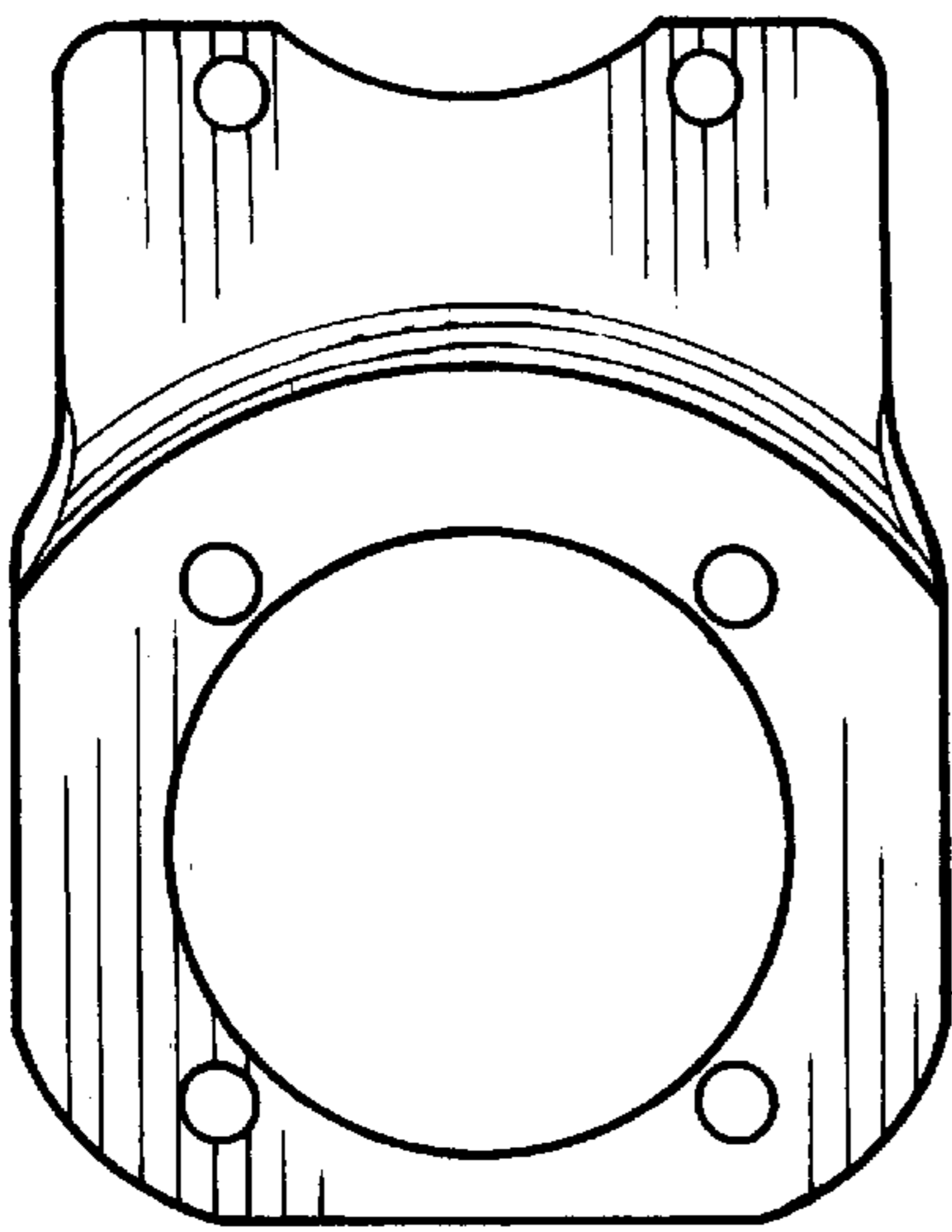


FIG. 3

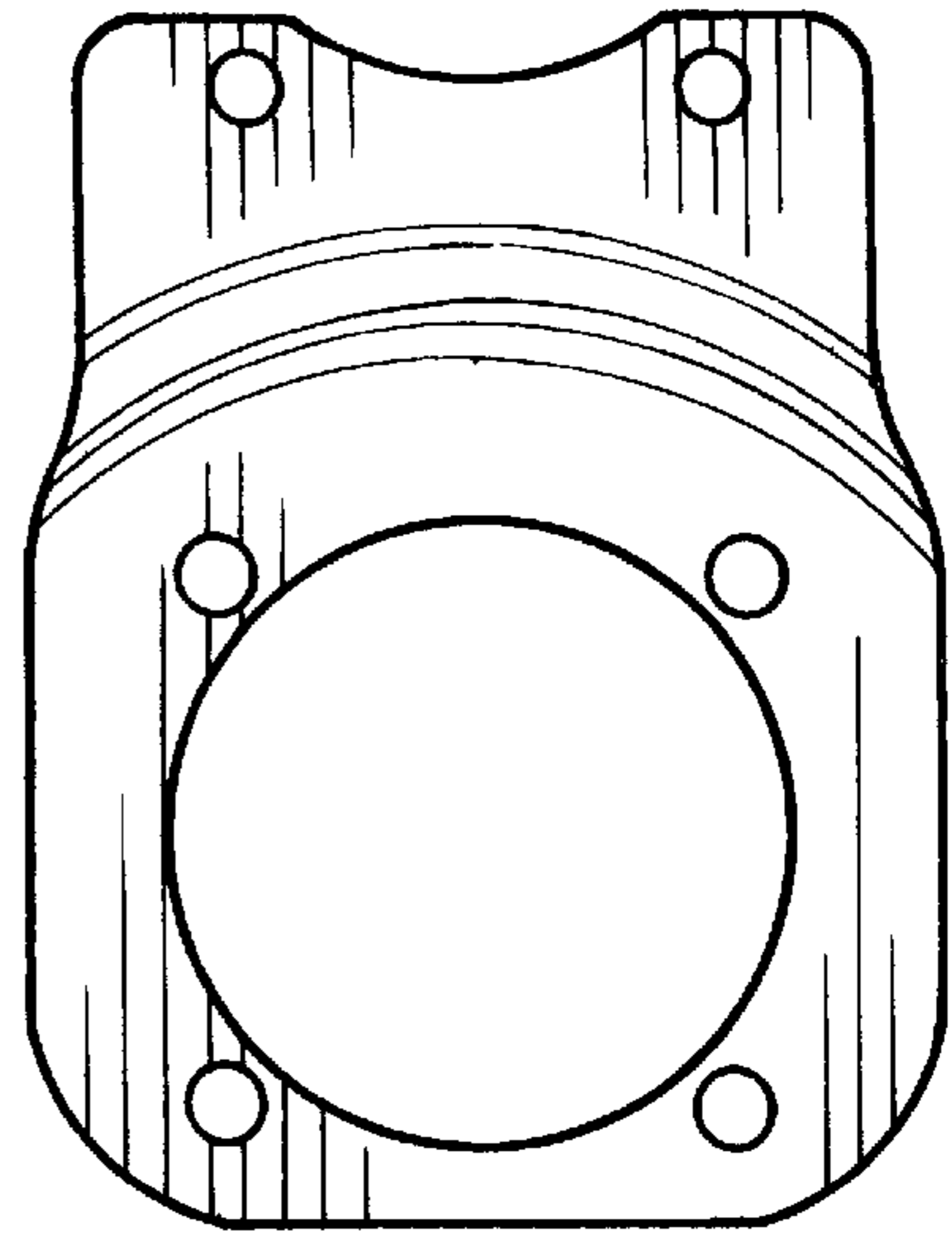


FIG. 4

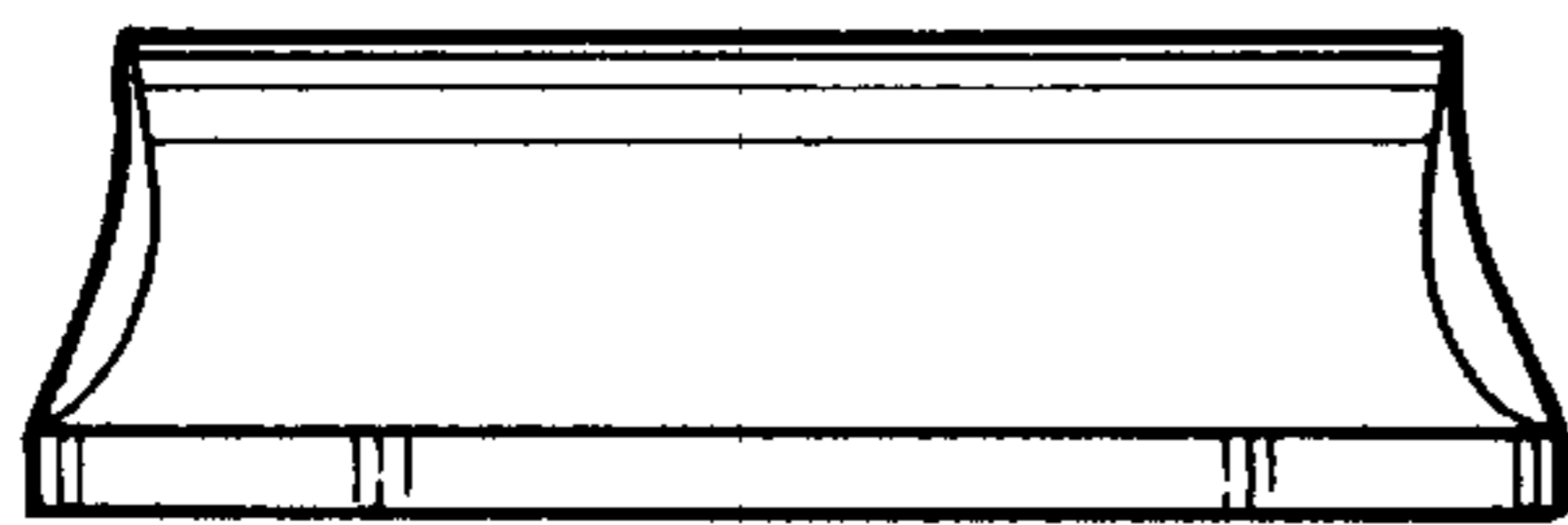


FIG. 5

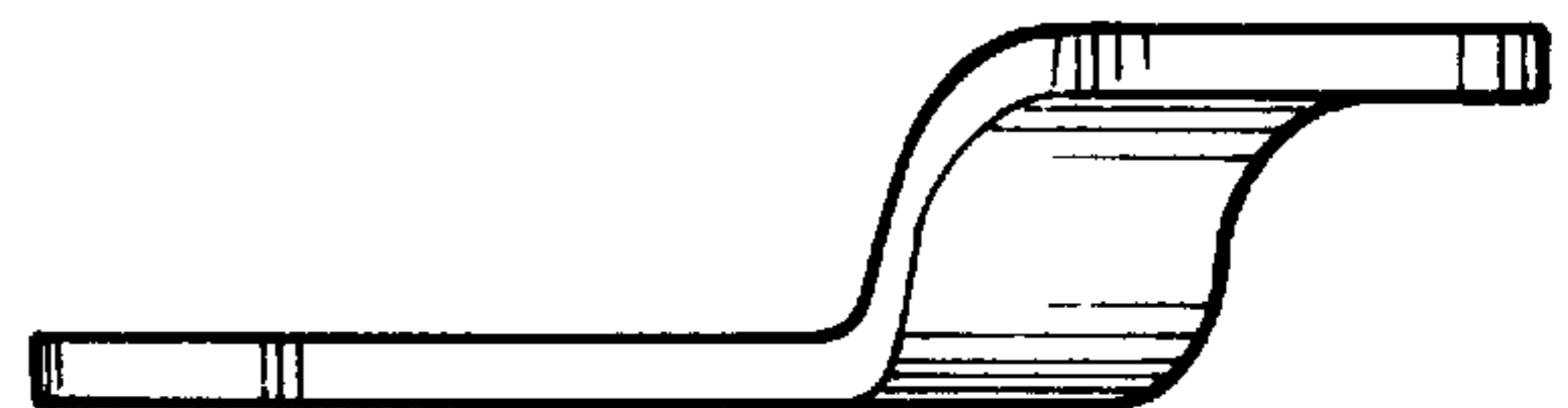


FIG. 6