



US00D418391S

United States Patent [19]

Tsai

[11] Patent Number: Des. 418,391

[45] Date of Patent: ** Jan. 4, 2000

[54] TIRE LOCK

5,706,682 1/1998 Barker et al. 70/226

[76] Inventor: Ching-Tien Tsai, No. 3, Lane 288,
Hsi-Shu Rd., Tainan, Taiwan

Primary Examiner—Susan J. Lucas
Assistant Examiner—Jennifer Rivard
Attorney, Agent, or Firm—Rosenberg, Klein & Lee

[**] Term: 14 Years

[57] CLAIM

[21] Appl. No.: 29/099,430

The ornamental design for a tire lock, as shown and described.

[22] Filed: Jan. 21, 1999

[51] LOC (7) Cl. 08-07

DESCRIPTION

[52] U.S. Cl. D8/330; D8/339; D8/341

FIG. 1 is a perspective view of a tire lock showing my present design;

[58] Field of Search D8/330, 331, 339,
D8/341; 224/42.25, 42.26; 70/225, 226,
258, 259, 260, 18, 14; 188/32

FIG. 2 is a front view thereof;

FIG. 3 is a rear view thereof;

FIG. 4 is a left view thereof;

FIG. 5 is a right view thereof;

FIG. 6 is a top plan view thereof; and,

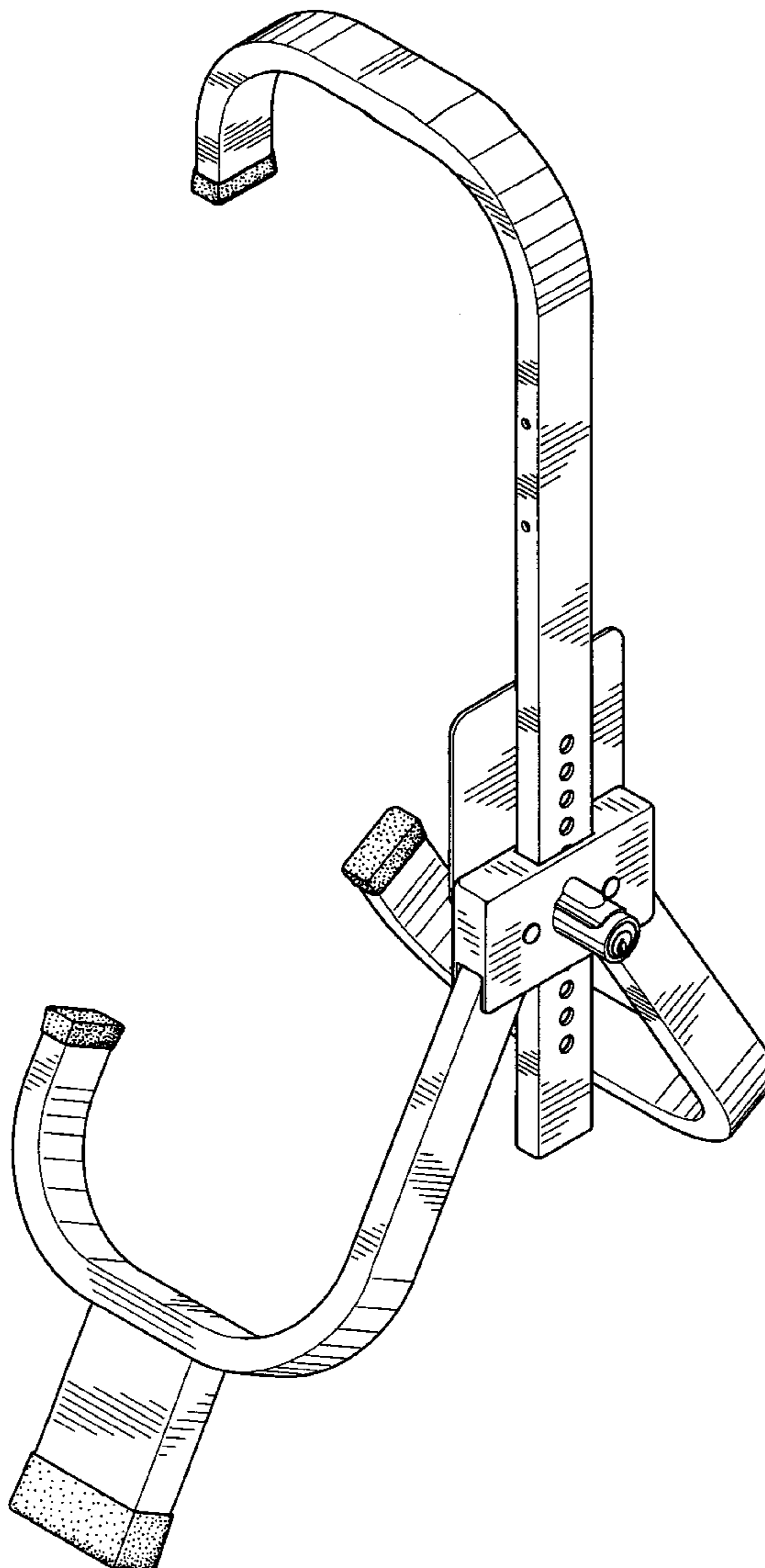
FIG. 7 is a bottom plan view.

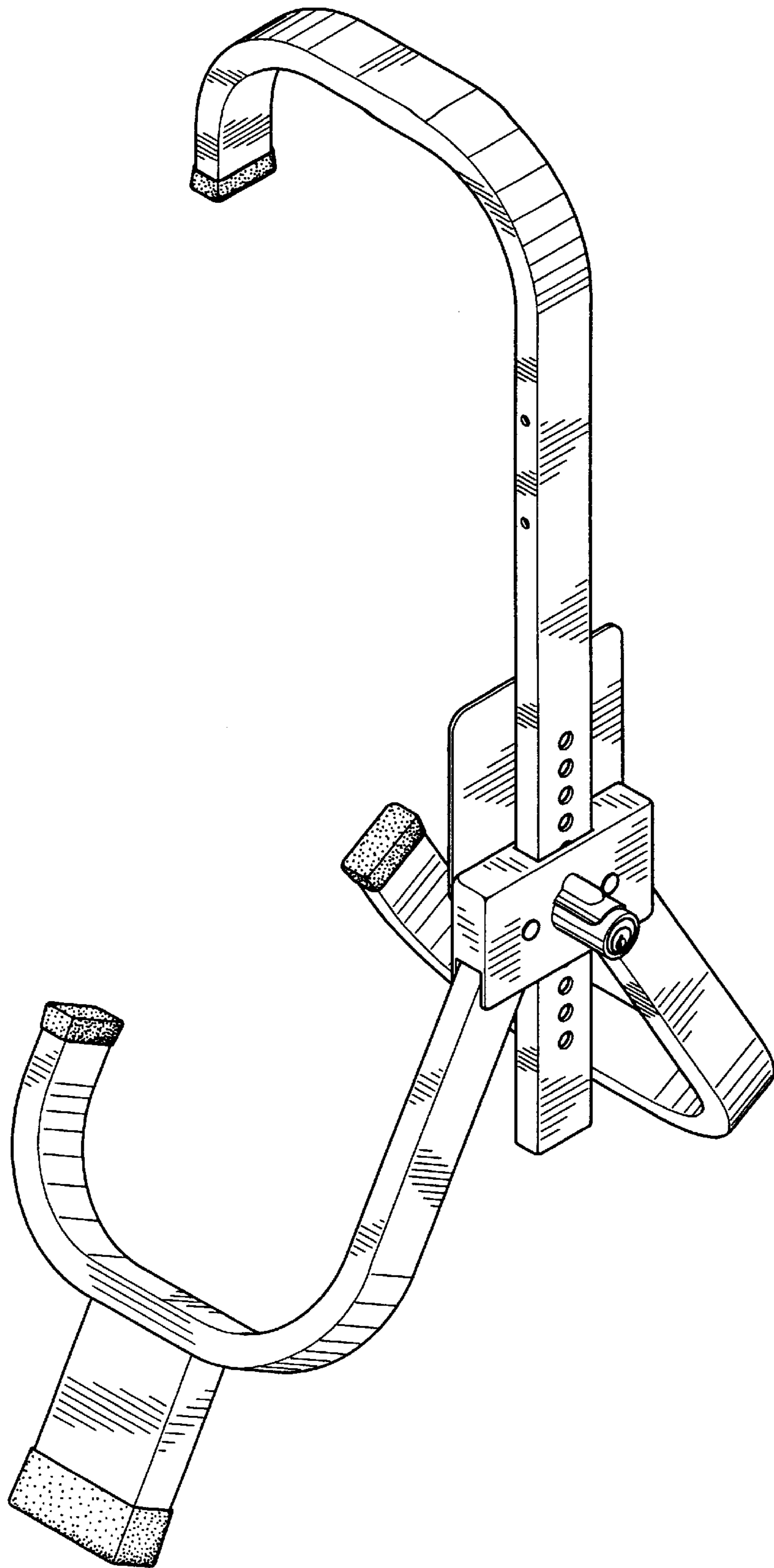
[56] References Cited

U.S. PATENT DOCUMENTS

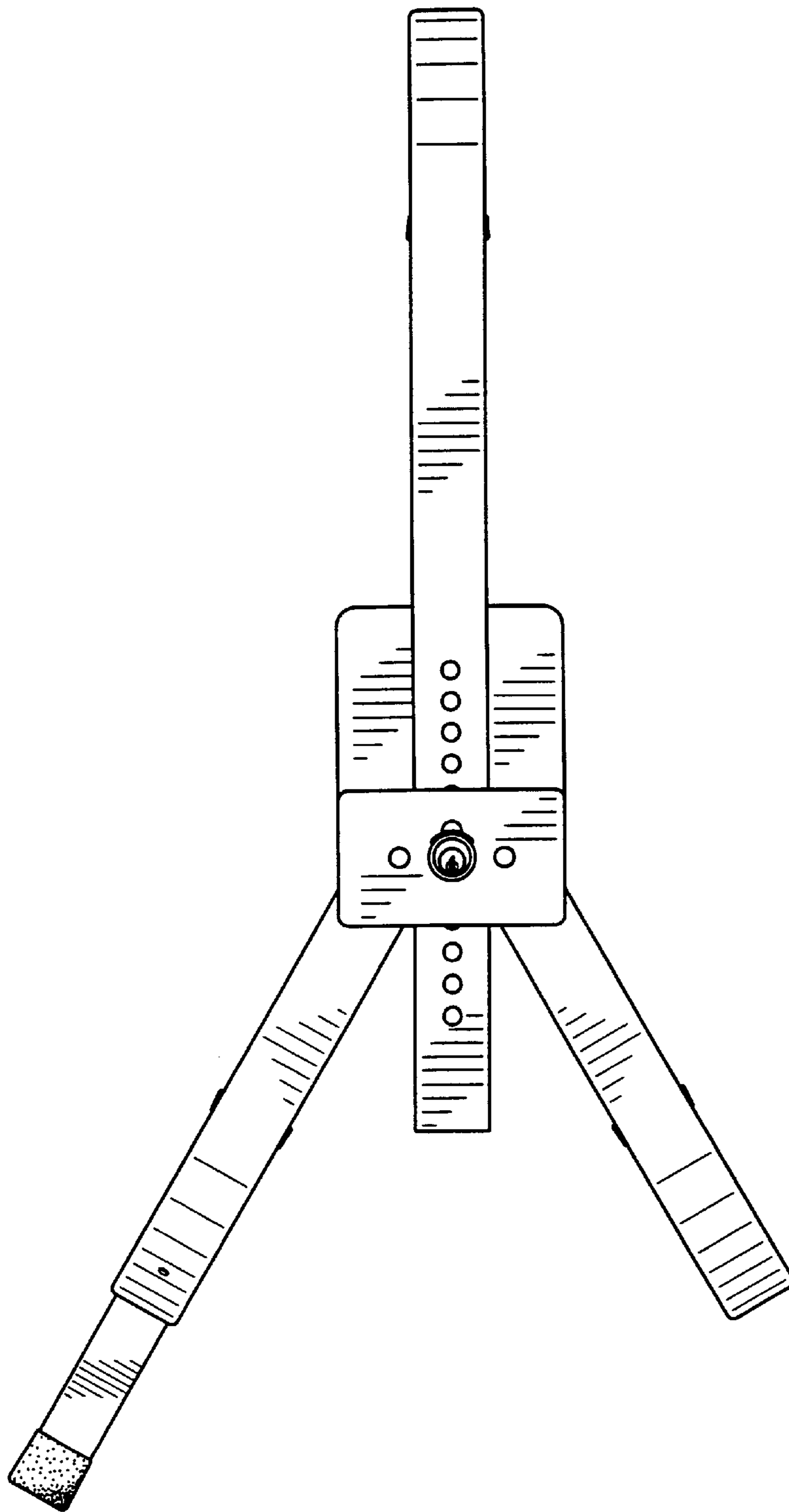
1,577,792	3/1926	Duck et al.	224/42.25
4,913,265	4/1990	Richards	188/32
5,333,477	8/1994	Davis	70/226

1 Claim, 6 Drawing Sheets

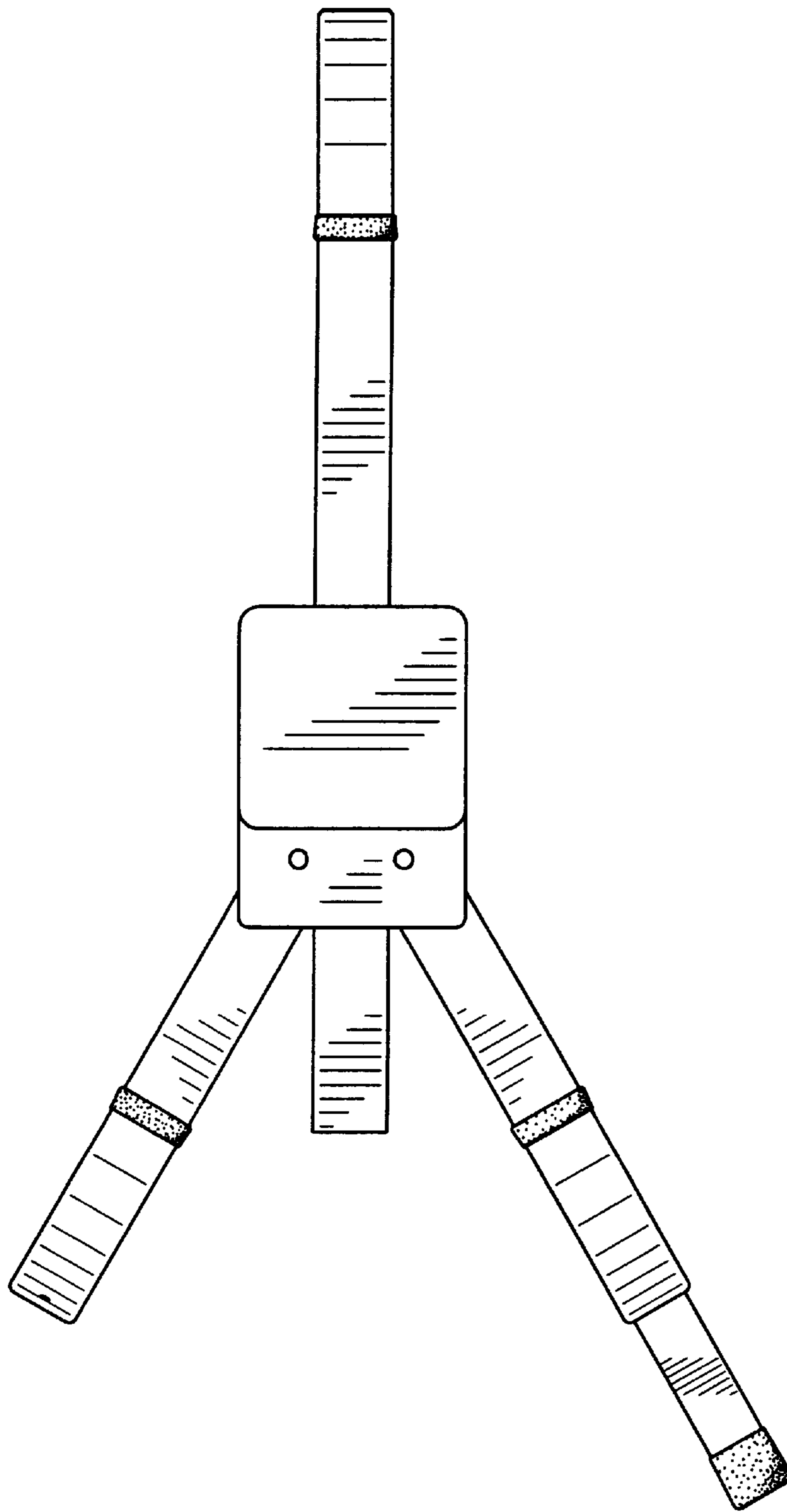




F I G . 1



F I G . 2



F I G . 3

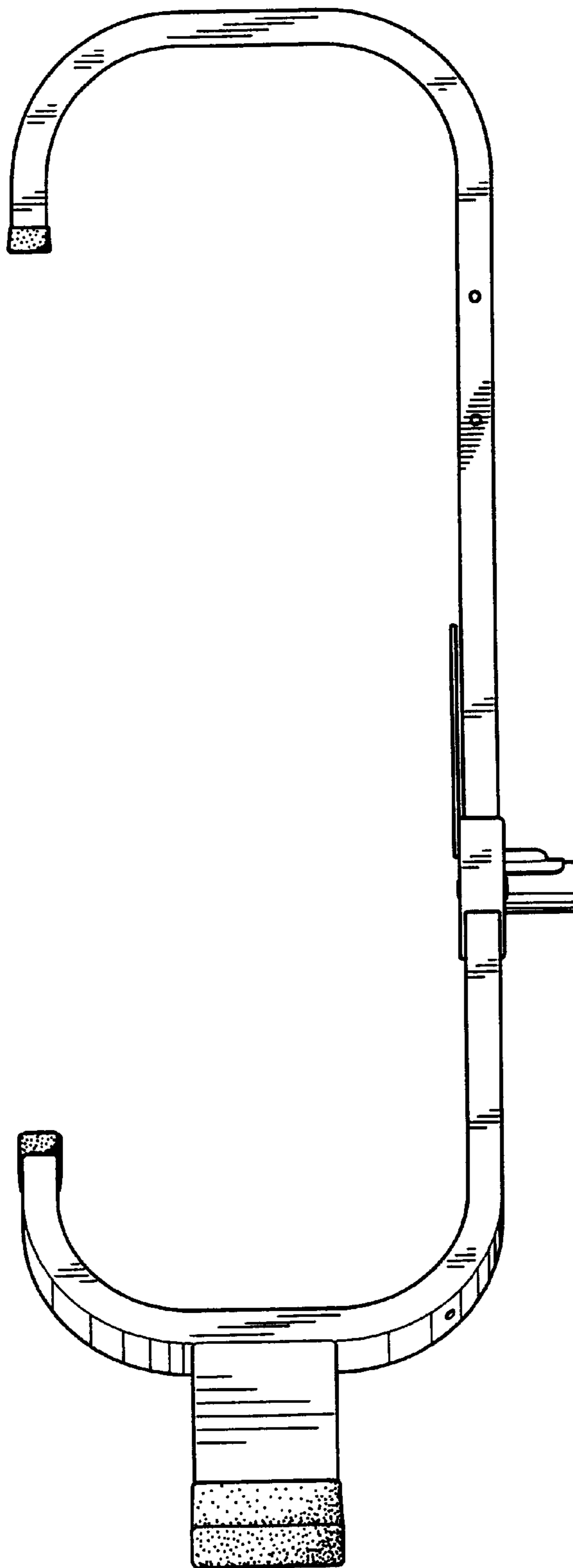


FIG. 4

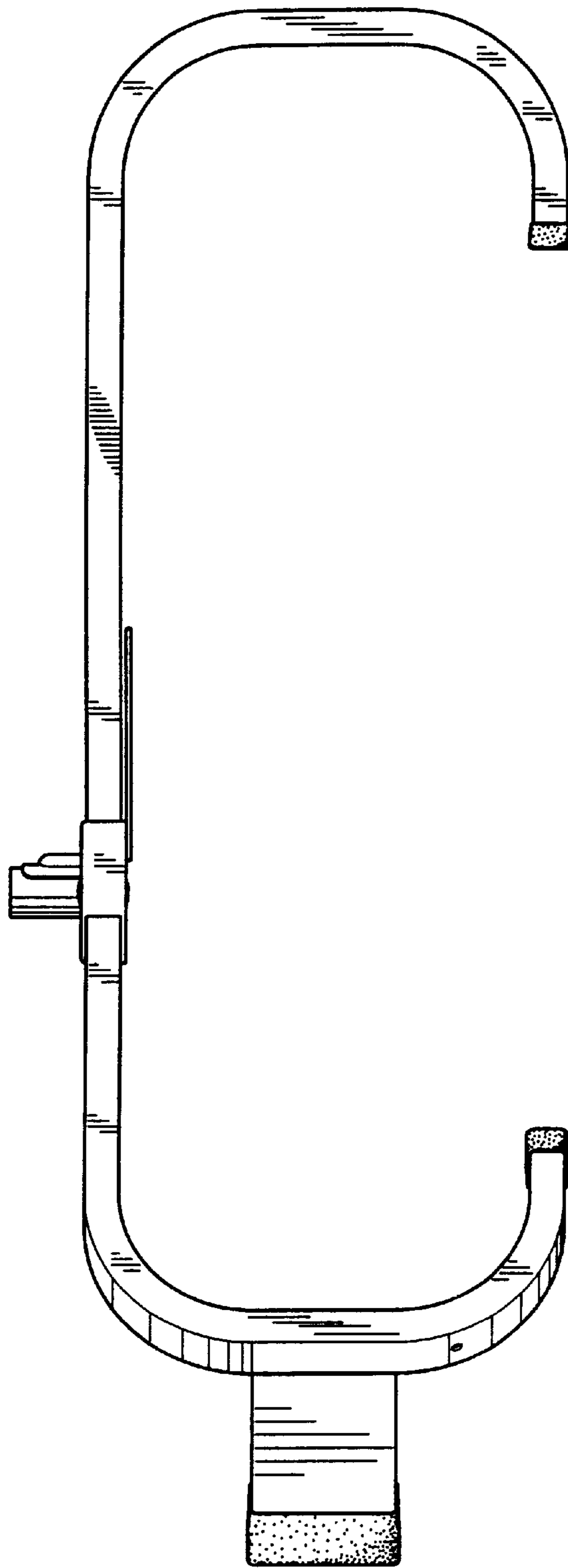
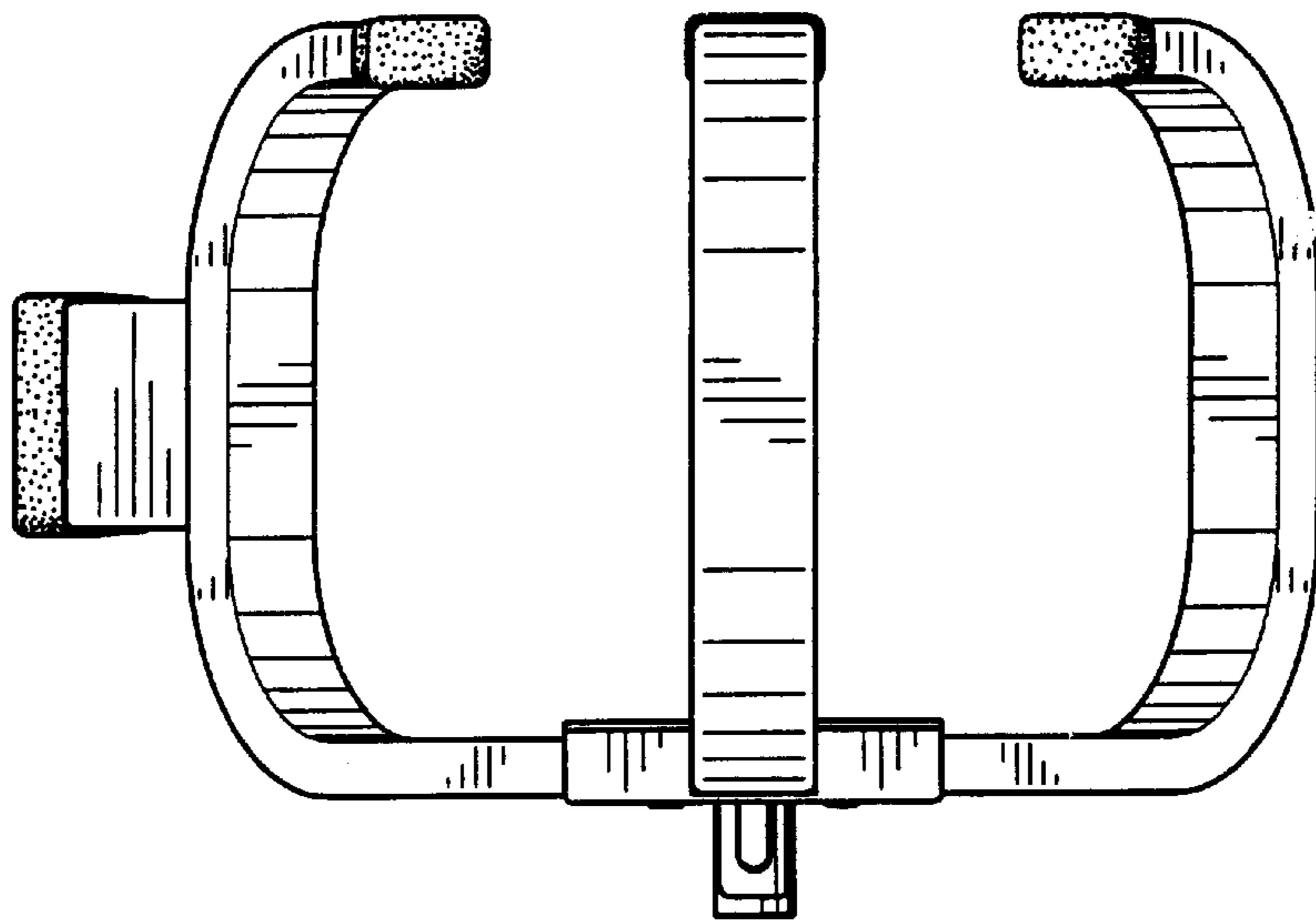
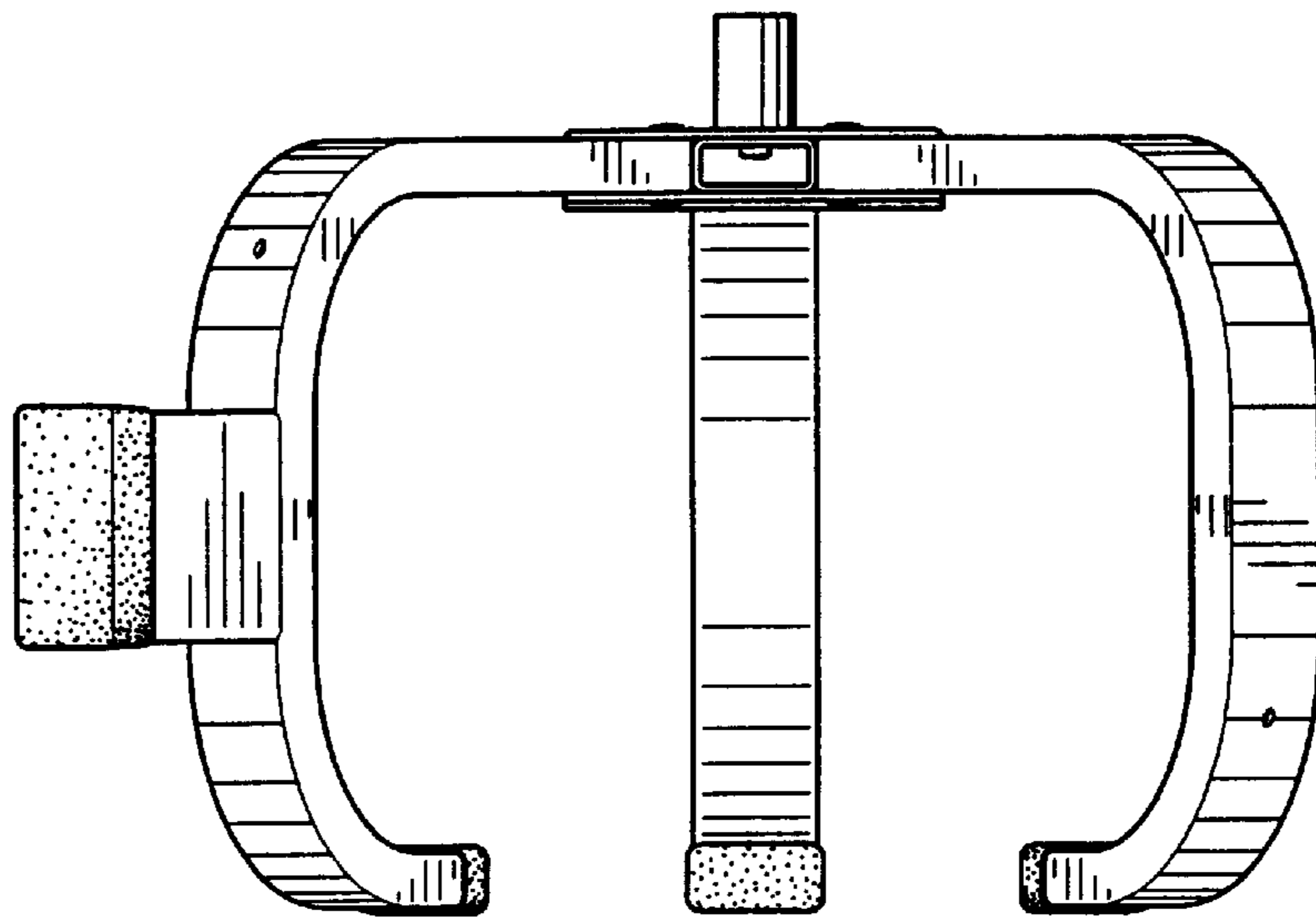


FIG. 5



F I G . 6



F I G . 7